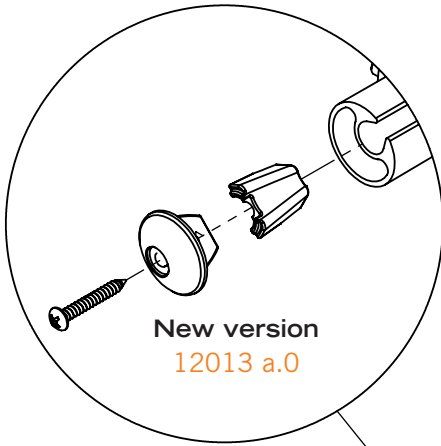
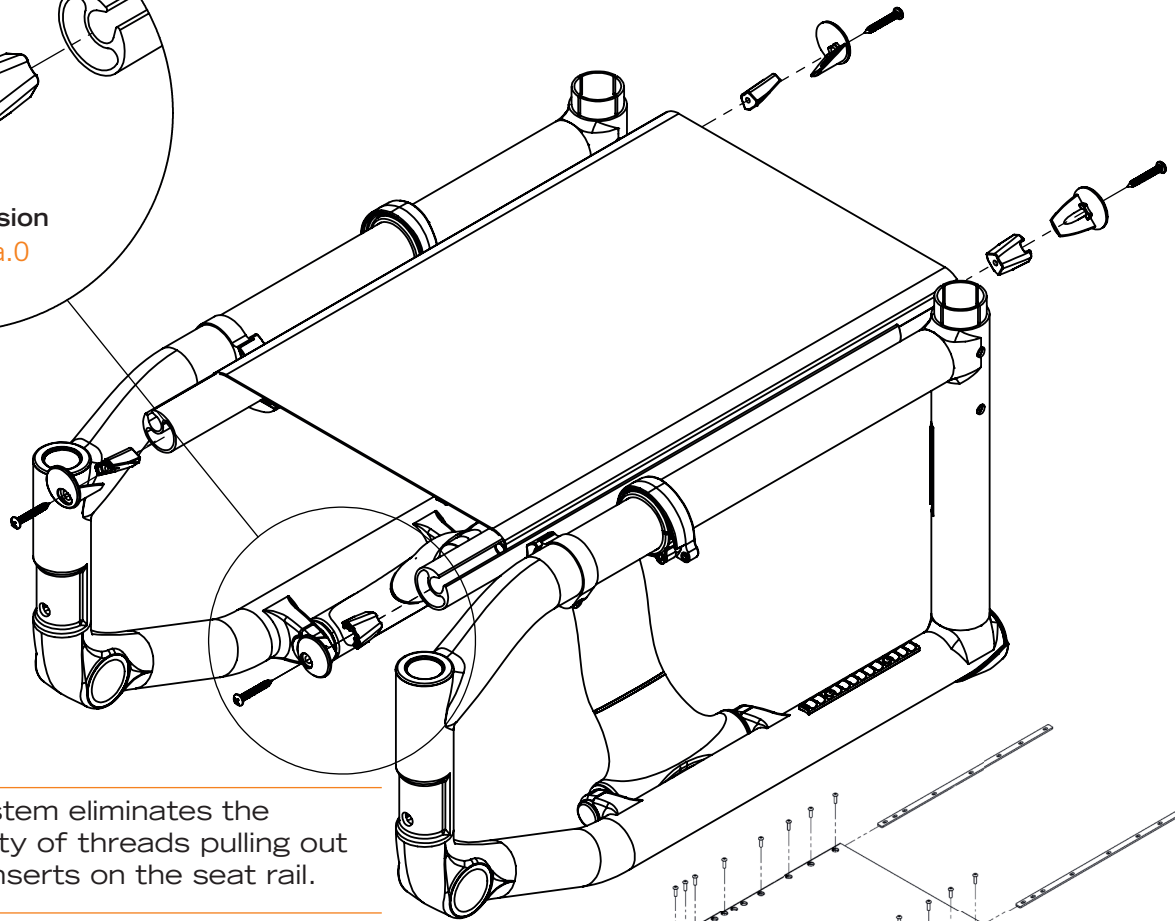




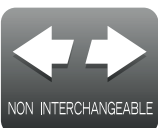
New slotted seat rail system



New version
12013 a.0

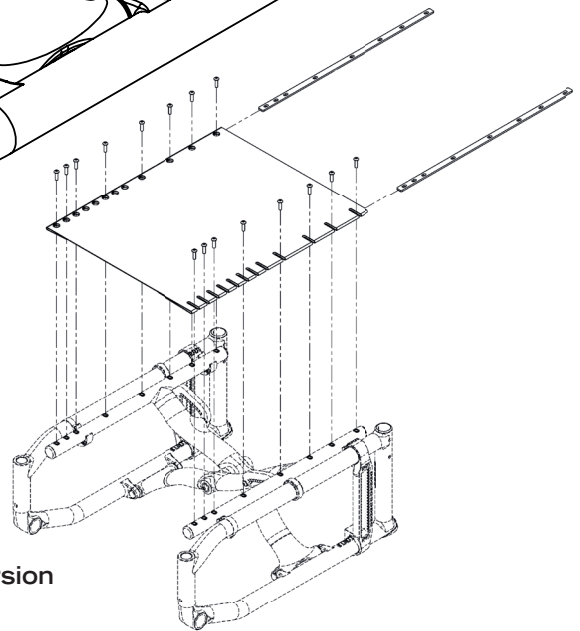


- The system eliminates the possibility of threads pulling out of the inserts on the seat rail.
- Requires a sliding seat sling and removable caps at both extremities.
- The new system is not compatible with the previous system hardware.



Compatibility:

VELOCE HELIO C2 HELIO A HELIO kids MOVE



Previous version