



VELOCE

ORDER FORM - CANADA

P.O. number: * _____ Date: _____

Company Name: * _____ Phone: * _____

Ordered by: * _____

Clinician/ATP/RTS: _____

Email: _____

Marked for: _____

Ship to: * _____

Name: _____

Address: _____

City: _____ Prov: _____

Postal Code: _____

Phone: _____

* Required VEMA080 English Manual (STD) VEMA081 Manuel Français Taxes not included

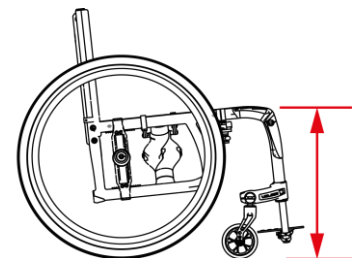
MODEL										
1	VEWC20	Ultralight VELOCE Wheelchair (265 lb weight limit)						\$4 495	<input type="checkbox"/>	
2	VEWC09	HD Heavy Duty package (350 lb weight capacity)						\$170	<input type="checkbox"/>	
3	VEWC10	E-Motion adaptor Kit (2 adaptors)						\$75	<input type="checkbox"/>	
SEAT WIDTH ³										
4	VESW	Seat width:	14" <input type="checkbox"/>	15" <input type="checkbox"/>	16" <input type="checkbox"/>	17" <input type="checkbox"/>	18" ² <input type="checkbox"/>		NC	<input type="checkbox"/>
5	VESW	Seat width:	19" ² <input type="checkbox"/>	20" ² <input type="checkbox"/>					\$338	<input type="checkbox"/>
SEAT DEPTH										
6	VESD	Seat depth:	14" ¹ <input type="checkbox"/>	15" ¹ <input type="checkbox"/>	16" <input type="checkbox"/>	17" <input type="checkbox"/>	18" <input type="checkbox"/>		NC	<input type="checkbox"/>
7	VESD	Seat depth:	19" <input type="checkbox"/>	20" <input type="checkbox"/>					\$255	<input type="checkbox"/>

1 Depth achieved with shorter seat sling. 2: Available with HD option 3. Width calculator

FRAME LENGTH									
8	VESP01	Standard frame length configuration						STD	<input type="checkbox"/>
9	VESP02	Frame length 1" longer than standard configuration						NC	<input type="checkbox"/>
10	VESP03	Frame length 2" longer than standard configuration						NC	<input type="checkbox"/>
11	VESP04	Frame length 1" shorter than standard configuration						NC	<input type="checkbox"/>
12	VESP05	Frame length 2" shorter than standard configuration						NC	<input type="checkbox"/>

FRONT Seat-to-floor height

Caster sizes	Height available +/- 1/4"	
3" Caster	14" to 21"	Specify desired height: _____ (inches)
4" Caster	14.5" to 21"	
5" Caster	15.5" to 21"	
6" Caster	16.5" to 21" (N/A with 90° front frame)	



CASTERS									
13	VECA01	Composite wheel w/ PU tire (1" width)	3" <input type="checkbox"/>	4" <input type="checkbox"/>	5" <input type="checkbox"/>	6" <input type="checkbox"/>		NC	<input type="checkbox"/>
14	VECA10	Pneumatic casters 6" x 1 1/4"						\$160	<input type="checkbox"/>
15	VECA14	Newton UltraCaster Soft-Roll Composite	4" x 1 1/2"					\$98	<input type="checkbox"/>
16	VECA15		5" x 1 1/2"					\$98	<input type="checkbox"/>
17	VECA16		6" x 1 1/2"					\$98	<input type="checkbox"/>
18	VECA17		4" x 1 1/2"					\$175	<input type="checkbox"/>
19	VECA18	Newton UltraCaster Soft-Roll Aluminum	5" x 1 1/2"					\$185	<input type="checkbox"/>
20	VECA19		6" x 1 1/2"					\$195	<input type="checkbox"/>

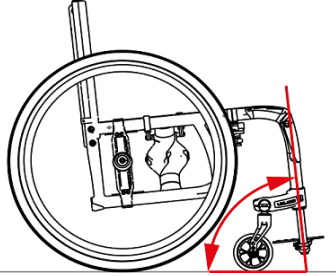
Veloce - REAR Seat-to-floor Height

WHEEL SIZES	Height available	
22" wheel	13 1/2 to 18 1/4	Specify desired height: <hr style="width: 80%; margin: 10px auto;"/>
24" wheel	14 1/2 to 19 1/4	
25" wheel	15 to 19 3/4	
26" wheel	15 1/2 to 20 1/4	

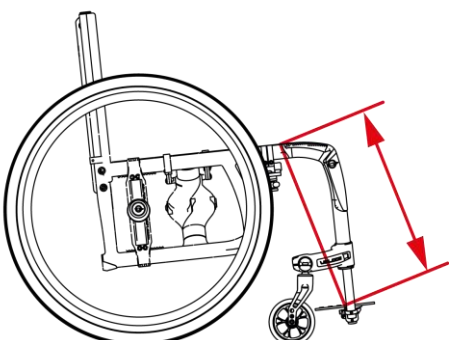
Configuration used: 1" seat slope with a center of gravity at 2"

Note: Tire size, center of gravity setting and seat slope may result in a variation of +/- 1/2" of selected seat to floor height"

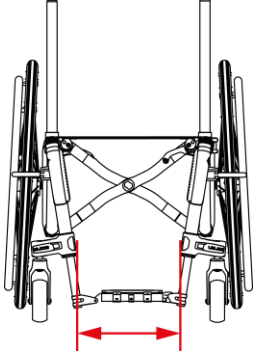
FRONT FRAME ANGLE

21	VEFA70	70° Front frame angle		NC	<input type="checkbox"/>
22	VEFA75	75° Front frame angle		NC	<input type="checkbox"/>
23	VEFA80	80° Front frame angle		NC	<input type="checkbox"/>
24	VEFA85	85° Front frame angle		NC	<input type="checkbox"/>
25	VEFA90	90° Front frame angle		NC	<input type="checkbox"/>

SEAT TO FOOTREST HEIGHT

Set Length to: ¹		<i>Length must be at least 1 3/4" shorter than front seat-to-floor height</i>
1 - + or - 1/2 inches		
		
<i>If not indicated, footrest will be set at 2" from the ground</i>		

Footrest width / Taper selection

Seat Width	Straight	1" Taper	
Outside Measurement	2 1/2" Narrower than Seat Width	4 1/2" Narrower than Seat Width	
14"	11.5"	9.5"	
15"	12.5"	10.5"	
16"	13.5"	11.5"	
17"	14.5"	12.5"	
18"	15.5"	13.5"	
19"	16.5"	14.5"	
20"	17.5"	15.5"	

REAR WHEELS										
55	VERW01	Mag ¹	22" □	24" □					\$129	□
56	VERW02	Newton One - spoke wheel ²	22" □	24" □					NC	□
57	VERW03	Newton Gravity - ultralight wheel	22" □	24" □	25" □	26" □			\$360	□
58	VERW04	Spinergy Spox	22" □	24" □	25" □	26" □			\$800	□
59		Spinergy Spox spokes colors ³ Blk □ <i>STD</i>	Wht □	Blue □	Red □	Yel □			NC	□
60	VERW05	Spinergy LX	22" □	24" □	25" □	26" □			\$995	□
61		Spinergy LX spokes colors ³ Blk □ <i>STD</i>	Pur □	Wht □	Blue □	Red □	Yel □	Pink □	Grn □	Org □
62	VERW07	Spinergy CLX Carbon Blade		24" □	25" □				\$1 540	□
63		Spinergy CLX spokes colors ³ Blk □ <i>STD</i>	Pur □	Wht □	Blue □	Red □	Yel □	Pink □	Grn □	Org □

1 - HP tires are not compatible with Mag Wheels -use only aluminum or plastic coated handrim

2 - Not compatible with Shox tires

3 - Colour spokes require an additionnal 10 days lead-time

TIRES											
								Available			
64	VETI01	Soft Urethane 1 1/4 "						22" 24"		NC	□
65	VETI02	Soft Urethane knobby 1 3/8 "						22", 24", 25", 26"		\$110	□
66	VETI04	Soft Urethane - Shox 1"						22", 24", 25", 26"		\$130	□
67	VETI05	Pneumatic 1 3/8 "						22", 24", 25", 26"		NC	□
68	VETI08	Pneumatic with Airless insert 1 3/8"						22", 24"		\$215	□
69	VETI06	Pneumatic HP - 1"						22", 24", 25", 26"		\$110	□
70	VETI07	Pneumatic HP - Schwalbe Marathon Plus 1"						24", 25", 26"		\$190	□

HANDRIM											
71	VEHR01	Aluminum anodized								STD	□
72	VEHR07	Newton Air Grip ¹ <i>Black</i> □								\$150	□
73	VEHR	Newton Air Grip ¹ (08) <i>Sunkissed Orange</i> □	(09) <i>Burgundy</i> □		(10) <i>Sapphire Blue</i> □				\$330	□	
		(11) <i>Monster Green</i> □	(12) <i>Charcoal</i> □	(13) <i>Fuchsia</i> □	(14) <i>Steel Blue</i> □						
		(15) <i>Ferrari Red</i> □	(16) <i>Acid Green</i> □	(17) <i>White</i> □	(18) <i>Sky Blue</i> □						
Assembly position for aluminum and Newton AirGrip handrims											
74	VEHR29	Standard Handrim position	<i>Full tab</i>							STD	□
75	VEHR30	Narrow Handrim position - (not available in 22")	<i>Short tab 2 positions</i>							\$25	□
76	VEHR31	Super Narrow Handrim - (not available in 22")	<i>Short tab 2 positions</i>					<i>Short tab 1 position</i>		\$25	□

HANDRIM											
77	VEHR02	Plastic coated ³								\$160	□
78	VEHR03	Q-Grip High friction Neoprene coated ^{1,2,3}								\$430	□
79	VEHR28	Surge ^{1,2,3} (1-1/2" Oval handrim w/ Gripton high friction strip)								\$470	□
80	VEHR05	Surge LT ^{1,2,3} (1-1/8" Oval handrim w/ Gripton high friction strip)								\$500	□
81	VEHR04	Natural Fit Standard Grip ^{1,2,3} (1-1/2" Oval handrim w/standard thumb piece)								\$500	□
82	VEHR25	Natural Fit Super Grip ^{1,2,3} (1-1/2" Oval handrim w/super grip thumb piece)								\$530	□
83	VEHR99	Omit handrim								NC	□

1- Not available with Mag wheels

2 - Not available in 20"

3- Only standard handrim position available

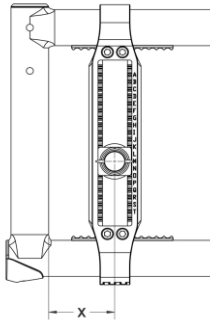
ONE ARM DRIVE										
84	VEHR22	One arm drive ⁴	24"	left □	right □			New	\$1 395	□

4 - Only available with Newton One wheels, aluminum or plastic handrims

AXLE											
85	VEAX01	Quick release axle								STD	□
86	VEAX03	Quad release axle								\$170	□

REAR WHEEL CAMBER											
87	VECM00	0° camber								STD	□
88	VECM03	3° camber								NC	□
89	VECM06	6° camber								\$80	□

CENTER OF GRAVITY



Choose position of rear wheel axle plate:

Measure distance X from front of back post to center of axle receiver.

Most stable								Most responsive				
1"	1/4"	1/2"	3/4"	2"	1/4"	1/2"	3/4"	3"	1/4"	1/2"	3/4"	4"
<input type="checkbox"/>	<input type="checkbox"/>	<input type="checkbox"/>	<input type="checkbox"/>	<input type="checkbox"/>	<input type="checkbox"/>	<input type="checkbox"/>	<input type="checkbox"/>	<input type="checkbox"/>	<input type="checkbox"/>	<input type="checkbox"/>	<input type="checkbox"/>	<input type="checkbox"/>

If not indicated, default setting is at 1.5"

Possible conflict between a seat depth under 16" and a center of gravity over 2.5".

Possible conflict between a 26" rear wheel and a center of gravity over 2.5".

If a configuration issue arises due to the choice of the Center Of Gravity (COG) Motion Composites reserves the right to reduce or increase the COG to the closest position.

WHEEL LOCK						
90	VEWL08	Newton wheel lock - push to lock				STD <input type="checkbox"/>
91	VEWL02	Pull to lock				NC <input type="checkbox"/>
92	VEWL04	Newton grade aid push to lock <i>(suggested with pneumatic or high pressure tire)</i>				\$175 <input type="checkbox"/>
93	VEWL13 VEWL14	6" removable extension handle				\$67 <input type="checkbox"/>
94	VEWL05	Scissor Lock				\$300 <input type="checkbox"/>
95	VEWL99	Omit wheel locks				NC <input type="checkbox"/>

FLIP BACK ARMREST <i>(Convertible to "T" armrest)¹</i>		Height Adjustment		Removable function			
96	VEAR01	10" Desk Length	8 - 12" <input type="checkbox"/> STD	10 - 14" <input type="checkbox"/>	Locked <input type="checkbox"/>	Unlocked <input type="checkbox"/> STD	\$380 <input type="checkbox"/>
97	VEAR02	14" Full Length	8 - 12" <input type="checkbox"/> STD	10 - 14" <input type="checkbox"/>	Locked <input type="checkbox"/>	Unlocked <input type="checkbox"/> STD	\$380 <input type="checkbox"/>
"T" ARMREST ¹		Height Adjustment					
98	VEAR03	10" Desk Length	8 - 12" <input type="checkbox"/> STD	10 - 14" <input type="checkbox"/>			\$360 <input type="checkbox"/>
99	VEAR04	14" Full Length	8 - 12" <input type="checkbox"/> STD	10 - 14" <input type="checkbox"/>			\$360 <input type="checkbox"/>

1 - May have a 1/2" adjustment restriction on both limits of the range

GEL ARM PAD							
100	VEAR12	14" Full Length Arm Pad - Gel Ovation				\$150 <input type="checkbox"/>	
SWING AWAY ARMREST ²		Height Adjustment					
101	VEAR05	Tubular arm pad	8 - 11"				\$295 <input type="checkbox"/>
102	VEAR06	10" Desk length arm pad	8 - 11"				\$295 <input type="checkbox"/>

2 - Could interfere with some rigid back rests

103	VEAR99	Omit armrest				NC <input type="checkbox"/>
-----	--------	--------------	--	--	--	-----------------------------

SIDE GUARDS <i>(not available with Flip Back and "T" Armrest)</i>						
104	VESG01	Plastic side guards <i>(removable)</i>				\$225 <input type="checkbox"/>
105	VESG02	Carbon fiber side guards <i>(fixed)¹</i>				\$255 <input type="checkbox"/>
106	VESG03	Carbon fiber side guards <i>(removable)</i>				\$295 <input type="checkbox"/>
107	VESG06	Plastic fender side guards <i>(removable)²</i>				\$320 <input type="checkbox"/>
108	VESG04	Carbon fiber fender side guards <i>(removable)</i>				\$495 <input type="checkbox"/>
109	VESG99	Omit side guard				NC <input type="checkbox"/>

1- Not available with back upholstery

2- Not compatible with 20" and 22" rear wheels

POSITIONING BELT						
110	VESB01	Velcro adjustable	Standard 35" <input type="checkbox"/>	Long 60" <input type="checkbox"/>		\$45 <input type="checkbox"/>
111	VESB02	Auto buckle	Standard 35" <input type="checkbox"/>	Long 60" <input type="checkbox"/>		\$55 <input type="checkbox"/>
112	VESB07	Hardware attachment for 2 point seatbelt (1 pair)				NC <input type="checkbox"/>
113	VESB03	Additional hardware for 2 extra attachment points <i>(needed for the 4 point seat belt) (1 pair)</i>				\$13 <input type="checkbox"/>
114	VESB04	BodyPoint Hip Belt - 2 point not padded		Medium 56" <input type="checkbox"/> Long 61" <input type="checkbox"/>		\$82 <input type="checkbox"/>
115	VESB05	BodyPoint Hip Belt - 2 point padded	Small 51" <input type="checkbox"/>	Medium 56" <input type="checkbox"/> Long 61" <input type="checkbox"/>		\$170 <input type="checkbox"/>
116	VESB06	BodyPoint Hip Belt - 4 point padded	Small 51" <input type="checkbox"/>	Medium 56" <input type="checkbox"/> Long 61" <input type="checkbox"/>		\$195 <input type="checkbox"/>
117	VESB08	BodyPoint EVOFLEX® Positioning Belt Rehab latch and Band Clamps		Medium 18" <input type="checkbox"/> Long 24" <input type="checkbox"/>		\$324 <input type="checkbox"/>
118	A6SB99	Omit positioning belt				STD <input type="checkbox"/>

HEADREST ¹						
119	VEAC01	Profiled Headrest	Small (3.5"X6") <input type="checkbox"/>	Medium (4.5"X7") <input type="checkbox"/>	Large (5.5"X8") <input type="checkbox"/>	\$205 <input type="checkbox"/>
120	VEAC02	Headrest mounting hardware with stabiliser bar ¹				\$338 <input type="checkbox"/>

1 - Only available with push handles

ACCESSORIES															
121	VEAC03	Anti tippers								\$115	<input type="checkbox"/>				
122	VEAC27	Tip assist ¹								<i>New</i>	\$60	<input type="checkbox"/>			
123	VEAC05	WC-19 Transit Tie Down w/Q'straint belt ²		Short belt 20-41" <input type="checkbox"/>		Long belt 20-46" <input type="checkbox"/>				\$345	<input type="checkbox"/>				
124	VEAC06	Cane carrier		Left <input type="checkbox"/>		Right <input type="checkbox"/>				\$105	<input type="checkbox"/>				
125	VEAC08	Spoke guards ³		Available: 22", 24", 26"							\$145	<input type="checkbox"/>			
126	VEAC10	Seat pouch								\$95	<input type="checkbox"/>				
127	VEAC26	BodyPoint Mobility Bag								\$135	<input type="checkbox"/>				
128	VEAC23	Newton Backpack								\$120	<input type="checkbox"/>				
129	VEAC12	Velcro Closing Strap								\$50	<input type="checkbox"/>				
130	VEAC13	Tool kit								\$50	<input type="checkbox"/>				
131	VEAC16	Motion Composites Polo Shirt		W/S <input type="checkbox"/>	W/M <input type="checkbox"/>	W/L <input type="checkbox"/>	M/S <input type="checkbox"/>	M/M <input type="checkbox"/>	M/L <input type="checkbox"/>	M/XL <input type="checkbox"/>	M/XXL <input type="checkbox"/>	M/XXXL <input type="checkbox"/>	M/XXXXL <input type="checkbox"/>	\$32	<input type="checkbox"/>

1 - Cannot be combined with Anti Tippers 2 - Not available with the swing away armrest ; Not available with HD option 3 - Not available with Mag wheels

CARBON FIBER FINISH WITH DECALS														
132	VEFC10	Highlight color:		(10) Ferrari Red <input type="checkbox"/>	(11) White <input type="checkbox"/>	(12) Black <input type="checkbox"/>	(13) Sunkissed Orange <input type="checkbox"/>	(14) Sky Blue <input type="checkbox"/>	(15) Fuchsia <input type="checkbox"/>	(16) Acid Green <input type="checkbox"/>			NC	<input type="checkbox"/>
TOTAL														

Notes :