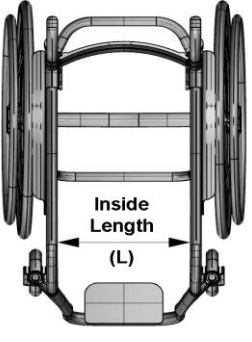
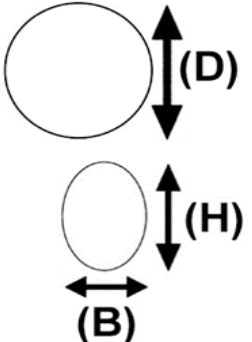


P.O. number:*	Date:	Ship to:*
Company Name:*		Name:
Phone:*		Address:
Ordered by:*		
Email:		City: Prov:
Marked for:		Postal Code:
* Required		Phone: Taxes not included

1. THE KLICK (Select the KLICK device. The KLICK includes double brakes, battery and charger)			Canada Order Form	
Code	Description and Type		Retail	
51609	KLICK Electric <i>with battery 5,8 Ah (51477), charger 5,8 Ah (51481)</i>		\$6,045	
51610	KLICK Electric Power <i>with battery 11 Ah (51475), charger 11 Ah (51478)</i>		\$6,410	
51611	KLICK Electric Tetra <i>with battery 5,8 Ah (51477), charger 5,8 Ah (51481)</i>		\$7,300	
51612	KLICK Electric Tetra Power <i>with battery 11 Ah (51475), charger 11 Ah (51478)</i>		\$7,825	
51613	KLICK Electric Race <i>with battery 48V 11Ah (51473), charger 11Ah (51480)</i>		\$6,975	
51614	KLICK Electric Race Tetra <i>with battery 48V 11Ah (51473), charger 11Ah (51480)</i>		\$8,245	
51616	KLICK Electric Monster <i>with battery 48V 11Ah (51473), charger 11Ah (51480)</i>		\$7,700	
51617	KLICK Electric Mini <i>with battery 5,8 Ah (51474), charger 5,8 Ah (51482)</i>		\$5,325	
51618	KLICK Electric Mini Carbon <i>with battery 5,8 Ah (51474), charger 5,8 Ah (51482)</i>		\$6,050	
2. HOOK KIT COMPONENTS				
		Compatibility		
51729	KLICK Connector Standard	All models (STD)	\$750	
51460	KLICK Connector Standard Extra Long	All models	\$770	
51461	KLICK Connector Standard Small	All models	\$750	
51462	KLICK Connector Tetra	All models	\$1,040	
51463	KLICK Connector Tetra Extra Long	All models	\$1,075	
51464	Support Velcro Grip Kit (included with Tetra connector)	All models	\$85	

WHEELCHAIR			
Wheelchair Manufacturer: (Required)	Model: (Required)		
CHARACTERISTICS OF FRAME			
<i>Enter measurements in inches (")</i>			
INSIDE SEAT FRAME LENGTH (Required) Parallel Frame (L) = _____ or Tapered Seat Frame (L) = _____	Figure-A 	FRAME TUBE DIMENSION (Required) Round shape (D) = _____ or Oval shape (B x H) = _____	
Wheelchair installation set			
Clamping Rings (set)			
51713	Clamping ring set for oval-shaped, parallel tube frames 1" X 1-3/8"		\$365
51714	Clamping ring set for oval-shaped, parallel tube frames 1" X 1-1/4"		\$365
51715	Clamping ring set for oval-shaped, parallel tube frames for Sunrise Xenon		\$365
51716	Clamping ring set for round-shaped, tapered tube frames 1"		\$365
51717	Clamping ring set for round-shaped, tapered tube frames 1-1/8"		\$365
51718	Clamping ring set for round-shaped, tapered tube frames 1-1/4"		\$365
51719	Clamping ring set for round-shaped, parallel tube frames 1"		\$365
51720	Clamping ring set for round-shaped, parallel tube frames 1-1/4" <i>Compatible with Motion Composites wheelchairs</i>		\$365
51721	Clamping ring set for round-shaped, parallel tube frames 1-3/8"		\$365
Crossbeam			
51722	Complete crossbeam inside length range (see Figure-A) 9" to 10-1/2"		\$300
51723	Complete crossbeam inside length range (see Figure-A) 10-1/2" to 11-1/2"		\$300
51724	Complete crossbeam inside length range (see Figure-A) 11-1/2" to 14-1/8"		\$300
51725	Complete crossbeam inside length range (see Figure-A) 14-1/4" to 18-7/8"		\$300
51726	Complete crossbeam inside length range (see Figure-A) 19" to 21-1/4"		\$300



3. ADAPTATIONS AND DRIVING CONFIGURATIONS (Optional)		Compatibility	
51499	Additional traction weights (pair)	Electric, Electric. P., Tetra, Tetra P., Race, Race Tetra	\$540
51466	Appendices for handlebar	Tetra, Tetra Power, Race Tetra	\$45
51468	Quick release adjustable handlebar stem	Electric, Electric Power, Race, Monster	\$80
51469	Handlebar stem riser	Electric, Electric Power	\$270
51470	Handlebar stem riser - double break	Electric, Electric Power, Race, Monster	\$290
51471	Stem riser for handlebar Tetra	Tetra, Tetra Power	\$290
51472	Stem riser for handlebar Tetra - double break	Tetra, Tetra Power, Race Tetra	\$280
4. ADDITIONAL BATTERIES AND BATTERY CHARGERS (Optional)		Compatibility	
51473	Battery 48V 11Ah	Race, Race Tetra, Monster	\$1,840
51474	Battery 5,8 Ah	Mini, Mini Carbo	\$1,310
51475	Battery 11 Ah	Electric Power, Tetra Power	\$1,625
51477	Battery 5,8 Ah	Electric, Tetra	\$1,315
51478	Battery charger 11 Ah	Electric Power, Tetra Power, Fly battery	\$200
51480	Battery charger 48V 11Ah	Race, Race Tetra, Monster	\$260
51481	Battery charger 5,8 Ah	Electric, Tetra	\$185
51482	Battery charger 5,8 Ah	Mini, Mini Carbo, Fly Battery	\$185
51483	Fly Battery 2,5 Ah	Mini, Mini Carbo	\$1,075
51484	Fly Battery 2,5 Ah	Electric Power, Tetra Power	\$1,165
51485	Fly Battery 2,5 Ah	Electric, Tetra	\$1,075
5. SAFETY KIT (Optional)		Compatibility	
51486	Red rear LED-light	All models	\$57
51487	Single rear-view mirror	All Models	\$57
51488	White front LED light with fixing plate	Race, Race Tetra, Monster	\$170
51489	White front LED-light	All models	\$57
6. OTHER OPTIONS		Compatibility	
51490	Klaxon Fat Wheels, 24X2.0" with Schwalbe Big Apple tires and aluminum handrim	All models	\$1,360
51491	Flybag	Electric, Electric. P., Tetra, Tetra P., Race, Race Tetra	\$465
51492	Flybag	Mini, Mini Carbo	\$465
51493	Installation Kit "gold"	All Models	\$3,330
51494	Kickstand Tetra; easy installation	Electric, Electric. P., Tetra, Tetra P., Race, Race Tetra	\$215
51495	Handle bar phone holder	All models	\$100
Total			

NOTES