



INSTRUCTION SHEET

CENTER OF GRAVITY ADJUSTMENT (APEX A – APEX C)



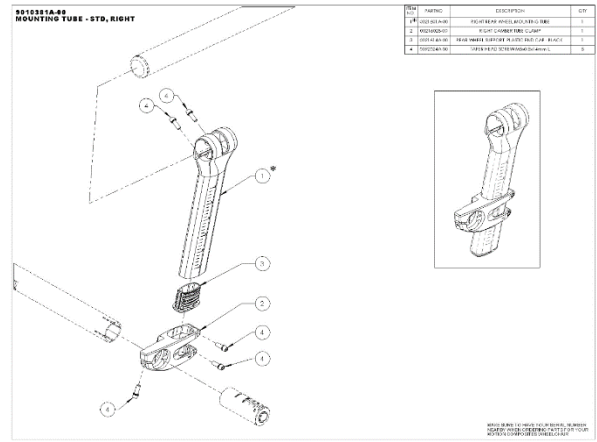
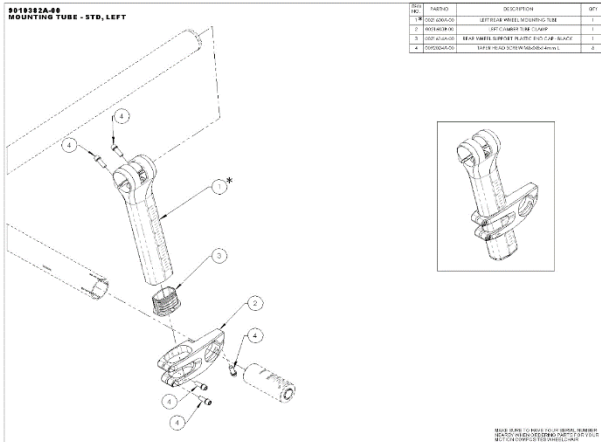
- Before beginning assembly, make sure you have all the necessary parts. These parts must be ordered through your representative or through the Moton Composites customer service. Make sure to have the serial number of your wheelchair to make ordering easier.

Material(s) required:

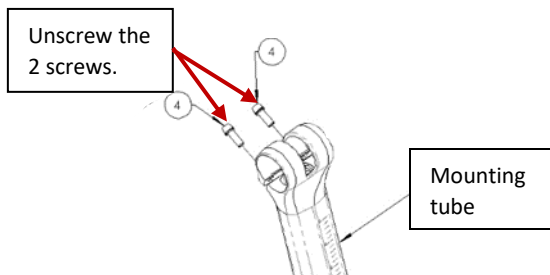
- Mounting tube – std, left (#9010382A-00)
- Mounting tube – std, right (#9010381A-00)

Tool(s) required:

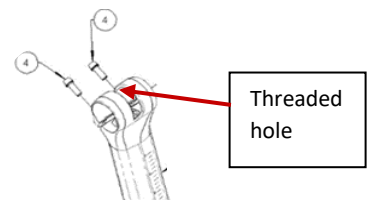
- 5 mm Allen key
- Torque wrench adjusted to 7 Nm



1. Take off the rear wheel.
2. Unscrew the 2 screws from the wheel mounting tube using the Allen key.



3. Use 1 of the 2 screws and insert it into the threaded hole located between the 2 screws to allow the clamp to open and move the mounting tube more easily to the desired location.



4. Remove the screw from the threaded hole and screw the 2 screws back into their original position with the torque wrench adjusted to 7 Nm alternating from one screw to another.
5. Put back the wheel.