



## INSTRUCTION SHEET WHEELS AND TIRES DIMENSIONS EXPLANATION (ETRTO)

- i** • Use the information on the tire sidewall to find out which wheel size to choose (do not measure the tire with a tape). It is also possible that one of the 3 measurements is not visible on the tire.
- Before beginning assembly, make sure you have all the necessary parts. These parts must be ordered through your representative or through the Moton Composites customer service. Make sure to have the serial number of your wheelchair to make ordering easier.

### Material(s) required:

- Wheels
- Tires
- Air tubes (if needed)

### Tool(s) required:

- Tire changer
- Tire inflator pump

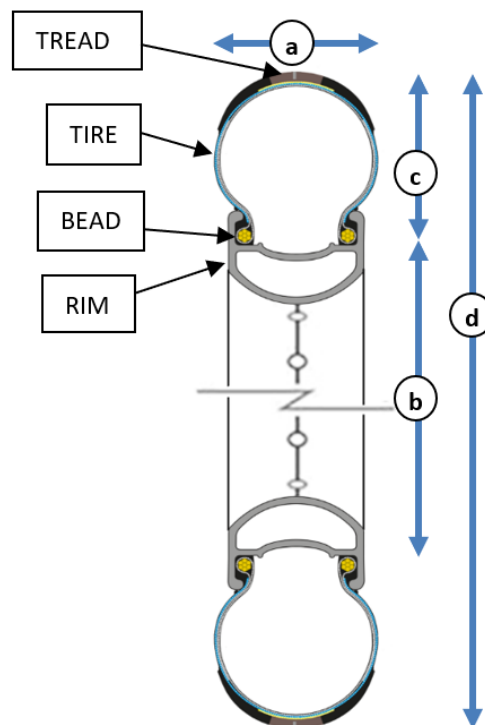
### EXPLANATION



Example of a tire inscription :

- ISO ETRTO : 40-622
  - ETRTO : European Tire and Rim Technical Organization
  - 40 : approximative width of the tire (a) in mm.
  - 622 : inner diameter of the tire (b) in mm which also indicates the wheel outer diameter to be used, **calculated from the wheel bead seat.**
- Imperial measure (English) : 28 x 1-5/8 x 1-1/2
  - 28 : outer diameter of the tire (d) in inches.
  - 1-5/8 : approximative width of the tire (a) in inches.
  - 1-1/2 : height of the tire (c) in inches.

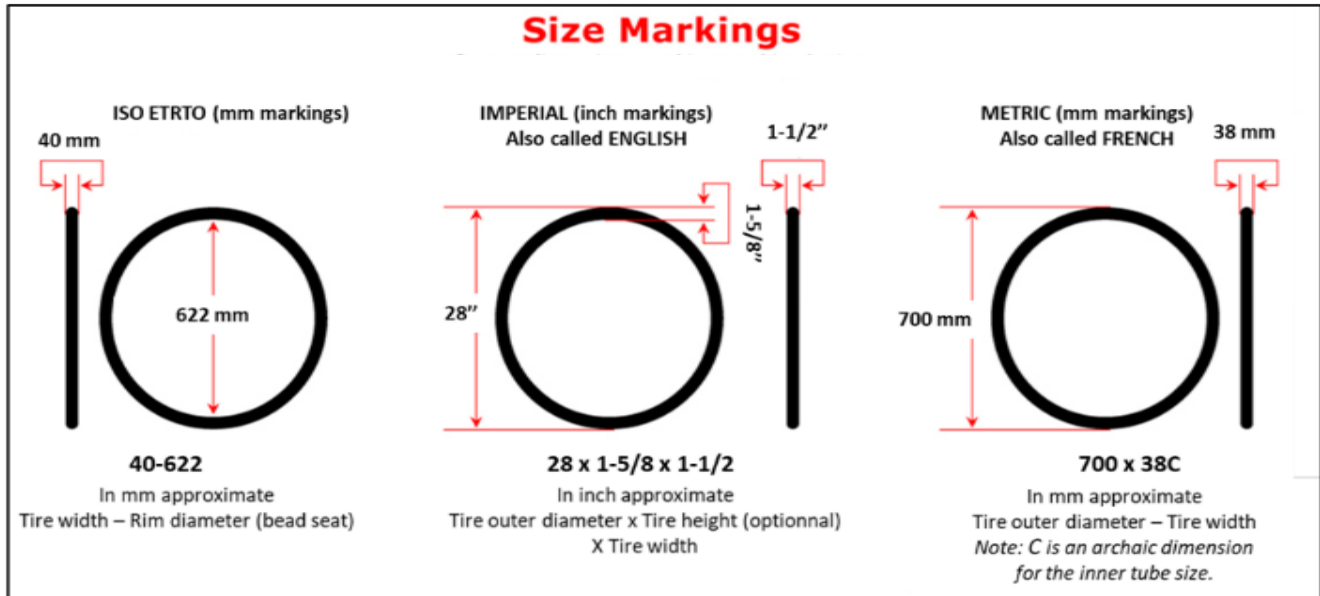
- Metric measure (French) : 700 x 38C
  - 700 : outer diameter of the tire (d) in mm.
  - 38C : approximative width of the tire (c) in mm.





## INSTRUCTION SHEET

# WHEELS AND TIRES DIMENSIONS EXPLANATION (ETRTO)



- For every wheels/tires :
  - 20" (451) wheel: to fit an ETRTO 451 mm inner diameter tire.
  - 22" (501) wheel : to fit an ETRTO 501 mm inner diameter tire.
  - 24" (540) wheel : to fit an ETRTO 540 mm inner diameter tire.
  - 25" (559) wheel : to fit an ETRTO 559 mm inner diameter tire.
  - 26" (590) wheel : to fit an ETRTO 590 mm inner diameter tire.