



## INSTRUCTION SHEET TUBES DIAMETER

- i** This document lists the different tube diameters found on Motion Composites wheelchairs so that our customers can validate the compatibility of third-party accessories prior to purchase or installation.
- ⚠** Motion Composites is not responsible for third party accessories installed on its products outside of its facilities. In some cases, this could compromise the performance and durability of the product. It could also void the warranty. Consult the user manual and the warranty conditions. If in doubt, contact the Motion Composites Customer Experience Team.

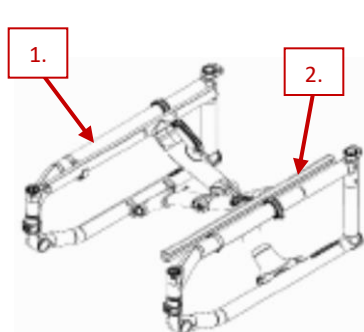
### Wheelchair models:

- All

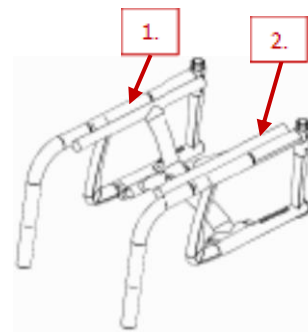
### Tool(s) and material required:

- None

FOLDING FRAMES	Imperial (inches)	Metric (millimeters)
1. Frame structure	1 1/4	31.75
2. Seat sling tube	1	25.40

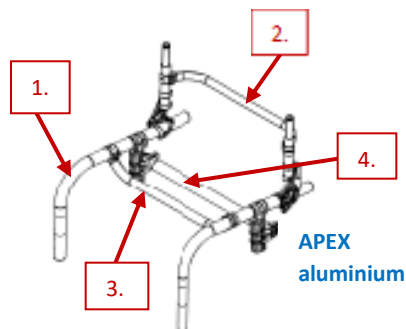


HELIO A6-A7-C2-MOVE



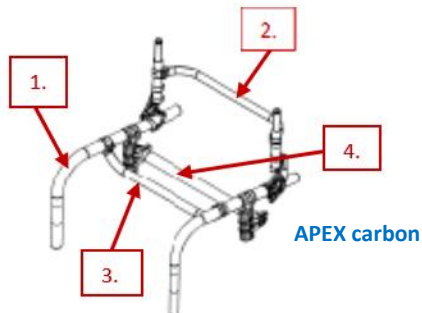
VELOCE

RIGID FRAMES aluminium	Imperial (inches)	Metric (millimeters)
1. Frame structure	1 1/4	31.75
2. Backrest tube	7/8	22.20
3. Seat sling tube	1	25.40
4. Rear wheels camber tube	1 1/4	31.75



APEX  
aluminium

RIGID FRAMES carbon	Imperial (inches)	Metric (millimeters)
1. Frame structure	1 1/4	31.75
2. Backrest tube	Impossible to measure	
3. Seat sling tube	Impossible to measure	
4. Rear wheels camber tube	1 1/4	31.75

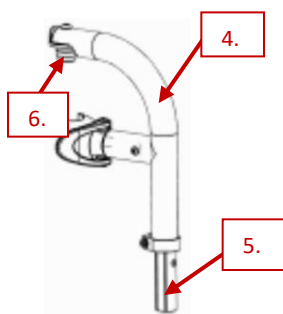


APEX  
carbon

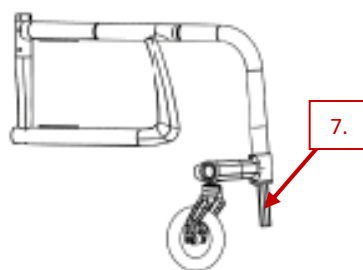


INSTRUCTION SHEET  
TUBES DIAMETER

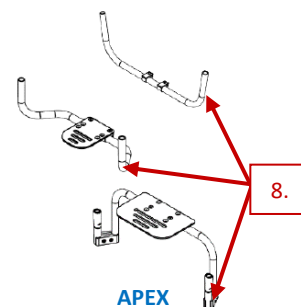
FOOTRESTS	Imperial (inches)	Metric (millimeters)
4. Swing in/out footrests , folding wheelchairs - structure	1	25.40
5. Swing in/out footrests, folding wheelchairs - extension	3/4	19.05
6. Swing in/out footrests, folding wheelchairs - pivot	3/4	19.05
7. Footrests, folding wheelchairs VELOCE - extension	3/4	19.05
8. Footrests, rigid wheelchairs APEX - extension	3/4	19.05



Swing in/out folding

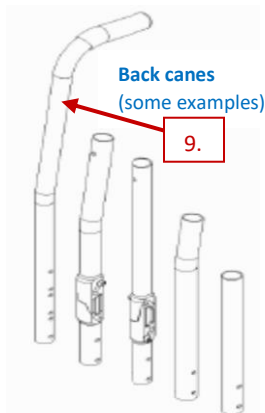


VELOCE

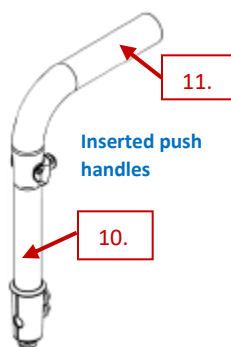


APEX

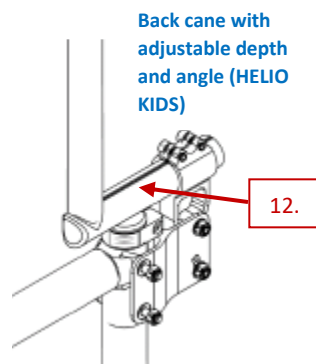
BACK CANES AND PUSH HANDLES	Imperial (inches)	Metric (millimeters)
9. Back canes (all types) – All folding and rigid wheelchairs	1	25.40
10. Push handles extension	3/4	19.05
11. Inserted push handle (without sheath)	7/8	22.20
12. Back cane with adjustable depth and angle	1	25.40
ARMRESTS		
13. Armrest tube	7/8	22.20



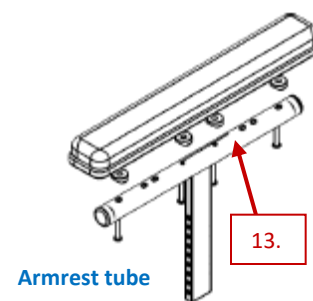
Back canes (some examples)



Inserted push handles



Back cane with adjustable depth and angle (HELIO KIDS)



Armrest tube