



INFORMATION SHEET

TUBE DIAMETERS

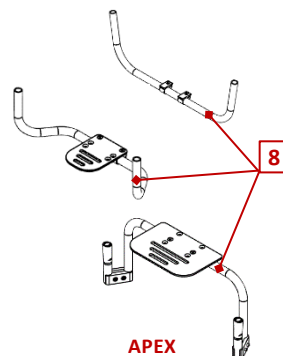
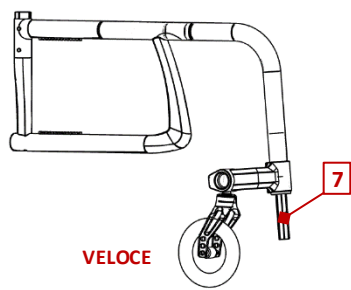
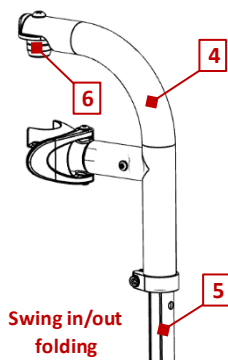
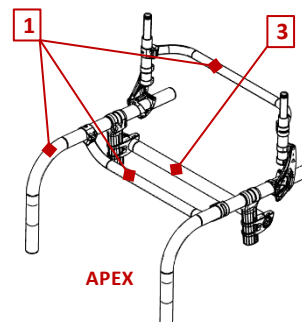
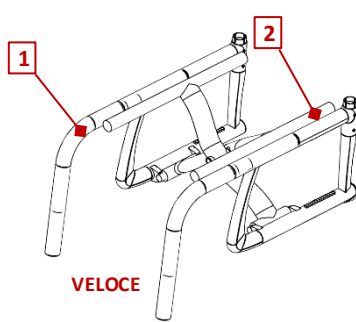
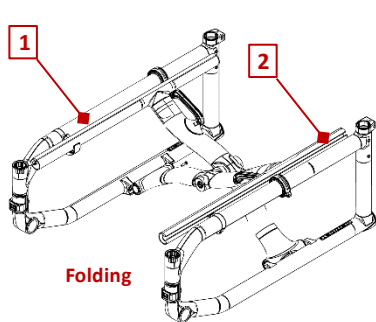
i This document lists the different tube diameters found on Motion Composites wheelchairs so that our customers can validate the compatibility of third-party accessories prior to purchase or installation.

⚠ CAUTION: Motion Composites is **not responsible** for third party accessories installed on its products outside of its facilities. In some cases, this could **compromise** the **performance** and **durability** of the product. It could also **void the warranty**. Consult the **user manual** and the **warranty** conditions. If in doubt, **contact** the Motion Composites **Customer Experience Team**. See motioncomposites.com for contact information.

Wheelchair model(s)	Tool(s) and materials required
• All models	• Not applicable

TUBE DIAMETERS

No	Part	Imperial (inch)	Metric (millimeter)
FRAMES			
1	Frame structure - All folding and rigid chairs including HD versions	1 ¼	31.75
2	Seat sling tubes - All folding chairs	1	25.40
3	Rear wheels camber tube - All rigid chairs	1 ¼	31.75
FOOTREST			
4	Swing in/out footrests, folding chairs - Structure	1	25.40
5	Swing in/out footrests, folding chairs - Extension	¾	19.05
6	Swing in/out footrests, folding chairs - Pivot	¾	19.05
7	Footrests, folding chairs VELOCE - Extensions	¾	19.05
8	Footrests, APEX rigid chairs - Extensions	¾	19.05





INFORMATION SHEET

TUBE DIAMETERS

No	Part	Imperial (inch)	Metric (millimeter)
BACK CANES AND PUSH HANDLES			
9	Back canes (all types) - All folding and rigid chairs	1	25.40
10	Push handles extensions	3/4	19.05
11	Inserted push handle (without sheath)	7/8	22.20
12	Back cane with adjustable depth and angle	1	25.40
ARMRESTS			
13	Armrest tube	7/8	22.20

