



INSTRUCTION SHEET

ADJUSTING THE T-TYPE AND FLIP BACK ARMRESTS

i This document explains how to **adjust** the **removable T-Type armrests** and the **removable and retractable flip back armrests** on Motion Composites **folding** and **rigid wheelchairs**.

For information on how to **remove, install, tilt or adjust** the **height of an armrest**, refer to the **User's Manual**.

Wheelchair model(s)

- HELIO C2/XC2/A6/A7/Kid/K
- VELOCE
- APEX A/C/P

Tool(s) and materials required

- CHRONOS
- PLATINUM 1/2
- COBALT 1/2
- Hexagonal key (Allen key): 2 mm, 4 mm
- Medium or small flat or star (Phillips) head screwdriver

REMINDER

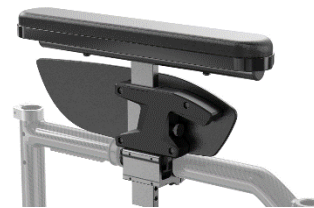
- **Removable T-Type armrests** (shown with 14" long pads or full length pads).
- **Three sorts** of T-Type armrests are available for folding and rigid chairs:
 - **Standard** armrest with **push-button** height adjustment mechanism
 - **Standard** armrest with **bidirectional lateral button** height adjustment mechanism
 - **Small** armrest with **button** height adjustment mechanism



Standard push-button



Standard bidirectional lateral button



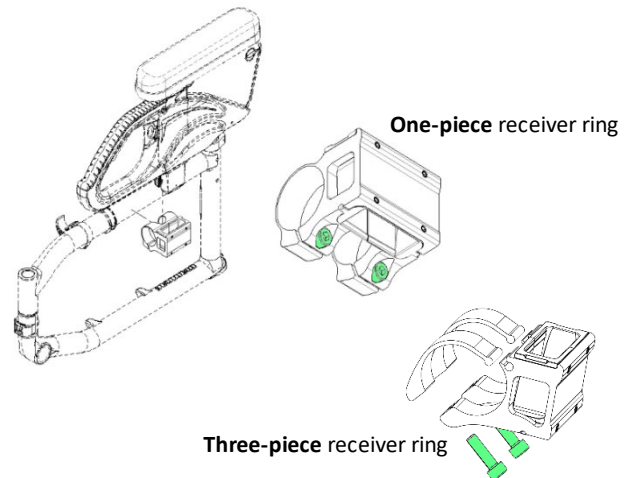
Small push-button

- **Removable, retractable flip back armrest** (shown with 14" long pads or full length pads)
 - Possibility to convert it into a T-Type armrest
 - Armrest type not available for APEX line of rigid wheelchairs



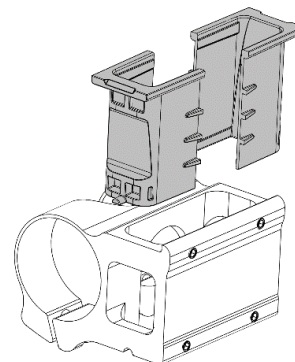
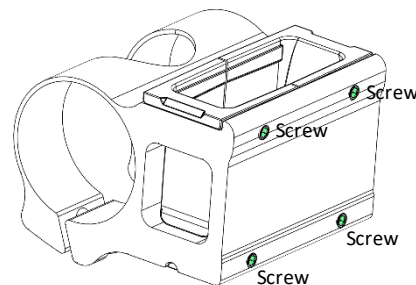
POSITIONING THE ARMREST RECEIVER

- Loosen the **two screws** (4 mm hex key) on the receiver retaining ring.
 - They are accessible from the **outside of the chair**
- Carefully **move the receptacle** on the **frame tube** to **avoid damaging the surface**
- **Tighten the two screws** of the receiver
- Apply a **torque of 7 Nm** to the **screws**
- When the wheelchair is equipped with a **removable and retractable "U" shaped armrest**, the receiver can only be positioned where it can accommodate the armrest when folded down
- Note that there are **2 types of receiver**:
 - **One-piece** receiver ring
 - **Three-piece receiver ring***. Part of each of the two rings can be removed for easy assembly and disassembly



ADJUSTING THE ARMREST VERTICAL POST SLIDING FRICTION

- **Tighten the four (4) set screws** (2 mm hex wrench) on the **side of the receiver** to **increase sliding friction** when removing or inserting the armrest
 - **Loosen the screws** to **reduce sliding friction**
 - **Tighten the screws** so that there is **no or minimal play** of the armrest post in the receiver. This **prevents vibration** and **noise** from the armrest
 - To prevent the **user** from **removing the armrest**, **tighten the screws** to the **maximum**
-
- If the **set screws** are **fully tightened** and there is still **some play**, the **plastic guide** is too **worn**
 - **Order and replace both parts of the plastic guide**
 - They can be **easily removed and inserted manually by pressing on the sides**.
 - Remove the armrest post before and unscrew the four (4) set screws
 - Contact your **sales representative** or the **Motion Composites Customer Experience Team** to **order** the appropriate parts



* Receiver model introduced in September 2021 gradually in the different markets. The offer depends on the model of the wheelchair

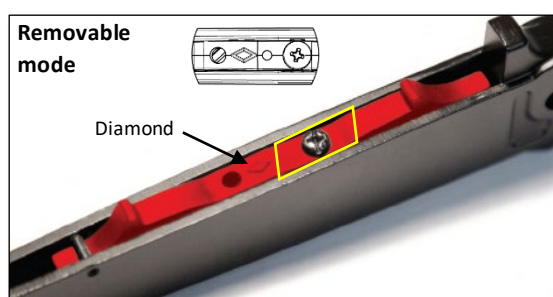
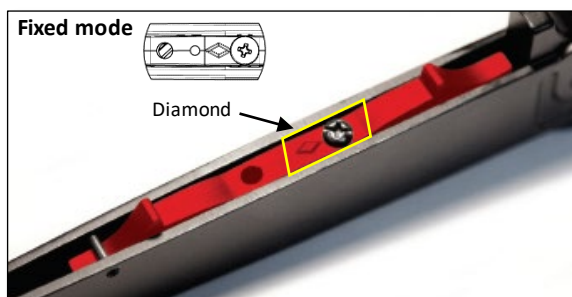


INSTRUCTION SHEET

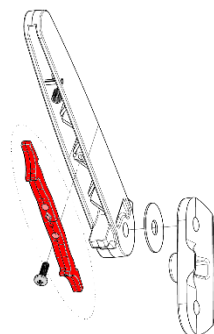
ADJUSTING THE T-TYPE AND FLIP BACK ARMRESTS

CHANGING THE REMOVAL MODE (FIXED OR REMOVABLE) OF A FLIP BACK ARMREST

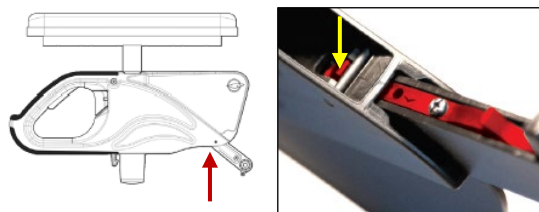
- Raise the armrest all the way up to access the screw installed on the **double hook trigger** (red plastic part) of the **pivot arm**
 - It is the **orientation of the double hook trigger** in relation to the **screw** that indicates whether the armrest is in **fixed mode** (the user cannot remove the armrest) or in **removable mode** (the user can remove the armrest).
 - **Fixed mode:** The **double hook trigger** is **installed and screwed** into the **hole marked with a diamond**
 - **Removable mode:** The **double hook trigger** is **installed and screwed** into the **hole without a diamond**



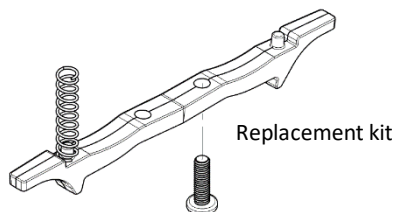
- To **change the armrest removal mode:**
 - **Unscrew and remove the screw**
 - **Remove the double hook trigger**
 - **Change the side of the double hook trigger and place it in the pivot arm**
 - **Install and screw in the screw**



- When the **double hook trigger** is in the **fixed mode**, the **armrest can be removed by pressing** on the **level hook** with a **screwdriver** or another suitable object



- If the **pivot arm is black**, it is an **old version**.
- You can order the **replacement kit** (part # 0033561) which includes a **double hook trigger, spring** and **screw** to replace the single hook trigger of the old model and take advantage of the two armrest removal modes



Single hook trigger
Old model



Double hook trigger
New model

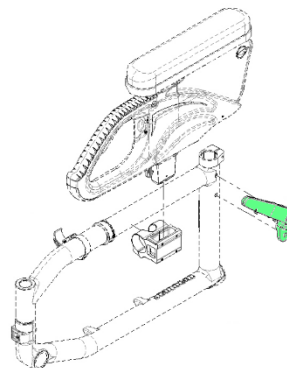


INSTRUCTION SHEET

ADJUSTING THE T-TYPE AND FLIP BACK ARMRESTS

CONVERTING A FLIP BACK ARMREST INTO A T-TYPE ARMREST

- To convert a removable and retractable flip back armrest into a T-Type armrest, simply **remove the pivot arm**.
 - Refer to the **User's Manual** (folding wheelchairs) for assembly and disassembly instructions.
 - Order **shorter screws so that there are** no exposed threads when the pivot arm is removed



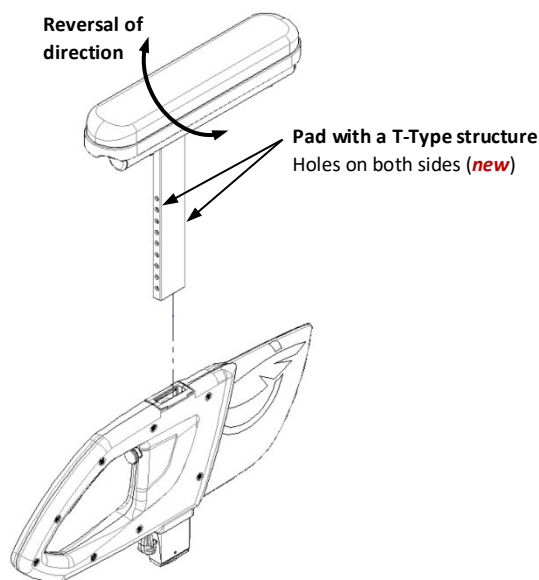
- The opposite is possible (converting a T-Type armrest into a flip back armrest) **only** if the chair is **equipped with the standard** armrest model with a **bidirectional lateral button** height adjustment mechanism



Standard armrest with bidirectional lateral button
Compatible with T-Type and flip back mount

REVERSE DESK LENGTH (SHORT) ARM PADS

- The latest T-Type* structures have **height adjustment holes on both sides**.
 - This improvement is particularly interesting for **desk length (short) arm pads**. The user can install the arm pad in the desired direction.
 - For example, he can install the **short end forward** to get closer to a **desk** or a **table** and the **long end forward** for **comfort and support**.
 - **Note:** By reversing the direction (front and back), you can also reverse the sides (left and right) not to lose width between the two pads
 - For **full length (long) arm pads**, this only allows them to be installed in one direction or the other



* Design change introduced in September 2021 gradually in the different markets