

TECHNICAL GUIDE

TUBE DIAMETERS

DIAMETER	DIMENSION	ILLUSTRATION
1 Push handle tube without hand grip	$\frac{7}{8}$ in (22.4 mm)	1
2 Push handle tube towards the cane	$\frac{3}{4}$ in (19.05 mm)	1
3 Cane tube - Aluminum and carbon	1 in (25.4 mm)	1
4 Tube holding the desk pad	$\frac{7}{8}$ in (22.2 mm)	2
5 Internal and external tube of the depth adjustable back (Helio Kids)	ED $1\frac{1}{4}$ in (31.75 mm) ID 1 in (25.4 mm)	3
6 Cane tube of the depth adjustable back (Helio Kids)	1 in (25.4 mm)	3
7 Cross brace seat rail	1 in (25.4 mm)	4
8 Frame structure	1 in (31.75 mm)	4
9 Plugs	$\frac{3}{4}$ in (18.9 mm)	5
10 Upper structure part of the footrest	1 in (25.4 mm)	5
11 Extension and structure of the APEX footrest	$\frac{3}{4}$ in (19.05 mm)	5

Illustration 1

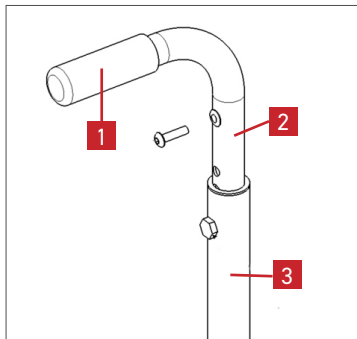


Illustration 2

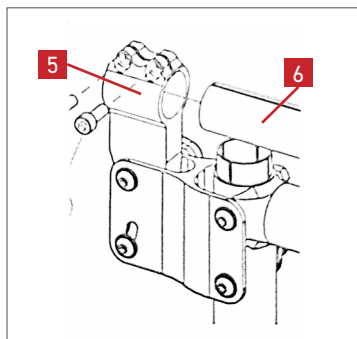
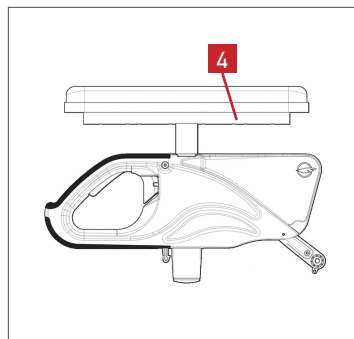


Illustration 3

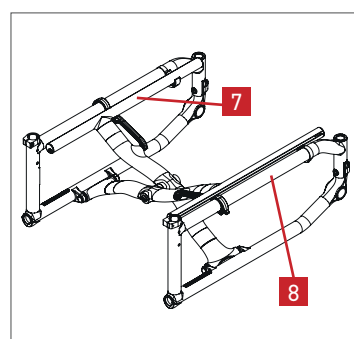


Illustration 4

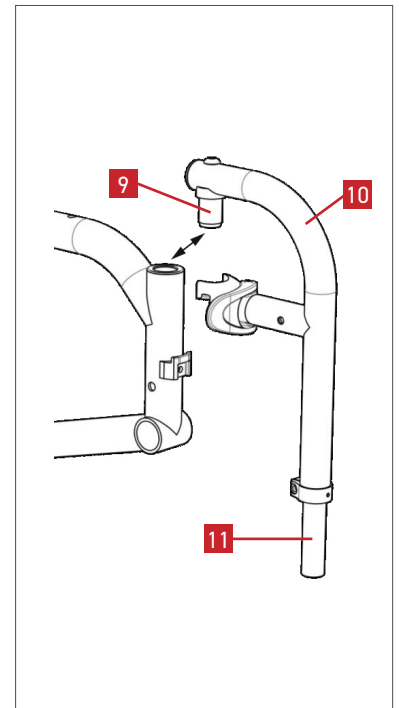


Illustration 5