

**Frames Catalogue**

HELIO A6 FRAME ASSEMBLY	1
-------------------------	---

**Front Wheels Catalogue**

FRONT CASTER WHEELS	6
FORKS	7
CASTER LOCK PIN	9
MULTI-POSITION INSERT ANTI-FLUTTER CASTER HOUSING	13
HARDWARE	17

**Footrests Catalogue**

FOOTRESTS - SWING-IN, SWING-OUT	18
CALF STRAPS	35
BODYPOINT AEROMESH CALF SUPPORTS	39
ELEVATING LEGRESTS - SWING-IN, SWING-OUT	40
PIVOT EXTENSION KIT	43
FOOTPLATES	45
ROLLER BUMPER	58
ONE PIECE FOOTPLATES	60
FLIP-UP ONE PIECE FOOTPLATE STRUCTURE	61
FRONT MOUNT FOOTRESTS	64
FRONT MOUNT FOOTPLATES	72
HIGH MOUNT, EXTENSION WITH CLAMPS	80
RESIDUAL LIMB SUPPORT - SWING-IN, SWING-OUT	82
FOOTREST ANCHORS 20 DEG	87

**Backrests Catalogue**

CARBON BACK CANES	88
ALUMINUM BACK CANES	95
PUSH HANDLES & STRAIGHT EXTENSION	98
INTEGRATED PUSH HANDLE BACK CANES	102
BACK CANE HARDWARE	106
BACK CANE HARDWARE (L TYPE ARMREST)	112
BACK CANE HARDWARE (DEPTH ADJ. BACK CANE)	115
NEWTON FOLDING STABILIZER BAR	118
STROLLER HANDLES	120
HEAD RESTS	122
PUSH HANDLES FOR HEAD RESTS	125

**Upholsteries & Seatings Catalogue**

BACK UPHOLSTERY - SLIP ON & TENSION BACK, NYLON	130
SLIDING SEAT SLINGS TYPE 2	133
CUSHIONS	135

**Rear Wheels Catalogue**

REAR WHEELS & SPOKES	138
SPINERGY REAR WHEELS	139
SPINERGY CLX BLADE REAR WHEELS	140
TIRES	141
HANDRIMS	142
SURGE AND NATURAL FIT HANDRIMS	143



NEWTON AIR GRIP HANDRIMS	144
BBRAVER HANDRIMS	145
HANDRIM HARDWARE	146
FLAT FREE INSERTS	148
SPOKE GUARDS	149
REAR WHEELS + TIRES	151
QUICK RELEASE & PERMANENT AXLE	155
12 POSITIONS MOUNTING PLATE T2 REVERSIBLE	158
AMPUTEE ADJUSTABLE AXLE PLATE FOR 12 POSITIONS MOUNTING PLATE T2 REVERSIBLE	160

**Wheel Locks Catalogue**

WHEEL LOCK - PUSH & PULL	164
WHEEL LOCK - PUSH & PULL WITH EXTENDED RAIL	171
WHEEL LOCK - SCISSOR	176
WHEEL LOCK - GRADE AID	178
WHEEL LOCK - GRADE AID WITH EXTENDED RAIL	181
WHEEL LOCK - CLAMPS	184
UNILATERAL WHEEL LOCK ADAPTOR KIT	186
FOOTREST STOPPER	188
ATTENDENT WHEEL LOCK KIT	190

**Armrests Catalogue**

ARMRESTS	192
ARMREST - GEL ARMREST PAD	207
FLIP BACK REAR PIVOT TYPE 2	210
ARMRESTS - SWING AWAY RECEIVER	213

**Sideguards Catalogue**

SIDEGUARDS	215
FENDER SIDEGUARDS	222
PLASTIC INSERT FOR V2 RECEIVER	227
SIDEGUARD - CLOTH	229

**Seatbelts Catalogue**

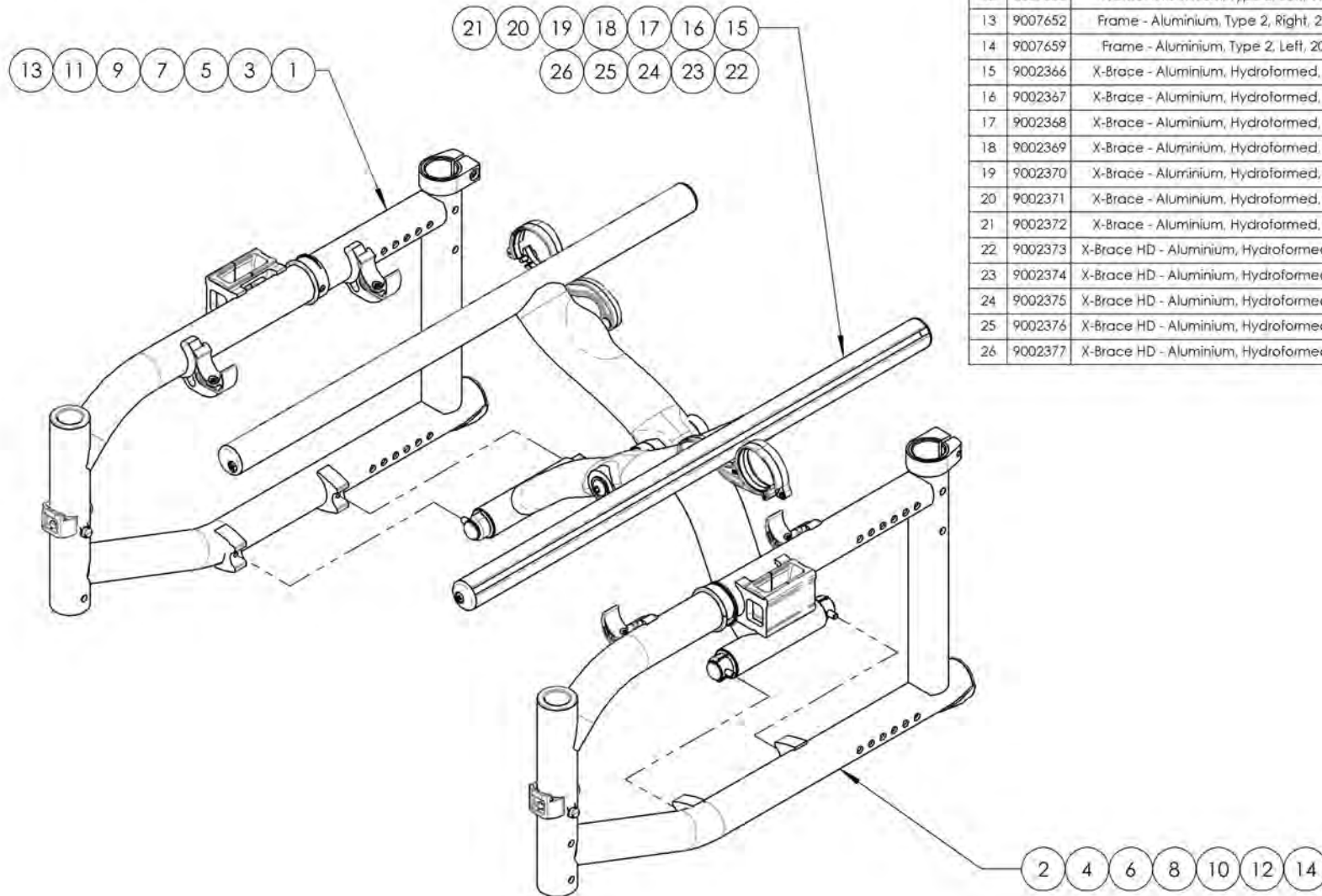
POSITIONING SEATBELTS	230
POSITIONING SEATBELTS - BODYPOINT	233
HIP BELT - BODYPOINT EVOFLEX	235
POSITIONING SEATBELTS - ADDITIONAL HARDWARE (2 COMPOSITES CLAMPS)	237

**Accessories Catalogue**

ANTI-TIPPERS	239
PATCHES	244
CANE HOLDERS	245
FOOTREST NEOPREN IMPACT GUARDS	247
OXYGEN TANK HOLDER	248
CLOSING STRAPS	250
SEAT POUCH	251
TOOL KIT	252
MOTION COMPOSITES T-SHIRT	254
MOTION COMPOSITES POLO	255
NEWTON BACKPACK	256

BODYPOINT MOBILITY BAG	257
<b>Color Options Catalogue</b>	
STICKERS - HELIO	258
COLOR SWATCH (ALL COLORS)	259
COLOR TOUCH-UP	260
<b>Quick Orders Catalogue</b>	
FLIP BACK TYPE 2 COMPLETE ARMREST	261
COMPLETE ARMREST ASSEMBLY TYPE 2 (PAIR)	264
FORK ASSEMBLY	269
STEM BOLT ASSEMBLY	271
CASTER LOCK PIN ASSEMBLY	273
LINK + HARDWARE	275
REAR WHEEL ASSEMBLY	277
WHEEL LOCK PAIR ASSEMBLY	279

**Frame Catalogue**  
**Helio A6 Frame Assembly**



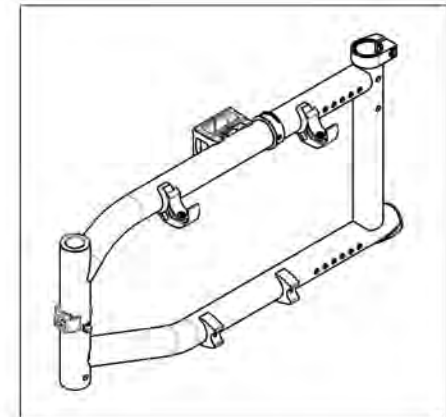
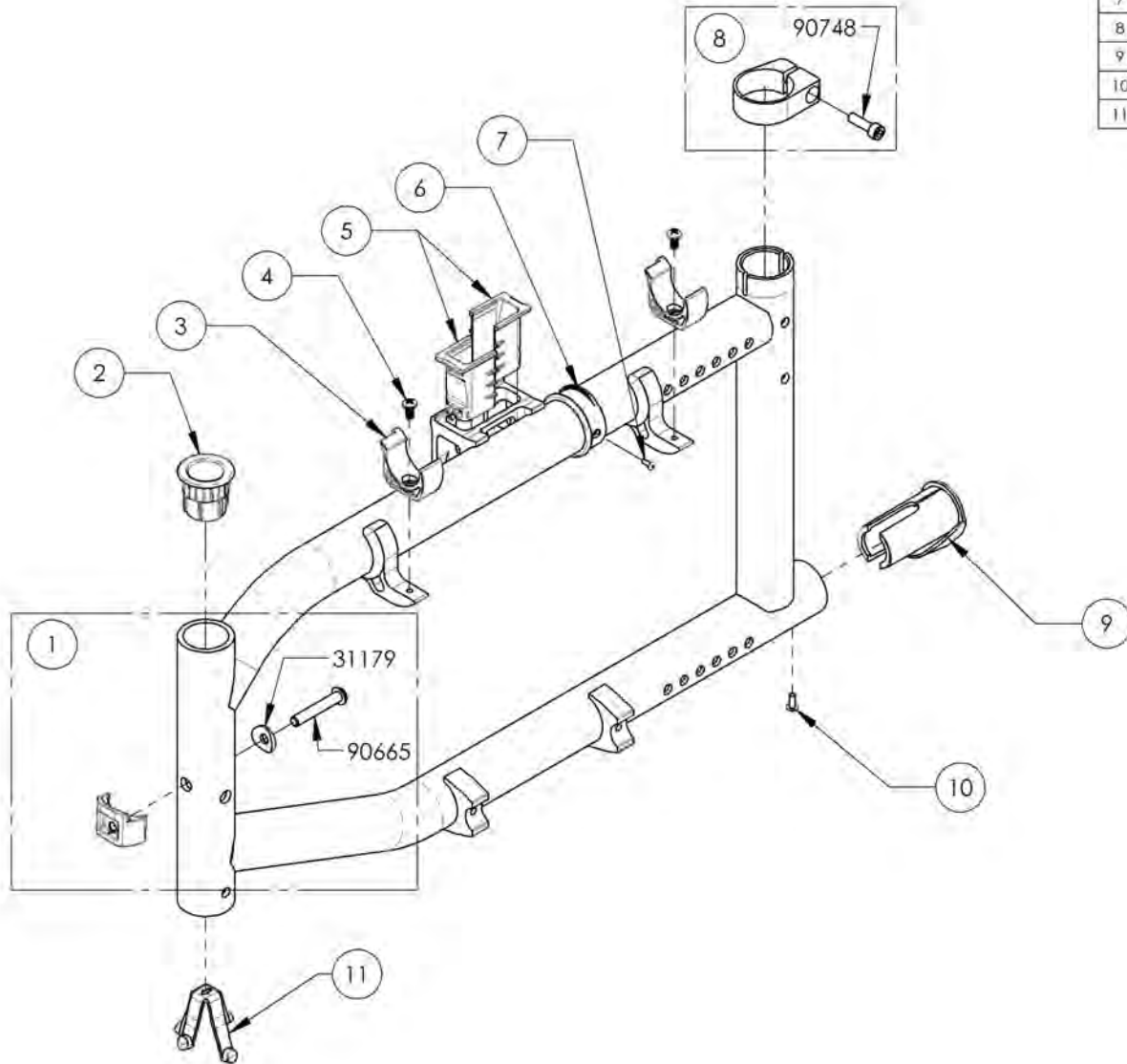
ITEM NO.	PARTNO	DESCRIPTION	QTY.
1	9007646	Frame - Aluminium, Type 2, Right, 14 in Seat Depth, Regular (Specify Color)	1
2	9007653	Frame - Aluminium, Type 2, Left, 14 in Seat Depth, Regular (Specify Color)	1
3	9007647	Frame - Aluminium, Type 2, Right, 15 in Seat Depth, Regular (Specify Color)	1
4	9007654	Frame - Aluminium, Type 2, Left, 15 in Seat Depth, Regular (Specify Color)	1
5	9007648	Frame - Aluminium, Type 2, Right, 16 in Seat Depth, Regular (Specify Color)	1
6	9007655	Frame - Aluminium, Type 2, Left, 16 in Seat Depth, Regular (Specify Color)	1
7	9007649	Frame - Aluminium, Type 2, Right, 17 in Seat Depth, Regular (Specify Color)	1
8	9007656	Frame - Aluminium, Type 2, Left, 17 in Seat Depth, Regular (Specify Color)	1
9	9007650	Frame - Aluminium, Type 2, Right, 18 in Seat Depth, Regular (Specify Color)	1
10	9007657	Frame - Aluminium, Type 2, Left, 18 in Seat Depth, Regular (Specify Color)	1
11	9007651	Frame - Aluminium, Type 2, Right, 19 in Seat Depth, Regular (Specify Color)	1
12	9007658	Frame - Aluminium, Type 2, Left, 19 in Seat Depth, Regular (Specify Color)	1
13	9007652	Frame - Aluminium, Type 2, Right, 20 in Seat Depth, Regular (Specify Color)	1
14	9007659	Frame - Aluminium, Type 2, Left, 20 in Seat Depth, Regular (Specify Color)	1
15	9002366	X-Brace - Aluminium, Hydroformed, Type 2, 14 in Width (Specify Seat Depth)	1
16	9002367	X-Brace - Aluminium, Hydroformed, Type 2, 15 in Width (Specify Seat Depth)	1
17	9002368	X-Brace - Aluminium, Hydroformed, Type 2, 16 in Width (Specify Seat Depth)	1
18	9002369	X-Brace - Aluminium, Hydroformed, Type 2, 17 in Width (Specify Seat Depth)	1
19	9002370	X-Brace - Aluminium, Hydroformed, Type 2, 18 in Width (Specify Seat Depth)	1
20	9002371	X-Brace - Aluminium, Hydroformed, Type 2, 19 in Width (Specify Seat Depth)	1
21	9002372	X-Brace - Aluminium, Hydroformed, Type 2, 20 in Width (Specify Seat Depth)	1
22	9002373	X-Brace HD - Aluminium, Hydroformed, Type 2, 18 in Width (Specify Seat Depth)	1
23	9002374	X-Brace HD - Aluminium, Hydroformed, Type 2, 19 in Width (Specify Seat Depth)	1
24	9002375	X-Brace HD - Aluminium, Hydroformed, Type 2, 20 in Width (Specify Seat Depth)	1
25	9002376	X-Brace HD - Aluminium, Hydroformed, Type 2, 21 in Width (Specify Seat Depth)	1
26	9002377	X-Brace HD - Aluminium, Hydroformed, Type 2, 22 in Width (Specify Seat Depth)	1

MAKE SURE TO HAVE YOUR SERIAL NUMBER  
 NEARBY WHEN ORDERING PARTS FOR YOUR  
 MOTION COMPOSITES WHEELCHAIR



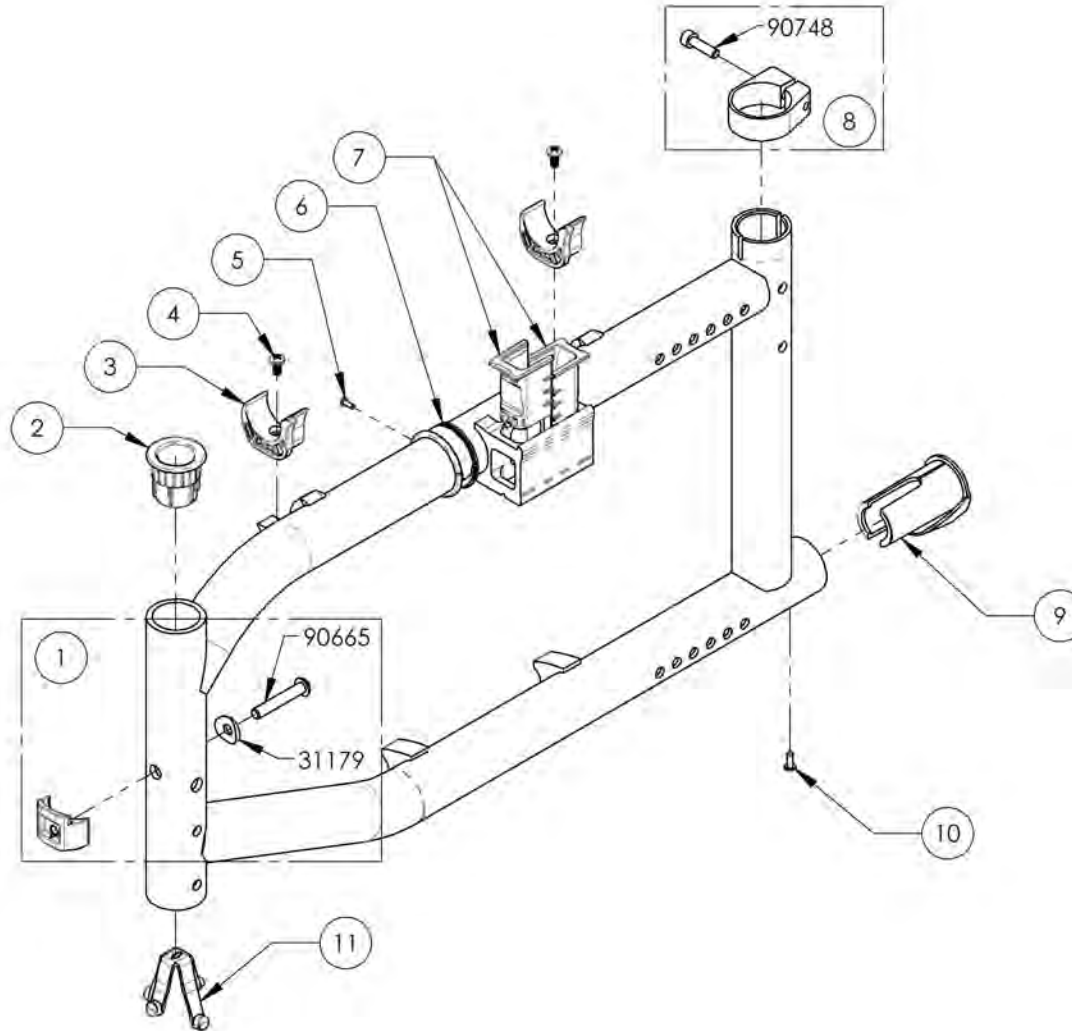
**9007646 9007652**  
**Frame - Aluminium, Type 2, Right (Specify Color)**

ITEM NO.	PARTNO	DESCRIPTION	QTY
1	31554	V2 FOOTREST ANCHOR - ASSEMBLY	1
2	11013	FOOTREST PIVOT SLEEVE	1
3	21023	H-BLOCK V2	2
4	90988	PAN HEAD PHILLIPS MACHINE SCREW M4 X 0.7 X 8mm + BLUE THREADLOCKER	2
5	33112	V2 ARMREST U CLAMP SLEEVE	2
6	12140	LINK GUIDE	1
7	99660	POP RIVET 3_32 D X .365 L X .126_250	1
8	32538	BACKREST CLAMP ID 32mm - ASSEMBLY	1
9	11033	ANTI-TIPPER BUMPER SLEEVE ALU FRAME	1
10	99661	POP RIVET 1_8 DIA X .328 LGHT (.126_187 GRIP)	1
11	10119	HOLE FILLER FOR FRAME	1

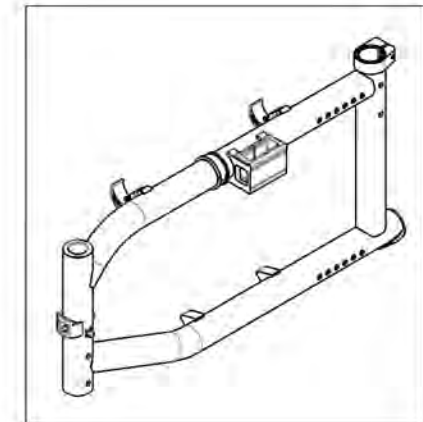


MAKE SURE TO HAVE YOUR SERIAL NUMBER  
 NEARBY WHEN ORDERING PARTS FOR YOUR  
 MOTION COMPOSITES WHEELCHAIR

**9007653 9007659**  
**Frame - Aluminium, Type 2, Left (Specify Color)**



ITEM NO.	PARTNO	DESCRIPTION	QTY
1	31554	V2 FOOTREST ANCHOR - ASSEMBLY	1
2	11013	FOOTREST PIVOT SLEEVE	1
3	21023	H-BLOCK V2	2
4	90988	PAN HEAD PHILLIPS MACHINE SCREW M4 X 0.7 X 8mm + BLUE THREADLOCKER	2
5	99660	POP RIVET 3_32 D X .365 L X .126_250	1
6	12140	LINK GUIDE	1
7	33112	V2 ARMREST U CLAMP SLEEVE	2
8	32538	BACKREST CLAMP ID 32mm - ASSEMBLY	1
9	11033	ANTI-TIPPER BUMPER SLEEVE ALU FRAME	1
10	99661	POP RIVET 1_8 DIA X .328 LGHT (.126_187 GRIP)	1
11	10119	HOLE FILLER FOR FRAME	1

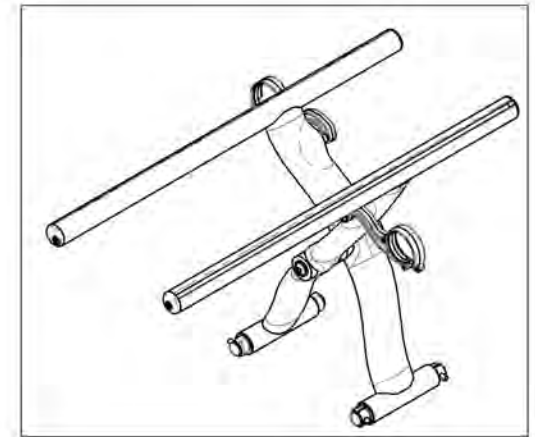
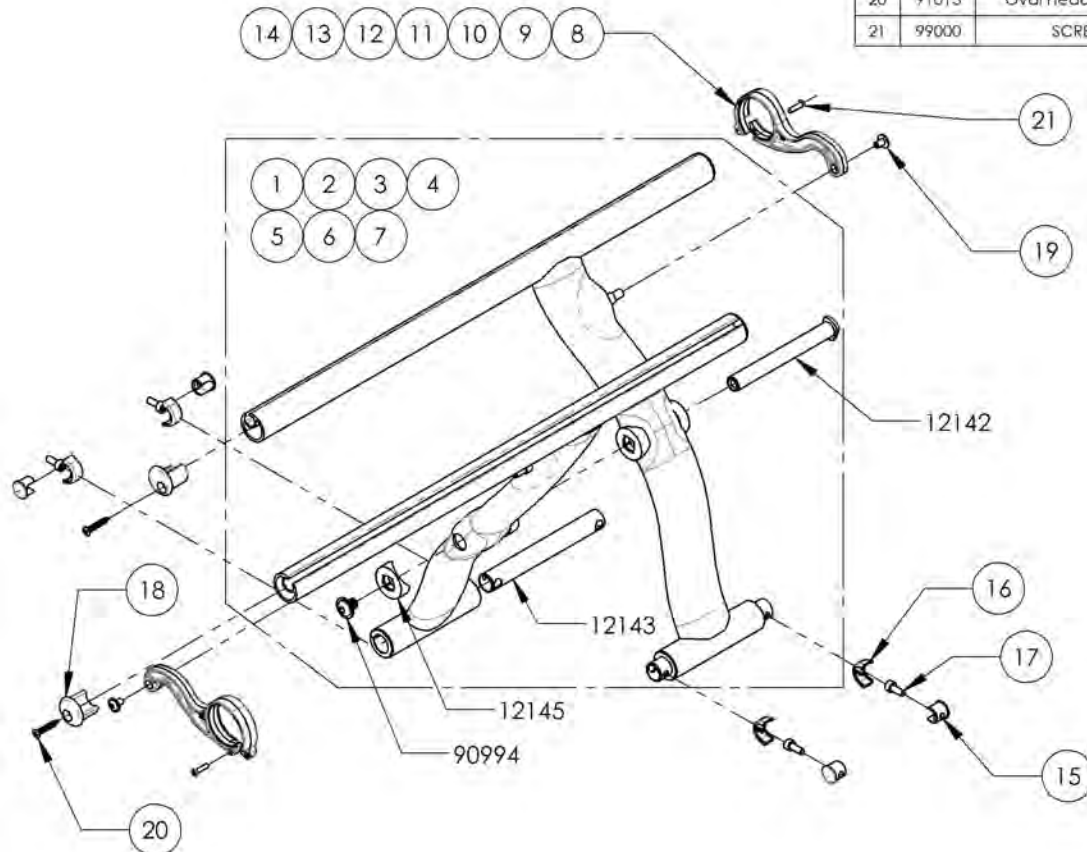


MAKE SURE TO HAVE YOUR SERIAL NUMBER  
 NEARBY WHEN ORDERING PARTS FOR YOUR  
 MOTION COMPOSITES WHEELCHAIR



**9002366\_9002372**  
**X-Brace - Aluminium, Hydroformed, Type 2 (Specify Seat Depth)**

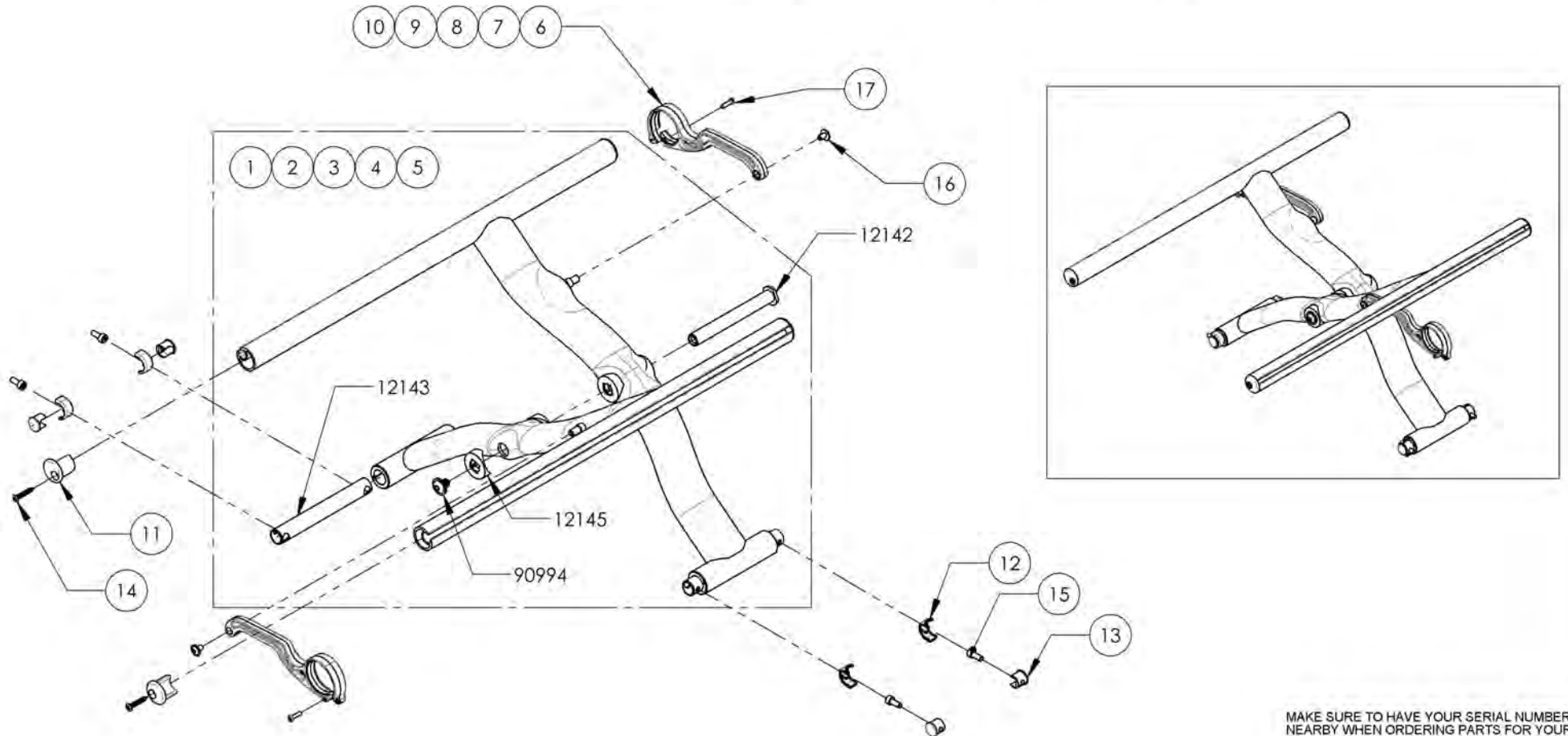
ITEM NO.	PARTNO	DESCRIPTION	9002366 /QTY.	9002367 /QTY.	9002368 /QTY.	9002369 /QTY.	9002370 /QTY.	9002371 /QTY.	9002372 /QTY.
1	10516	HYDROFORMED XBRACE 14in - PAIR ASSEMBLY	1	-	-	-	-	-	-
2	10517	HYDROFORMED XBRACE 15in - PAIR ASSEMBLY	-	1	-	-	-	-	-
3	10518	HYDROFORMED XBRACE 16in - PAIR ASSEMBLY	-	-	1	-	-	-	-
4	10519	HYDROFORMED XBRACE 17in - PAIR ASSEMBLY	-	-	-	1	-	-	-
5	10520	HYDROFORMED XBRACE 18in - PAIR ASSEMBLY	-	-	-	-	1	-	-
6	10521	HYDROFORMED XBRACE 19in - PAIR ASSEMBLY	-	-	-	-	-	1	-
7	10522	HYDROFORMED XBRACE 20in - PAIR ASSEMBLY	-	-	-	-	-	-	1
8	12154	14in A7_C2 LINK	2	-	-	-	-	-	-
9	12155	15in A7_C2 LINK	-	2	-	-	-	-	-
10	12156	16in A7_C2 LINK	-	-	2	-	-	-	-
11	12157	17in A7_C2 LINK	-	-	-	2	-	-	-
12	12158	18in A7_C2 LINK	-	-	-	-	2	-	-
13	12159	19in A7_C2 LINK	-	-	-	-	-	2	-
14	12160	20in A7_C2 LINK	-	-	-	-	-	-	2
15	12150	C2 XBRACE BASE PIVOT SHAFT ALU PLUG	4	4	4	4	4	4	4
16	12149	C2 XBRACE BASE PIVOT SHAFT PLASTIC CAP	4	4	4	4	4	4	4
17	90744	SOCKET CAP SCREW M5X0.8 X 12mm LONG, FULLY THREADED + BLUE TREADLOCKER - BLACK ZINC	4	4	4	4	4	4	4
18	12009	SLOTTED SEAT TUBE PLUG	2	2	2	2	2	2	2
19	91009	FLANGE BUTTON HEAD CAP SCREW, M5X.8 X 8mm	2	2	2	2	2	2	2
20	91013	Oval Head Phillips Screw for Sheet Metal #8 X 1"	2	2	2	2	2	2	2
21	99000	SCREW PHILLIPS PAN HD #6-32 X 1/2	2	2	2	2	2	2	2



MAKE SURE TO HAVE YOUR SERIAL NUMBER NEARBY WHEN ORDERING PARTS FOR YOUR MOTION COMPOSITES WHEELCHAIR

**9002373 9002377**  
**X-Brace HD - Aluminium, Hydroformed, Type 2 (Specify Seat Depth)**

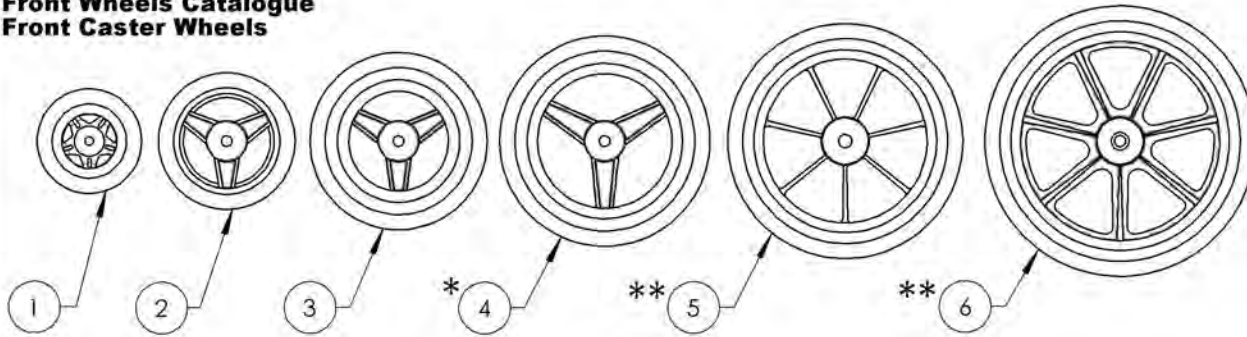
ITEM NO.	PARTNO	DESCRIPTION	9002373 /QTY.	9002374 /QTY.	9002375 /QTY.	9002376 /QTY.	9002377 /QTY.
1	10523	HYDROFORMED HD XBRACE 18in - PAIR ASSEMBLY	1	-	-	-	-
2	10524	HYDROFORMED HD XBRACE 19in - PAIR ASSEMBLY	-	1	-	-	-
3	10525	HYDROFORMED HD XBRACE 20in - PAIR ASSEMBLY	-	-	1	-	-
4	10526	HYDROFORMED HD XBRACE 21in - PAIR ASSEMBLY	-	-	-	1	-
5	10527	HYDROFORMED HD XBRACE 22in - PAIR ASSEMBLY	-	-	-	-	1
6	12158	18in A7_C2 LINK	2	-	-	-	-
7	12159	19in A7_C2 LINK	-	2	-	-	-
8	12160	20in A7_C2 LINK	-	-	2	-	-
9	12161	21in A7_C2 LINK	-	-	-	2	-
10	12162	22in A7_C2 LINK	-	-	-	-	2
11	12009	SLOTTED SEAT TUBE PLUG	2	2	2	2	2
12	12149	C2 XBRACE BASE PIVOT SHAFT PLASTIC CAP	4	4	4	4	4
13	12150	C2 XBRACE BASE PIVOT SHAFT ALU PLUG	4	4	4	4	4
14	91013	Oval Head Phillips Screw for Sheet Metal #8 X 1"	2	2	2	2	2
15	90744	SOCKET CAP SCREW M5X0.8 X 12mm LONG, FULLY THREADED + BLUE TREADLOCKER - BLACK ZINC	4	4	4	4	4
16	91009	FLANGE BUTTON HEAD CAP SCREW, M5X.8 X 8mm	2	2	2	2	2
17	99000	SCREW PHILLIPS PAN HD #6-32 X 1/2	2	2	2	2	2



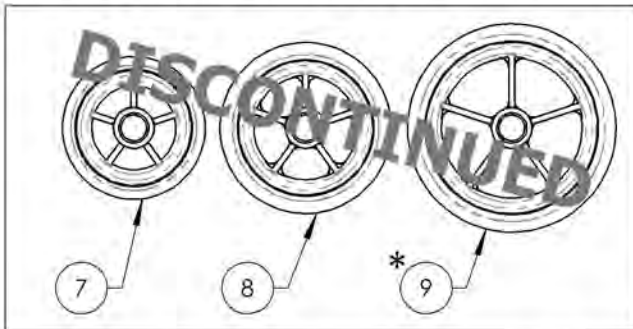
MAKE SURE TO HAVE YOUR SERIAL NUMBER NEARBY WHEN ORDERING PARTS FOR YOUR MOTION COMPOSITES WHEELCHAIR



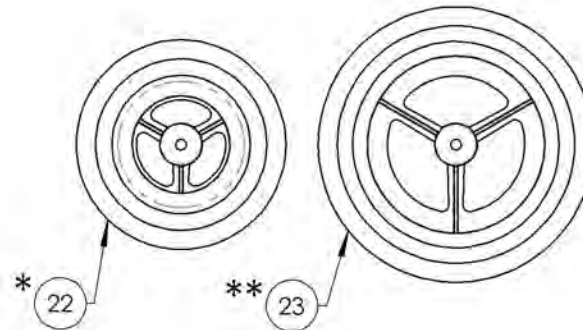
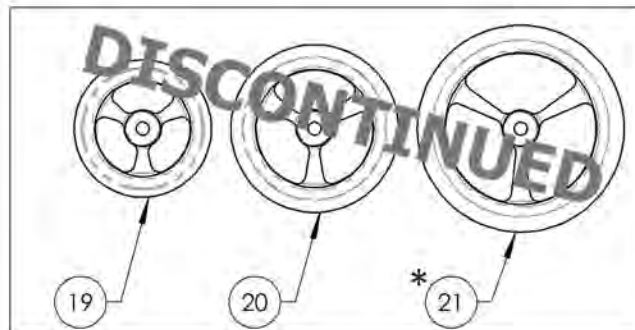
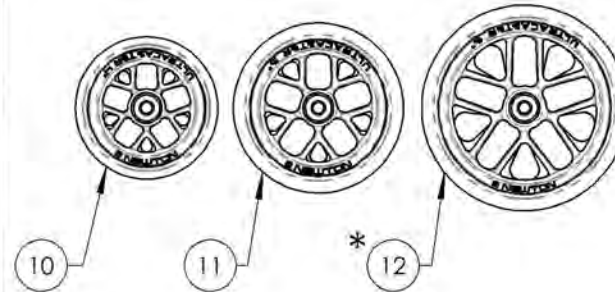
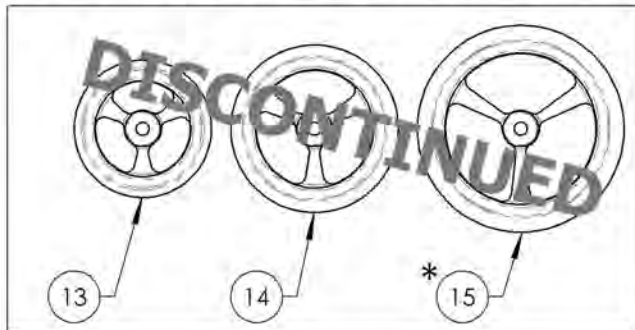
**Front Wheels Catalogue**  
**Front Caster Wheels**



REPLACED BY #9002843, #9002844 & #9002845



REPLACED BY #9002846, #9002847 & #9002848



ITEM NO.	PARTNO	DESCRIPTION	QTY.
1	9001457	Caster - Composites, 3x1 in	1
2	9001458	Caster - Composites, 4x1 in	1
3	9001459	Caster - Composites, 5x1 in	1
4 *	9001460	Caster - Composites, 6x1 in	1
5 **	9001461	Caster - Composites, 7x1 in	1
6 **	9001462	Caster - Composites, 8x1 in	1
7	9001463	Caster - Composites Soft-Roll, 4x1½ in	1
8	9001464	Caster - Composites Soft-Roll, 5x1½ in	1
9 *	9001465	Caster - Composites Soft-Roll, 6x1½ in	1
10	9002843	Newton UltraCaster - Composites, 4 x 1½ in	1
11	9002844	Newton UltraCaster - Composites, 5 x 1½ in	1
12 *	9002845	Newton UltraCaster - Composites, 6 x 1½ in	1
13	9002213	Caster - Aluminum Soft-Roll, 4x1½ in	1
14	9002214	Caster - Aluminum Soft-Roll, 5x1½ in	1
15 *	9002215	Caster - Aluminum Soft-Roll, 6x1½ in	1
16	9002846	Newton UltraCaster - Aluminium, 4 x 1½ in	1
17	9002847	Newton UltraCaster - Aluminium, 5 x 1½ in	1
18 *	9002848	Newton UltraCaster - Aluminium, 6 x 1½ in	1
19	9001466	Caster - Court Wheel Aluminium, 4x1 in	1
20	9001467	Caster - Court Wheel Aluminium, 5x1 in	1
21 *	9001468	Caster - Court Wheel Aluminium, 6x1 in	1
22 *	9001469	Caster - Pneumatic, 6x1¼ in	1
23 **	9001470	Caster - Pneumatic, 8x1¼ in	1

\* :NOT AVAILABLE WITH VELOCE MONOARM FORK  
\*\* :NOT AVAILABLE WITH VELOCE & APEX FORK

**BEARING REPLACEMENT**

**NEWTON ULTRACASTER WHEELS**

9002843, 9002844, 9002845,  
9002846, 9002847, 9002848,

**SOFT-ROLL & COURT WHEELS**

9001463, 9001464, 9001465,  
9002213, 9002214, 9002215,  
9001466, 9001467 & 9001468

Part#: **22037**

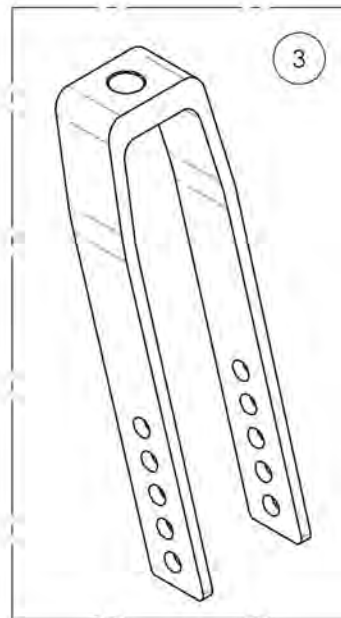
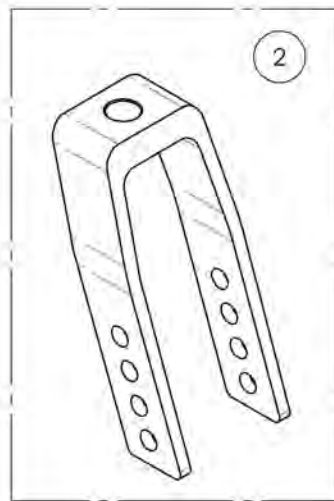
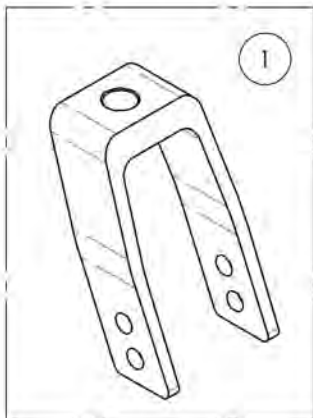
**COMPOSITES & PNEUMATIC CASTER WHEELS**

9001457, 9001458, 9001459, 9001460,  
9001461, 9001462, 9001469 & 9001470

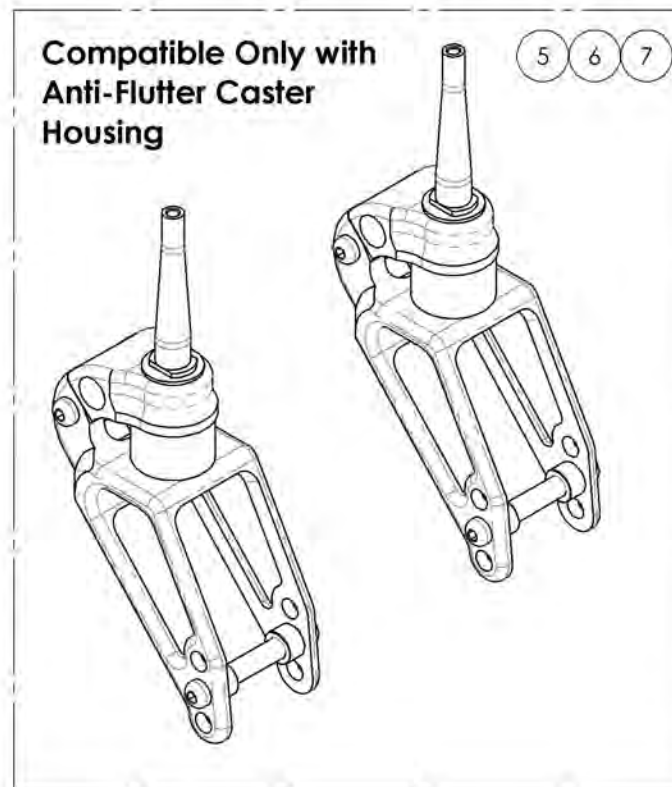
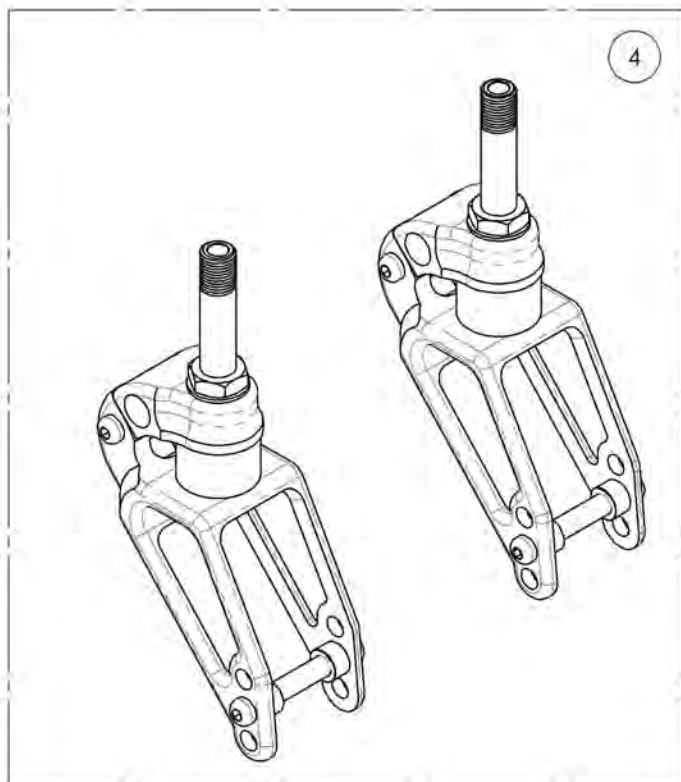
Part#: **22038**

MAKE SURE TO HAVE YOUR SERIAL NUMBER  
NEARBY WHEN ORDERING PARTS FOR YOUR  
MOTION COMPOSITES WHEELCHAIR

**Front Wheels Catalogue  
Forks**



ITEM NO.	PARTNO	DESCRIPTION	QTY.
1	9001450	Fork - 4 in	1
2	9001451	Fork - 5 in	1
3	9001452	Fork - 7 in	1
4	9001449	Suspension Fork - Frog Leg	1
5	9002413	Suspension Fork - Frog Leg, Anti-Flutter Caster Housing, STD Stem Bolt	1
6	9002414	Suspension Fork - Frog Leg, Anti-Flutter Caster Housing, +1 in Stem Bolt	1
7	9002415	Suspension Fork - Frog Leg, Anti-Flutter Caster Housing, +2 in Stem Bolt	1

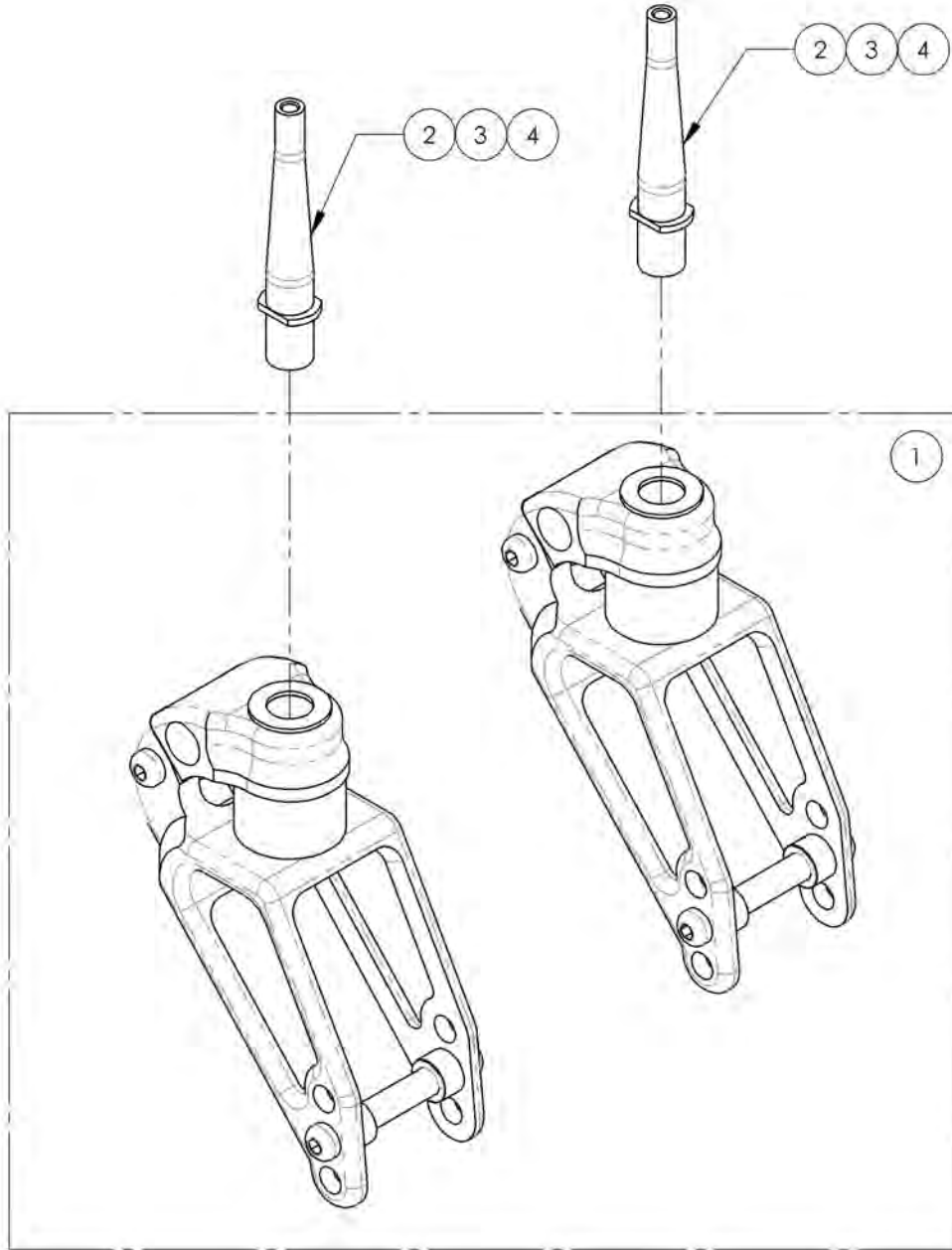


MAKE SURE TO HAVE YOUR SERIAL NUMBER  
NEARBY WHEN ORDERING PARTS FOR YOUR  
MOTION COMPOSITES WHEELCHAIR

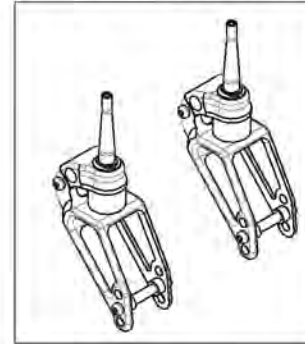


**9002413\_9002415**  
**Suspension Fork - Frog Leg, Anti-Flutter Caster Housing**

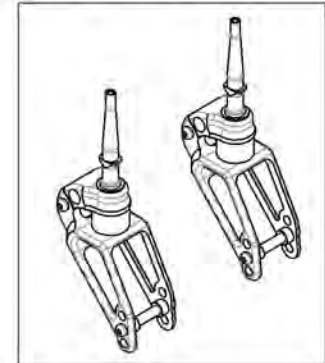
ITEM NO.	PARTNO	DESCRIPTION	9002413 /QTY.	9002414 /QTY.	9002415 /QTY.
1	22120	FROG LEGS SHOCK ABSORBERS FORK (PAIR)	1	1	1
2	22153	FROG LEGS SHOCK ABSORBER FORK ANTI-FLUTTER STD STEM BOLT	2	-	-
3	22154	FROG LEGS SHOCK ABSORBER FORK ANTI-FLUTTER +1 STEM BOLT	-	2	-
4	22155	FROG LEGS SHOCK ABSORBER FORK ANTI-FLUTTER +2 STEM BOLT	-	-	2



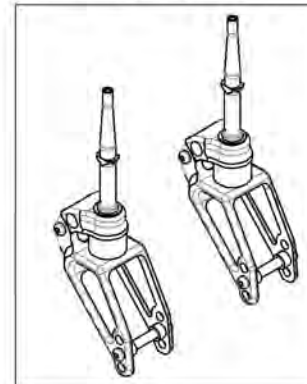
9002413  
 Suspension Fork - Frog Leg, Anti-Flutter  
 Caster Housing, STD Stem Bolt



9002414  
 Suspension Fork - Frog Leg, Anti-Flutter  
 Caster Housing, +1 in Stem Bolt



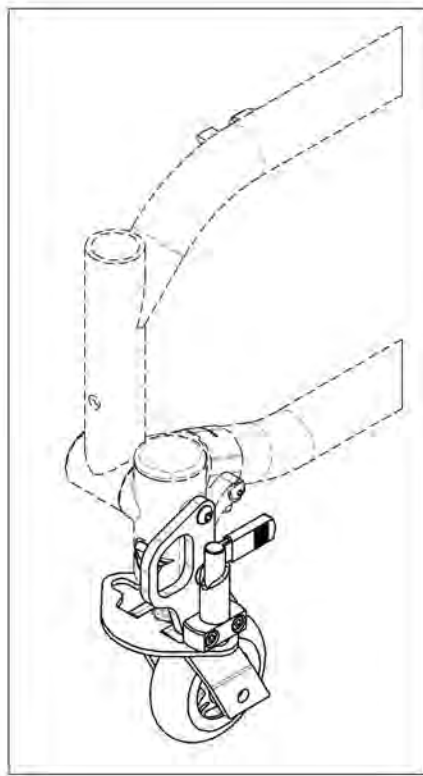
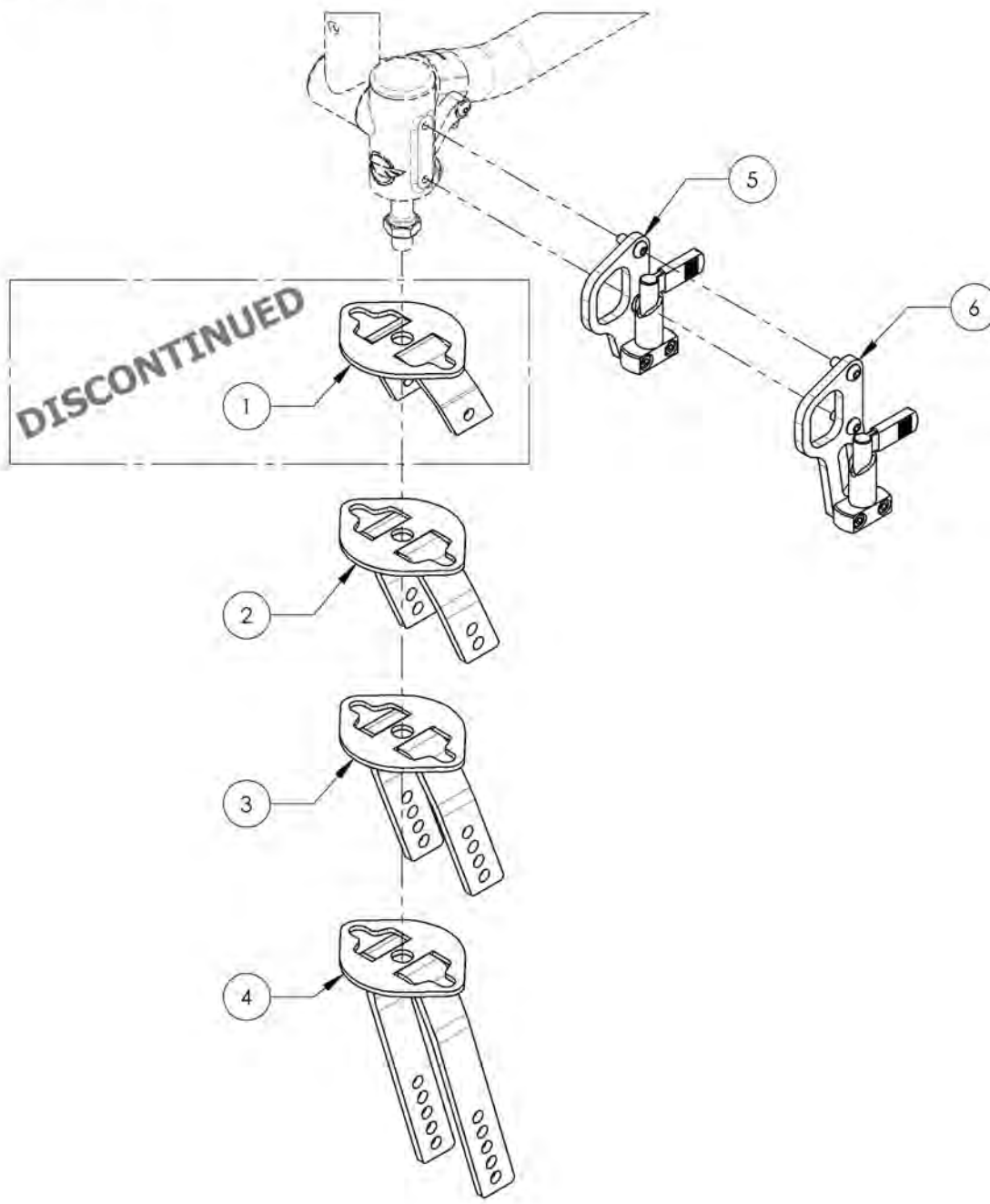
9002415  
 Suspension Fork - Frog Leg, Anti-Flutter  
 Caster Housing, +2 in Stem Bolt



MAKE SURE TO HAVE YOUR SERIAL NUMBER  
 NEARBY WHEN ORDERING PARTS FOR YOUR  
 MOTION COMPOSITES WHEELCHAIR

**Front Wheels Catalogue  
Caster Lock Pin**

ITEM NO.	PARTNO	DESCRIPTION	QTY
1	9001453	Fork - 3 in For Caster Lock Pin	1
2	9001454	Fork - 4 in For Caster Lock Pin	1
3	9001455	Fork - 5 in For Caster Lock Pin	1
4	9001456	Fork - 7 in For Caster Lock Pin	1
5	9001623	Tie Down - Front, Wheelchair Transit, With +1 in Caster Lock Pin	1
6	9001624	Tie Down - Front, Wheelchair Transit, With +2 in Caster Lock Pin	1

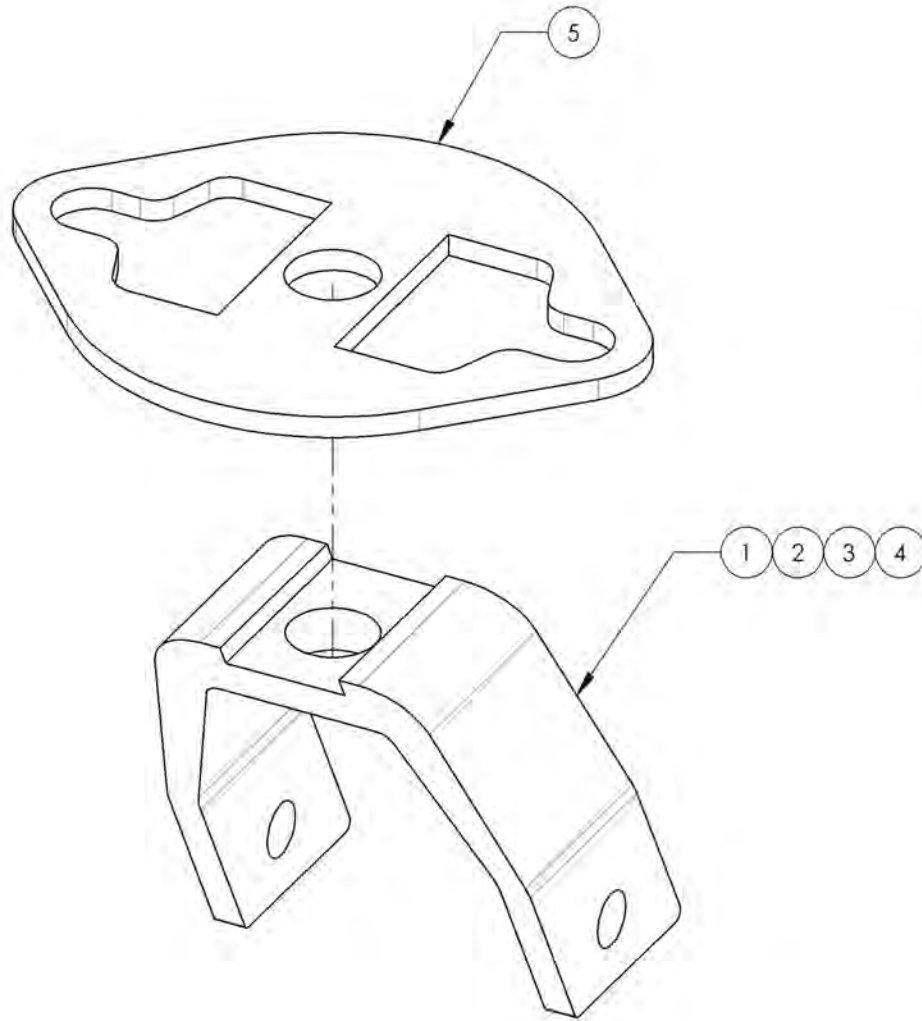


MAKE SURE TO HAVE YOUR SERIAL NUMBER  
NEARBY WHEN ORDERING PARTS FOR YOUR  
MOTION COMPOSITES WHEELCHAIR



**9001453 9001456  
Forks - For Caster Lock Pin**

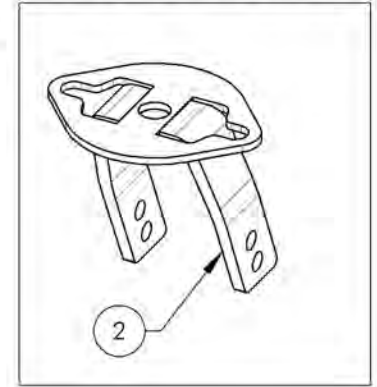
ITEM NO.	PARTNO	DESCRIPTION	9001453 /QTY.	9001454 /QTY.	9001455 /QTY.	9001456 /QTY.
1	22067	3"x1½" MACHINED FORK FOR CASTER LOCK PIN	1	-	-	-
2	22064	4"x2" MACHINED FORK FOR CASTER LOCK PIN	-	1	-	-
3	22065	5"x2" MACHINED FORK FOR CASTER LOCK PIN	-	-	1	-
4	22066	7"x2" MACHINED FORK FOR CASTER LOCK PIN	-	-	-	1
5	22060	CASTER LOCK PIN PLATE	1	1	1	1



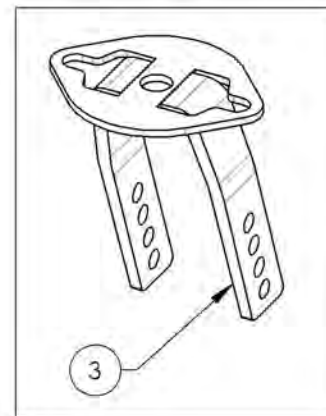
9001453  
Fork - 3 in For Caster Lock Pin



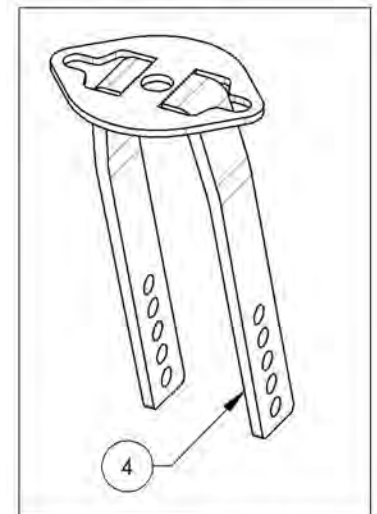
9001454  
Fork - 4 in For Caster Lock Pin



9001455  
Fork - 5 in For Caster Lock Pin



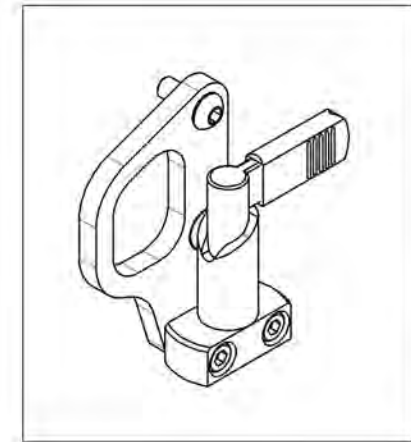
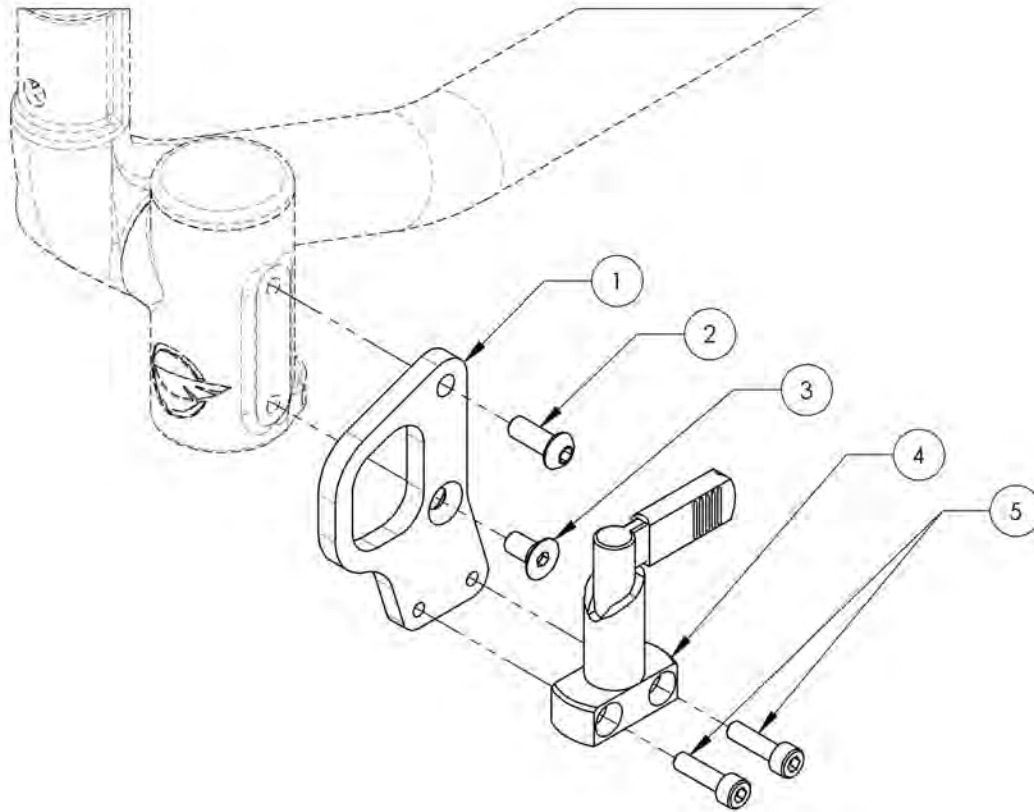
9001456  
Fork - 7 in For Caster Lock Pin



MAKE SURE TO HAVE YOUR SERIAL NUMBER  
NEARBY WHEN ORDERING PARTS FOR YOUR  
MOTION COMPOSITES WHEELCHAIR

**9001623****Tie Down - Front, Wheelchair Transit, With +1 in Caster Lock Pin**

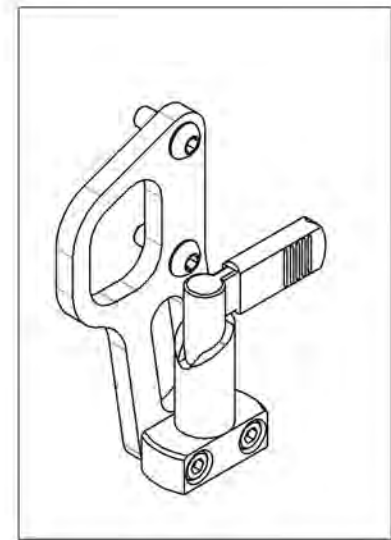
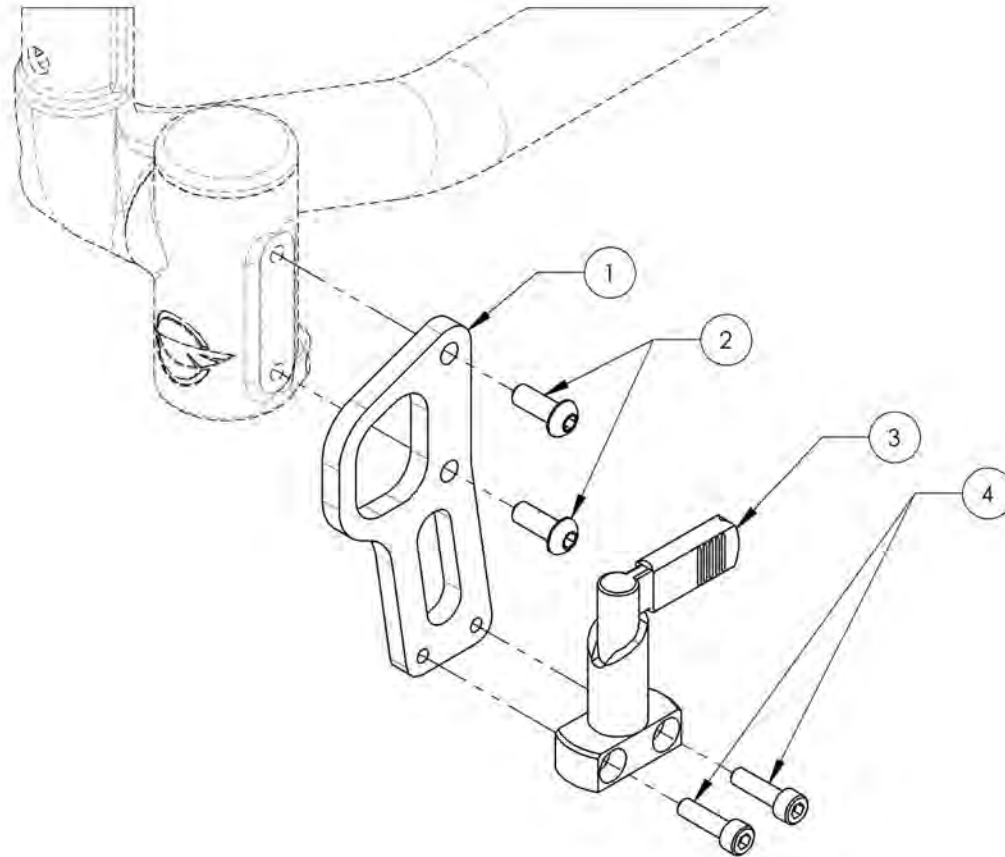
ITEM NO.	PARTNO	DESCRIPTION	9001623 /QTY.
1	22061	FRONT TIE DOWN +1 FOR CASTER LOCK PIN	1
2	90659	BUTTON HEAD CAP SCREW M6X1 X 16mm LONG, FULLY THREADED + BLUE THREADLOCKER - BLACK ZINC	1
3	90864	FLAT HEAD CAP SCREW M6X1 X 12mm LONG, FULLY THREADED + BLUE THREADLOCKER - BLACK ZINC	1
4	22063	SLIDER LOCK FOR CASTER LOCK PIN	1
5	90748	SOCKET CAP SCREW M5X0.8 X 18mm LONG, FULLY THREADED + BLUE TREADLOCKER - BLACK ZINC	2



MAKE SURE TO HAVE YOUR SERIAL NUMBER  
NEARBY WHEN ORDERING PARTS FOR YOUR  
MOTION COMPOSITES WHEELCHAIR

**9001624**  
**Tie Down - Front, Wheelchair Transit, With +2 in Caster Lock Pin**

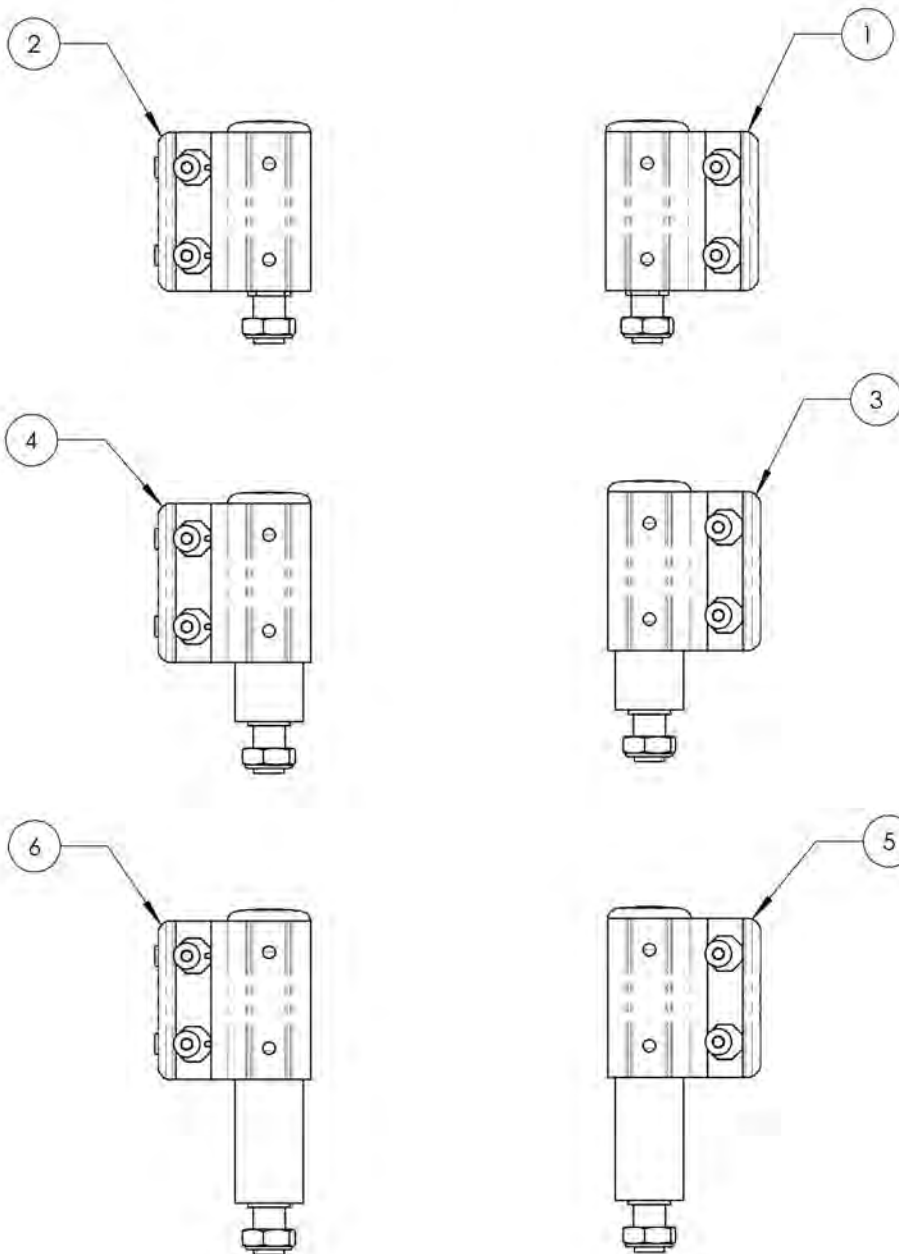
ITEM NO.	PARTNO	DESCRIPTION	9001624 /QTY.
1	22062	FRONT TIE DOWN +2 FOR CASTER LOCK PIN	1
2	90659	BUTTON HEAD CAP SCREW M6X1 X 16mm LONG, FULLY THREADED + BLUE THREADLOCKER - BLACK ZINC	2
3	22063	SLIDER LOCK FOR CASTER LOCK PIN	1
4	90748	SOCKET CAP SCREW M5X0.8 X 18mm LONG, FULLY THREADED + BLUE TREADLOCKER - BLACK ZINC	2



MAKE SURE TO HAVE YOUR SERIAL NUMBER  
 NEARBY WHEN ORDERING PARTS FOR YOUR  
 MOTION COMPOSITES WHEELCHAIR

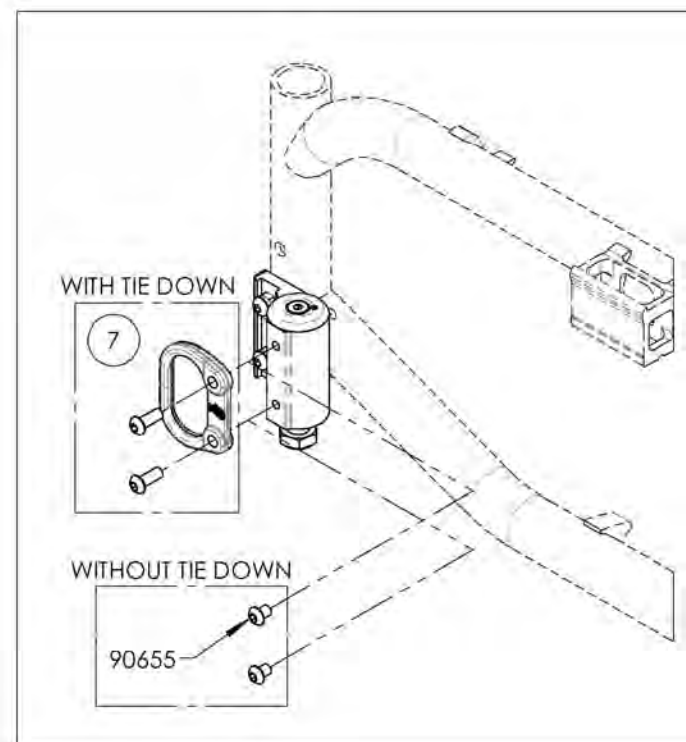


**Front Wheels Catalogue**  
**Multi-Position Insert Anti-Flutter Caster Housing**



ITEM NO.	PARTNO	DESCRIPTION	QTY
1	9002418	Caster Housing - Anti-Flutter, Right, STD Stem Bolt	1
2	9002421	Caster Housing - Anti-Flutter, Left, STD Stem Bolt	1
3	9002419	Caster Housing - Anti-Flutter, Right, +1 in Stem Bolt	1
4	9002422	Caster Housing - Anti-Flutter, Left, +1 in Stem Bolt	1
5	9002420	Caster Housing - Anti-Flutter, Right, +2 in Stem Bolt	1
6	9002423	Caster Housing - Anti-Flutter, Left, +2 in Stem Bolt	1
7	9001622	Tie Down - Front, Wheelchair Transit	1

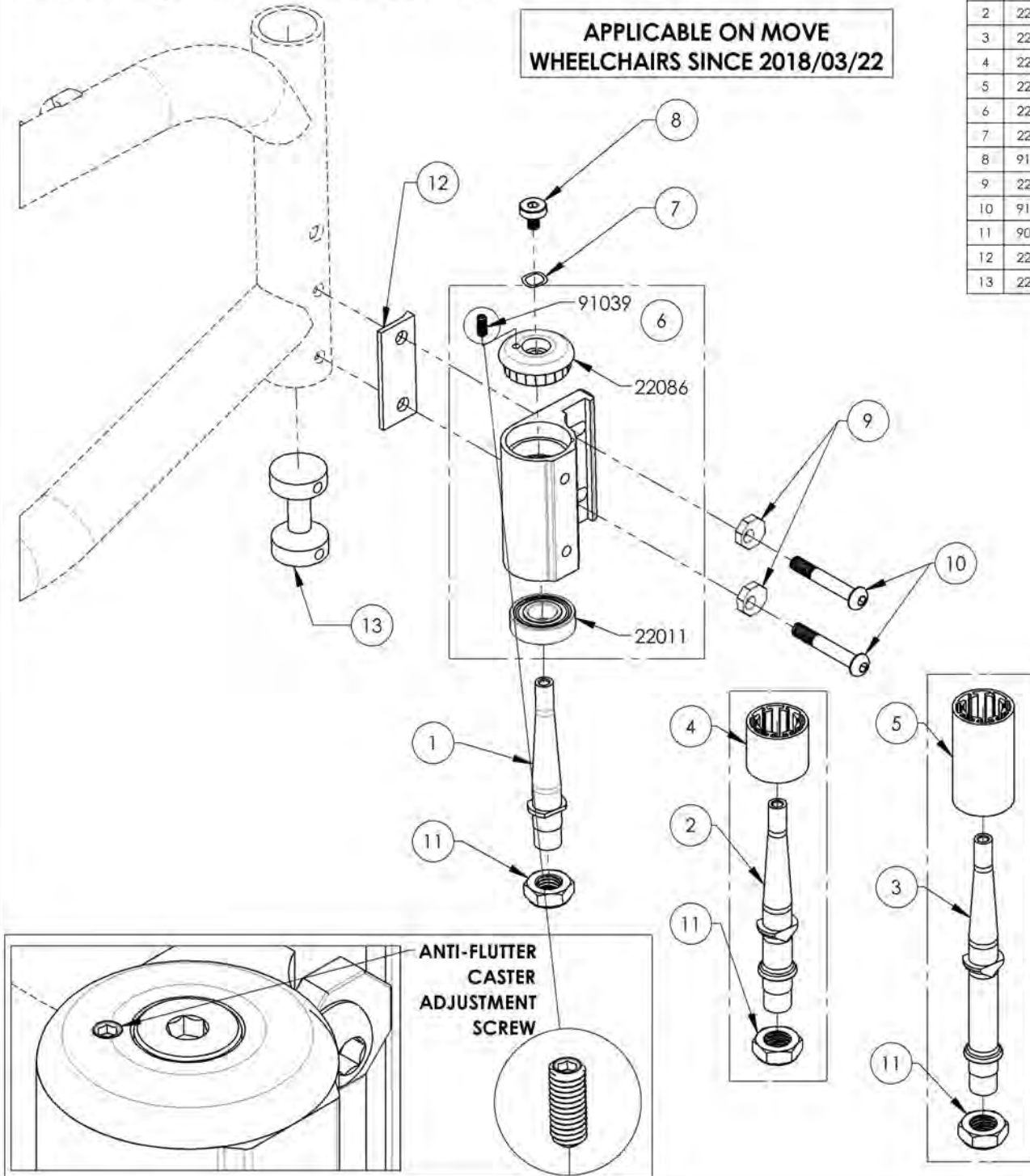
**APPLICABLE ON MOVE  
WHEELCHAIRS SINCE 2018/03/22**



MAKE SURE TO HAVE YOUR SERIAL NUMBER  
NEARBY WHEN ORDERING PARTS FOR YOUR  
MOTION COMPOSITES WHEELCHAIR

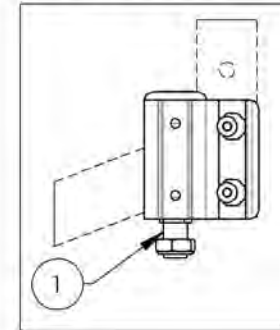
**9002418\_9002420**  
**Caster Housing - Anti-Flutter, Right + Stem Bolt**

**APPLICABLE ON MOVE  
 WHEELCHAIRS SINCE 2018/03/22**

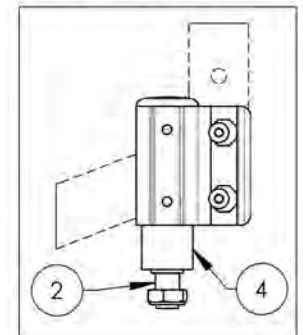


ITEM NO.	PARTNO	DESCRIPTION	9002418 /QTY.	9002419 /QTY.	9002420 /QTY.
1	22090	STEM BOLT STD	1	-	-
2	22091	STEM BOLT + 1 in	-	1	-
3	22092	STEM BOLT + 2 in	-	-	1
4	22149	STEM BOLT COVER +1 in	-	1	-
5	22150	STEM BOLT COVER +2 in	-	-	1
6	22524	T2 ANTI-FLUTTER CASTER HOUSING, RIGHT - ASSEMBLY	1	1	1
7	22095	TRIPLE-WAVE STEEL WASHER 0.320in ID, 0.437in OD	1	1	1
8	91038	MACHINE SCREW M5X0.8 X 12mm	1	1	1
9	22080	T2 ECCENTRIC CASTER HOUSING INSERT	2	2	2
10	91019	BUTTON HEAD CAP SCREW M6X1 X 40mm PARTIAL THREAD	2	2	2
11	90992	M12 LOW NYLON LOCK	1	1	1
12	22082	T2 CASTER HOUSING DOUBLE COVERED	1	1	1
13	22081	T2 CASTER HOUSING PLUG	1	1	1

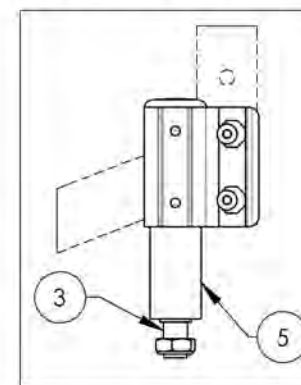
**9002418**  
 Caster Housing - Anti-Flutter,  
 Right, STD Stem Bolt



**9002419**  
 Caster Housing - Anti-Flutter,  
 Right, +1 in Stem Bolt



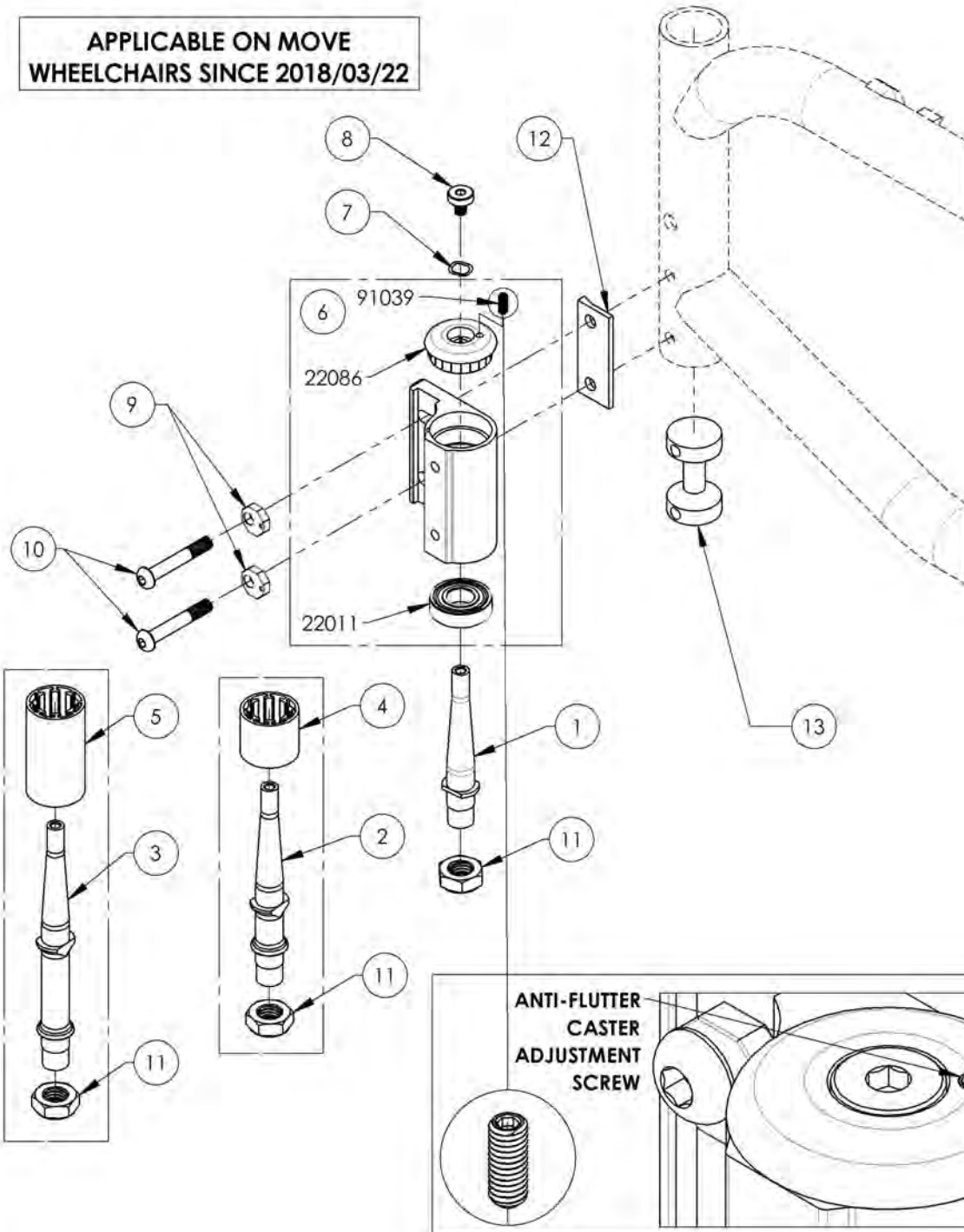
**9002420**  
 Caster Housing - Anti-Flutter,  
 Right, +2 in Stem Bolt



MAKE SURE TO HAVE YOUR SERIAL NUMBER  
 NEARBY WHEN ORDERING PARTS FOR YOUR  
 MOTION COMPOSITES WHEELCHAIR

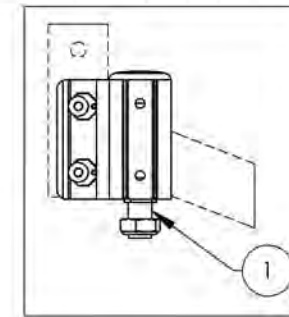
**9002421 9002423**  
**Caster Housing - Anti-Flutter, Left + Stem Bolt**

**APPLICABLE ON MOVE  
 WHEELCHAIRS SINCE 2018/03/22**

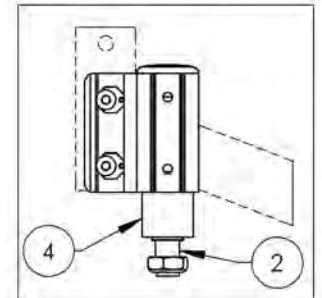


ITEM NO.	PARTNO	DESCRIPTION	9002421 /QTY.	9002422 /QTY.	9002423 /QTY.
1	22090	STEM BOLT STD	1	-	-
2	22091	STEM BOLT + 1 in	-	1	-
3	22092	STEM BOLT + 2 in	-	-	1
4	22149	STEM BOLT COVER +1 in	-	1	-
5	22150	STEM BOLT COVER +2 in	-	-	1
6	22525	T2 ANTI-FLUTTER CASTER HOUSING, LEFT - ASSEMBLY	1	1	1
7	22095	TRIPLE-WAVE STEEL WASHER 0.320in ID, 0.437in OD	1	1	1
8	91038	MACHINE SCREW M5X0.8 X 12mm	1	1	1
9	22080	T2 ECCENTRIC CASTER HOUSING INSERT	2	2	2
10	91019	BUTTON HEAD CAP SCREW M6X1 X 40mm PARTIAL THREAD	2	2	2
11	90992	M12 LOW NYLON LOCK	1	1	1
12	22082	T2 CASTER HOUSING DOUBLE COVERED	1	1	1
13	22081	T2 CASTER HOUSING PLUG	1	1	1

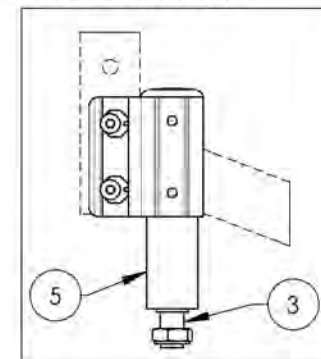
**9002421**  
 Caster Housing - Anti-Flutter,  
 Left, STD Stem Bolt



**9002422**  
 Caster Housing - Anti-Flutter,  
 Left, +1 in Stem Bolt



**9002423**  
 Caster Housing - Anti-Flutter,  
 Left, +2 in Stem Bolt

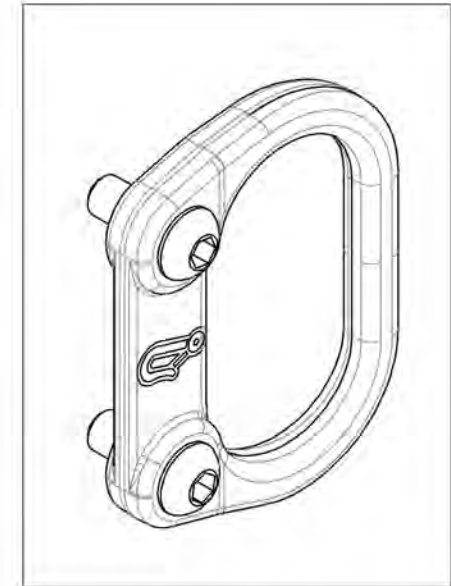
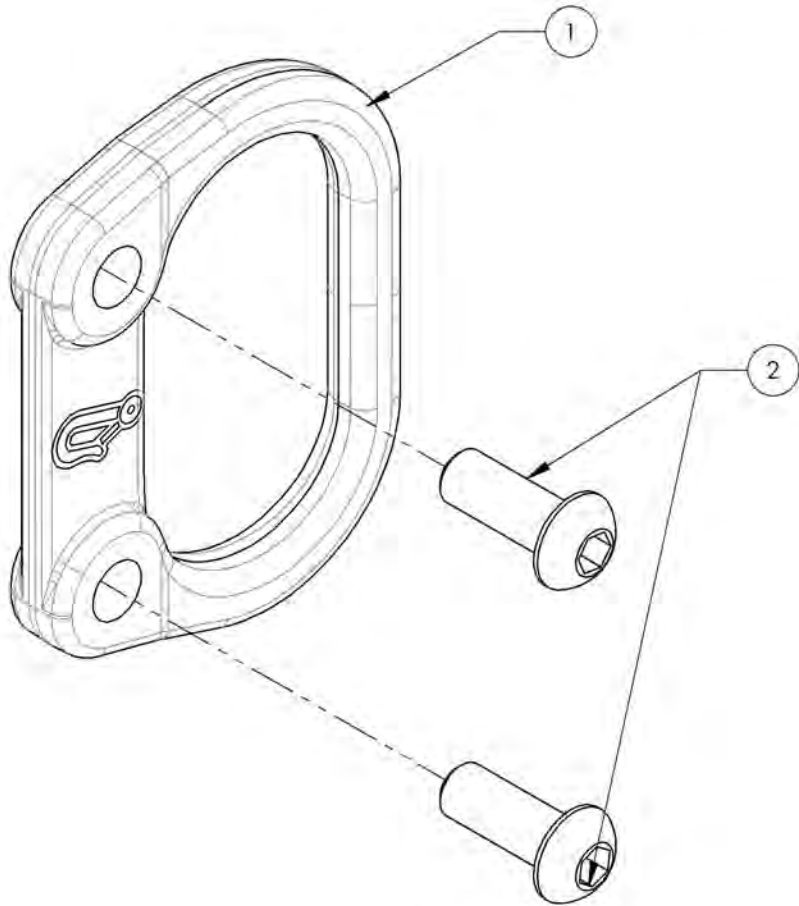


MAKE SURE TO HAVE YOUR SERIAL NUMBER  
 NEARBY WHEN ORDERING PARTS FOR YOUR  
 MOTION COMPOSITES WHEELCHAIR



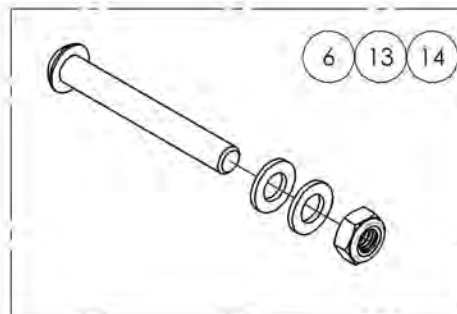
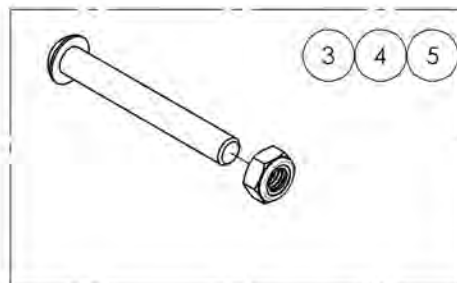
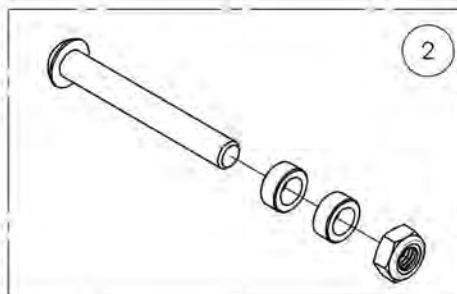
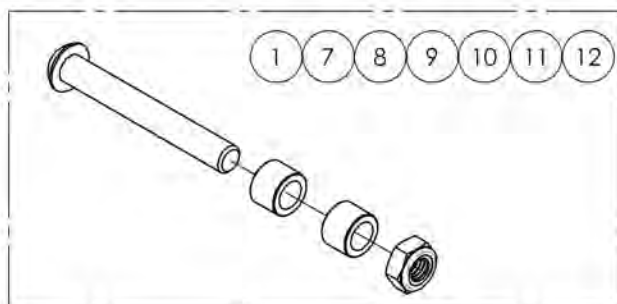
**9001622**  
**Tie Down - Front, Wheelchair Transit**

ITEM NO.	PARTNO	DESCRIPTION	9001622 /QTY.
1	22004	FRONT TIE DOWN	1
2	90659	BUTTON HEAD CAP SCREW M6X1 X 16mm LONG, FULLY THREADED + BLUE THREADLOCKER - BLACK ZINC	2



MAKE SURE TO HAVE YOUR SERIAL NUMBER  
NEARBY WHEN ORDERING PARTS FOR YOUR  
MOTION COMPOSITES WHEELCHAIR

**Front Wheels Catalogue  
Hardware**



ITEM NO.	PARTNO	DESCRIPTION	QTY.
1	9001416	Fork - Hardware For Composites Caster, 3x1 in	1
2	9001417	Fork - Hardware For Composites Caster, 4x1 in	1
3	9001418	Fork - Hardware For Composites Caster, 5x1 in	1
4	9001419	Fork - Hardware For Composites Caster, 6x1 in	1
5	9001420	Fork - Hardware For Composites Caster, 7x1 in	1
6	9001421	Fork - Hardware For Composites Caster, 8x1 in	1
7	9001422	Fork - Hardware For Newton Ultracaster, 4x1 1/2 in	1
8	9001423	Fork - Hardware For Newton Ultracaster, 5x1 1/2 in	1
9	9001424	Fork - Hardware For Newton Ultracaster, 6x1 1/2 in	1
10	9001425	Fork - Hardware For Court Wheel Aluminum Caster, 4x1 in	1
11	9001426	Fork - Hardware For Court Wheel Aluminum Caster, 5x1 in	1
12	9001427	Fork - Hardware For Court Wheel Aluminum Caster, 6x1 in	1
13	9001428	Fork - Hardware For Pneumatic Caster, 6x1 1/4 in	1
14	9001429	Fork - Hardware For Pneumatic Caster, 8x1 1/4 in	1

MAKE SURE TO HAVE YOUR SERIAL NUMBER  
NEARBY WHEN ORDERING PARTS FOR YOUR  
MOTION COMPOSITES WHEELCHAIR

**Footrests Catalogue**  
**Footrests - Swing-In/Swing-Out**

**AVAILABLE COLORS**  
 (Specify Color)



ITEM NO.	PARTNO	DESCRIPTION	QTY
1	9002946	Footrest - Swing-In/Swing-Out, Right, 60°, Short Extension - Black	1
2	9002948	Footrest - Swing-In/Swing-Out, Left, 60°, Short Extension - Black	1
3	9002950	Footrest - Swing-In/Swing-Out, Right, 60°, Short Extension (Specify Color)	1
4	9002953	Footrest - Swing-In/Swing-Out, Left, 60°, Short Extension (Specify Color)	1
5	9002947	Footrest - Swing-In/Swing-Out, Right, 70°, Short Extension - Black	1
6	9002949	Footrest - Swing-In/Swing-Out, Left, 70°, Short Extension - Black	1
7	9002951	Footrest - Swing-In/Swing-Out, Right, 70°, Short Extension (Specify Color)	1
8	9002954	Footrest - Swing-In/Swing-Out, Left, 70°, Short Extension (Specify Color)	1
9	9003081	Footrest - Swing-In/Swing-Out, Right, 80°, Short Extension - Black	1
10	9003082	Footrest - Swing-In/Swing-Out, Left, 80°, Short Extension - Black	1
11	9003083	Footrest - Swing-In/Swing-Out, Right, 80°, Short Extension (Specify Color)	1
12	9003084	Footrest - Swing-In/Swing-Out, Left, 80°, Short Extension (Specify Color)	1
13	9001330	Footrest - Swing-In/Swing-Out, Right, 90°, Short Extension - Black	1
14	9001333	Footrest - Swing-In/Swing-Out, Left, 90°, Short Extension - Black	1
15	9001336	Footrest - Swing-In/Swing-Out, Right, 90°, Short Extension (Specify Color)	1
16	9001339	Footrest - Swing-In/Swing-Out, Left, 90°, Short Extension (Specify Color)	1

ITEM NO.	PARTNO	DESCRIPTION	QTY
17	9001328	Footrest - Swing-In/Swing-Out, Right, 60°, Long Extension - Black	1
18	9001331	Footrest - Swing-In/Swing-Out, Left, 60°, Long Extension - Black	1
19	9001334	Footrest - Swing-In/Swing-Out, Right, 60°, Long Extension (Specify Color)	1
20	9001337	Footrest - Swing-In/Swing-Out, Left, 60°, Long Extension (Specify Color)	1
21	9001329	Footrest - Swing-In/Swing-Out, Right, 70°, Long Extension - Black	1
22	9001332	Footrest - Swing-In/Swing-Out, Left, 70°, Long Extension - Black	1
23	9001335	Footrest - Swing-In/Swing-Out, Right, 70°, Long Extension (Specify Color)	1
24	9001338	Footrest - Swing-In/Swing-Out, Left, 70°, Long Extension (Specify Color)	1
25	9003085	Footrest - Swing-In/Swing-Out, Right, 80°, Long Extension - Black	1
26	9003086	Footrest - Swing-In/Swing-Out, Left, 80°, Long Extension - Black	1
27	9003087	Footrest - Swing-In/Swing-Out, Right, 80°, Long Extension (Specify Color)	1
28	9003088	Footrest - Swing-In/Swing-Out, Left, 80°, Long Extension (Specify Color)	1
29	9002916	Footrest - Swing-In/Swing-Out, Right, 90°, Long Extension - Black	1
30	9002917	Footrest - Swing-In/Swing-Out, Left, 90°, Long Extension - Black	1
31	9002955	Footrest - Swing-In/Swing-Out, Right, 90°, Long Extension (Specify Color)	1
32	9002952	Footrest - Swing-In/Swing-Out, Left, 90°, Long Extension (Specify Color)	1

**SHORT EXTENSION RANGE 60° & 70°**

- 13.5 - 17" (Cut 2 Segments)
- 14.5 - 18" (Cut 1 Segment)
- **15.5 - 19" (No Cut)\***

**SHORT EXTENSION RANGE 80°**

- 13.5 - 16" (Cut 2 Segments)
- 14.5 - 17" (Cut 1 Segment)
- **15.5 - 18" (No Cut)\***

**LONG EXTENSION RANGE 60°, 70° & 80°**

- 14.5 - 19.5" (Cut 1 Segment)
- **15.5 - 20.5" (No Cut)\***

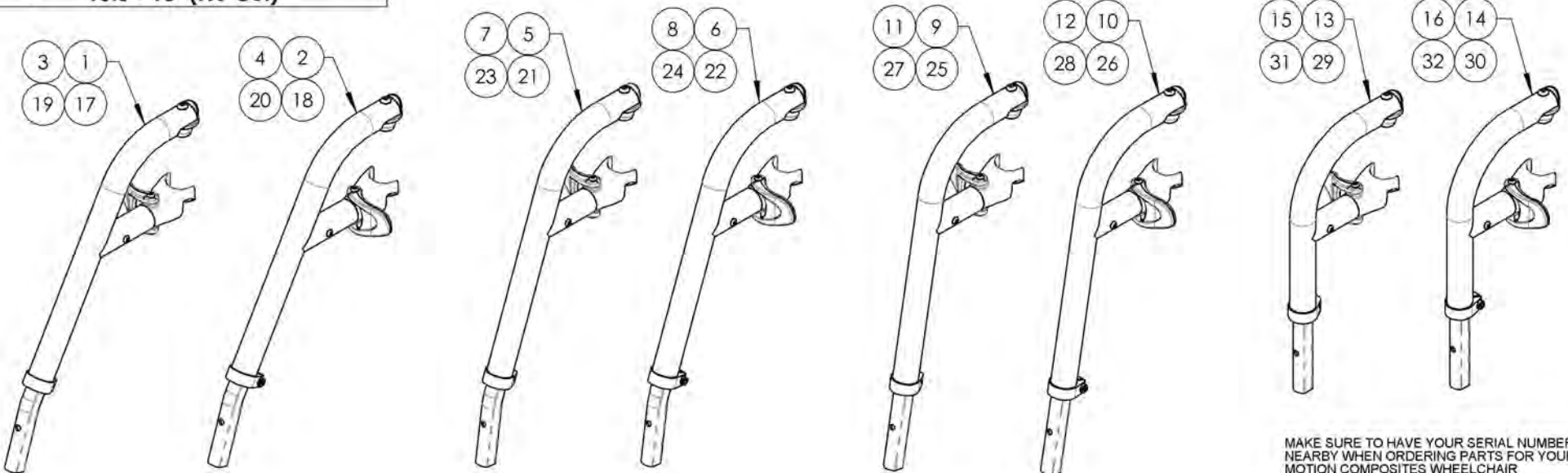
\*Parts will not be cut if not requested

**SHORT EXTENSION RANGE 90°**

- 11.5 - 14" (No Cut)

**LONG EXTENSION RANGE 90°**

- 14 - 17" (No Cut)

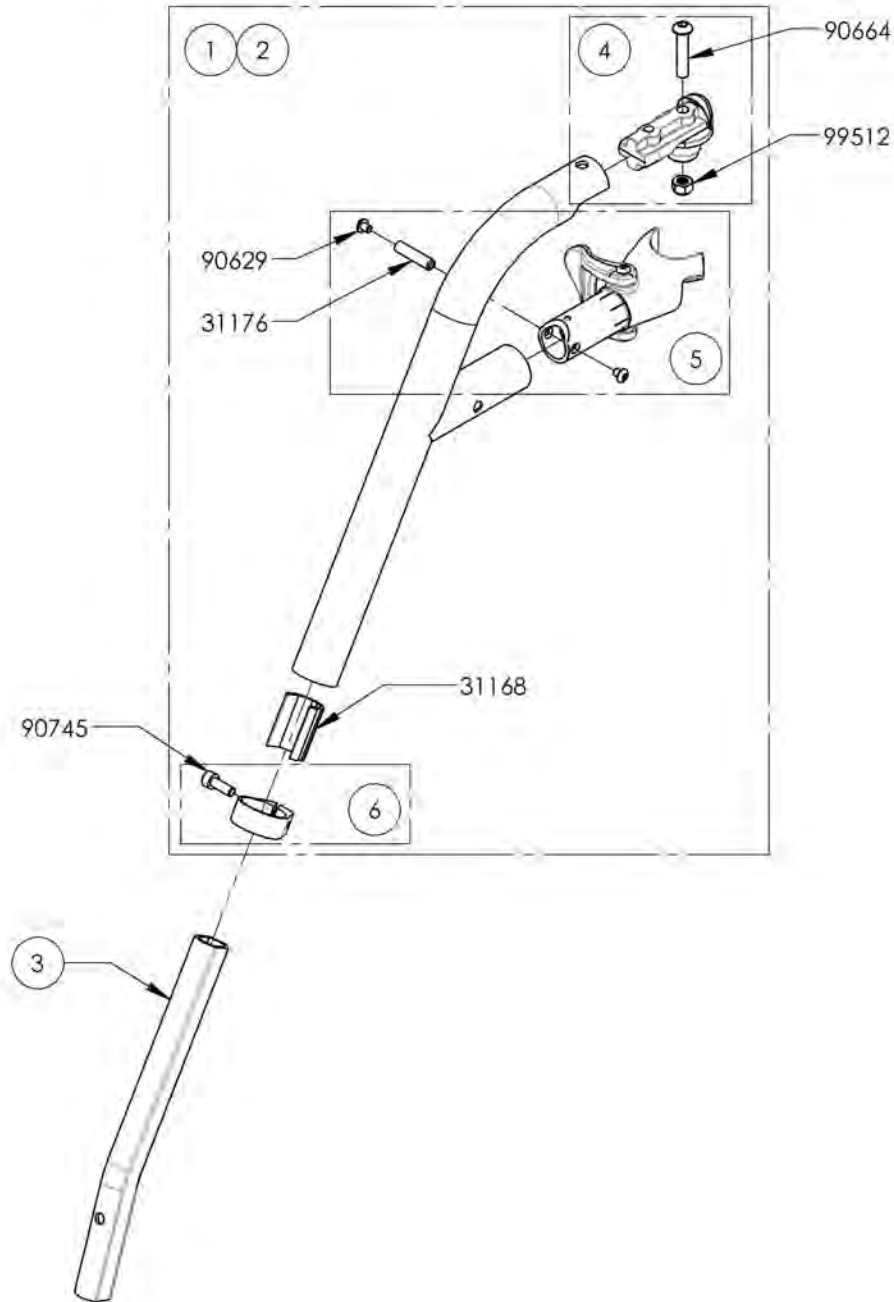


MAKE SURE TO HAVE YOUR SERIAL NUMBER NEARBY WHEN ORDERING PARTS FOR YOUR MOTION COMPOSITES WHEELCHAIR



**9002946\_9002947**

**Footrest - Swing-In/Swing-Out, Right, 60° & 70°, Short Extension - Black**

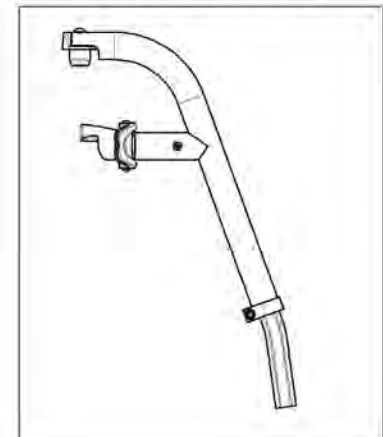


ITEM NO.	PARTNO	DESCRIPTION	9002946 /QTY.	9002947 /QTY.	REPLACEMENT PARTS/QTY.
1	31543	V2 60 DEG LEGREST, RIGHT - ASSEMBLY	1	-	-
2	31545	V2 70 DEG LEGREST, RIGHT - ASSEMBLY	-	1	-
3	31154	V2 FOOTREST SHORT EXTENSION	1	1	-
4	31551	V2 FOOTREST PIVOT - ASSEMBLY	-	-	1
5	31550	V2 FOOTREST HOUSING RIGHT - ASSEMBLY	-	-	1
6	31552	V2 FOOTREST EXTENSION RIGHT CLAMP - ASSEMBLY	-	-	1

9002946 -  
Footrest - Swing-In/Swing-Out,  
Right, 60°, Short Extension - Black

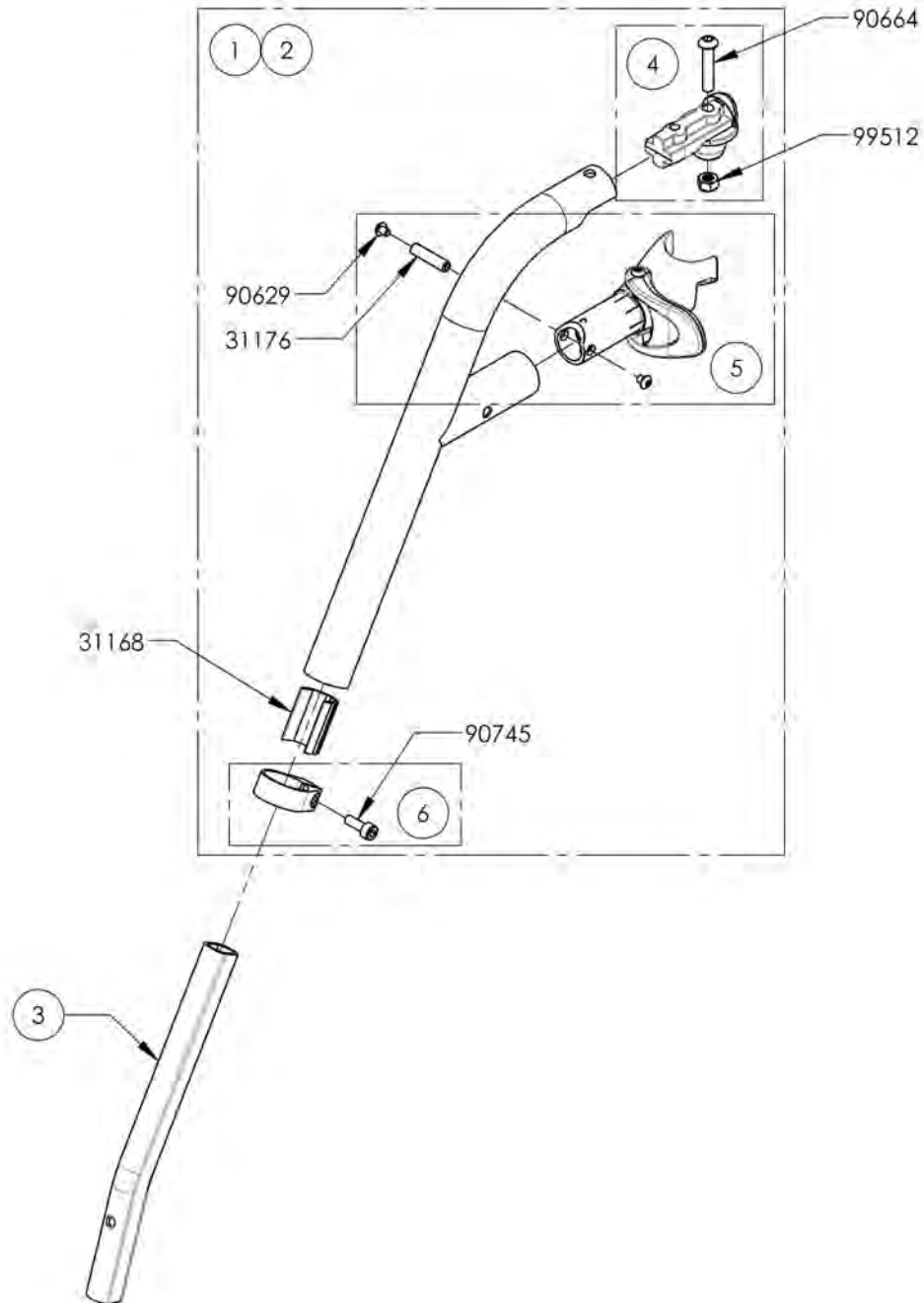


9002947 -  
Footrest - Swing-In/Swing-Out,  
Right, 70°, Short Extension - Black



MAKE SURE TO HAVE YOUR SERIAL NUMBER  
NEARBY WHEN ORDERING PARTS FOR YOUR  
MOTION COMPOSITES WHEELCHAIR

**9002948\_9002949**  
**Footrest - Swing-In/Swing-Out, Left, 60° & 70°, Short Extension - Black**

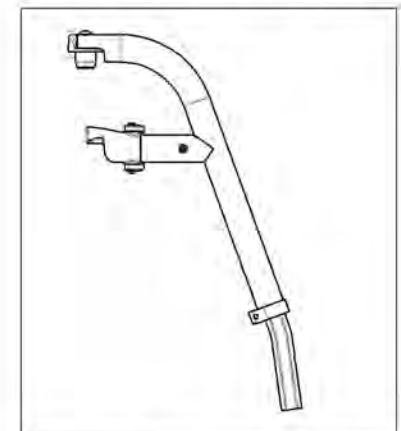


ITEM NO.	PARTNO	DESCRIPTION	9002948 /QTY.	9002949 /QTY.	REPLACEMENT PARTS/QTY.
1	31544	V2 60 DEG LEGREST, LEFT - ASSEMBLY	1	-	-
2	31546	V2 70 DEG LEGREST, LEFT - ASSEMBLY	-	1	-
3	31154	V2 FOOTREST SHORT EXTENSION	1	1	-
4	31551	V2 FOOTREST PIVOT - ASSEMBLY	-	-	1
5	31549	V2 FOOTREST HOUSING LEFT - ASSEMBLY	-	-	1
6	31553	V2 FOOTREST EXTENSION LEFT CLAMP - ASSEMBLY	-	-	1

9002948 -  
 Footrest - Swing-In/Swing-Out,  
 Left, 60°, Short Extension - Black



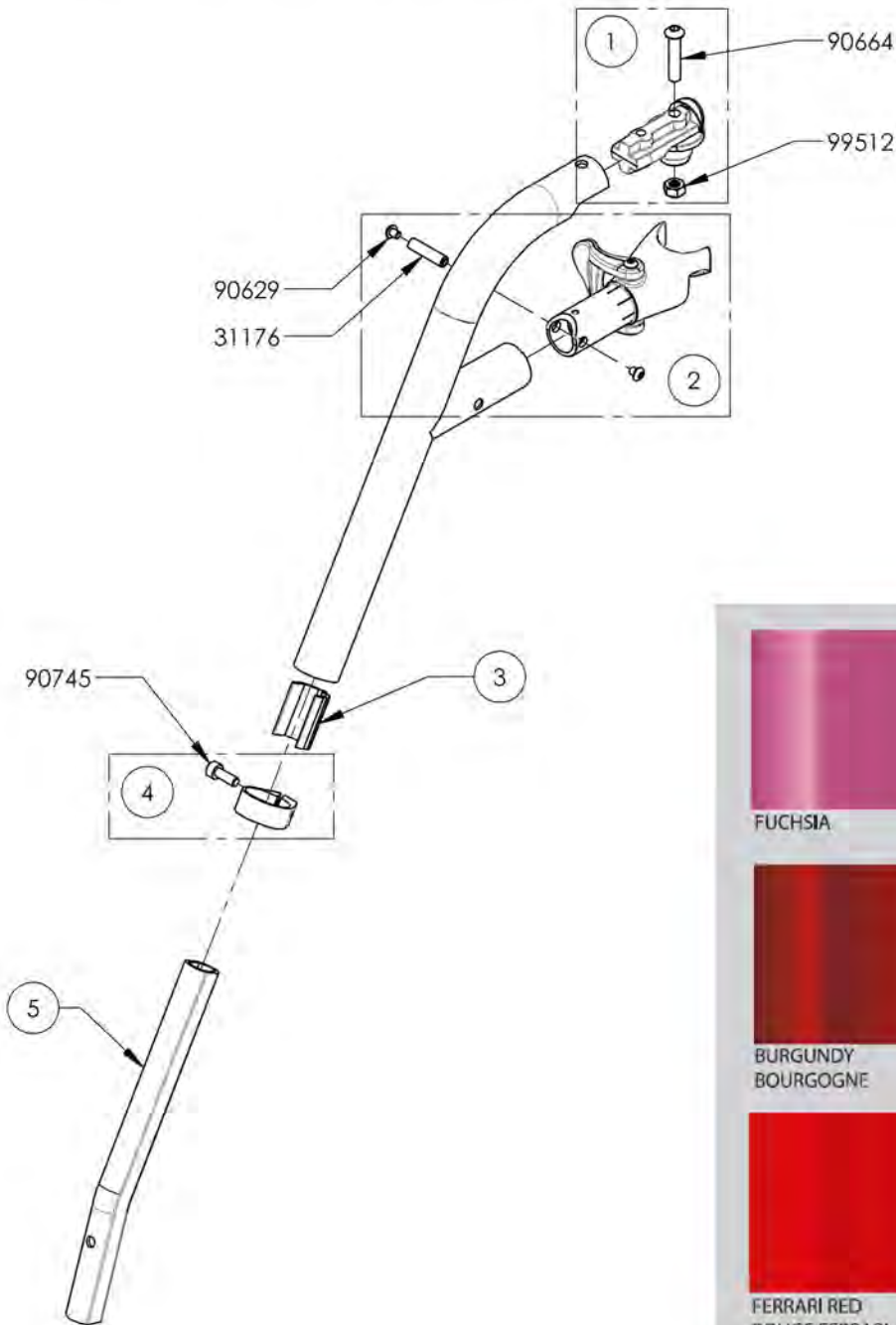
9002949 -  
 Footrest - Swing-In/Swing-Out,  
 Left, 70°, Short Extension - Black



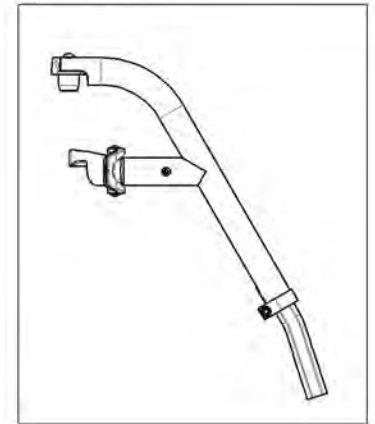
MAKE SURE TO HAVE YOUR SERIAL NUMBER  
 NEARBY WHEN ORDERING PARTS FOR YOUR  
 MOTION COMPOSITES WHEELCHAIR

**9002950\_9002951**  
**Footrest - Swing-In/Swing-Out, Right, 60° & 70°, Short Extension (Specify Color)**

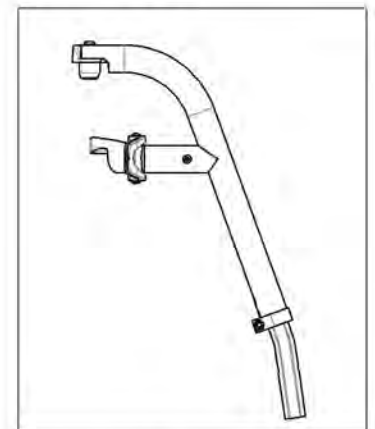
ITEM NO.	PARTNO	DESCRIPTION	9002950 /QTY.	9002951 /QTY.
1	31551	V2 FOOTREST PIVOT - ASSEMBLY	1	1
2	31550	V2 FOOTREST HOUSING RIGHT - ASSEMBLY	1	1
3	31168	V2 FOOTREST GUIDE SLEEVE	1	1
4	31552	V2 FOOTREST EXTENSION RIGHT CLAMP - ASSEMBLY	1	1
5	31154	V2 FOOTREST SHORT EXTENSION	1	1



9002950 -  
 Footrest - Swing-In/Swing-Out,  
 Right, 60°, Short Extension  
 (Specify Color)

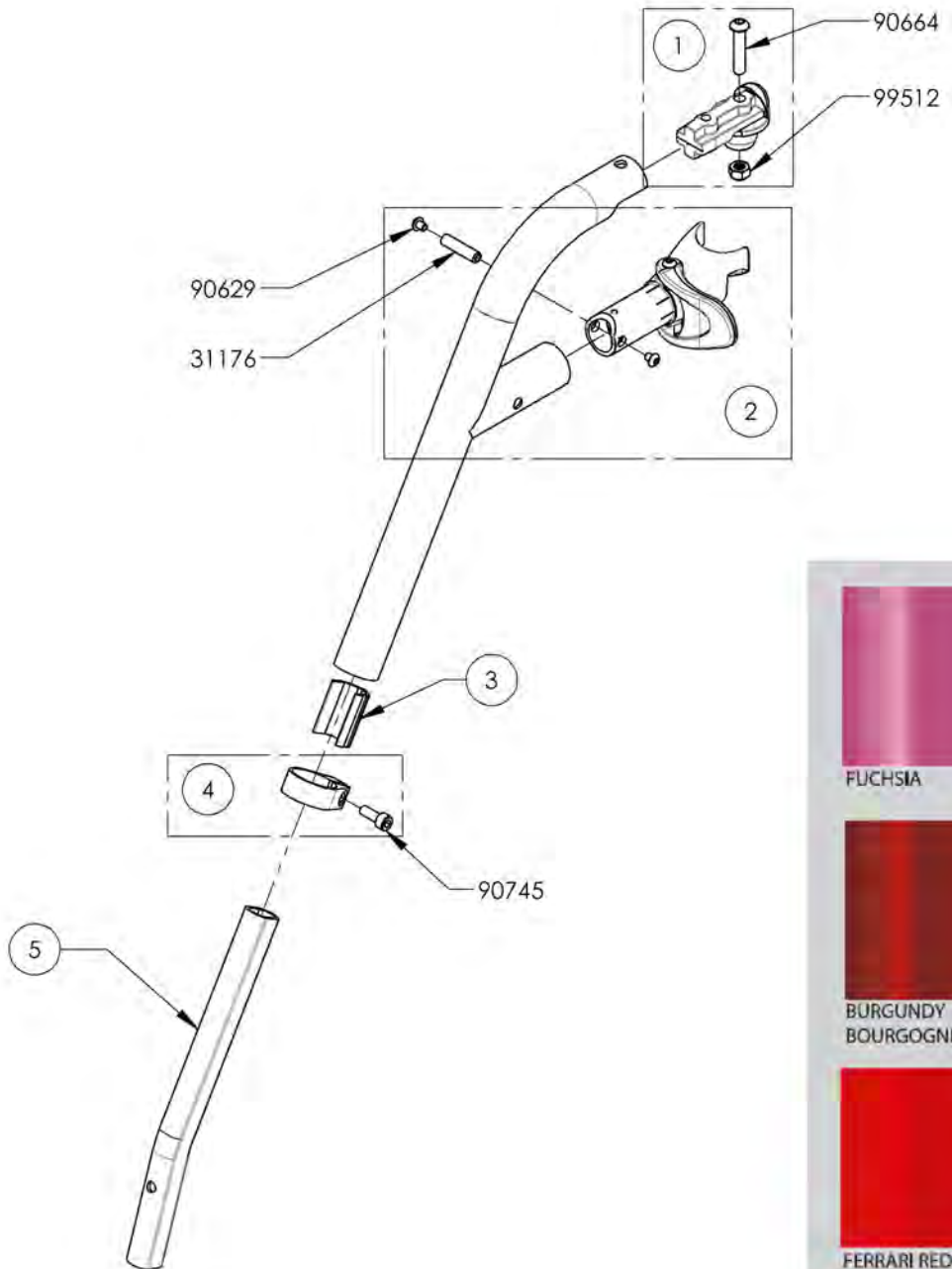


9002951 -  
 Footrest - Swing-In/Swing-Out,  
 Right, 70°, Short Extension  
 (Specify Color)



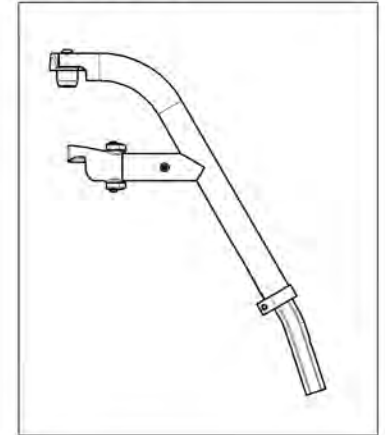
MAKE SURE TO HAVE YOUR SERIAL NUMBER  
 NEARBY WHEN ORDERING PARTS FOR YOUR  
 MOTION COMPOSITES WHEELCHAIR

**9002953\_9002954**  
**Footrest - Swing-In/Swing-Out, Left, 60° & 70°, Short Extension (Specify Color)**

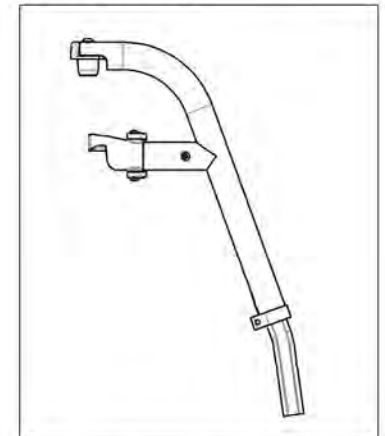


ITEM NO.	PARTNO	DESCRIPTION	9002953 /QTY.	9002954 /QTY.
1	31551	V2 FOOTREST PIVOT - ASSEMBLY	1	1
2	31549	V2 FOOTREST HOUSING LEFT - ASSEMBLY	1	1
3	31168	V2 FOOTREST GUIDE SLEEVE	1	1
4	31553	V2 FOOTREST EXTENSION LEFT CLAMP - ASSEMBLY	1	1
5	31154	V2 FOOTREST SHORT EXTENSION	1	1

9002953 -  
 Footrest - Swing-In/Swing-Out,  
 Left, 60°, Short Extension  
 (Specify Color)



9002954 -  
 Footrest - Swing-In/Swing-Out,  
 Left, 70°, Short Extension  
 (Specify Color)

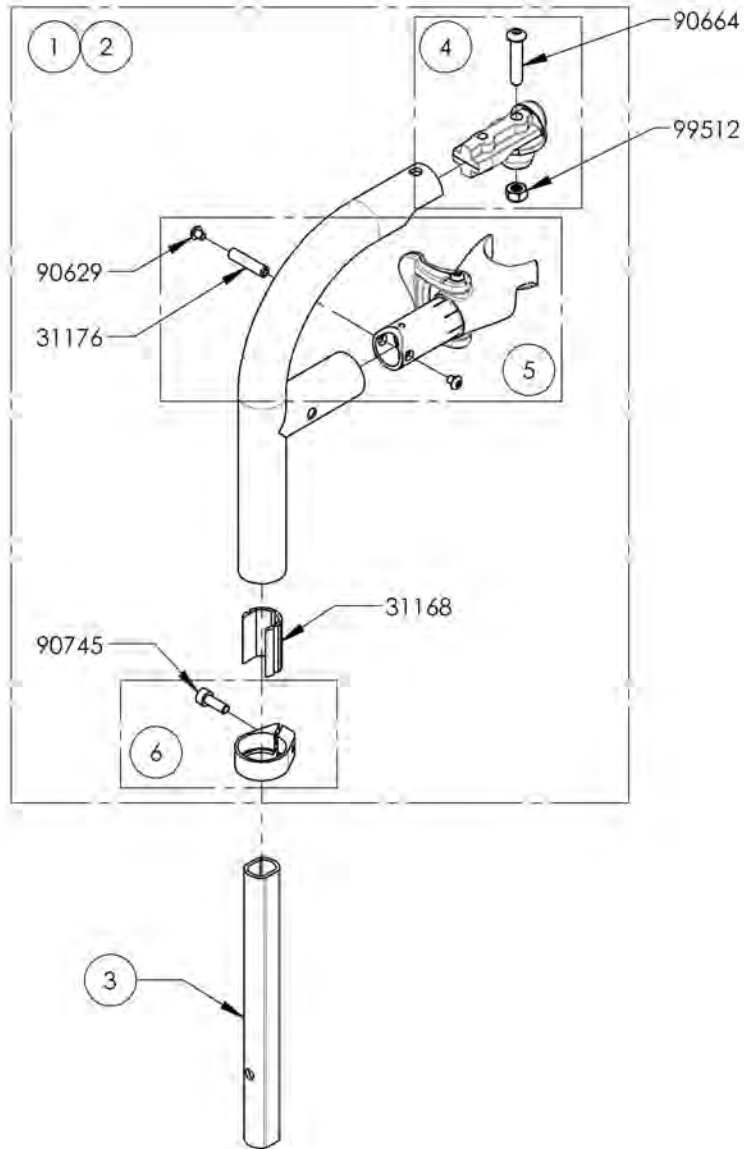


MAKE SURE TO HAVE YOUR SERIAL NUMBER  
 NEARBY WHEN ORDERING PARTS FOR YOUR  
 MOTION COMPOSITES WHEELCHAIR



**9001330 & 9003081  
Footrest - Swing-In/Swing-Out, Right, 80° & 90°, Short Extension - Black**

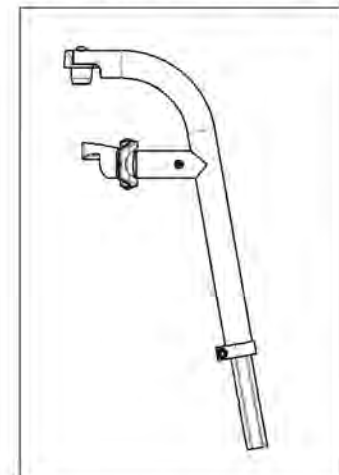
ITEM NO.	PARTNO	DESCRIPTION	9001330 /QTY.	9003081 /QTY.	REPLACEMENT PARTS/QTY.
1	31547	V2 90 DEG LEGREST, RIGHT - ASSEMBLY	1	-	-
2	31617	V2 80 DEG LEGREST, RIGHT - ASSEMBLY	-	1	-
3	31198	V2 FOOTREST 90° EXTENSION	1	1	-
4	31551	V2 FOOTREST PIVOT - ASSEMBLY	-	-	1
5	31550	V2 FOOTREST HOUSING RIGHT - ASSEMBLY	-	-	1
6	31552	V2 FOOTREST EXTENSION RIGHT CLAMP - ASSEMBLY	-	-	1



**9001330**  
Footrest - Swing-In/Swing-Out, Right, 90°, Short Extension - Black



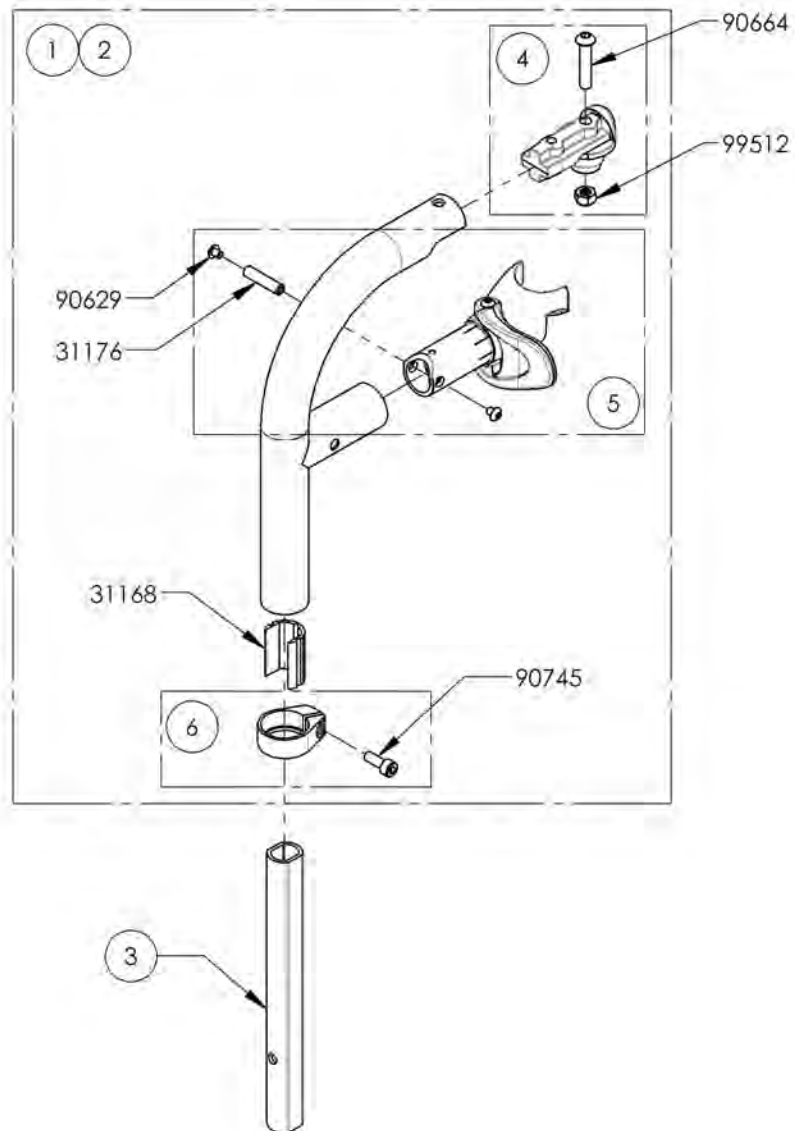
**9003081**  
Footrest - Swing-In/Swing-Out, Right, 80°, Short Extension - Black



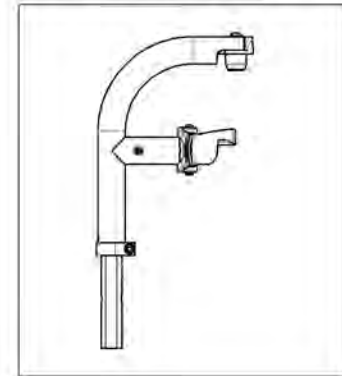
MAKE SURE TO HAVE YOUR SERIAL NUMBER NEARBY WHEN ORDERING PARTS FOR YOUR MOTION COMPOSITES WHEELCHAIR

**9001333 & 9003082  
Footrest - Swing-In/Swing-Out, Left, 80° & 90°, Short Extension - Black**

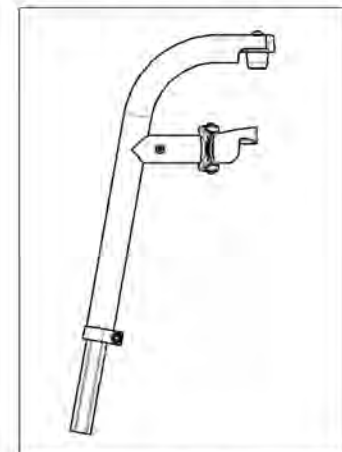
ITEM NO.	PARTNO	DESCRIPTION	9001333 /QTY.	9003082 /QTY.	REPLACEMENT PARTS/QTY.
1	31548	V2 90 DEG LEGREST, LEFT -ASSEMBLY	1	-	-
2	3161B	V2 80 DEG LEGREST, LEFT -ASSEMBLY	-	1	-
3	31198	V2 FOOTREST 90° EXTENSION	1	1	-
4	31551	V2 FOOTREST PIVOT - ASSEMBLY	-	-	1
5	31549	V2 FOOTREST HOUSING LEFT - ASSEMBLY	-	-	1
6	31553	V2 FOOTREST EXTENSION LEFT CLAMP - ASSEMBLY	-	-	1



**9001333**  
Footrest - Swing-In/Swing-Out, Left, 90°,  
Short Extension - Black



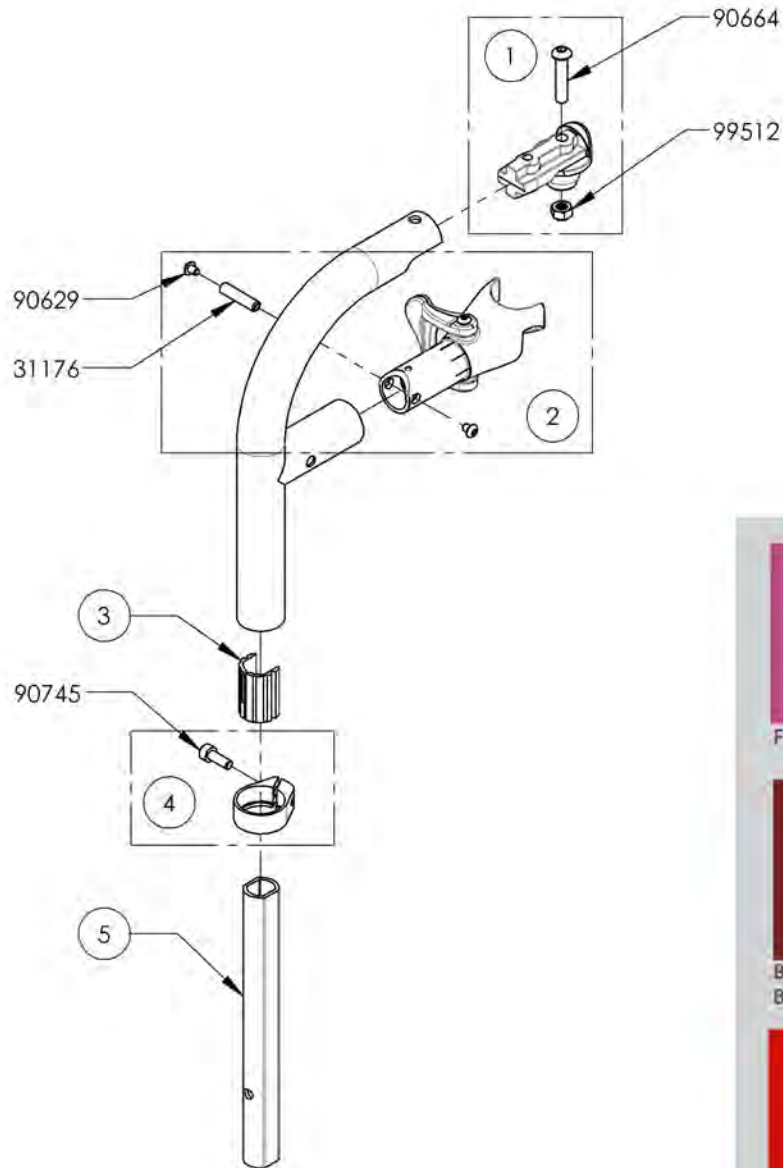
**9003082**  
Footrest - Swing-In/Swing-Out, Left, 80°,  
Short Extension - Black



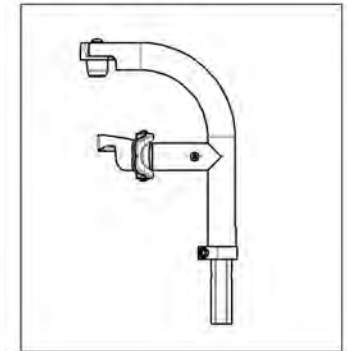
MAKE SURE TO HAVE YOUR SERIAL NUMBER  
NEARBY WHEN ORDERING PARTS FOR YOUR  
MOTION COMPOSITES WHEELCHAIR

**9001336 & 9003083**  
**Footrest - Swing-In/Swing-Out, Right, 80° & 90°, Short Extension (Specify Color)**

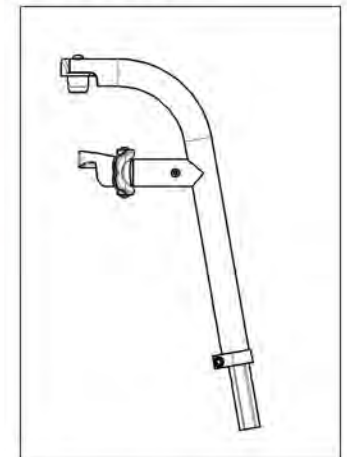
ITEM NO.	PARTNO	DESCRIPTION	9001336 /QTY.	9003083 /QTY.
1	31551	V2 FOOTREST PIVOT - ASSEMBLY	1	1
2	31550	V2 FOOTREST HOUSING RIGHT - ASSEMBLY	1	1
3	31168	V2 FOOTREST GUIDE SLEEVE	1	1
4	31552	V2 FOOTREST EXTENSION RIGHT CLAMP - ASSEMBLY	1	1
5	31198	V2 FOOTREST 90° EXTENSION	1	1



9001336  
 Footrest - Swing-In/Swing-Out,  
 Right, 90°, Short Extension  
 (Specify Color)



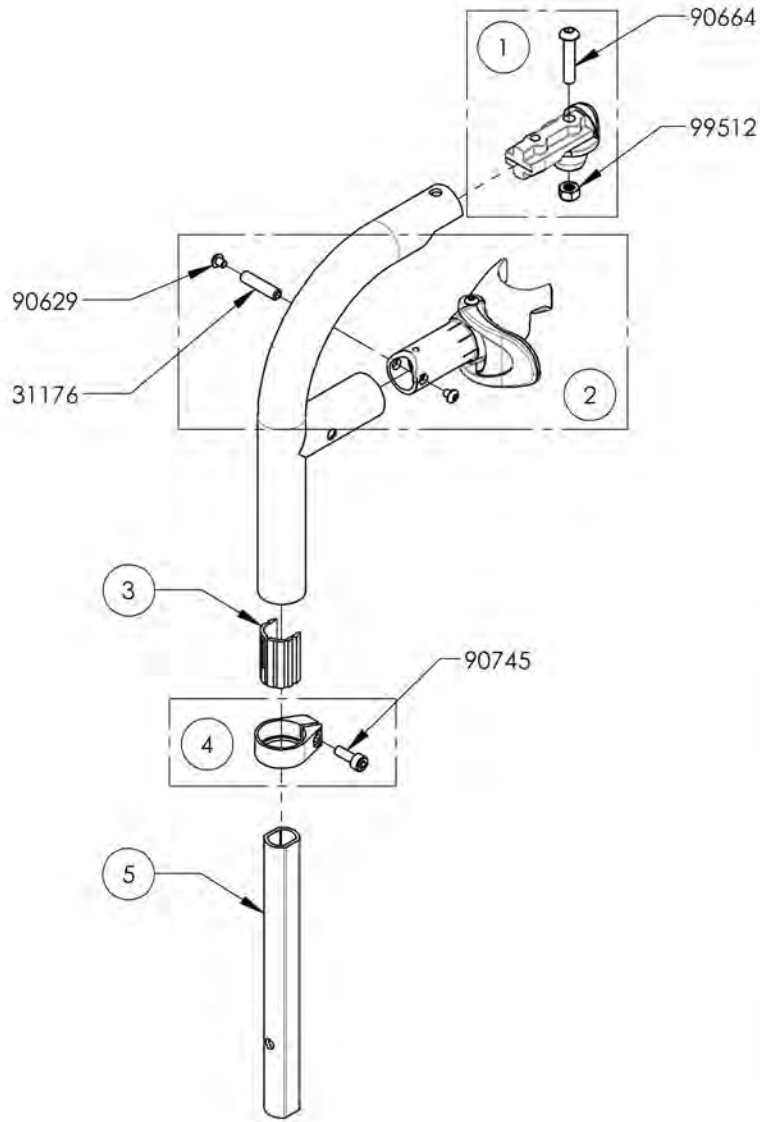
9003083  
 Footrest - Swing-In/Swing-Out,  
 Right, 80°, Short Extension  
 (Specify Color)



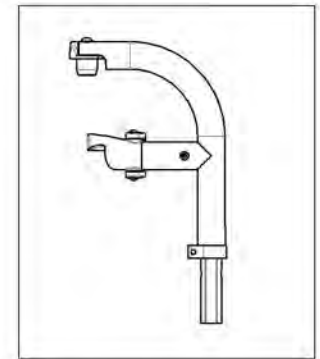
MAKE SURE TO HAVE YOUR SERIAL NUMBER  
 NEARBY WHEN ORDERING PARTS FOR YOUR  
 MOTION COMPOSITES WHEELCHAIR

**9001339 & 9003084**  
**Footrest - Swing-In/Swing-Out, Left, 80° & 90°, Short Extension (Specify Color)**

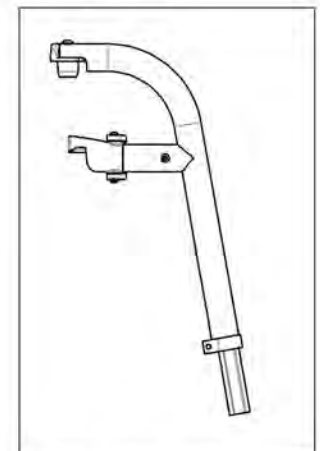
ITEM NO.	PARTNO	DESCRIPTION	9001339 /QTY.	9003084 /QTY.
1	31551	V2 FOOTREST PIVOT - ASSEMBLY	1	1
2	31549	V2 FOOTREST HOUSING LEFT - ASSEMBLY	1	1
3	31168	V2 FOOTREST GUIDE SLEEVE	1	1
4	31553	V2 FOOTREST EXTENSION LEFT CLAMP - ASSEMBLY	1	1
5	31198	V2 FOOTREST 90° EXTENSION	1	1



9001339  
 Footrest - Swing-In/Swing-Out,  
 Left, 90°, Short Extension  
 (Specify Color)



9003084  
 Footrest - Swing-In/Swing-Out,  
 Left, 80°, Short Extension  
 (Specify Color)

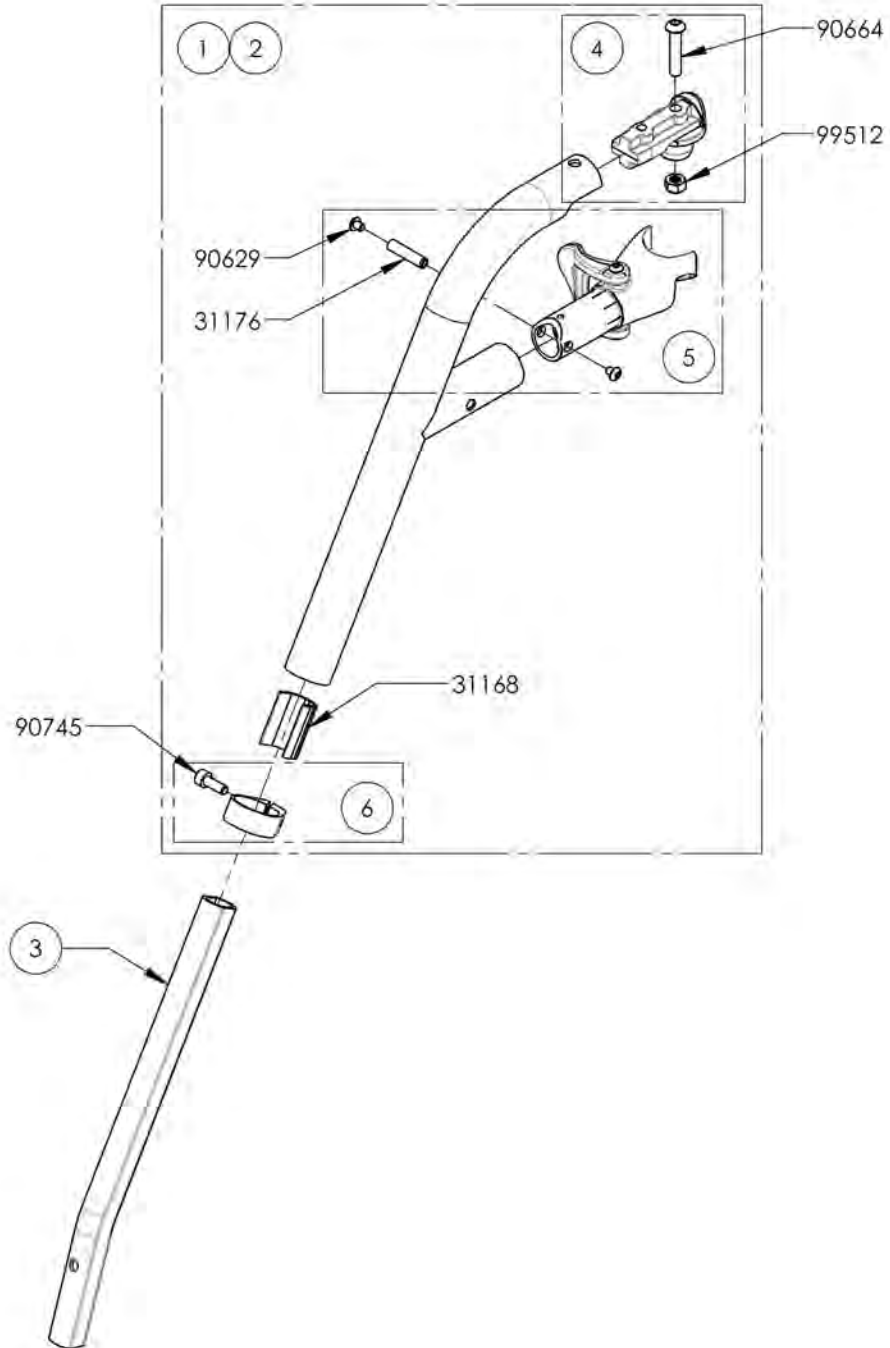


MAKE SURE TO HAVE YOUR SERIAL NUMBER  
 NEARBY WHEN ORDERING PARTS FOR YOUR  
 MOTION COMPOSITES WHEELCHAIR



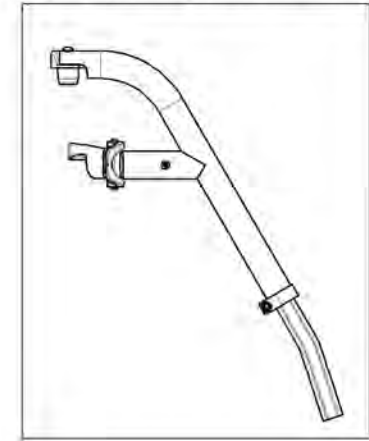
**9001328\_9001329**

**Footrest - Swing-In/Swing-Out, Right, 60° & 70°, Long Extension - Black**

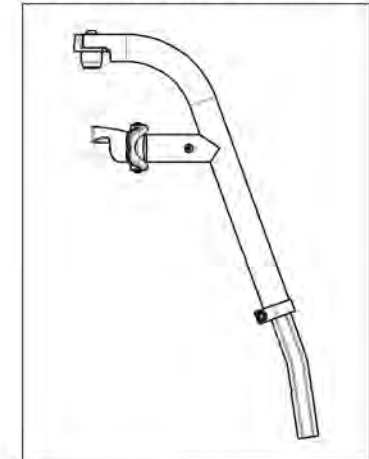


ITEM NO.	PARTNO	DESCRIPTION	9001328 /QTY.	9001329 /QTY.	REPLACEMENT PARTS/QTY.
1	31543	V2 60 DEG LEGREST, RIGHT - ASSEMBLY	1	-	-
2	31545	V2 70 DEG LEGREST, RIGHT - ASSEMBLY	-	1	-
3	31169	V2 FOOTREST EXTENSION	1	1	-
4	31551	V2 FOOTREST PIVOT - ASSEMBLY	-	-	1
5	31550	V2 FOOTREST HOUSING RIGHT - ASSEMBLY	-	-	1
6	31552	V2 FOOTREST EXTENSION RIGHT CLAMP - ASSEMBLY	-	-	1

9001328 -  
Footrest - Swing-In/Swing-Out,  
Right, 60°, Long Extension - Black



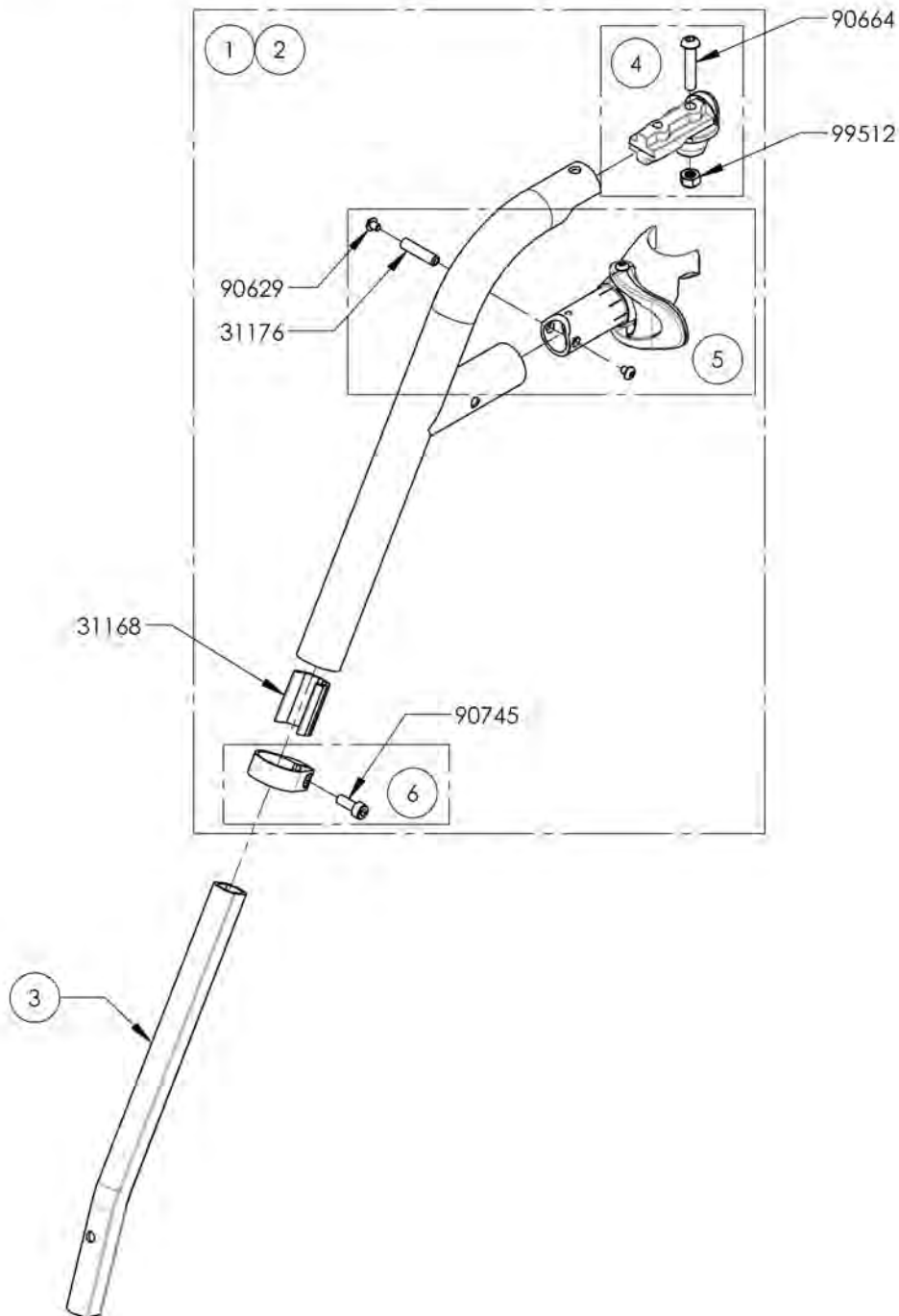
9001329 -  
Footrest - Swing-In/Swing-Out,  
Right, 70°, Long Extension - Black



MAKE SURE TO HAVE YOUR SERIAL NUMBER  
NEARBY WHEN ORDERING PARTS FOR YOUR  
MOTION COMPOSITES WHEELCHAIR

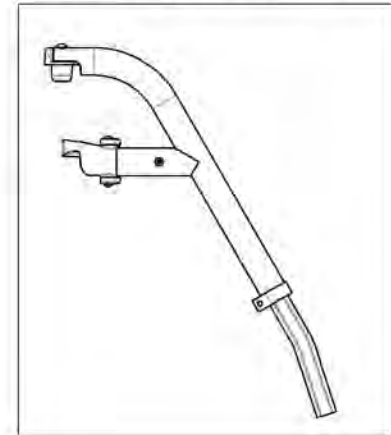
**9001331\_9001332**

**Footrest - Swing-In/Swing-Out, Left, 60° & 70°, Long Extension - Black**

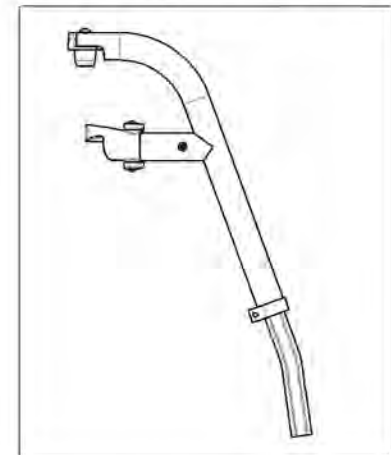


ITEM NO.	PARTNO	DESCRIPTION	9001331 /QTY.	9001332 /QTY.	REPLACEMENT PARTS/QTY.
1	31544	V2 60 DEG LEGREST, LEFT - ASSEMBLY	1	-	-
2	31546	V2 70 DEG LEGREST, LEFT - ASSEMBLY	-	1	-
3	31169	V2 FOOTREST EXTENSION	1	1	-
4	31551	V2 FOOTREST PIVOT - ASSEMBLY	-	-	1
5	31549	V2 FOOTREST HOUSING LEFT - ASSEMBLY	-	-	1
6	31553	V2 FOOTREST EXTENSION LEFT CLAMP - ASSEMBLY	-	-	1

9001331 -  
Footrest - Swing-In/Swing-Out,  
Left, 60°, Long Extension - Black



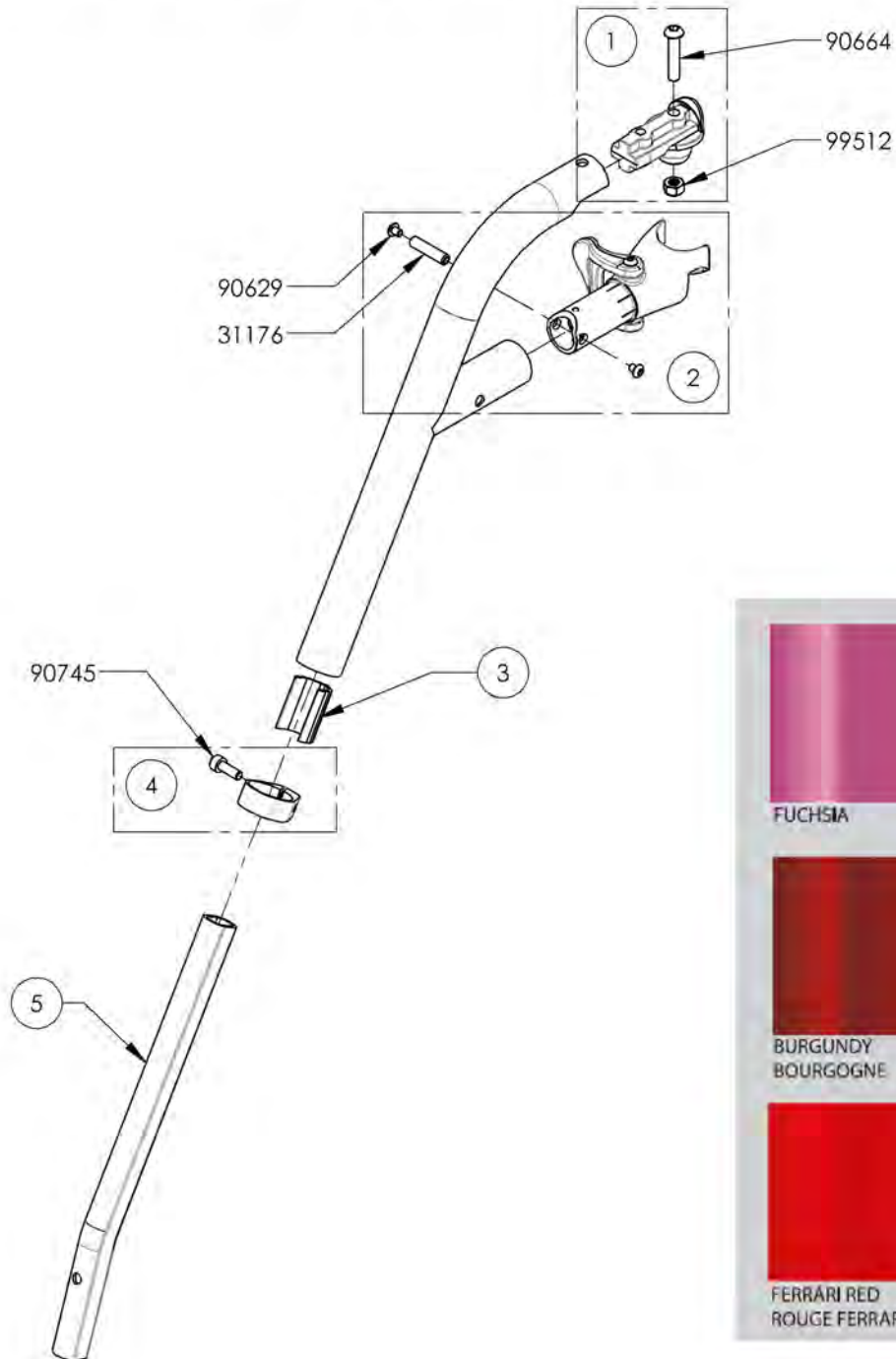
9001332 -  
Footrest - Swing-In/Swing-Out,  
Left, 70°, Long Extension - Black



MAKE SURE TO HAVE YOUR SERIAL NUMBER  
NEARBY WHEN ORDERING PARTS FOR YOUR  
MOTION COMPOSITES WHEELCHAIR

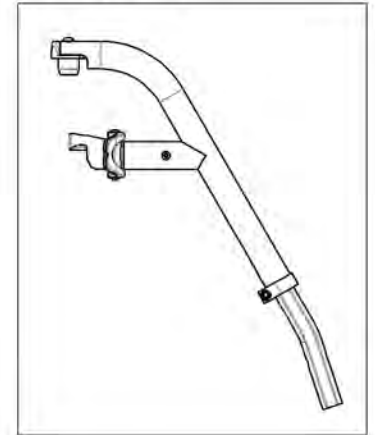
**9001334\_9001335**

**Footrest - Swing-In/Swing-Out, Right, 60° & 70°, Long Extension (Specify Color)**

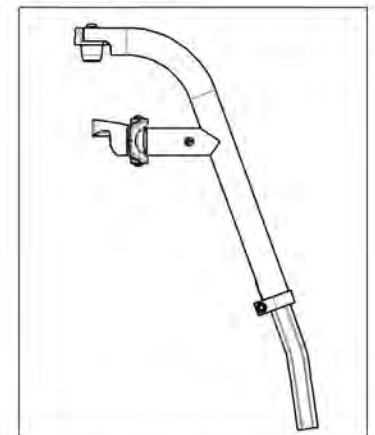


ITEM NO.	PARTNO	DESCRIPTION	9001334 /QTY.	9001335 /QTY.
1	31551	V2 FOOTREST PIVOT - ASSEMBLY	1	1
2	31550	V2 FOOTREST HOUSING RIGHT - ASSEMBLY	1	1
3	31168	V2 FOOTREST GUIDE SLEEVE	1	1
4	31552	V2 FOOTREST EXTENSION RIGHT CLAMP - ASSEMBLY	1	1
5	31169	V2 FOOTREST EXTENSION	1	1

9001334 -  
Footrest - Swing-In/Swing-Out,  
Right, 60°, Long Extension  
(Specify Color)



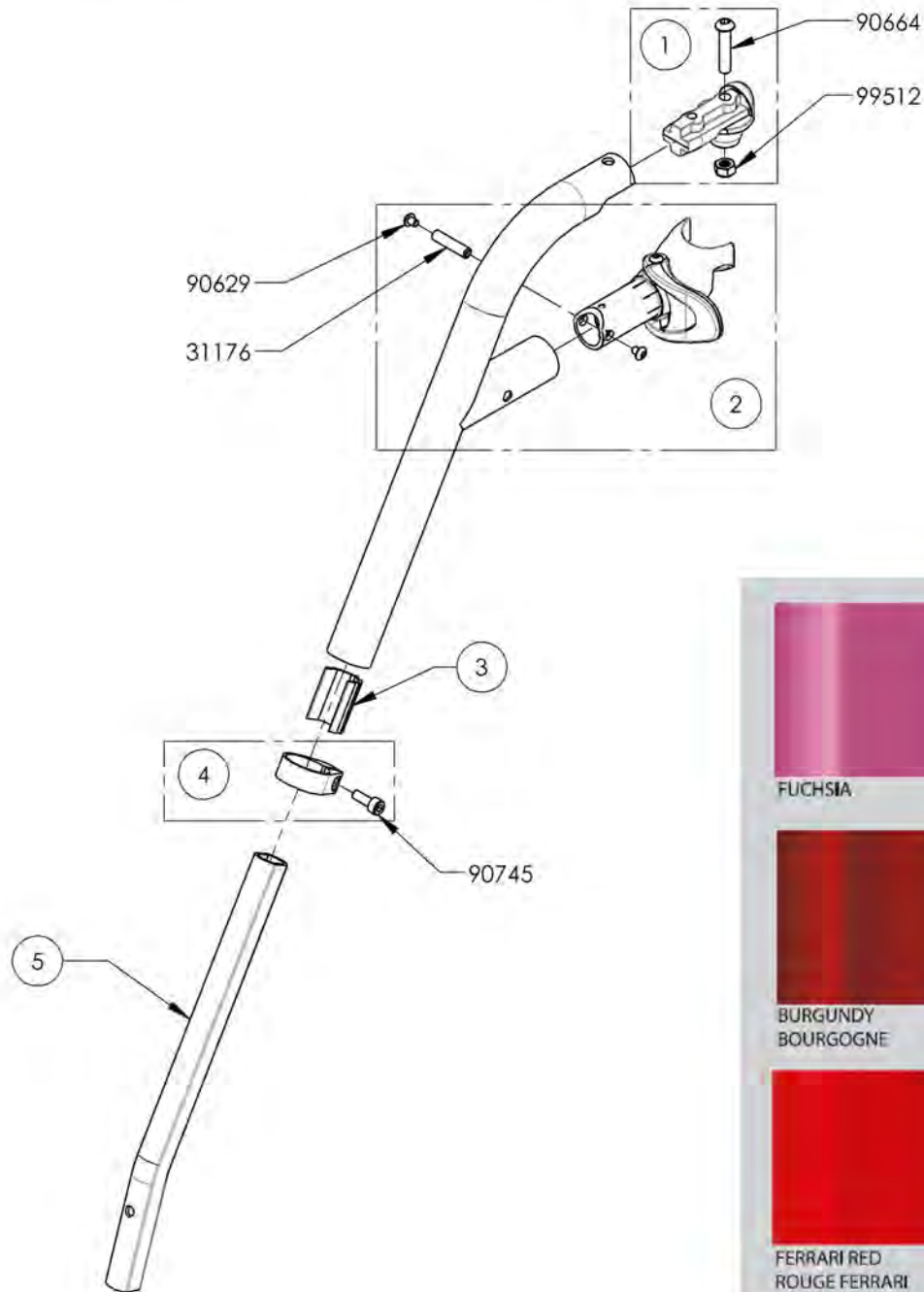
9001335 -  
Footrest - Swing-In/Swing-Out,  
Right, 70°, Long Extension  
(Specify Color)



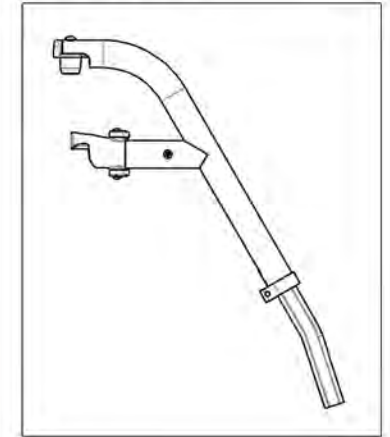
MAKE SURE TO HAVE YOUR SERIAL NUMBER  
NEARBY WHEN ORDERING PARTS FOR YOUR  
MOTION COMPOSITES WHEELCHAIR

**9001337 9001338**  
**Footrest - Swing-In/Swing-Out, Left, 60° & 70°, Long Extension (Specify Color)**

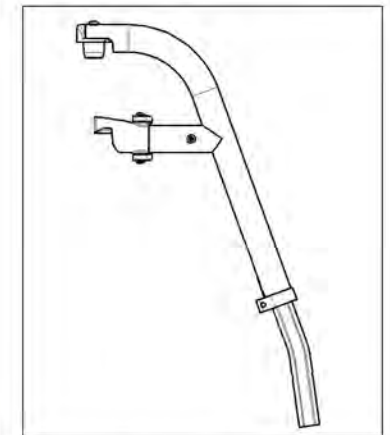
ITEM NO.	PARTNO	DESCRIPTION	9001337 /QTY.	9001338 /QTY.
1	31551	V2 FOOTREST PIVOT - ASSEMBLY	1	1
2	31549	V2 FOOTREST HOUSING LEFT - ASSEMBLY	1	1
3	31168	V2 FOOTREST GUIDE SLEEVE	1	1
4	31553	V2 FOOTREST EXTENSION LEFT CLAMP - ASSEMBLY	1	1
5	31169	V2 FOOTREST EXTENSION	1	1



9001337 -  
 Footrest - Swing-In/Swing-Out,  
 Left, 60°, Long Extension  
 (Specify Color)



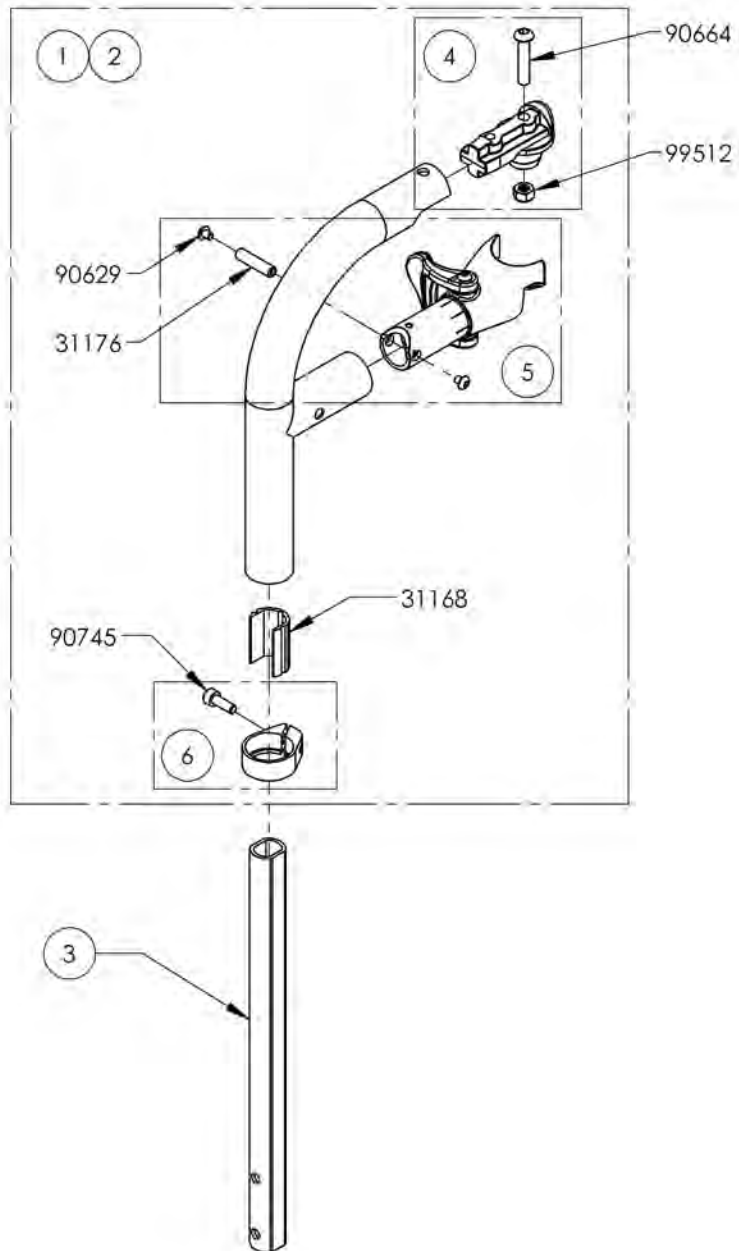
9001338 -  
 Footrest - Swing-In/Swing-Out,  
 Left, 70°, Long Extension  
 (Specify Color)



MAKE SURE TO HAVE YOUR SERIAL NUMBER  
 NEARBY WHEN ORDERING PARTS FOR YOUR  
 MOTION COMPOSITES WHEELCHAIR

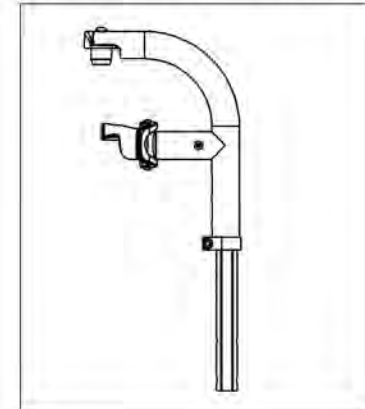


**9002916 & 9003085**  
**Footrest - Swing-In/Swing-Out, Right, 80° & 90°, Long Extension - Black**

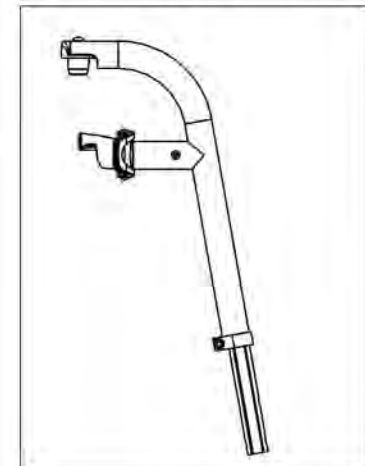


ITEM NO.	PARTNO	DESCRIPTION	9002916 /QTY.	9003085 /QTY.	REPLACEMENT PARTS/QTY.
1	31547	V2 90 DEG LEGREST, RIGHT - ASSEMBLY	1	-	-
2	31617	V2 80 DEG LEGREST, RIGHT - ASSEMBLY	-	1	-
3	31209	V2 FOOTREST 90° LONG EXTENSION	1	1	-
4	31551	V2 FOOTREST PIVOT - ASSEMBLY	-	-	1
5	31550	V2 FOOTREST HOUSING RIGHT - ASSEMBLY	-	-	1
6	31552	V2 FOOTREST EXTENSION RIGHT CLAMP - ASSEMBLY	-	-	1

9002916 -  
 Footrest - Swing-In/Swing-Out,  
 Right, 90°, Long Extension - Black

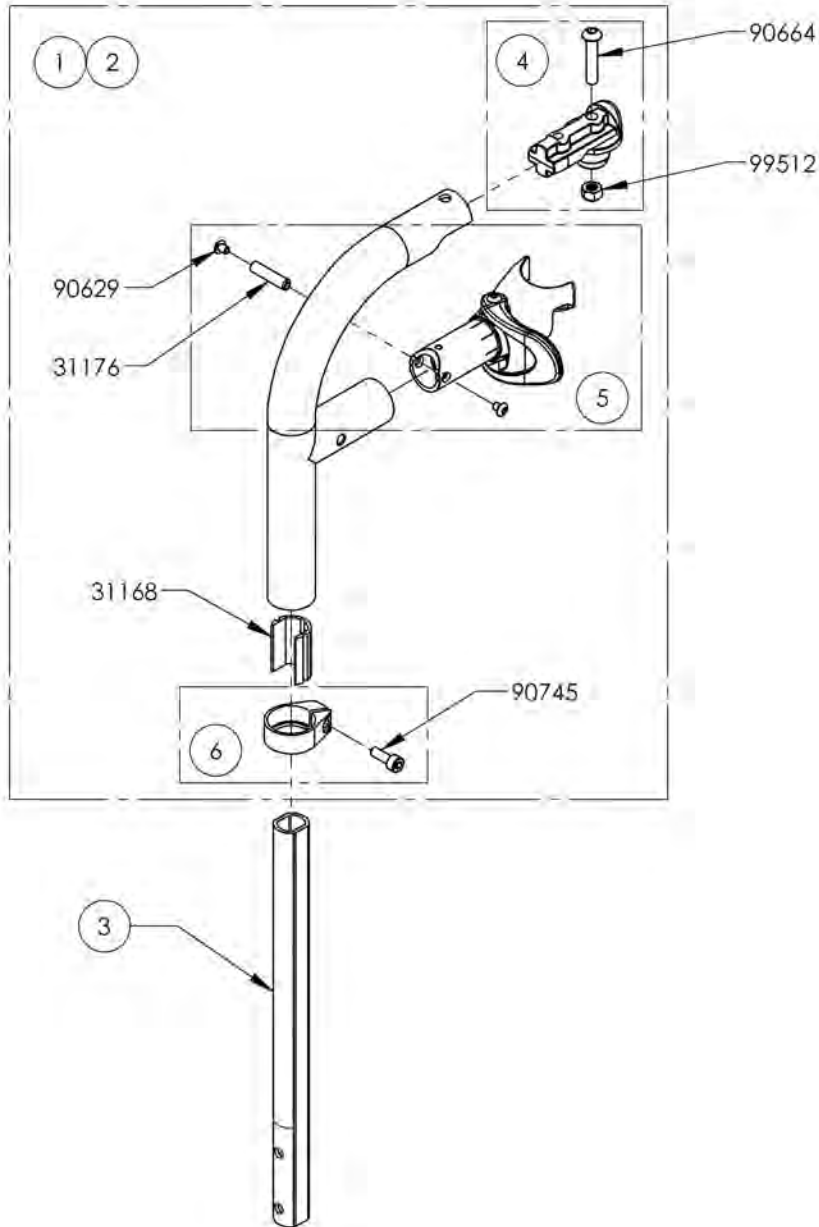


9003085 -  
 Footrest - Swing-In/Swing-Out,  
 Right, 80°, Long Extension - Black



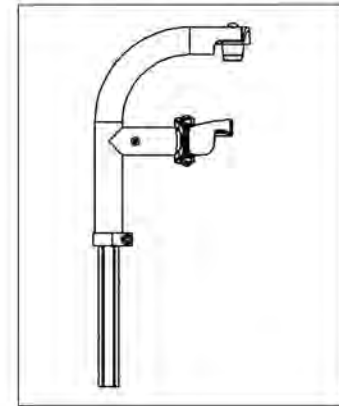
MAKE SURE TO HAVE YOUR SERIAL NUMBER  
 NEARBY WHEN ORDERING PARTS FOR YOUR  
 MOTION COMPOSITES WHEELCHAIR

**9002917 & 9003086  
Footrest - Swing-In/Swing-Out, Left, 80° & 90°, Long Extension - Black**

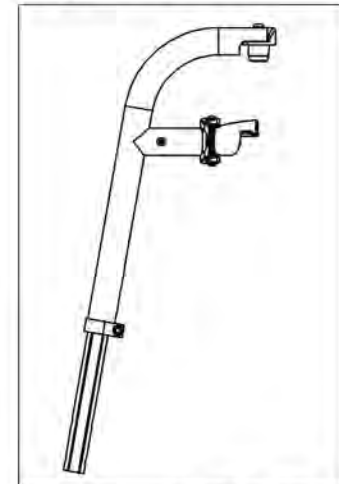


ITEM NO.	PARTNO	DESCRIPTION	9002917 /QTY.	9003086 /QTY.	REPLACEMENT PARTS/QTY.
1	31548	V2 90 DEG LEGREST, LEFT - ASSEMBLY	1	-	-
2	31618	V2 80 DEG LEGREST, LEFT - ASSEMBLY	-	1	-
3	31209	V2 FOOTREST 90° LONG-EXTENSION	1	1	-
4	31551	V2 FOOTREST PIVOT - ASSEMBLY	-	-	1
5	31549	V2 FOOTREST HOUSING LEFT - ASSEMBLY	-	-	1
6	31553	V2 FOOTREST EXTENSION LEFT CLAMP - ASSEMBLY	-	-	1

9002917  
Footrest - Swing-In/Swing-Out, Left, 90°, Long Extension - Black



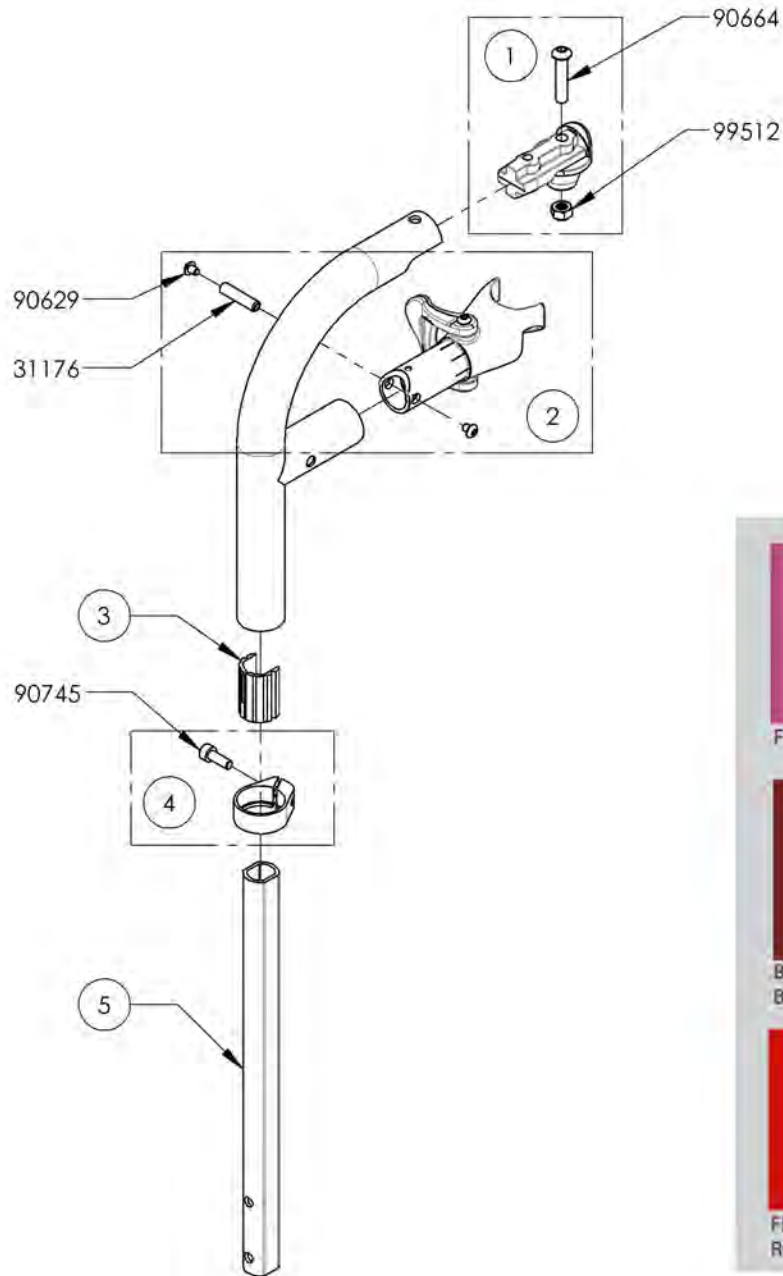
9003086  
Footrest - Swing-In/Swing-Out, Left, 80°, Long Extension - Black



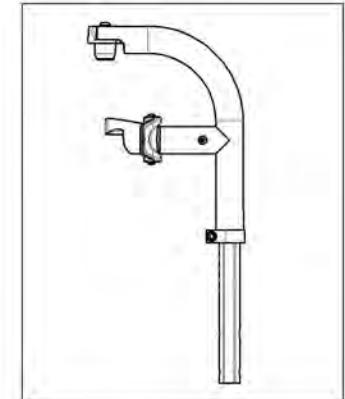
MAKE SURE TO HAVE YOUR SERIAL NUMBER NEARBY WHEN ORDERING PARTS FOR YOUR MOTION COMPOSITES WHEELCHAIR

**9002955 & 9003087**  
**Footrest - Swing-In/Swing-Out, Right, 80° & 90°, Long Extension (Specify Color)**

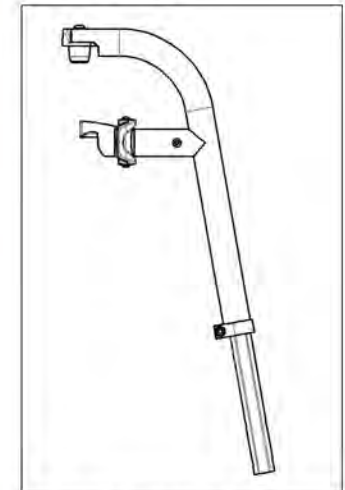
ITEM NO.	PARTNO	DESCRIPTION	9002955 /QTY.	9003087 /QTY.
1	31551	V2 FOOTREST PIVOT - ASSEMBLY	1	1
2	31550	V2 FOOTREST HOUSING RIGHT - ASSEMBLY	1	1
3	31168	V2 FOOTREST GUIDE SLEEVE	1	1
4	31552	V2 FOOTREST EXTENSION RIGHT CLAMP - ASSEMBLY	1	1
5	31209	V2 FOOTREST 90° LONG EXTENSION	1	1



9002955  
 Footrest - Swing-In/Swing-Out,  
 Right, 90°, Long Extension  
 (Specify Color)



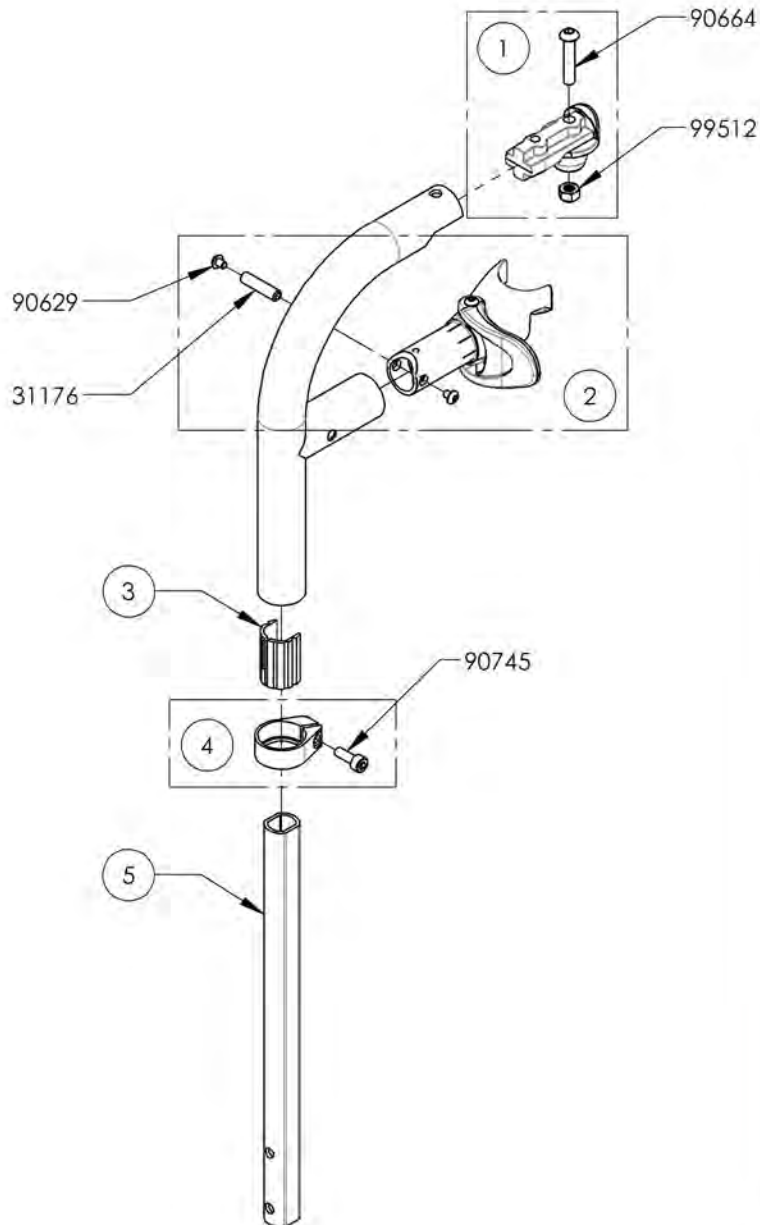
9003087  
 Footrest - Swing-In/Swing-Out,  
 Right, 80°, Long Extension  
 (Specify Color)



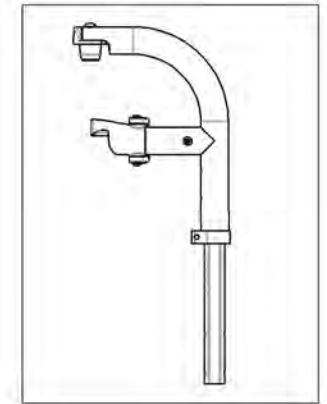
MAKE SURE TO HAVE YOUR SERIAL NUMBER  
 NEARBY WHEN ORDERING PARTS FOR YOUR  
 MOTION COMPOSITES WHEELCHAIR

**9002952 & 9003088**  
**Footrest - Swing-In/Swing-Out, Left, 80° & 90°, Long Extension (Specify Color)**

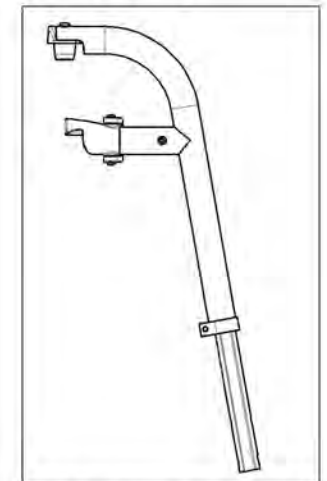
ITEM NO.	PARTNO	DESCRIPTION	9002952 /QTY.	9003088 /QTY.
1	31551	V2 FOOTREST PIVOT - ASSEMBLY	1	1
2	31549	V2 FOOTREST HOUSING LEFT - ASSEMBLY	1	1
3	31168	V2 FOOTREST GUIDE SLEEVE	1	1
4	31553	V2 FOOTREST EXTENSION LEFT CLAMP - ASSEMBLY	1	1
5	31209	V2 FOOTREST 90° LONG EXTENSION	1	1



9002952  
 Footrest - Swing-In/Swing-Out,  
 Left, 90°, Long Extension  
 (Specify Color)



9003088  
 Footrest - Swing-In/Swing-Out,  
 Left, 80°, Long Extension  
 (Specify Color)

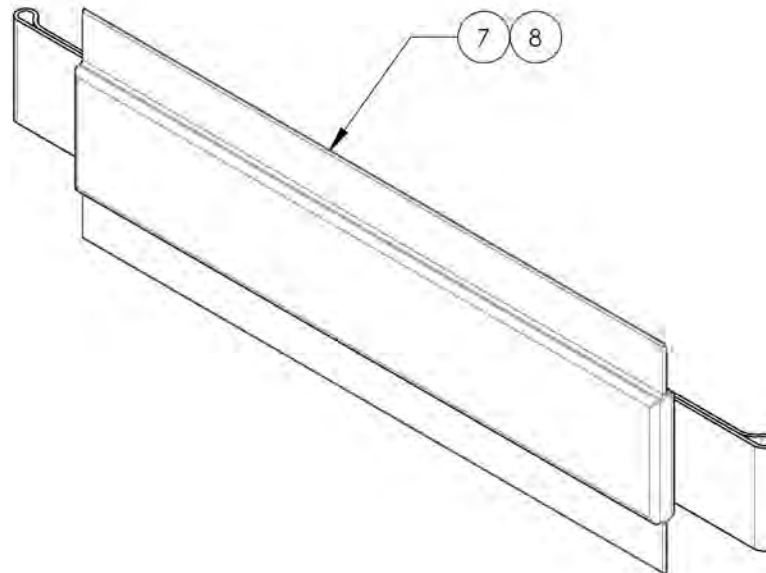
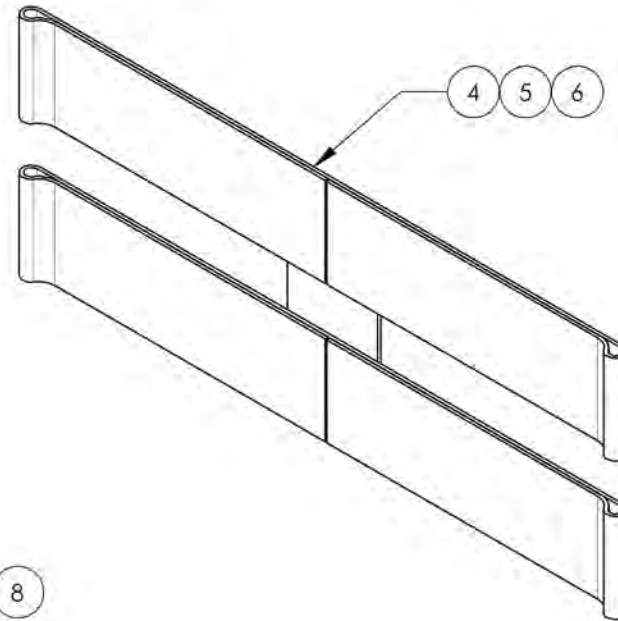
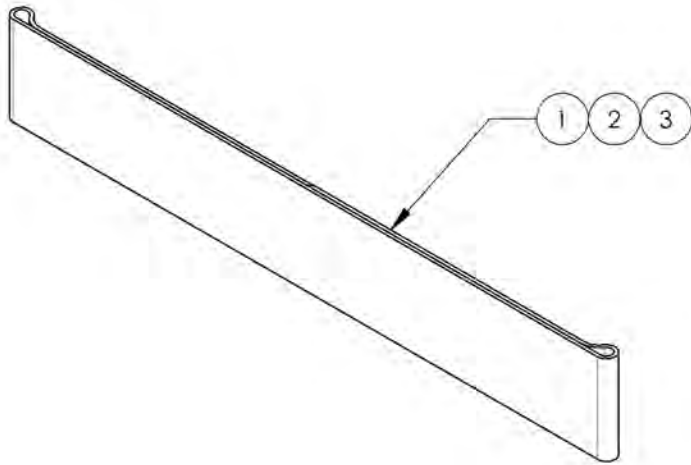


MAKE SURE TO HAVE YOUR SERIAL NUMBER  
 NEARBY WHEN ORDERING PARTS FOR YOUR  
 MOTION COMPOSITES WHEELCHAIR



**Footrests Catalogue  
Calf Straps**

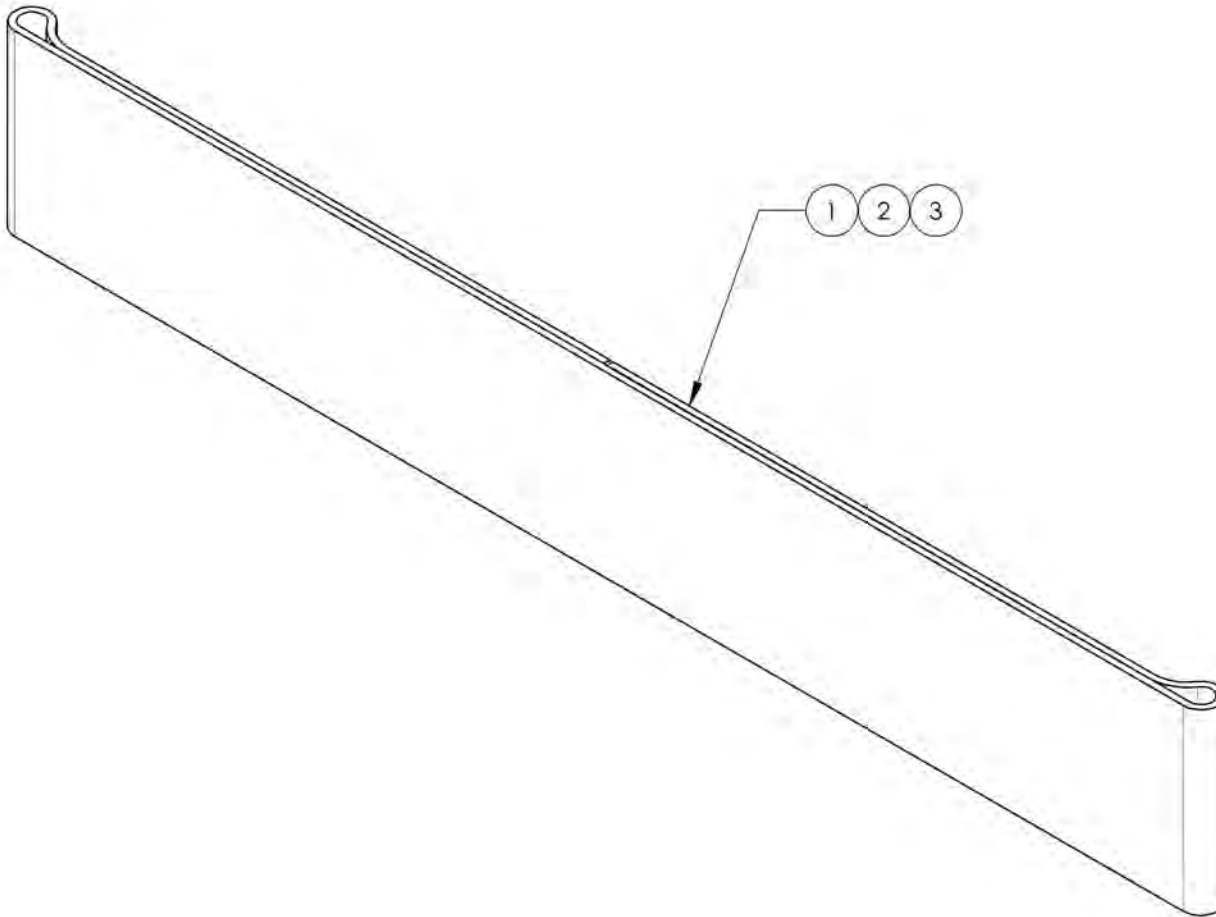
ITEM NO.	PARTNO	DESCRIPTION	QTY.
1	9001068	Calf Strap - Non Padded (Wheelchair Width: 12 to 14 in)	1
2	9001412	Calf Strap - Non Padded (Wheelchair Width: 15 to 17 in)	1
3	9001413	Calf Strap - Non Padded (Wheelchair Width: 18 to 22 in)	1
4	9001580	Calf Strap - Double, Non-Padded (Wheelchair Width: 12 to 14 in)	1
5	9002140	Calf Strap - Double, Non-Padded (Wheelchair Width: 15 to 17 in)	1
6	9002141	Calf Strap - Double, Non-Padded (Wheelchair Width: 18 to 22 in)	1
7	9001414	Calf Strap - Padded (Wheelchair Width: 15 to 17 in)	1
8	9001415	Calf Strap - Padded (Wheelchair Width: 18 to 22 in)	1



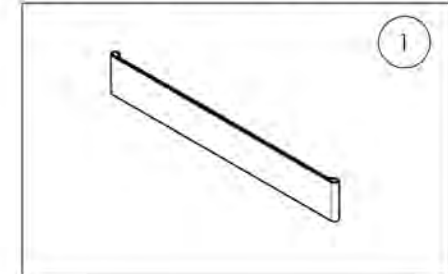
MAKE SURE TO HAVE YOUR SERIAL NUMBER  
NEARBY WHEN ORDERING PARTS FOR YOUR  
MOTION COMPOSITES WHEELCHAIR

**9001068 & 9001412\_9001413**  
**Calf Straps - Non Padded**

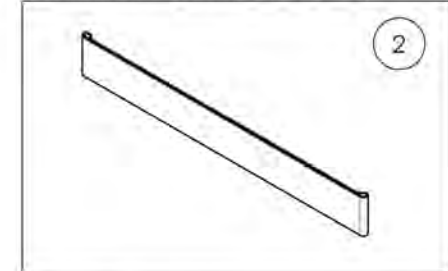
ITEM NO.	PARTNO	DESCRIPTION	9001068 /QTY.	9001412 /QTY.	9001413 /QTY.
1	31159	SIMPLE CALF STRAP 12-14 in	1	-	-
2	31046	SIMPLE CALF STRAP 15-17 in	-	1	-
3	31047	SIMPLE CALF STRAP 18-22 in	-	-	1



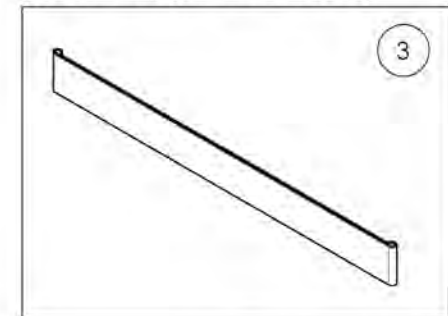
9001068  
 Calf Strap - Non Padded  
 (Wheelchair Width: 12 to 14 in)



9001412  
 Calf Strap - Non Padded  
 (Wheelchair Width: 15 to 17 in)



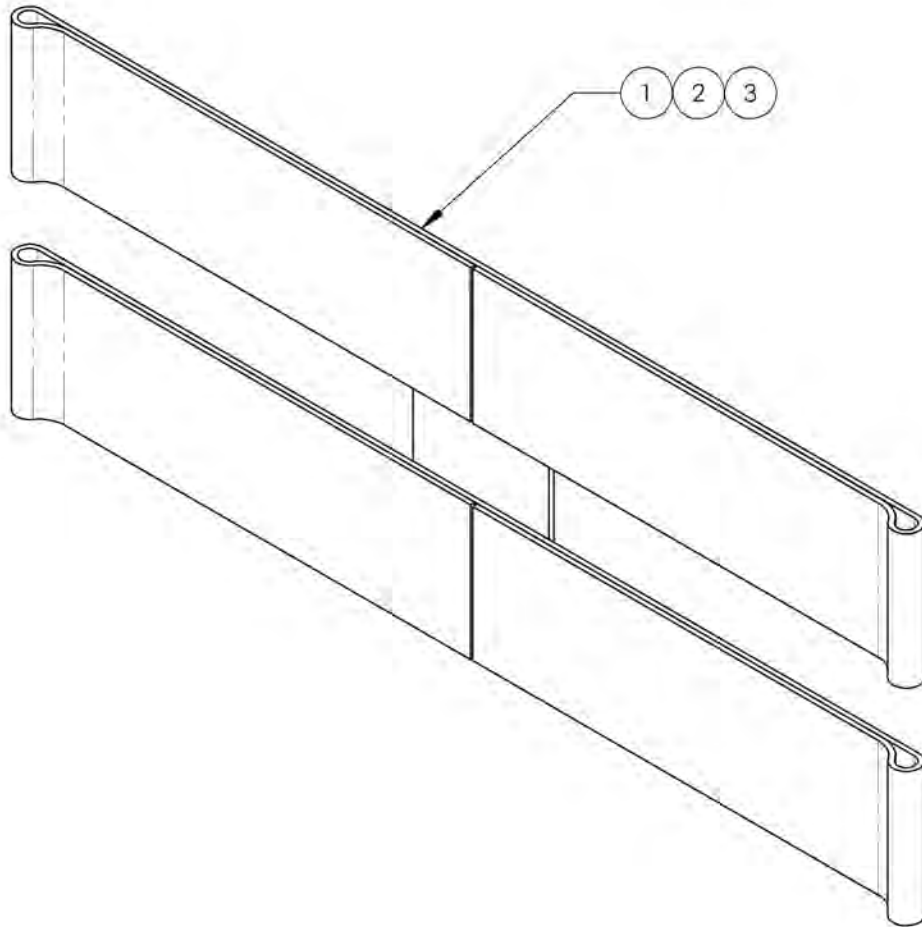
9001413  
 Calf Strap - Non Padded  
 (Wheelchair Width: 18 to 22 in)



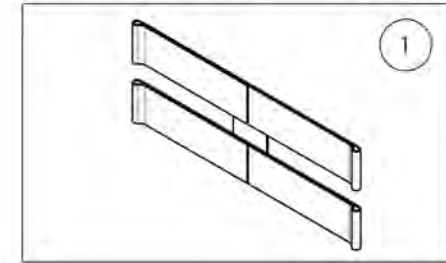
MAKE SURE TO HAVE YOUR SERIAL NUMBER  
 NEARBY WHEN ORDERING PARTS FOR YOUR  
 MOTION COMPOSITES WHEELCHAIR

**9001580 & 9002140 9002141**  
**Calf Strap - Double, Non-Padded**

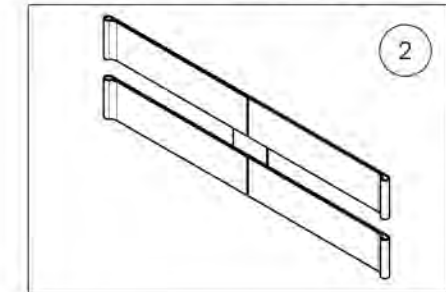
ITEM NO.	PARTNO	DESCRIPTION	9001580 /QTY.	9002140 /QTY.	9002141 /QTY.
1	31293	DOUBLE CALF STRAP 12-14 in	1	-	-
2	31281	DOUBLE CALF STRAP 15-17 in	-	1	-
3	31282	DOUBLE CALF STRAP 18-22 in	-	-	1



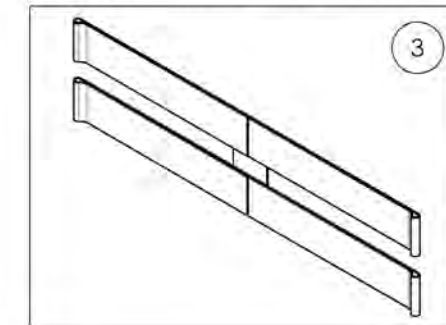
9001580  
 Calf Strap - Double, Non-Padded  
 (Wheelchair Width: 12 to 14 in)



9002140  
 Calf Strap - Double, Non-Padded  
 (Wheelchair Width: 15 to 17 in)



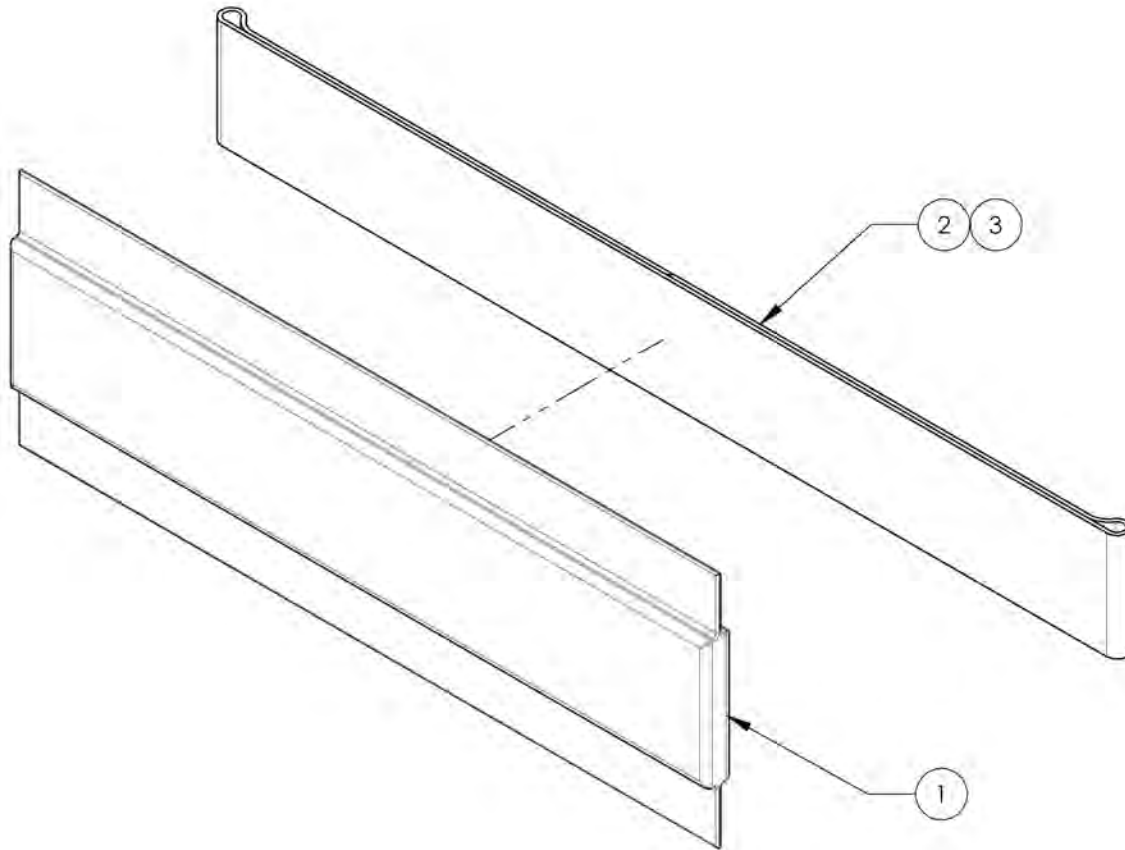
9002141  
 Calf Strap - Double, Non-Padded  
 (Wheelchair Width: 18 to 22 in)



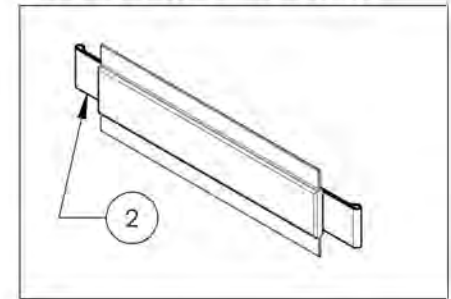
MAKE SURE TO HAVE YOUR SERIAL NUMBER  
 NEARBY WHEN ORDERING PARTS FOR YOUR  
 MOTION COMPOSITES WHEELCHAIR

**9001414\_9001415  
Calf Straps - Padded**

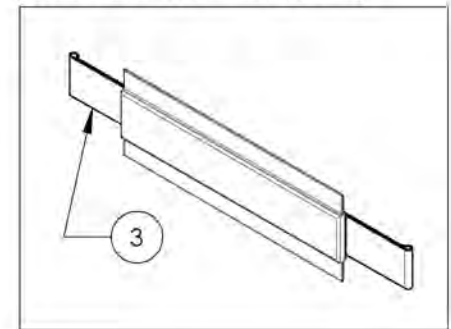
ITEM NO.	PARTNO	DESCRIPTION	9001414 /QTY.	9001415 /QTY.
1	31061	PADDED CALF PAD	1	1
2	31046	SIMPLE CALF STRAP 15-17 in	1	-
3	31047	SIMPLE CALF STRAP 18-22 in	-	1



9001414  
Calf Strap - Padded  
(Wheelchair Width: 15 to 17 in)



9001415  
Calf Strap - Padded  
(Wheelchair Width: 18 to 22 in)

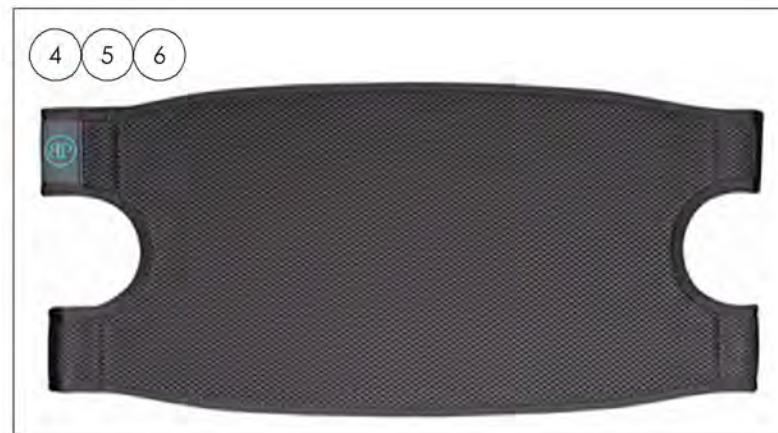


MAKE SURE TO HAVE YOUR SERIAL NUMBER  
NEARBY WHEN ORDERING PARTS FOR YOUR  
MOTION COMPOSITES WHEELCHAIR



**Footrests Catalogue**  
**Bodypoint Aeromesh Calf Supports**

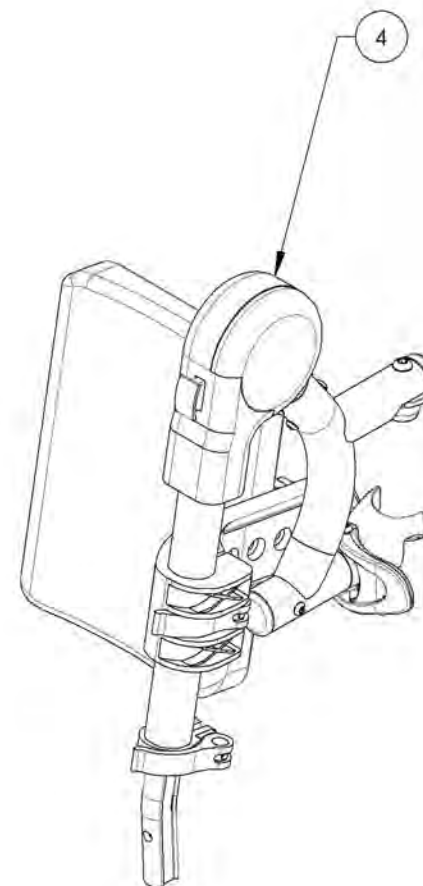
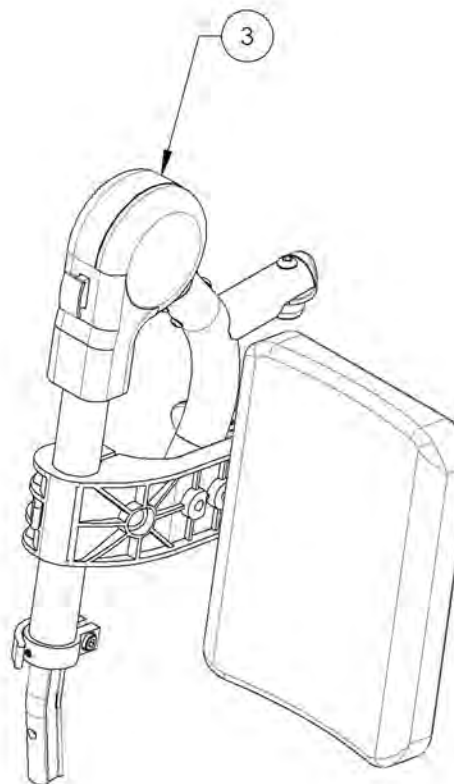
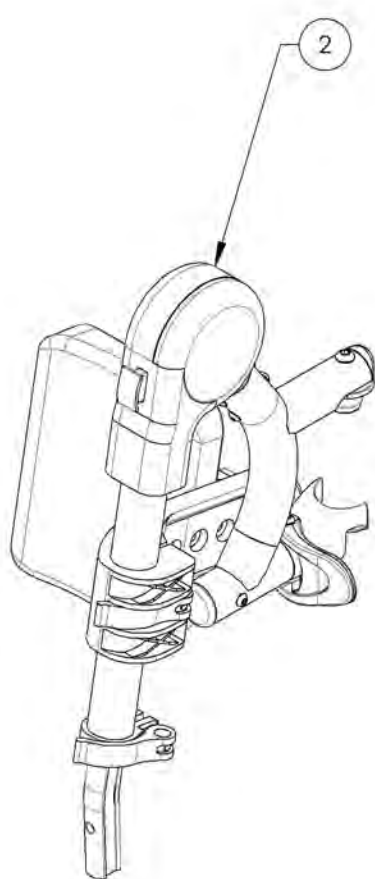
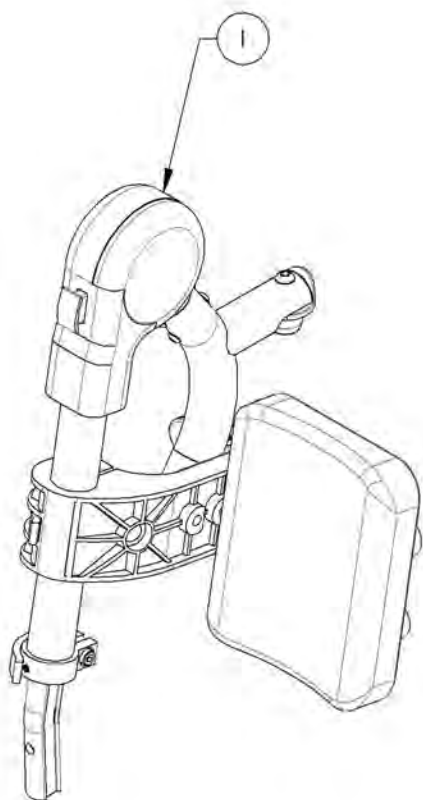
ITEM NO.	PARTNO	DESCRIPTION	QTY
1	9007795	Calf Strap - Bodypoint Aeromesh, Small (Width: 12 to 16 in) (30.4 to 40.6 cm)	1
2	9007796	Calf Strap - Bodypoint Aeromesh, Medium (Width: 17 to 20 in) (43.2 to 50.8 cm)	1
3	9007797	Calf Strap - Bodypoint Aeromesh, Large (Width: 21 to 24 in) (53.3 to 61 cm)	1
4	9007798	Calf Panel - Bodypoint Aeromesh, Small (Width: 12 to 16 in) (30.4 to 40.6 cm)	1
5	9007799	Calf Panel - Bodypoint Aeromesh, Medium (Width: 17 to 20 in) (43.2 to 50.8 cm)	1
6	9007800	Calf Panel - Bodypoint Aeromesh, Large (Width: 21 to 24 in) (53.3 to 61 cm)	1



MAKE SURE TO HAVE YOUR SERIAL NUMBER  
 NEARBY WHEN ORDERING PARTS FOR YOUR  
 MOTION COMPOSITES WHEELCHAIR

**Footrests Catalogue**  
**Elevating Legrests - Swing-In/Swing-Out**

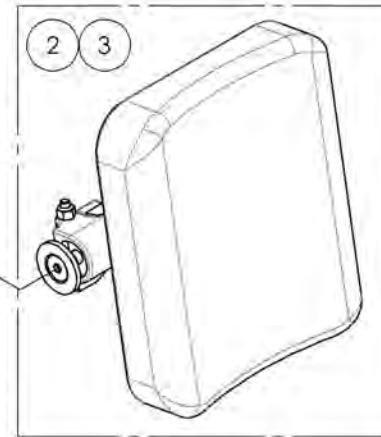
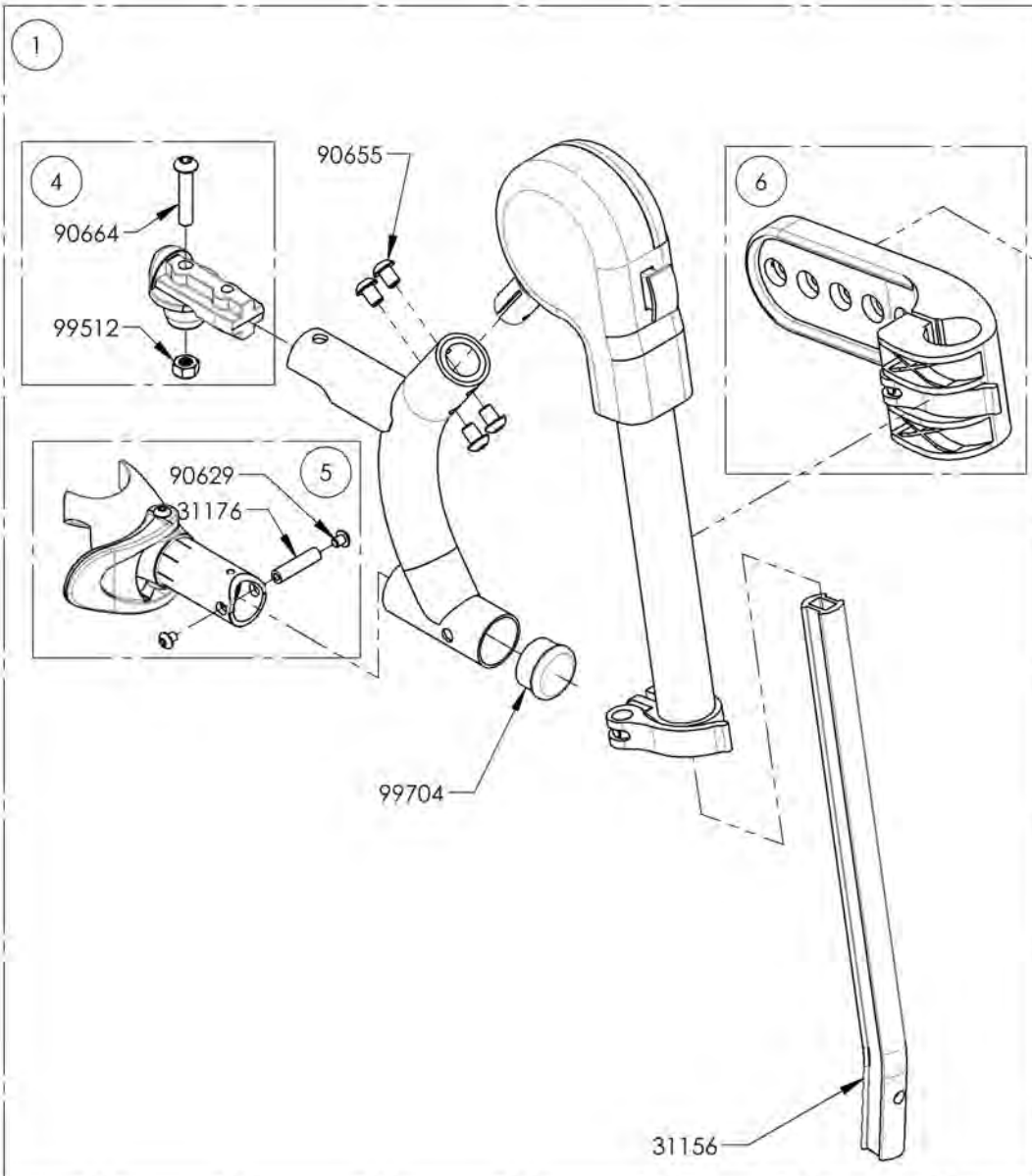
ITEM NO.	PARTNO	DESCRIPTION	QTY.
1	9001354	Elevating Legrest + Calf Pad - Swing-In/Swing-Out, Right (Wheelchair Width: 14 to 16 in)	1
2	9001356	Elevating Legrest + Calf Pad - Swing-In/Swing-Out, Left (Wheelchair Width: 14 to 16 in)	1
3	9001355	Elevating Legrest + Calf Pad - Swing-In/Swing-Out, Right (Wheelchair Width: 17 to 22 in)	1
4	9001357	Elevating Legrest + Calf Pad - Swing-In/Swing-Out, Left (Wheelchair Width: 17 to 22 in)	1



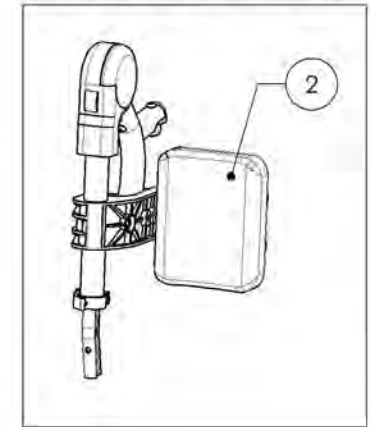
MAKE SURE TO HAVE YOUR SERIAL NUMBER  
 NEARBY WHEN ORDERING PARTS FOR YOUR  
 MOTION COMPOSITES WHEELCHAIR

**9001354\_9001355**  
**Elevating Legrest + Calf Pad - Swing-In/Swing-Out, Right**

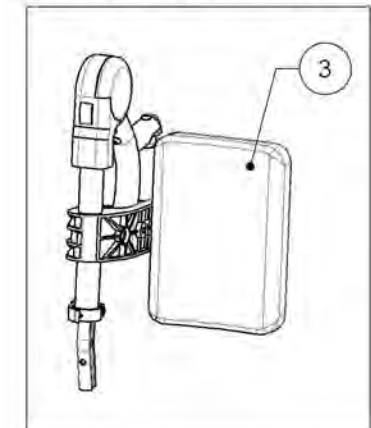
ITEM NO.	PARTNO	DESCRIPTION	9001354 /QTY.	9001355 /QTY.	REPLACEMENT PARTS/QTY.
1	31564	V2 ELEVATING LEGREST RIGHT	1	1	-
2	31140	14-16" RIGHT ELEVATING LEGREST CALF PAD	1	-	-
3	31142	17-22" RIGHT ELEVATING LEGREST CALF PAD	-	1	-
4	31551	V2 FOOTREST PIVOT - ASSEMBLY	-	-	1
5	31550	V2 FOOTREST HOUSING RIGHT - ASSEMBLY	-	-	1
6	31158	ELEVATING LEGREST CALF PAD SUPPORT	-	-	1



**9001354**  
 Elevating Legrest + Calf Pad -  
 Swing-In/Swing-Out, Right  
 (Wheelchair Width: 14 to 16 in)



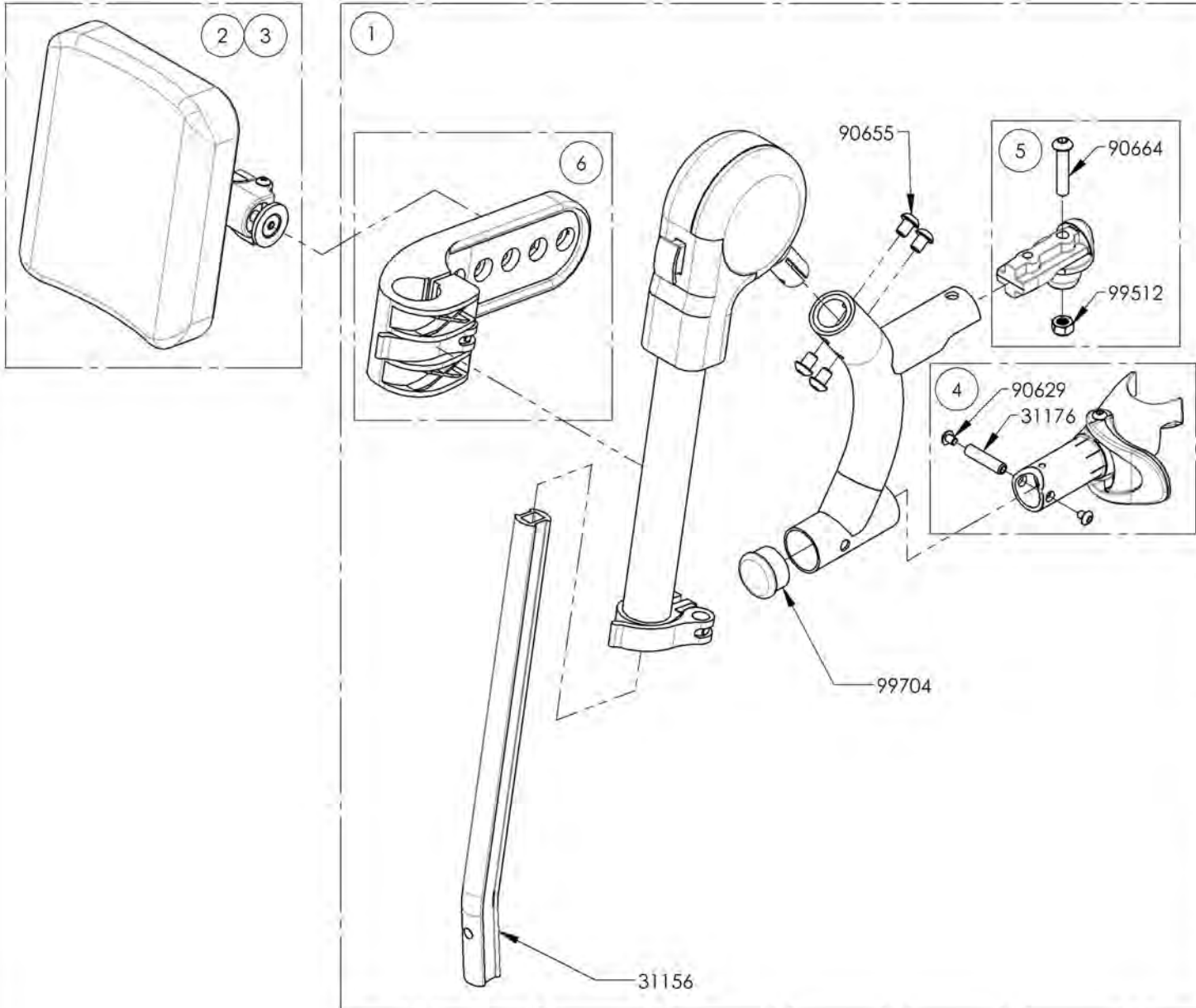
**9001355**  
 Elevating Legrest + Calf Pad -  
 Swing-In/Swing-Out, Right  
 (Wheelchair Width: 17 to 22 in)



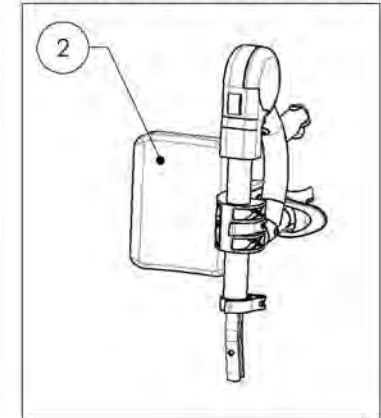
MAKE SURE TO HAVE YOUR SERIAL NUMBER  
 NEARBY WHEN ORDERING PARTS FOR YOUR  
 MOTION COMPOSITES WHEELCHAIR

**9001356\_9001357**  
**Elevating Legrest + Calf Pad - Swing-In/Swing-Out, Left**

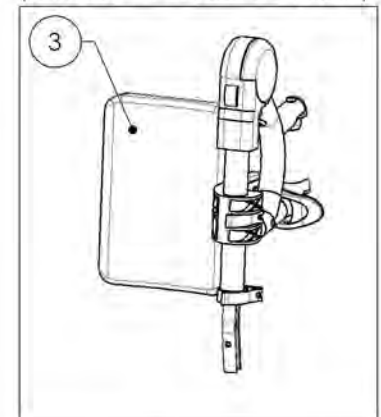
ITEM NO.	PARTNO	DESCRIPTION	9001356 /QTY.	9001357 /QTY.	REPLACEMENT PARTS/QTY.
1	31565	V2 ELEVATING LEGREST LEFT	1	1	-
2	31141	14-16" LEFT ELEVATING LEGREST CALF PAD	1	-	-
3	31143	17-22" LEFT ELEVATING LEGREST CALF PAD	-	1	-
4	31551	V2 FOOTREST PIVOT - ASSEMBLY	-	-	1
5	31549	V2 FOOTREST HOUSING LEFT - ASSEMBLY	-	-	1
6	31158	ELEVATING LEGREST CALF PAD SUPPORT	-	-	1



**9001356**  
 Elevating Legrest + Calf Pad -  
 Swing-In/Swing-Out, Left  
 (Wheelchair Width: 14 to 16 in)



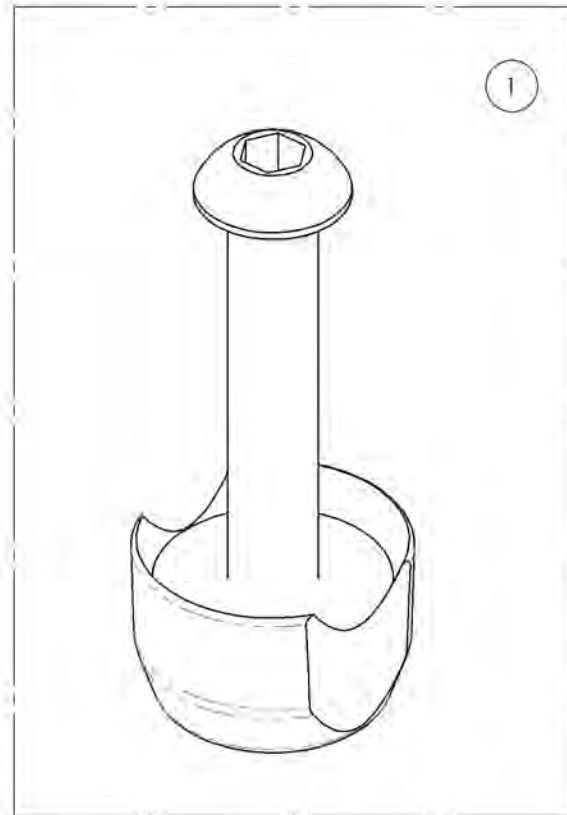
**9001357**  
 Elevating Legrest + Calf Pad -  
 Swing-In/Swing-Out, Left  
 (Wheelchair Width: 17 to 22 in)



MAKE SURE TO HAVE YOUR SERIAL NUMBER NEARBY WHEN ORDERING PARTS FOR YOUR MOTION COMPOSITES WHEELCHAIR

**Footrests Catalogue  
Pivot Extension Kit**

ITEM NO.	PARTNO	DESCRIPTION	QTY
1	9003079	Footrest - Pivot Extension Kit	1

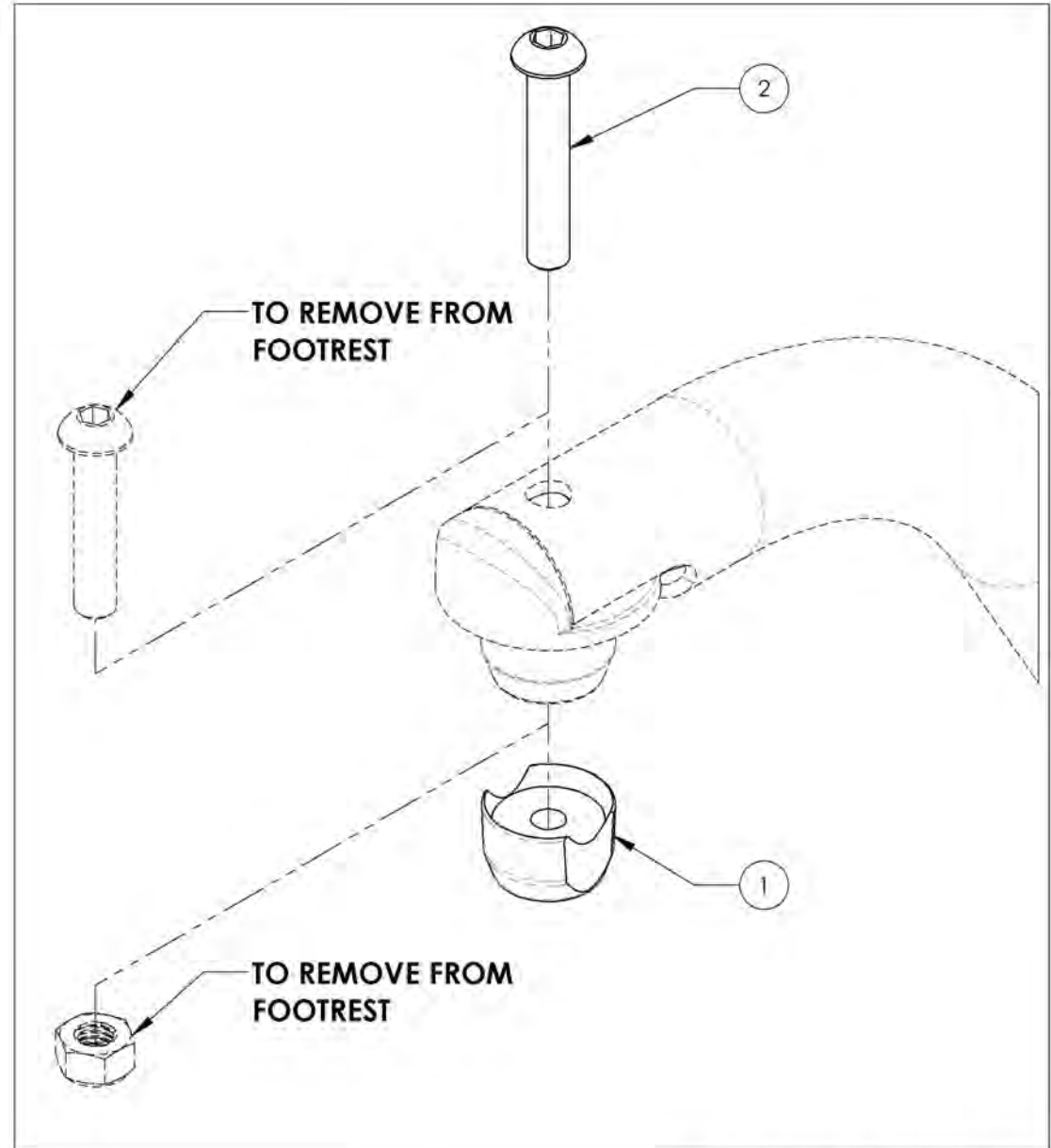
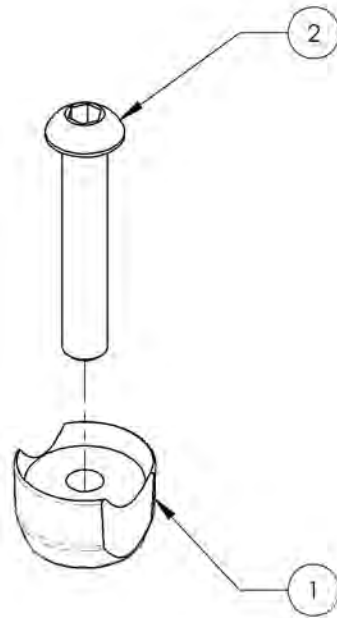


MAKE SURE TO HAVE YOUR SERIAL NUMBER  
NEARBY WHEN ORDERING PARTS FOR YOUR  
MOTION COMPOSITES WHEELCHAIR



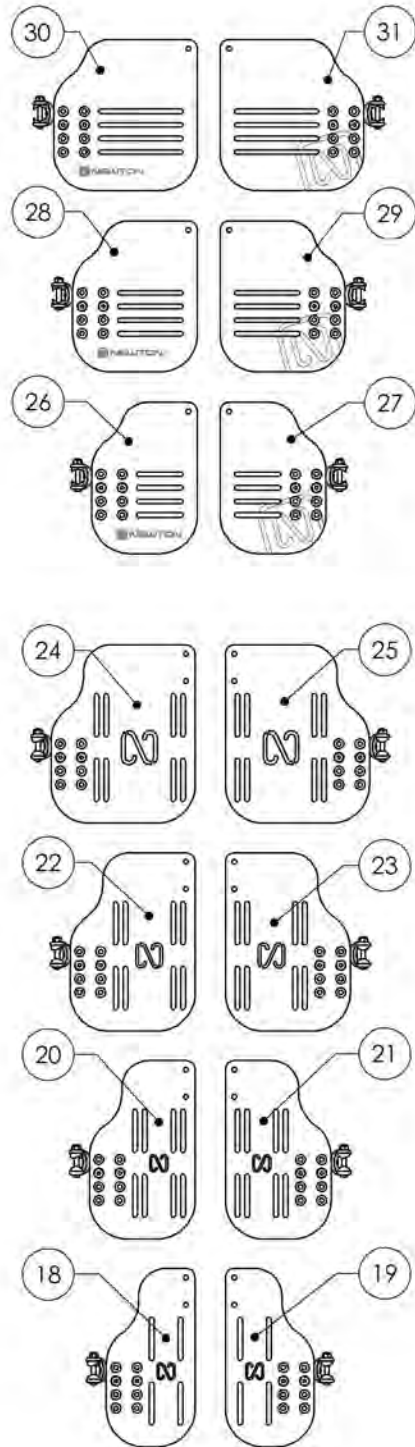
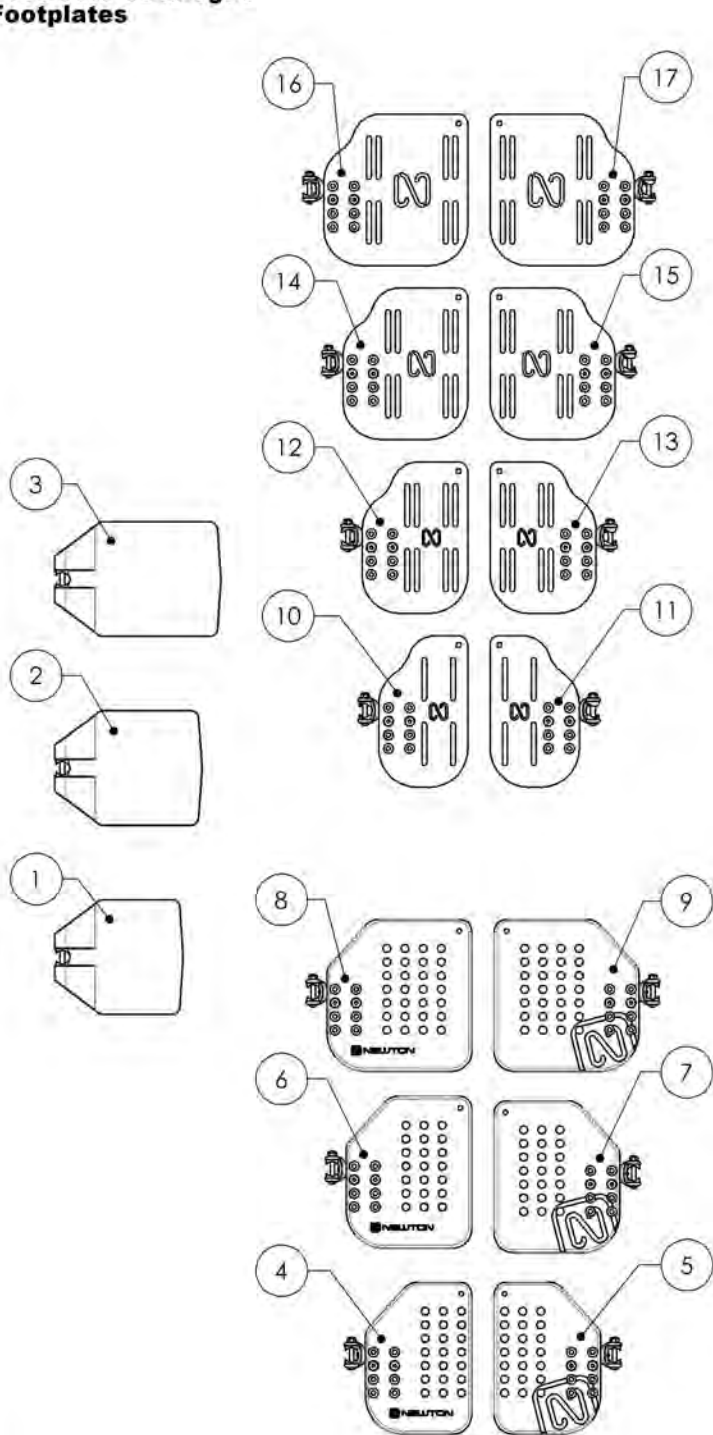
**9003079**  
**Footrest - Pivot Extension Kit**

ITEM NO.	PARTNO	DESCRIPTION	9003079 /QTY.
1	31247	V2 FOOTREST PIVOT EXTENSION	1
2	90665	BUTTON HEAD CAP SCREW M6X1 X 35mm LONG, 24mm THREADED + BLUE THREADLOCKER - BLACK ZINC	1

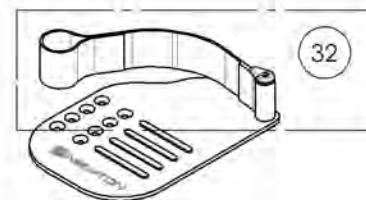


MAKE SURE TO HAVE YOUR SERIAL NUMBER  
 NEARBY WHEN ORDERING PARTS FOR YOUR  
 MOTION COMPOSITES WHEELCHAIR

# Footrests Catalogue Footplates



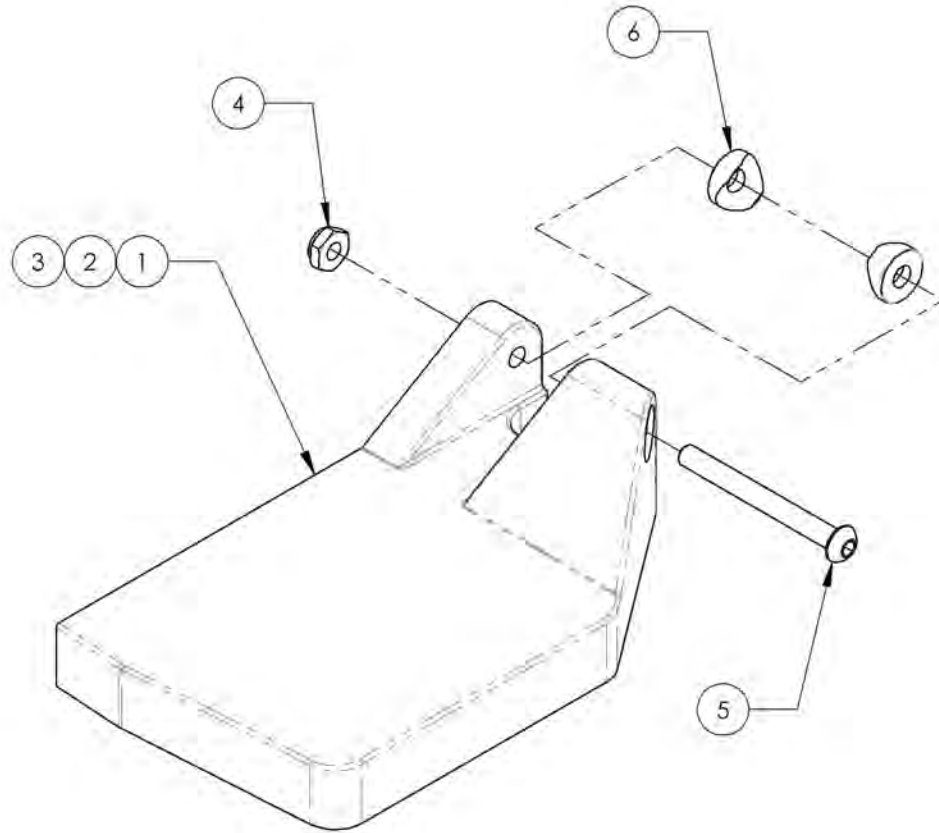
ITEM NO.	PARTNO	DESCRIPTION	QTY
1	9001360	Footplate - Composite, 6 x 6 in (Wheelchair Width: 14 to 16 in)	1
2	9001361	Footplate - Composite, 7 x 6 in (Wheelchair Width: 17 to 18 in)	1
3	9001362	Footplate - Composite, 8 x 6 in (Wheelchair Width: 19 in+)	1
4	9001430	Footplate - Plastic, Newton Angle Adjustable, Right, 5½ x 8 in (Wheelchair Width: 14 to 16 in)	1
5	9001433	Footplate - Plastic, Newton Angle Adjustable, Left, 5½ x 8 in (Wheelchair Width: 14 to 16 in)	1
6	9001431	Footplate - Plastic, Newton Angle Adjustable, Right, 6½ x 8 in (Wheelchair Width: 17 to 18 in)	1
7	9001434	Footplate - Plastic, Newton Angle Adjustable, Left, 6½ x 8 in (Wheelchair Width: 17 to 18 in)	1
8	9001432	Footplate - Plastic, Newton Angle Adjustable, Right, 7½ x 8 in (Wheelchair Width: 19 in+)	1
9	9001435	Footplate - Plastic, Newton Angle Adjustable, Left, 7½ x 8 in (Wheelchair Width: 19 in+)	1
10	9001363	Footplate - Aluminium, Angle Adjustable, Right, 4½ x 8 in (Wheelchair Width: 12 to 13 in)	1
11	9001367	Footplate - Aluminium, Angle Adjustable, Left, 4½ x 8 in (Wheelchair Width: 12 to 13 in)	1
12	9001364	Footplate - Aluminium, Angle Adjustable, Right, 5½ x 8 in (Wheelchair Width: 14 to 16 in)	1
13	9001368	Footplate - Aluminium, Angle Adjustable, Left, 5½ x 8 in (Wheelchair Width: 14 to 16 in)	1
14	9001365	Footplate - Aluminium, Angle Adjustable, Right, 6½ x 8 in (Wheelchair Width: 17 to 18 in)	1
15	9001369	Footplate - Aluminium, Angle Adjustable, Left, 6½ x 8 in (Wheelchair Width: 17 to 18 in)	1
16	9001366	Footplate - Aluminium, Angle Adjustable, Right, 7½ x 8 in (Wheelchair Width: 19 in+)	1
17	9001370	Footplate - Aluminium, Angle Adjustable, Left, 7½ x 8 in (Wheelchair Width: 19 in+)	1
18	9001398	Footplate - Aluminium, Newton Angle Adjustable, Right, 4½ x 9½ in (Wheelchair Width: 12 to 13 in)	1
19	9001400	Footplate - Aluminium, Newton Angle Adjustable, Left, 4½ x 9½ in (Wheelchair Width: 12 to 13 in)	1
20	9001399	Footplate - Aluminium, Newton Angle Adjustable, Right, 5½ x 9½ in (Wheelchair Width: 14 to 16 in)	1
21	9001401	Footplate - Aluminium, Newton Angle Adjustable, Left, 5½ x 9½ in (Wheelchair Width: 14 to 16 in)	1
22	9002869	Footplate - Aluminium, Newton Angle Adjustable, Right, 6½ x 9½ in (Wheelchair Width: 17 to 18 in)	1
23	9002871	Footplate - Aluminium, Newton Angle Adjustable, Left, 6½ x 9½ in (Wheelchair Width: 17 to 18 in)	1
24	9002870	Footplate - Aluminium, Newton Angle Adjustable, Right, 7½ x 9½ in (Wheelchair Width: 19 in+)	1
25	9002872	Footplate - Aluminium, Newton Angle Adjustable, Left, 7½ x 9½ in (Wheelchair Width: 19 in+)	1
26	9001384	Footplate - Carbon Fiber, Angle Adjustable, Right, 5½ x 8 in (Wheelchair Width: 14 to 16 in)	1
27	9001387	Footplate - Carbon Fiber, Angle Adjustable, Left, 5½ x 8 in (Wheelchair Width: 14 to 16 in)	1
28	9001385	Footplate - Carbon Fiber, Angle Adjustable, Right, 6½ x 8 in (Wheelchair Width: 17 to 18 in)	1
29	9001388	Footplate - Carbon Fiber, Angle Adjustable, Left, 6½ x 8 in (Wheelchair Width: 17 to 18 in)	1
30	9001386	Footplate - Carbon Fiber, Angle Adjustable, Right, 7½ x 8 in (Wheelchair Width: 19 in+)	1
31	9001389	Footplate - Carbon Fiber, Angle Adjustable, Left, 7½ x 8 in (Wheelchair Width: 19 in+)	1
32	9001411	Heel Loop - Length Adjustable	1



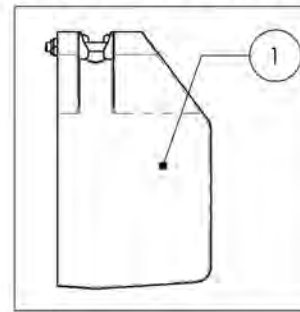
MAKE SURE TO HAVE YOUR SERIAL NUMBER NEARBY WHEN ORDERING PARTS FOR YOUR MOTION COMPOSITES WHEELCHAIR

**9001132\_9001134**  
**Footplate - Composite, Right**

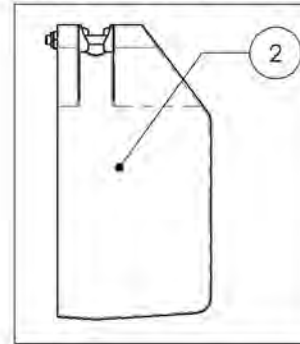
ITEM NO.	PARTNO	DESCRIPTION	9001132 /QTY.	9001133 /QTY.	9001134 /QTY.
1	31275	COMPOSITE FOOTPLATE 6 x 4 in, RIGHT (WHEELCHAIR WIDTH: 14-16 in)	1	-	-
2	31277	COMPOSITE FOOTPLATE 7 x 4 in, RIGHT (WHEELCHAIR WIDTH: 17-18 in)	-	1	-
3	31279	COMPOSITE FOOTPLATE 8 x 4 in, RIGHT (WHEELCHAIR WIDTH: 19 in +)	-	-	1
4	99510	THIN HEX LOCKNUT 1/4-20	1	1	1
5	90670	BUTTON HEAD CAP SCREW M6X1 X 58mm LONG, 24mm THREADED + BLUE THREADLOCKER - BLACK ZINC	1	1	1
6	31052	COVED WASHER 1_4 x 3_4	2	2	2



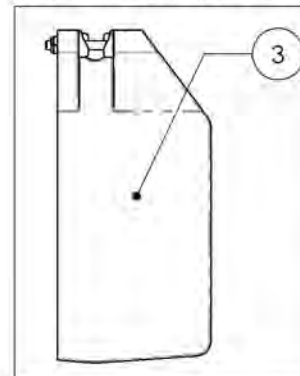
9001132  
 Footplate - Composite, Right, 6 x 4 in (Wheelchair Width: 14 to 16 in)



9001133  
 Footplate - Composite, Right, 7 x 4 in (Wheelchair Width: 17 to 18 in)



9001134  
 Footplate - Composite, Right, 8 x 4 in (Wheelchair Width: 19 in +)



MAKE SURE TO HAVE YOUR SERIAL NUMBER  
 NEARBY WHEN ORDERING PARTS FOR YOUR  
 MOTION COMPOSITES WHEELCHAIR

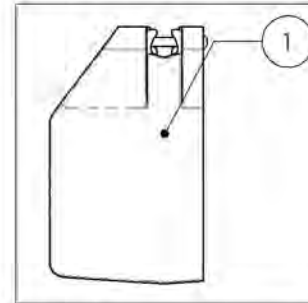
**9001135\_9001137**

**Footplate - Composite, Left**

ITEM NO.	PARTNO	DESCRIPTION	9001135 /QTY.	9001136 /QTY.	9001137 /QTY.
1	31276	COMPOSITE FOOTPLATE 6 x 4 in, LEFT (WHEELCHAIR WIDTH: 14-16 in)	1	-	-
2	31278	COMPOSITE FOOTPLATE 7 x 4 in, LEFT (WHEELCHAIR WIDTH: 17-18 in)	-	1	-
3	31280	COMPOSITE FOOTPLATE 8 x 4 in, LEFT (WHEELCHAIR WIDTH: 19 in +)	-	-	1
4	99510	THIN HEX LOCKNUT 1/4-20	1	1	1
5	90670	BUTTON HEAD CAP SCREW M6X1 X 58mm LONG, 24mm THREADED + BLUE THREADLOCKER - BLACK ZINC	1	1	1
6	31052	COVED WASHER 1_4 x 3_4	2	2	2

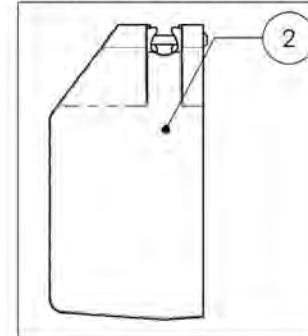
9001135

Footplate - Composite, Left, 6 x 4 in (Wheelchair Width: 14 to 16 in)



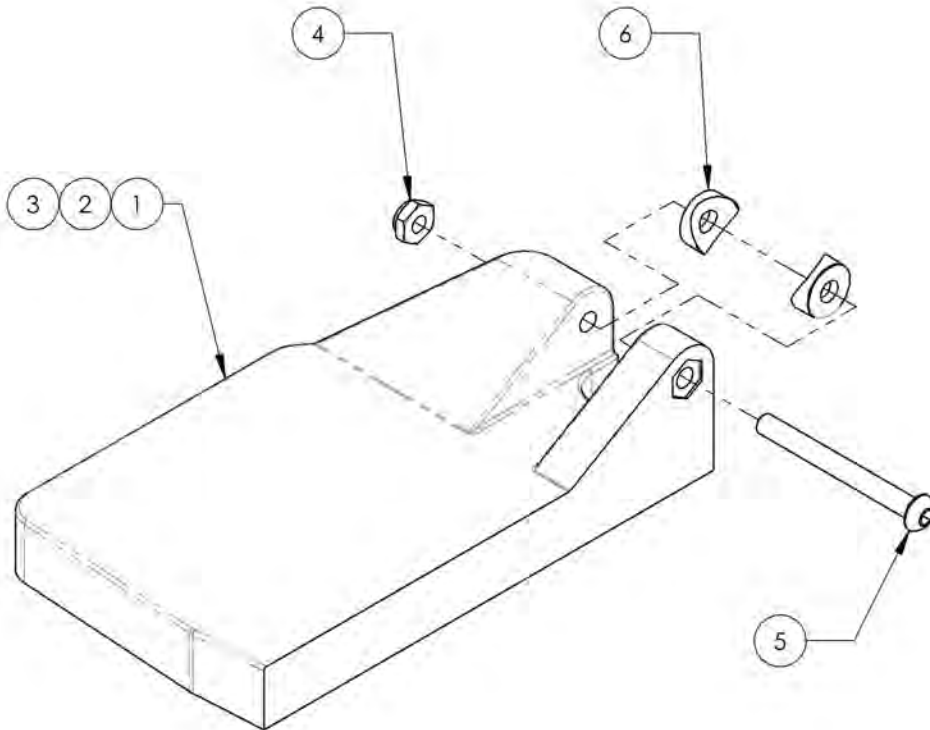
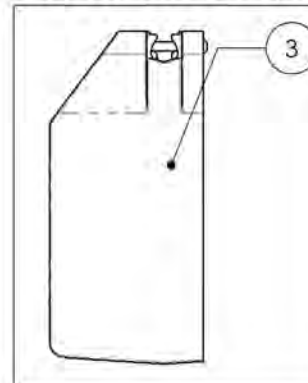
9001136

Footplate - Composite, Left, 7 x 4 in (Wheelchair Width: 17 to 18 in)



9001137

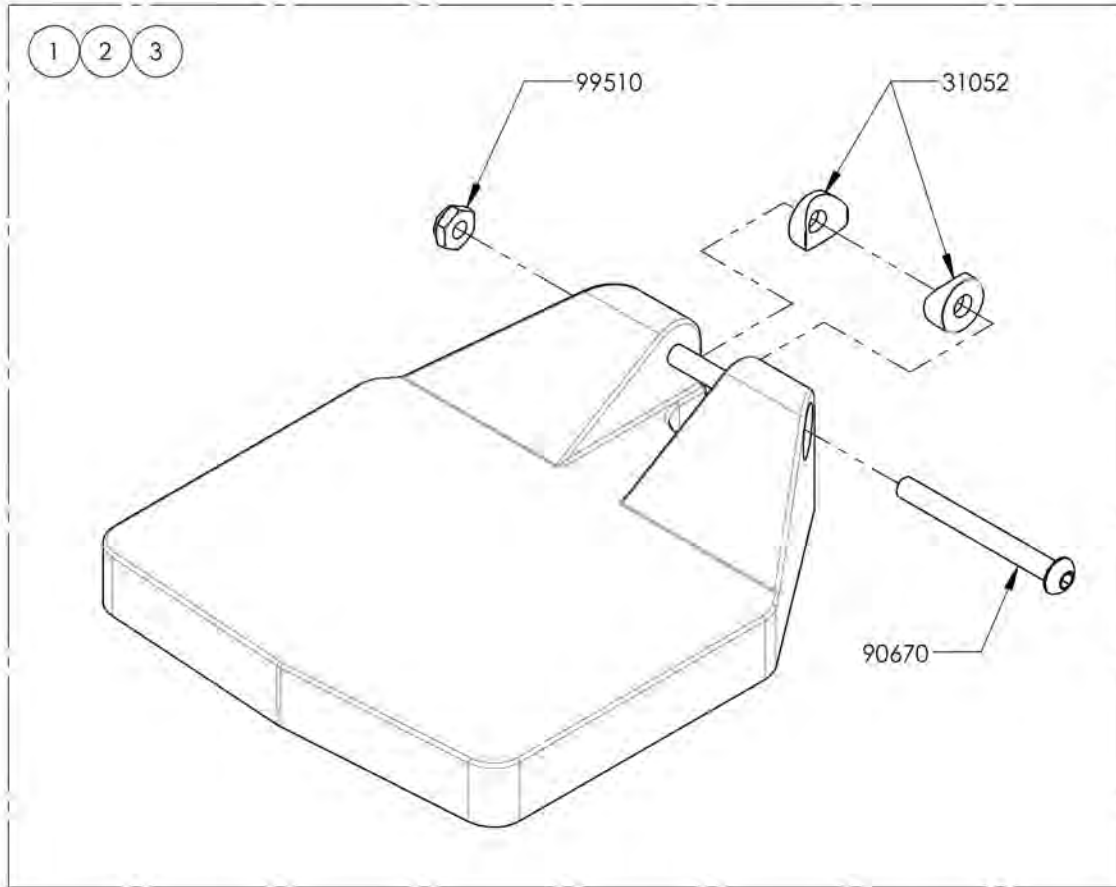
Footplate - Composite, Left, 8 x 4 in (Wheelchair Width: 19 in +)



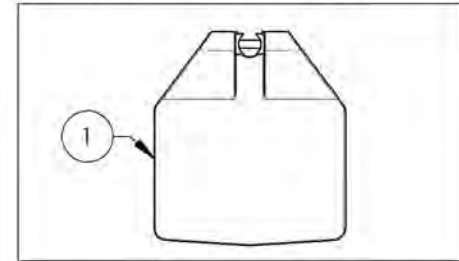
MAKE SURE TO HAVE YOUR SERIAL NUMBER NEARBY WHEN ORDERING PARTS FOR YOUR MOTION COMPOSITES WHEELCHAIR

**9001360\_9001362**  
**Footplate - Composite, 6 in Depth**

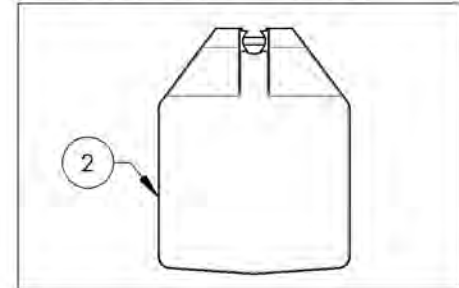
ITEM NO.	PARTNO	DESCRIPTION	9001360 /QTY.	9001361 /QTY.	9001362 /QTY.
1	31025	Standard Footplates (Wheelchair Width: 14-16 in)	1	-	-
2	31026	Standard Footplates (Wheelchair Width: 17-18 in)	-	1	-
3	31027	Standard Footplates (Wheelchair Width: 19 in +)	-	-	1



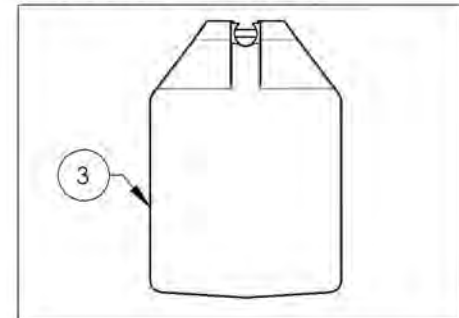
9001360  
 Footplate - Composite, 6 x 6 in  
 (Wheelchair Width: 14 to 16 in)



9001361  
 Footplate - Composite, 7 x 6 in  
 (Wheelchair Width: 17 to 18 in)



9001362  
 Footplate - Composite, 8 x 6 in  
 (Wheelchair Width: 19 in+)



MAKE SURE TO HAVE YOUR SERIAL NUMBER  
 NEARBY WHEN ORDERING PARTS FOR YOUR  
 MOTION COMPOSITES WHEELCHAIR

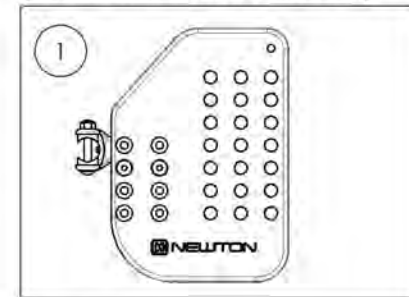


**9001430\_9001432**

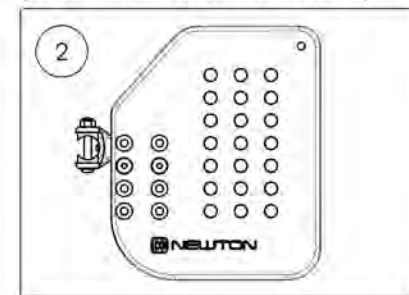
**Footplate - Plastic, Newton Angle Adjustable, Right, 8 in Depth**

ITEM NO.	PARTNO	DESCRIPTION	9001430 /QTY.	9001431 /QTY.	9001432 /QTY.
1	31589	14-16" PLASTIC ANGLE ADJUSTABLE FOOTPLATE RIGHT - ASSEMBLY	1	-	-
2	31591	17-18" PLASTIC ANGLE ADJUSTABLE FOOTPLATE RIGHT - ASSEMBLY	-	1	-
3	31593	19-20" PLASTIC ANGLE ADJUSTABLE FOOTPLATE RIGHT - ASSEMBLY	-	-	1

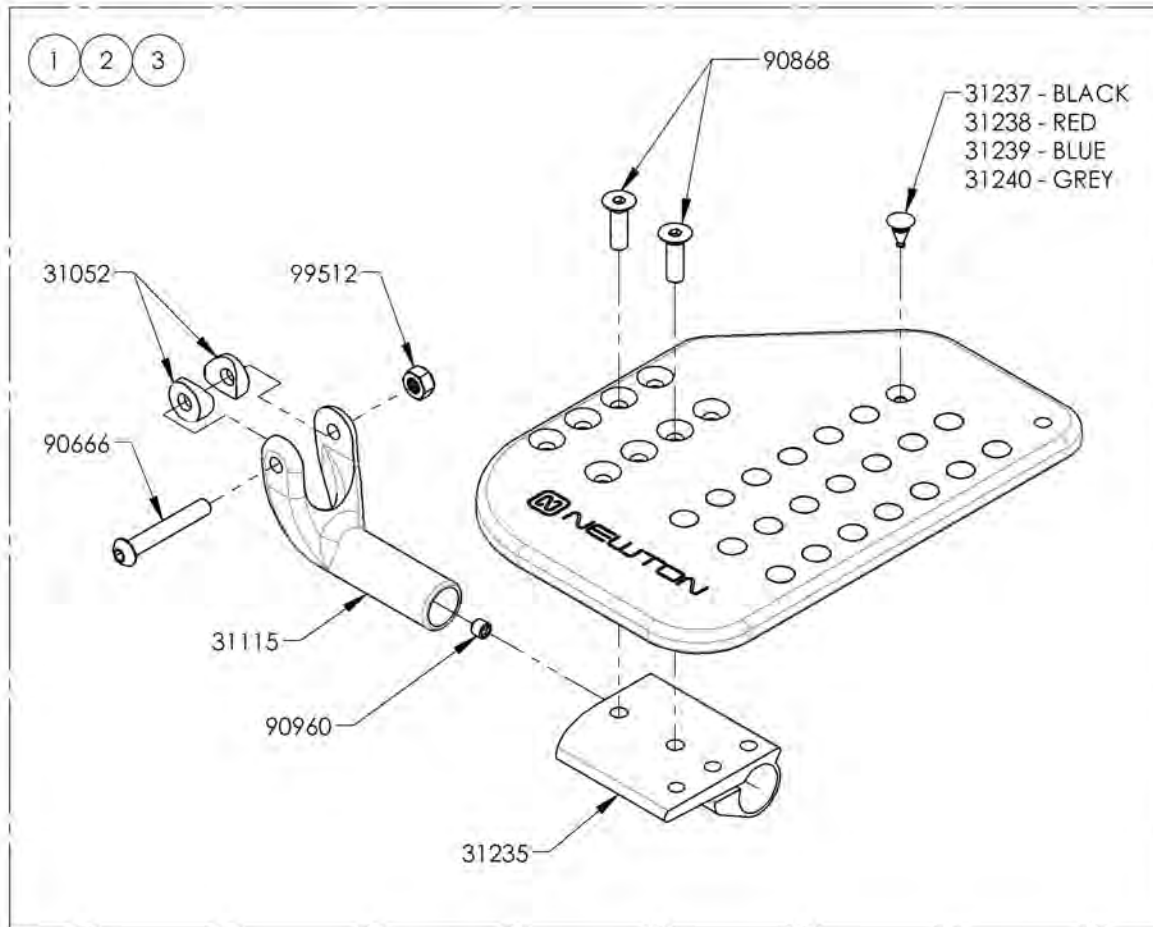
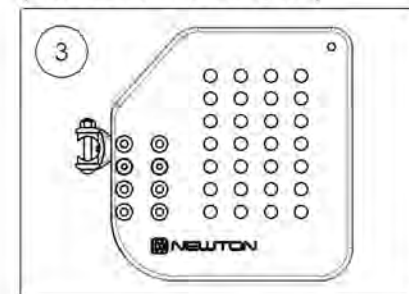
9001430  
Footplate - Plastic, Newton Angle Adjustable, Right, 5½ x 8 in  
(Wheelchair Width: 14 to 16 in)



9001431  
Footplate - Plastic, Newton Angle Adjustable, Right, 6½ x 8 in  
(Wheelchair Width: 17 to 18 in)



9001432  
Footplate - Plastic, Newton Angle Adjustable, Right, 7½ x 8 in  
(Wheelchair Width: 19 in+)



MAKE SURE TO HAVE YOUR SERIAL NUMBER NEARBY WHEN ORDERING PARTS FOR YOUR MOTION COMPOSITES WHEELCHAIR

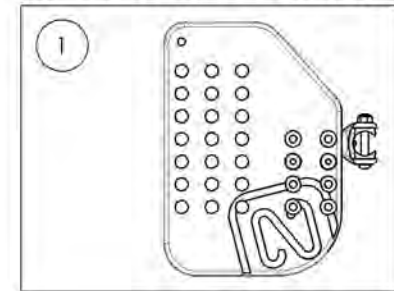
**9001433\_9001435**

**Footplate - Plastic, Newton Angle adjustable, Left, 8 in Depth**

ITEM NO.	PARTNO	DESCRIPTION	9001433 /QTY.	9001434 /QTY.	9001435 /QTY.
1	31590	14-16" PLASTIC ANGLE ADJUSTABLE FOOTPLATE LEFT - ASSEMBLY	1	-	-
2	31592	17-18" PLASTIC ANGLE ADJUSTABLE FOOTPLATE LEFT - ASSEMBLY	-	1	-
3	31594	19-20" PLASTIC ANGLE ADJUSTABLE FOOTPLATE LEFT - ASSEMBLY	-	-	1

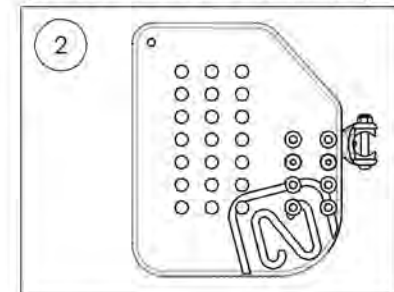
**9001433**

Footplate - Plastic, Newton Angle Adjustable, Left, 5½ x 8 in (Wheelchair Width: 14 to 16 in)



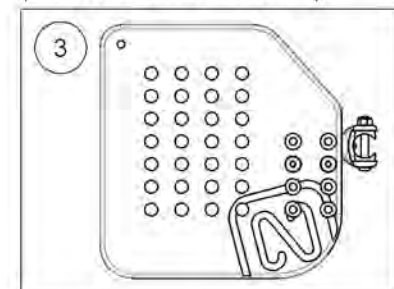
**9001434**

Footplate - Plastic, Newton Angle Adjustable, Left, 6½ x 8 in (Wheelchair Width: 17 to 18 in)

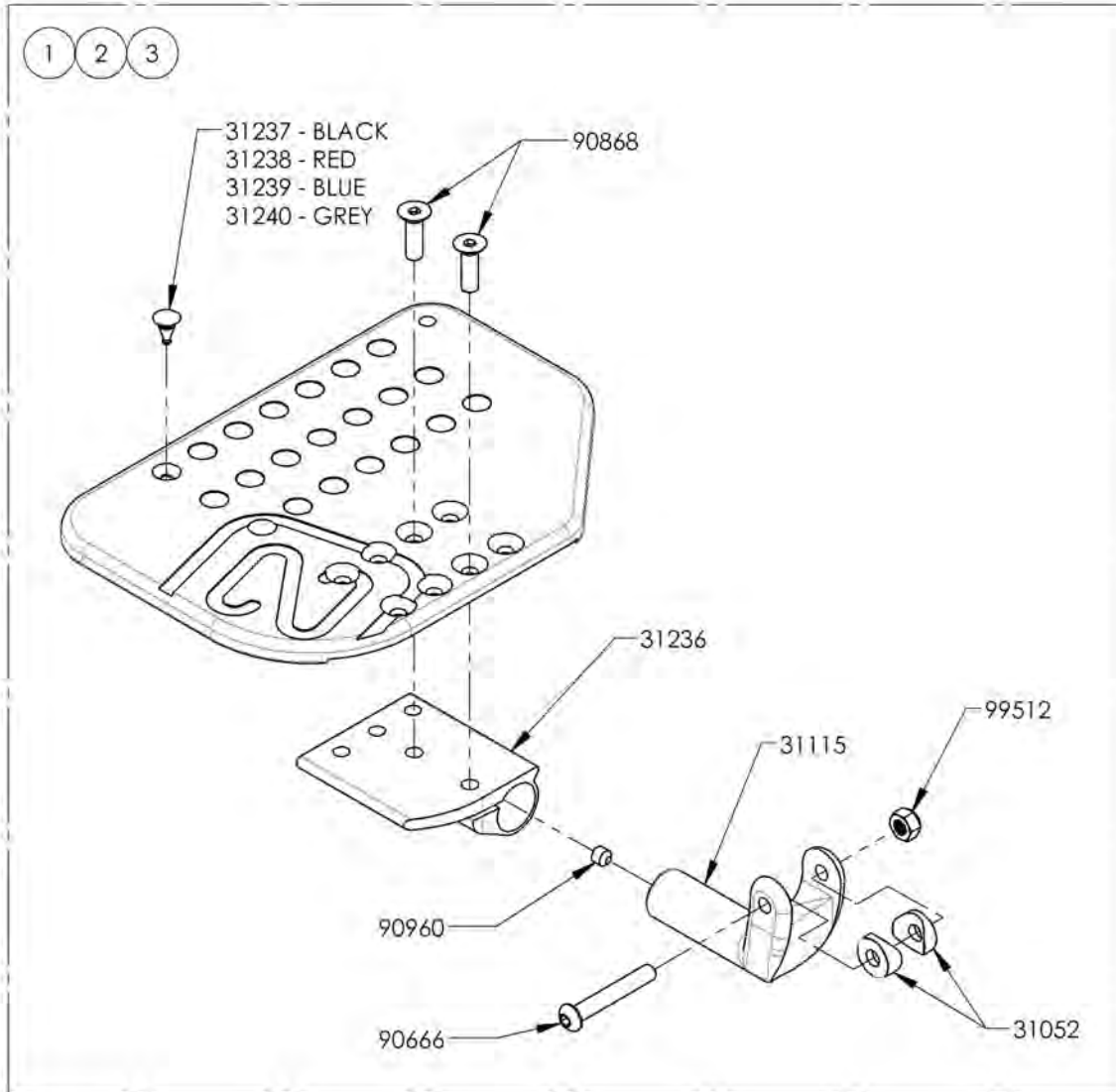


**9001435**

Footplate - Plastic, Newton Angle Adjustable, Left, 7½ x 8 in (Wheelchair Width: 19 in+)



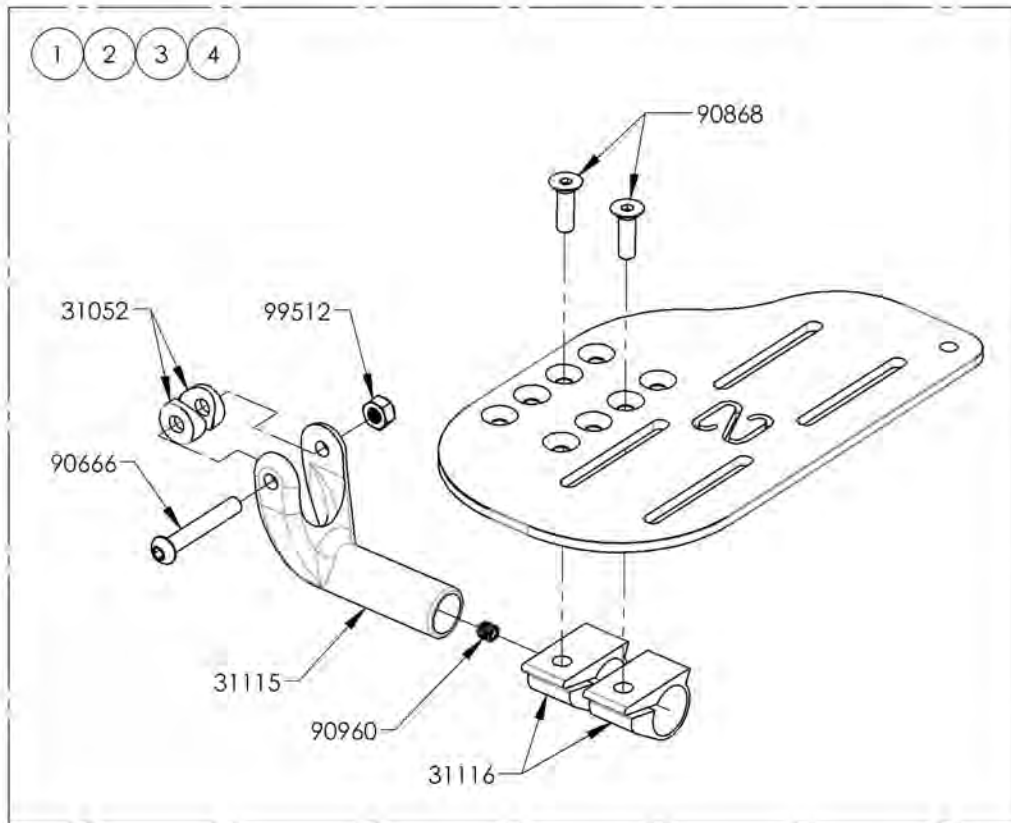
MAKE SURE TO HAVE YOUR SERIAL NUMBER NEARBY WHEN ORDERING PARTS FOR YOUR MOTION COMPOSITES WHEELCHAIR



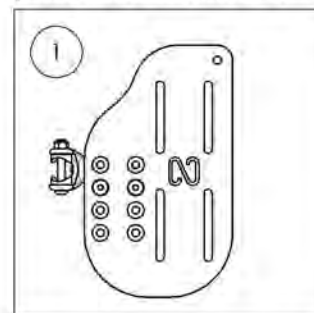
**9001363\_9001366**

**Footplate - Aluminium, Newton Angle Adjustable, Right, 8 in Depth**

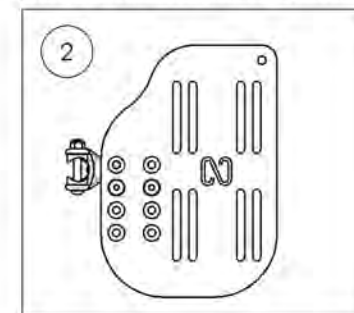
ITEM NO.	PARTNO	DESCRIPTION	9001363 /QTY.	9001364 /QTY.	9001365 /QTY.	9001366 /QTY.
1	31595	ADJUSTABLE NEWTON ALU FOOTPLATE 4.5 x 8 in, RIGHT (WC WIDTH 12-13 in) - ASSEMBLY	1	-	-	-
2	31597	ADJUSTABLE NEWTON ALU FOOTPLATE 5.5 x 8 in, RIGHT (WC WIDTH 14-16 in) - ASSEMBLY	-	1	-	-
3	31599	ADJUSTABLE NEWTON ALU FOOTPLATE 6.5 x 8 in, RIGHT (WC WIDTH 17-18 in) - ASSEMBLY	-	-	1	-
4	31601	ADJUSTABLE NEWTON ALU FOOTPLATE 7.5 x 8 in, RIGHT (WC WIDTH 19 in+) - ASSEMBLY	-	-	-	1



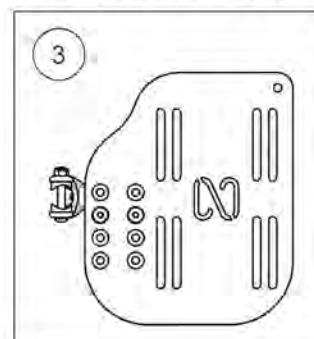
9001363  
Footplate - Aluminium, Newton  
Angle Adjustable, Right, 4½ x 8 in  
(Wheelchair Width: 12 to 13 in)



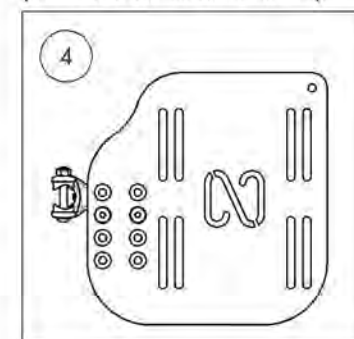
9001364  
Footplate - Aluminium, Newton  
Angle Adjustable, Right, 5½ x 8 in  
(Wheelchair Width: 14 to 16 in)



9001365  
Footplate - Aluminium, Newton  
Angle Adjustable, Right, 6½ x 8 in  
(Wheelchair Width: 17 to 18 in)



9001366  
Footplate - Aluminium, Newton  
Angle Adjustable, Right, 7½ x 8 in  
(Wheelchair Width: 19 in+)

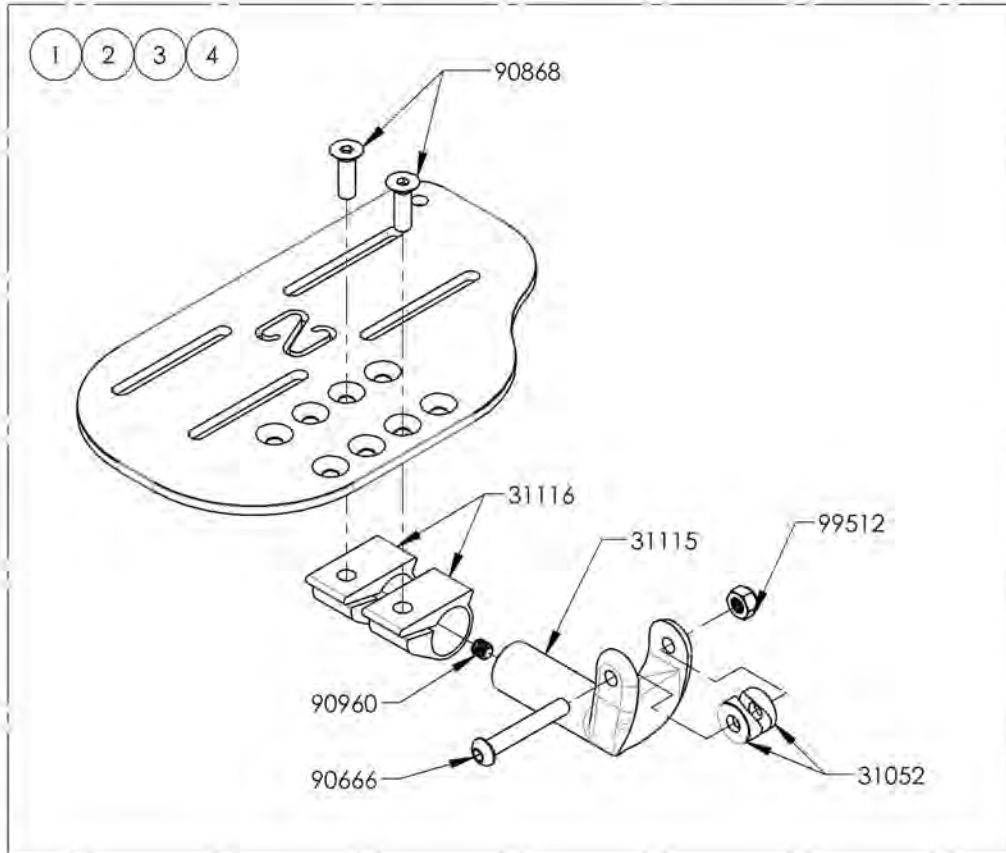


MAKE SURE TO HAVE YOUR SERIAL NUMBER  
NEARBY WHEN ORDERING PARTS FOR YOUR  
MOTION COMPOSITES WHEELCHAIR

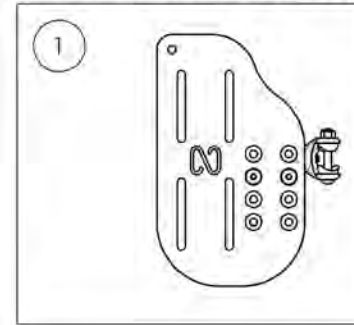
**9001367\_9001370**

**Footplate - Aluminium, Newton Angle Adjustable, Left, 8 in Depth**

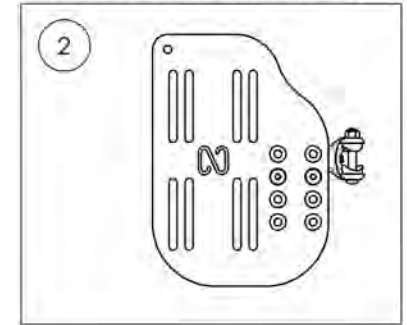
ITEM NO.	PARTNO	DESCRIPTION	9001367 /QTY.	9001368 /QTY.	9001369 /QTY.	9001370 /QTY.
1	31596	ADJUSTABLE NEWTON ALU FOOTPLATE 4,5 x 8 in, LEFT (WC WIDTH 12-13 in) - ASSEMBLY	1	-	-	-
2	31598	ADJUSTABLE NEWTON ALU FOOTPLATE 5,5 x 8 in, LEFT (WC WIDTH 14-16 in) - ASSEMBLY	-	1	-	-
3	31600	ADJUSTABLE NEWTON ALU FOOTPLATE 6,5 x 8 in, LEFT (WC WIDTH 17-18 in) - ASSEMBLY	-	-	1	-
4	31602	ADJUSTABLE NEWTON ALU FOOTPLATE 7,5 x 8 in, LEFT (WC WIDTH 19 in +) - ASSEMBLY	-	-	-	1



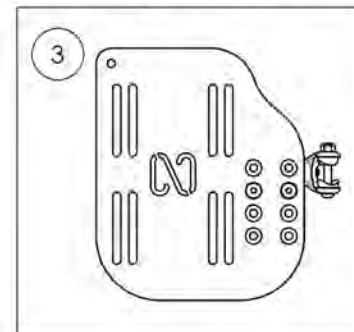
**9001367**  
Footplate - Aluminium, Newton Angle Adjustable, Left, 4½ x 8 in (Wheelchair Width: 12 to 13 in)



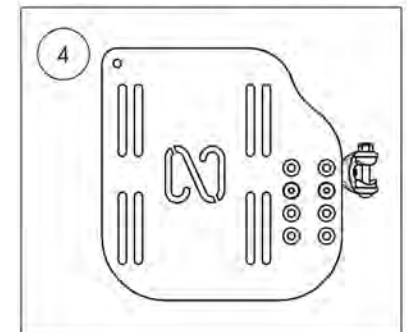
**9001368**  
Footplate - Aluminium, Newton Angle Adjustable, Left, 5½ x 8 in (Wheelchair Width: 14 to 16 in)



**9001369**  
Footplate - Aluminium, Newton Angle Adjustable, Left, 6½ x 8 in (Wheelchair Width: 17 to 18 in)



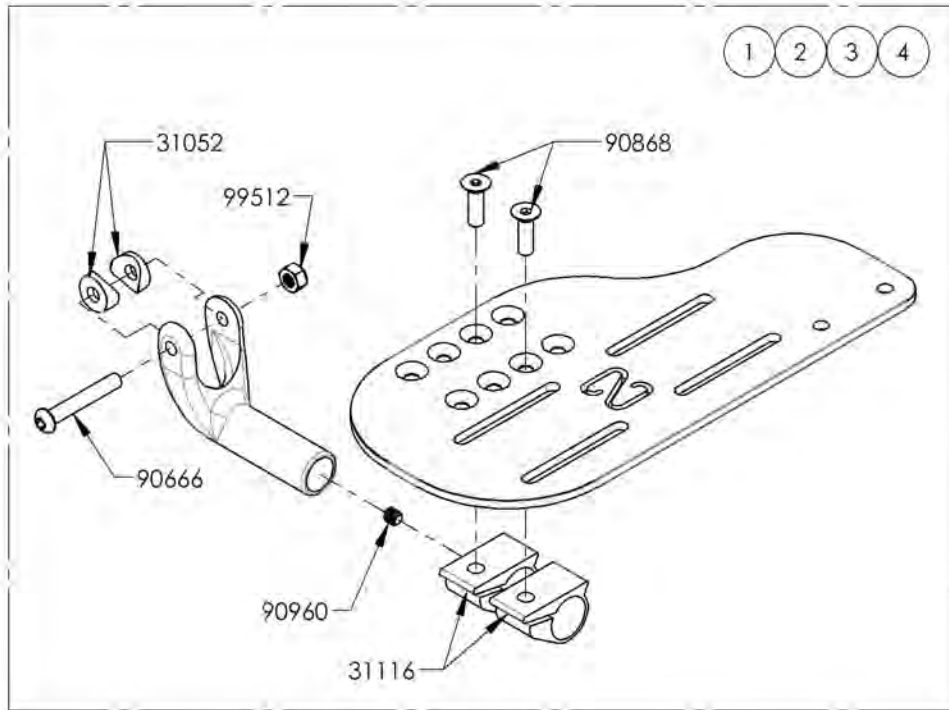
**9001370**  
Footplate - Aluminium, Newton Angle Adjustable, Left, 7½ x 8 in (Wheelchair Width: 19 in +)



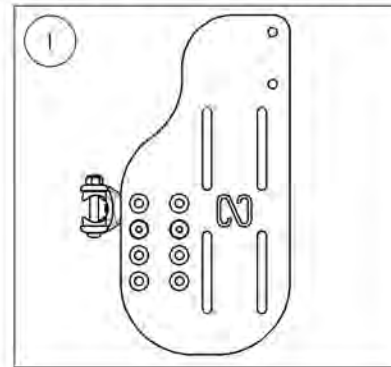
MAKE SURE TO HAVE YOUR SERIAL NUMBER NEARBY WHEN ORDERING PARTS FOR YOUR MOTION COMPOSITES WHEELCHAIR

**9001398\_9001399 & 9002869\_9002870**  
**Footplate - Aluminium, Newton Angle Adjustable, Right, 9½ in Depth**

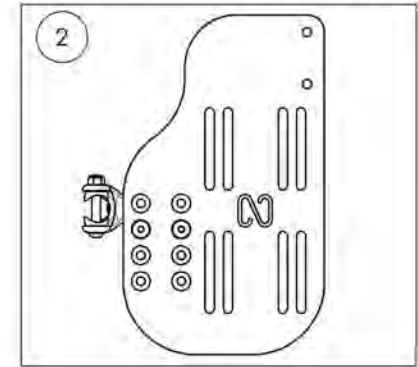
ITEM NO.	PARTNO	DESCRIPTION	9001398 /QTY.	9001399 /QTY.	9002869 /QTY.	9002870 /QTY.
1	31603	ADJUSTABLE NEWTON ALU FOOTPLATE 4.5 x 9.5 in, RIGHT (WHEELCHAIR WIDTH 12-13 in) - ASSEMBLY	1	-	-	-
2	31605	ADJUSTABLE NEWTON ALU FOOTPLATE 5.5 x 9.5 in, RIGHT (WHEELCHAIR WIDTH 14-16 in) - ASSEMBLY	-	1	-	-
3	31630	ADJUSTABLE NEWTON ALU FOOTPLATE 6.5 x 9.5 in, RIGHT (WHEELCHAIR WIDTH 17-18 in) - ASSEMBLY	-	-	1	-
4	31632	ADJUSTABLE NEWTON ALU FOOTPLATE 7.5 x 9.5 in, RIGHT (WHEELCHAIR WIDTH 19 in+) - ASSEMBLY	-	-	-	1



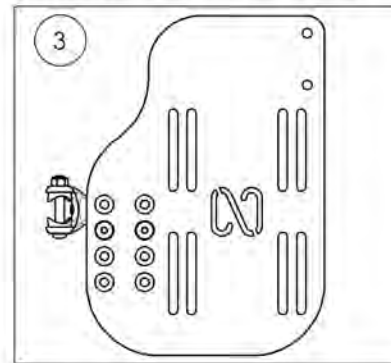
9001398  
 Footplate - Aluminium, Newton  
 Angle Adjustable, Right, 4½ x 9½ in  
 (Wheelchair Width: 12 to 13 in)



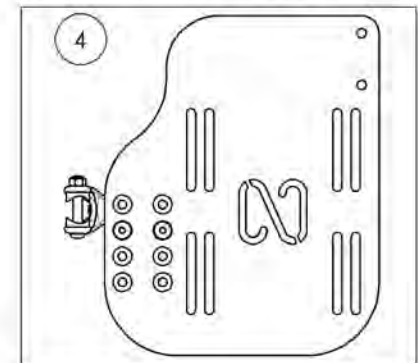
9001399  
 Footplate - Aluminium, Newton  
 Angle Adjustable, Right, 5½ x 9½ in  
 (Wheelchair Width: 14 to 16 in)



9002869  
 Footplate - Aluminium, Newton  
 Angle Adjustable, Right, 6½ x 9½ in  
 (Wheelchair Width: 17 to 18 in)



9002870  
 Footplate - Aluminium, Newton  
 Angle Adjustable, Right, 7½ x 9½ in  
 (Wheelchair Width: 19 in+)

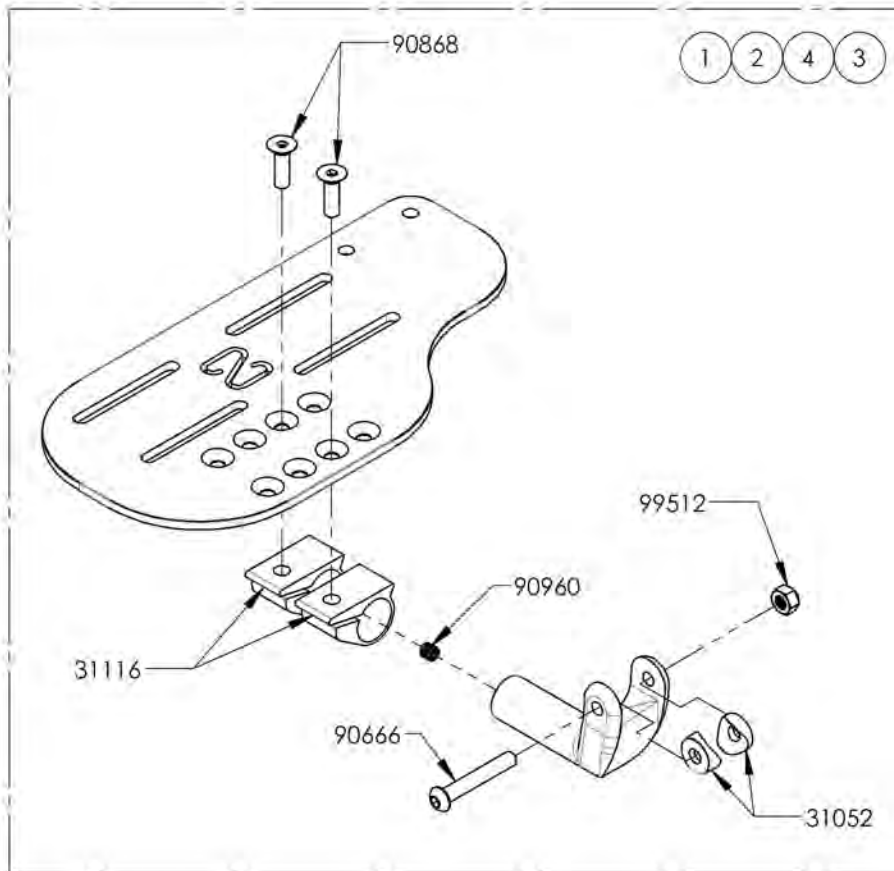


MAKE SURE TO HAVE YOUR SERIAL NUMBER  
 NEARBY WHEN ORDERING PARTS FOR YOUR  
 MOTION COMPOSITES WHEELCHAIR

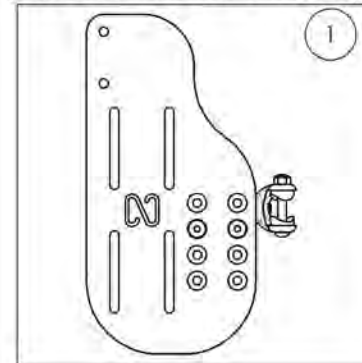


**9001400\_9001401 & 9002871\_9002872**  
**Footplate - Aluminium, Newton Angle Adjustable, Left, 9½ in Depth**

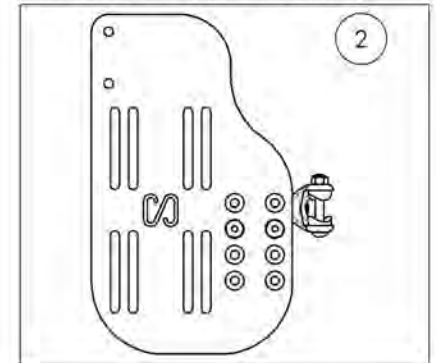
ITEM NO.	PARTNO	DESCRIPTION	9001400 /QTY.	9001401 /QTY.	9002871 /QTY.	9002872 /QTY.
1	31604	ADJUSTABLE NEWTON ALU FOOTPLATE 4,5 x 9,5 in, LEFT (WHEELCHAIR WIDTH 12-13 in) - ASSEMBLY	1	-	-	-
2	31606	ADJUSTABLE NEWTON ALU FOOTPLATE 5,5 x 9,5 in, LEFT (WHEELCHAIR WIDTH 14-16 in) - ASSEMBLY	-	1	-	-
3	31631	ADJUSTABLE NEWTON ALU FOOTPLATE 6,5 x 9,5 in, LEFT (WHEELCHAIR WIDTH 17-18 in) - ASSEMBLY	-	-	1	-
4	31633	ADJUSTABLE NEWTON ALU FOOTPLATE 7,5 x 9,5 in, LEFT (WHEELCHAIR WIDTH 19 in +) - ASSEMBLY	-	-	-	1



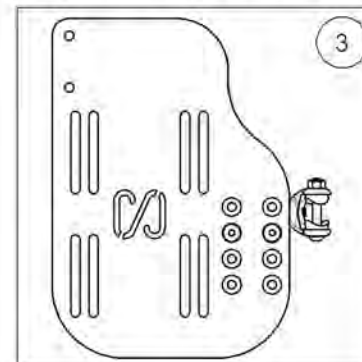
9001400  
 Footplate - Aluminium, Newton Angle Adjustable, Left, 4½ x 9½ in (Wheelchair Width: 12 to 13 in)



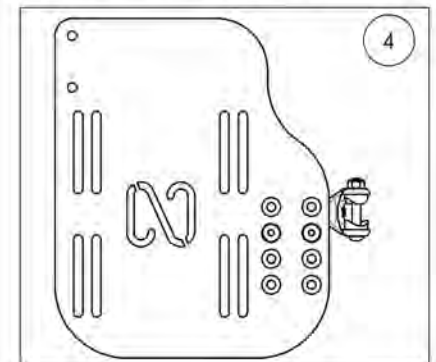
9001401  
 Footplate - Aluminium, Newton Angle Adjustable, Left, 5½ x 9½ in (Wheelchair Width: 14 to 16 in)



9002871  
 Footplate - Aluminium, Newton Angle Adjustable, Left, 6½ x 9½ in (Wheelchair Width: 17 to 18 in)



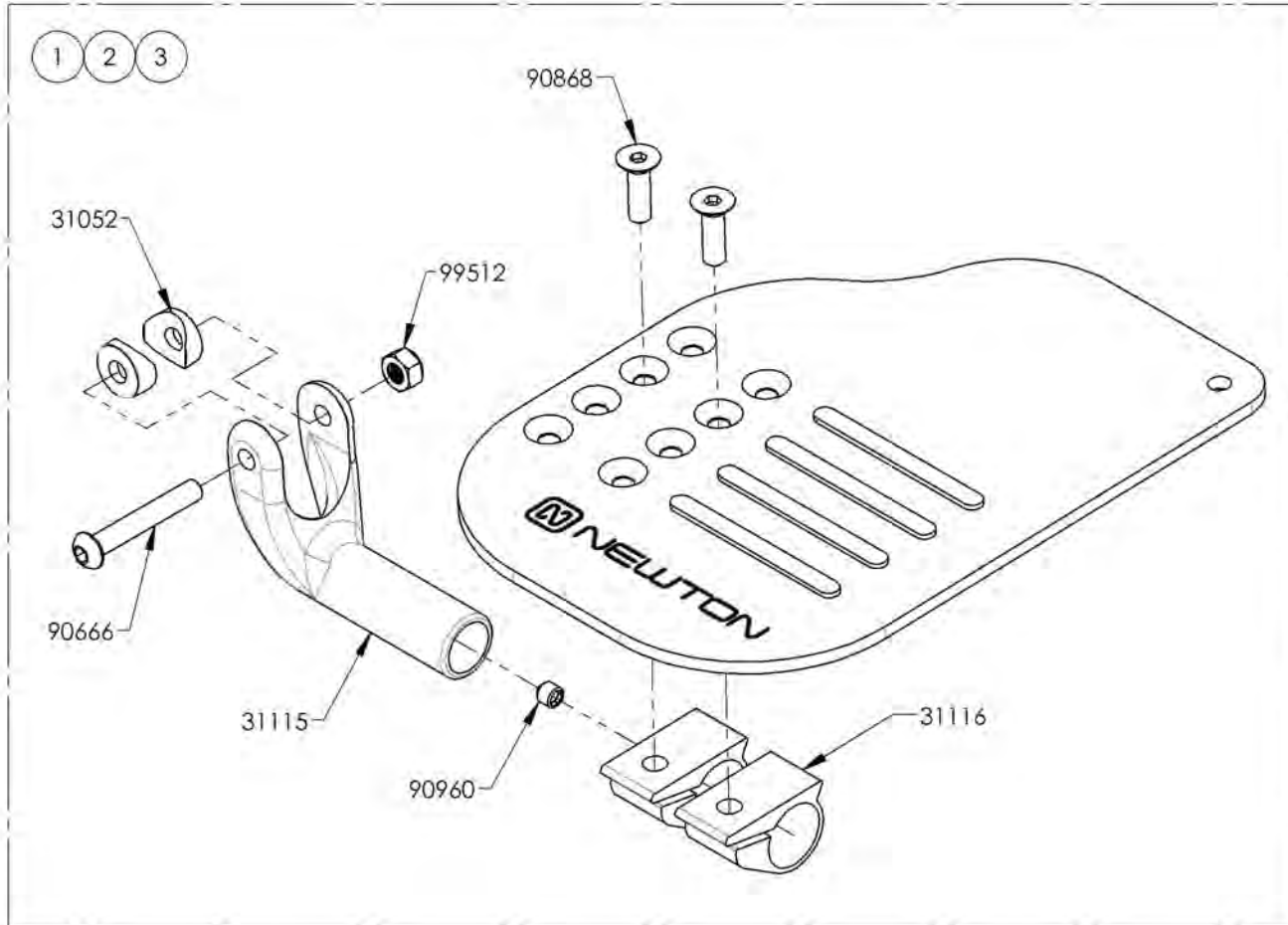
9002872  
 Footplate - Aluminium, Newton Angle Adjustable, Left, 7½ x 9½ in (Wheelchair Width: 19 in +)



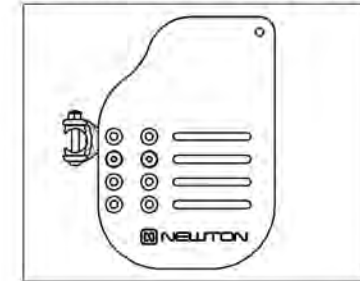
MAKE SURE TO HAVE YOUR SERIAL NUMBER NEARBY WHEN ORDERING PARTS FOR YOUR MOTION COMPOSITES WHEELCHAIR

**9001384\_9001386**  
**Footplate - Carbon Fiber, Angle Adjustable, Right, 8 in Depth**

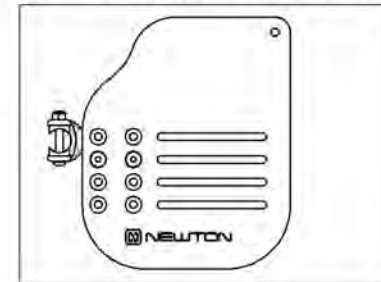
ITEM NO.	PARTNO	DESCRIPTION	9001384 /QTY.	9001385 /QTY.	9001386 /QTY.
1	31607	ADJUSTABLE NEWTON CARBON FOOTPLATE 5.5 x 8 in, RIGHT (WHEELCHAIR WIDTH 14-16 in) - ASSEMBLY	1	-	-
2	31609	ADJUSTABLE NEWTON CARBON FOOTPLATE 6.5 x 8 in, RIGHT (WHEELCHAIR WIDTH 17-18 in) - ASSEMBLY	-	1	-
3	31611	ADJUSTABLE NEWTON CARBON FOOTPLATE 7.5 x 8 in, RIGHT (WHEELCHAIR WIDTH 19 in+) - ASSEMBLY	-	-	1



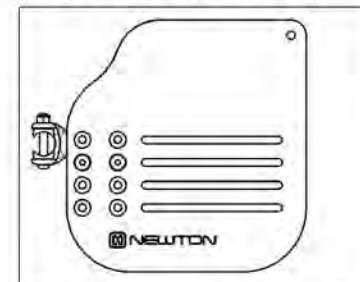
9001384  
 Footplate - Carbon Fiber, Angle Adjustable, Right, 5½ x 8 in (Wheelchair Width: 14 to 16 in)



9001385  
 Footplate - Carbon Fiber, Angle Adjustable, Right, 6½ x 8 in (Wheelchair Width: 17 to 18 in)



9001386  
 Footplate - Carbon Fiber, Angle Adjustable, Right, 7½ x 8 in (Wheelchair Width: 19 in+)



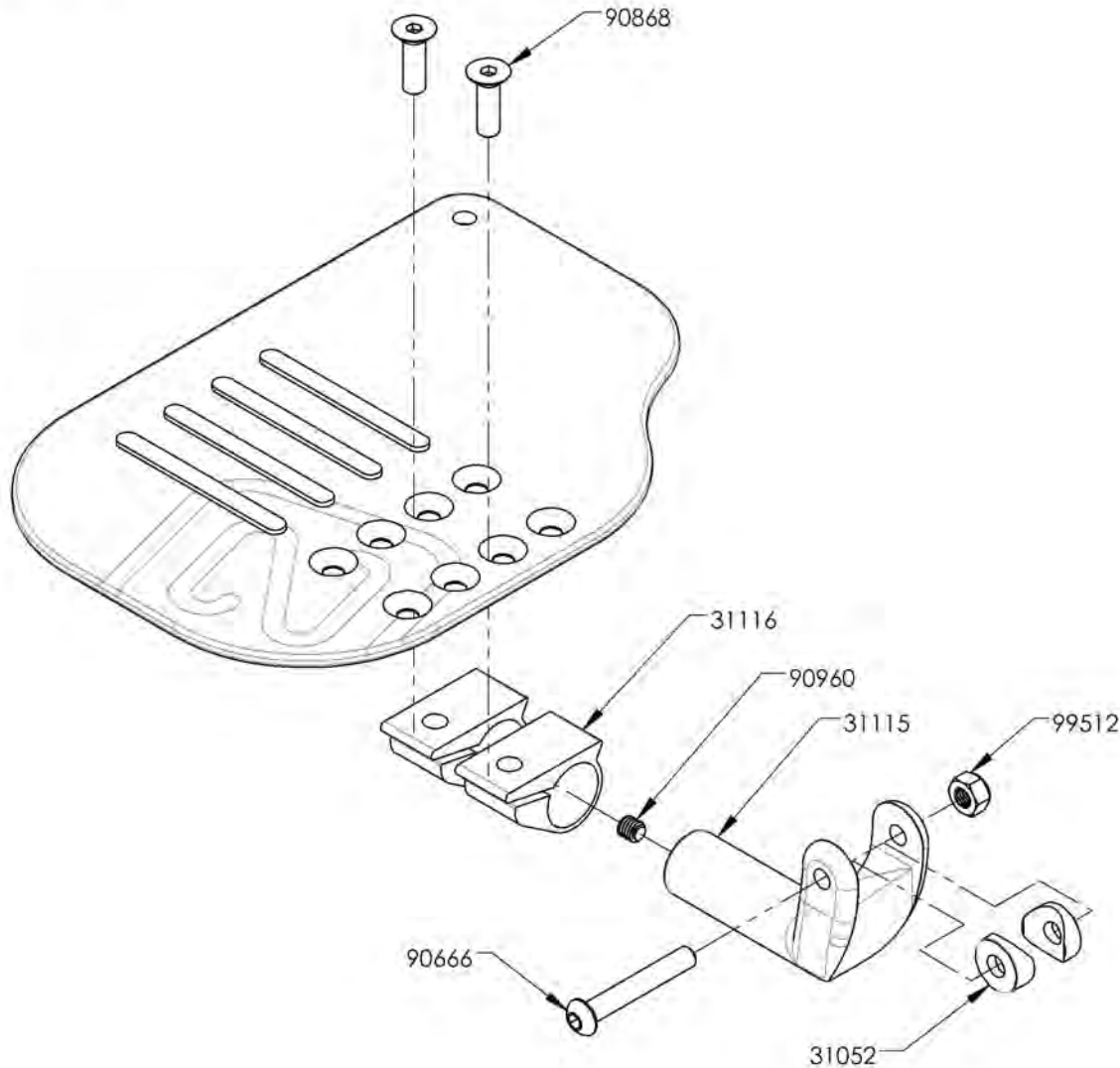
MAKE SURE TO HAVE YOUR SERIAL NUMBER NEARBY WHEN ORDERING PARTS FOR YOUR MOTION COMPOSITES WHEELCHAIR

**9001387\_9001389**

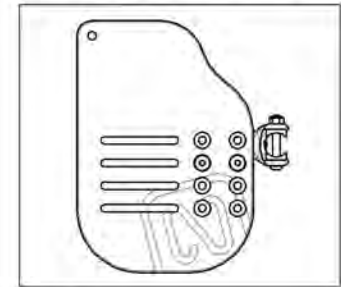
**Footplate - Carbon Fiber, Angle adjustable, Left, 8 in Depth**

ITEM NO.	PARTNO	DESCRIPTION	9001387 /QTY.	9001388 /QTY.	9001389 /QTY.
1	31608	ADJUSTABLE NEWTON CARBON FOOTPLATE 5.5 x 8 in, LEFT (WHEELCHAIR WIDTH 14-16 in) - ASSEMBLY	1	-	-
2	31610	ADJUSTABLE NEWTON CARBON FOOTPLATE 6.5 x 8 in, LEFT (WHEELCHAIR WIDTH 17-18 in) - ASSEMBLY	-	1	-
3	31612	ADJUSTABLE NEWTON CARBON FOOTPLATE 7.5 x 8 in, LEFT (WHEELCHAIR WIDTH 19 in+) - ASSEMBLY	-	-	1

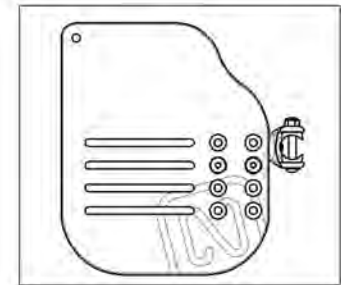
1 2 3



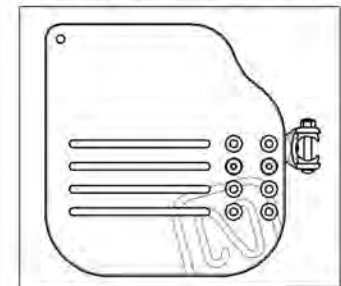
**9001387**  
Footplate - Carbon Fiber, Angle Adjustable, Left, 5½ x 8 in (Wheelchair Width: 14 to 16 in)



**9001388**  
Footplate - Carbon Fiber, Angle Adjustable, Left, 6½ x 8 in (Wheelchair Width: 17 to 18 in)



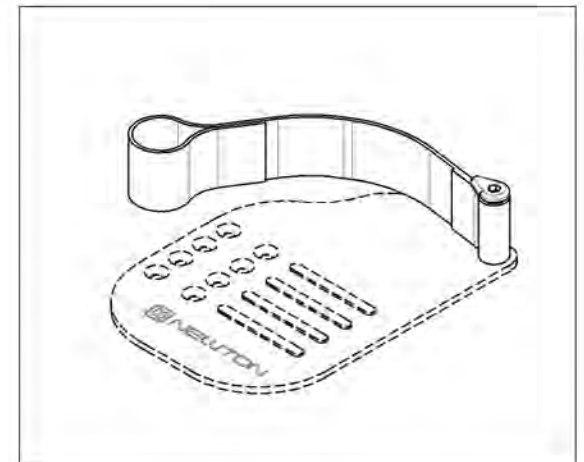
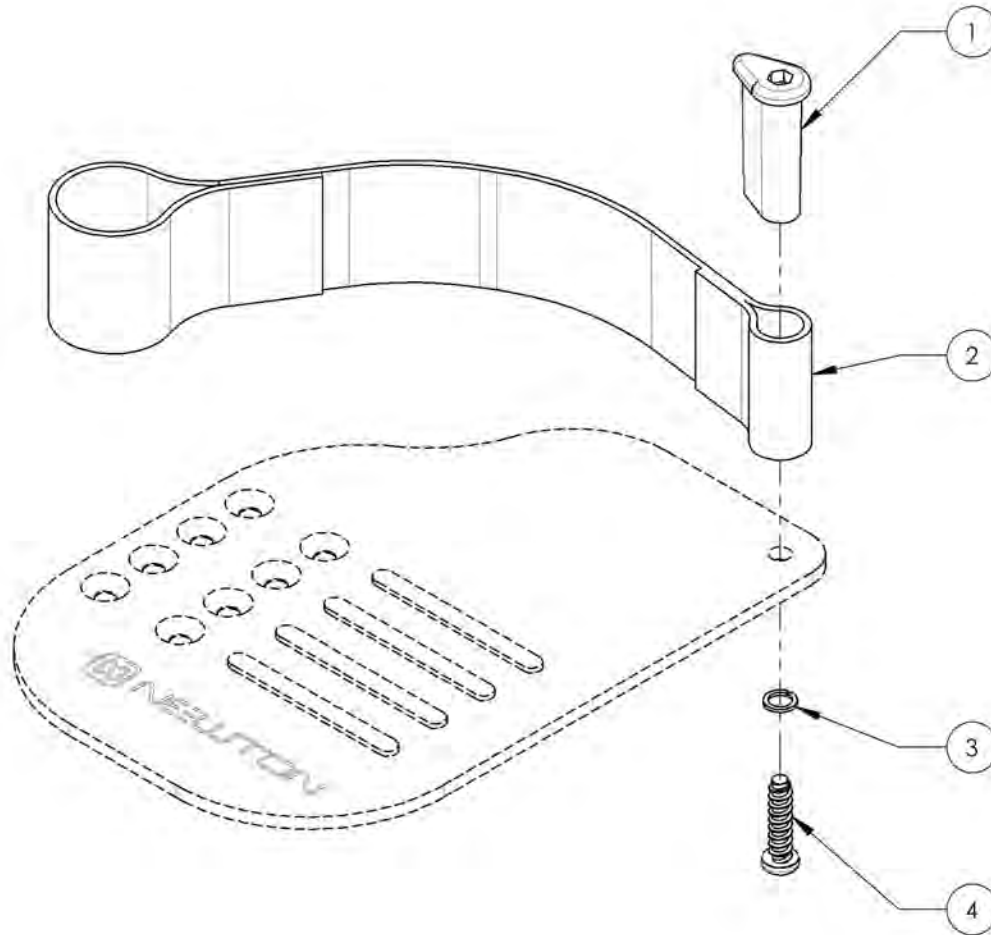
**9001389**  
Footplate - Carbon Fiber, Angle Adjustable, Left, 7½ x 8 in (Wheelchair Width: 19 in+)



MAKE SURE TO HAVE YOUR SERIAL NUMBER NEARBY WHEN ORDERING PARTS FOR YOUR MOTION COMPOSITES WHEELCHAIR

**9001411**  
**Heel Loop - Length Adjustable**

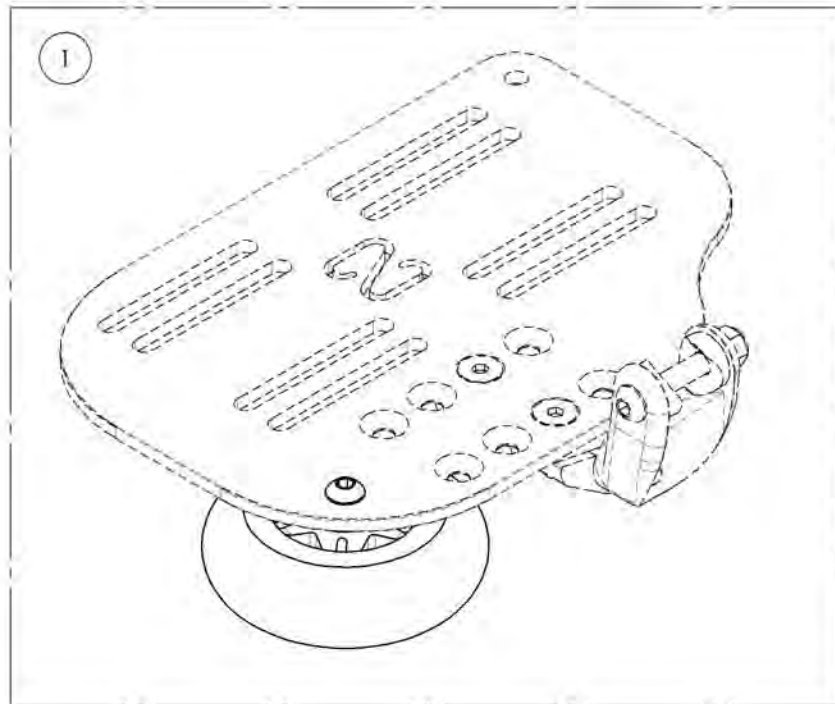
ITEM NO.	PARTNO	DESCRIPTION	9001411 /QTY.
1	31016	HEEL LOOP PIN (M)	1
2	31045	ADJUSTABLE HEEL LOOP	1
3	99559	COLLAR LOCKWASHER 1_4	1
4	91024	LOW PROFIL CAP SCREW M6 X 2.54 X 25mm	1



MAKE SURE TO HAVE YOUR SERIAL NUMBER  
 NEARBY WHEN ORDERING PARTS FOR YOUR  
 MOTION COMPOSITES WHEELCHAIR

**Footrests Catalogue**  
**Roller Bumper**

ITEM NO.	PARTNO	DESCRIPTION	QTY
1	9001753	Bumper - Roller Bumper, Front	1

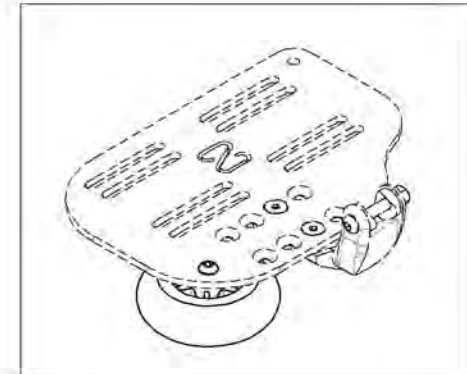
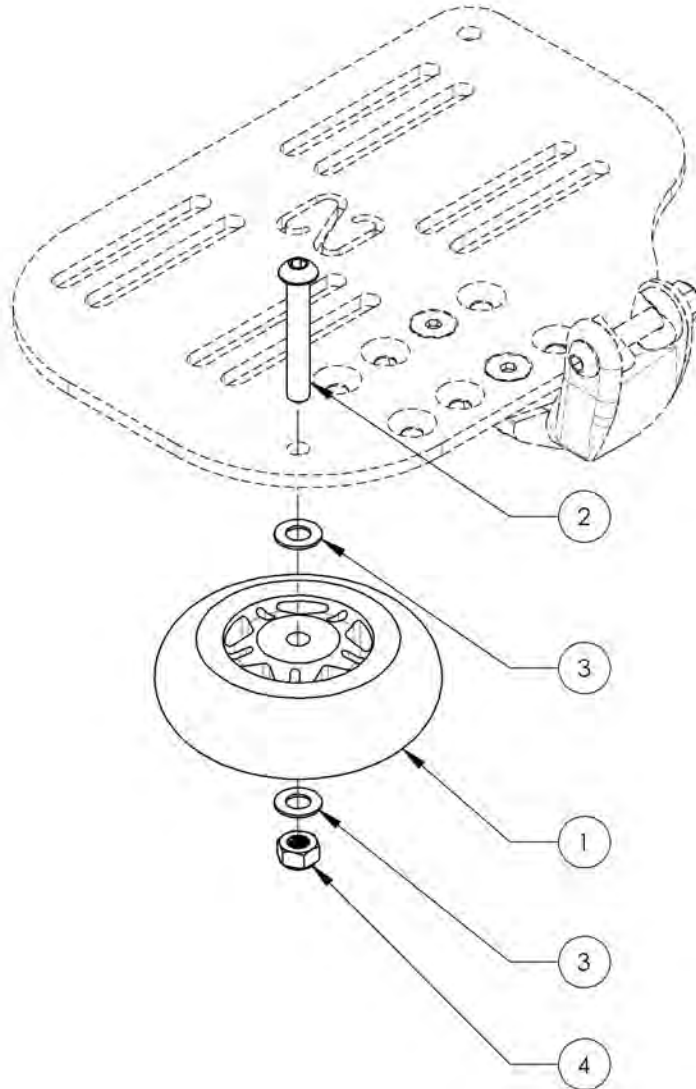


MAKE SURE TO HAVE YOUR SERIAL NUMBER  
NEARBY WHEN ORDERING PARTS FOR YOUR  
MOTION COMPOSITES WHEELCHAIR



**9001753**  
**Bumper - Roller Bumper, Front**

ITEM NO.	PARTNO	DESCRIPTION	9001753 /QTY.
1	22016	3' x 1" STANDARD CASTER	1
2	90666	BUTTON HEAD CAP SCREW M6X1 X 40mm LONG, 24mm THREADED + BLUE THREADLOCKER - BLACK ZINC	1
3	99560	WASHER 1/4 17/64 ID X 1/2 OD X .032 THK	2
4	99512	M6 LOW NYLON LOCK	1

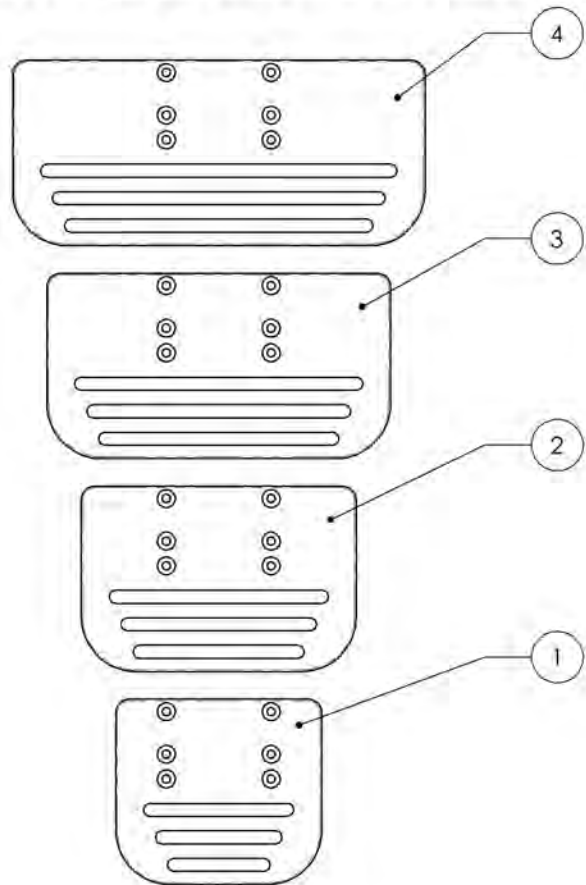


MAKE SURE TO HAVE YOUR SERIAL NUMBER  
 NEARBY WHEN ORDERING PARTS FOR YOUR  
 MOTION COMPOSITES WHEELCHAIR

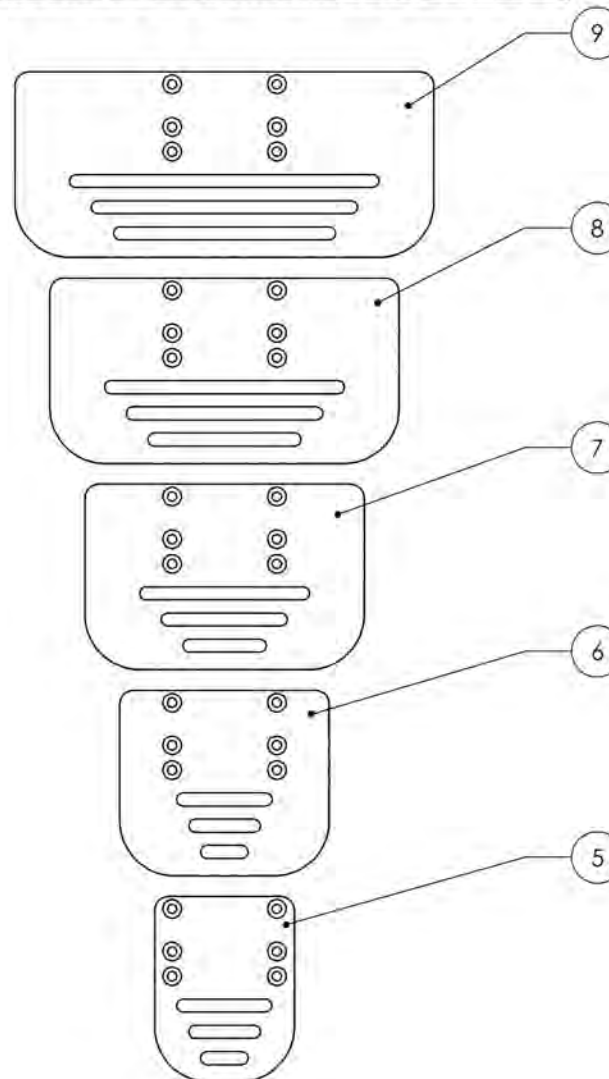
**Footrests Catalogue**  
**One Piece Footplates**

ITEM NO.	PARTNO	DESCRIPTION	QTY.
1	9007665	Footplate - Carbon, One Piece, 6 x 5½ in (Wheelchair Width: 14 to 16 in)	1
2	9007666	Footplate - Carbon, One Piece, 8 x 5½ in (Wheelchair Width: 17 to 18 in)	1
3	9007667	Footplate - Carbon, One Piece, 10 x 5½ in (Wheelchair Width: 19 to 22 in)	1
4	9007668	Footplate - Carbon, One Piece, 12 x 5½ in (Wheelchair Width: 19 to 22 in)	1
5	9007660	Footplate - Aluminum, One Piece, 4 x 5½ in (For Special Config Only)	1
6	9007661	Footplate - Aluminum, One Piece, 6 x 5½ in (Wheelchair Width: 14 to 16 in)	1
7	9007662	Footplate - Aluminum, One Piece, 8 x 5½ in (Wheelchair Width: 17 to 18 in)	1
8	9007663	Footplate - Aluminum, One Piece, 10 x 5½ in (Wheelchair Width: 19 to 22 in)	1
9	9007664	Footplate - Aluminum, One Piece, 12 x 5½ in (Wheelchair Width: 12 to 13 in)	1

**ONE PIECE CARBON FOOTPLATES**

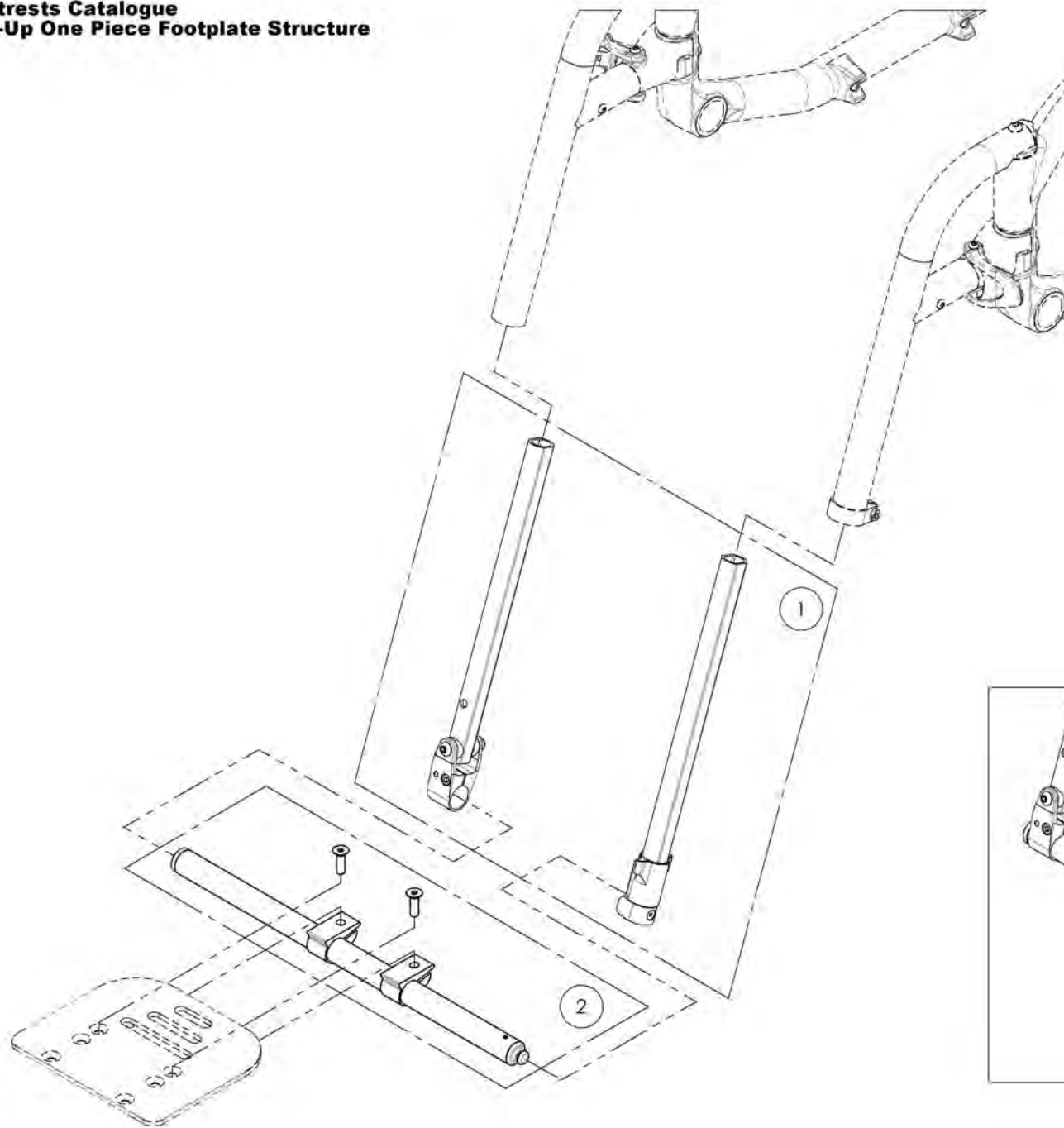


**ONE PIECE ALUMINUM FOOTPLATES**

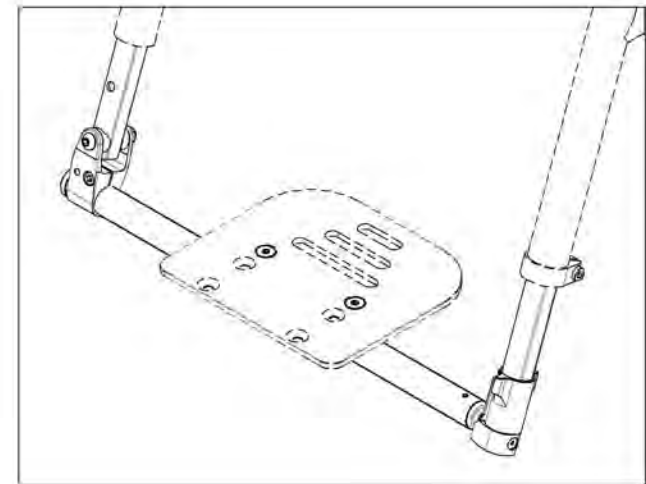


MAKE SURE TO HAVE YOUR SERIAL NUMBER  
 NEARBY WHEN ORDERING PARTS FOR YOUR  
 MOTION COMPOSITES WHEELCHAIR

**Footrests Catalogue**  
**Flip-Up One Piece Footplate Structure**



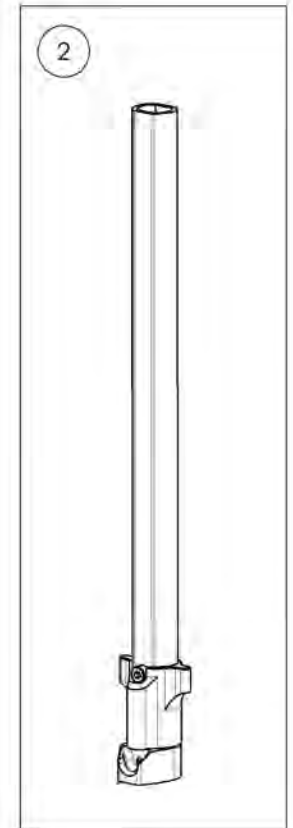
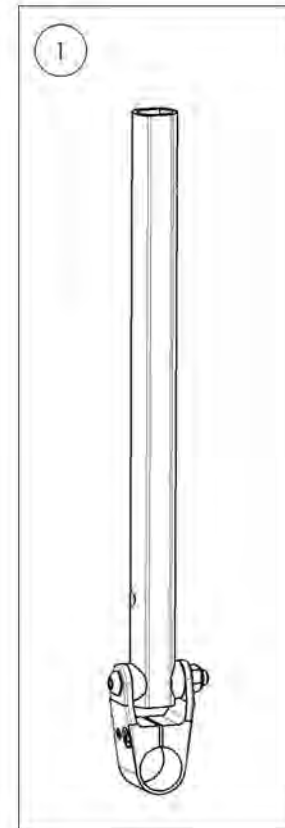
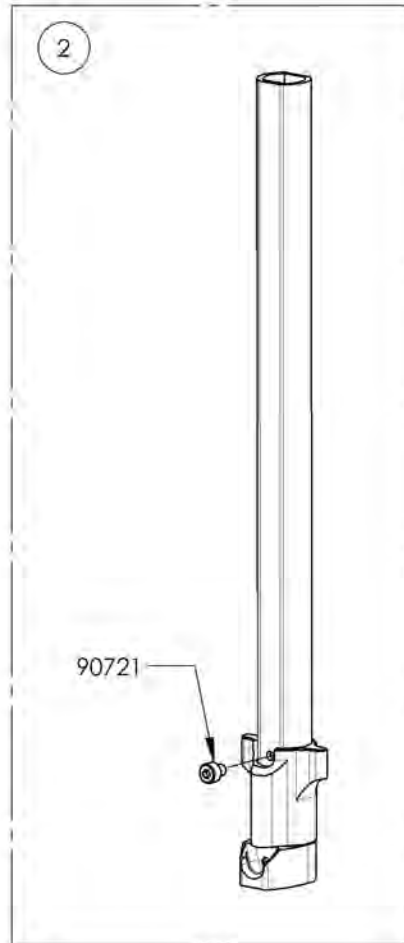
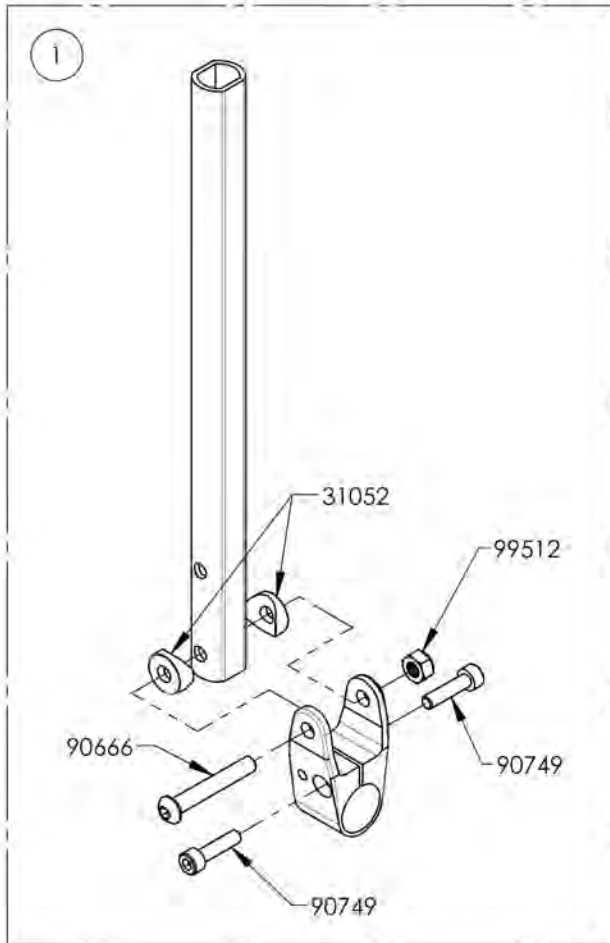
ITEM NO.	PARTNO	DESCRIPTION	QTY
1	9001380	Extension - Flip-Up One Piece Footplate	1
2	9007669	Base Tube - Flip-up One Piece Footplate	1



MAKE SURE TO HAVE YOUR SERIAL NUMBER  
 NEARBY WHEN ORDERING PARTS FOR YOUR  
 MOTION COMPOSITES WHEELCHAIR

**9001380**  
**Extension - Flip-Up One Piece Footplate**

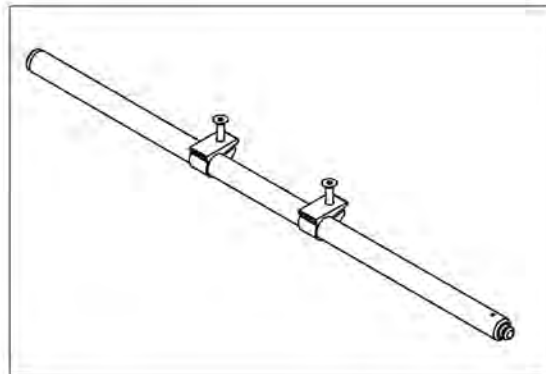
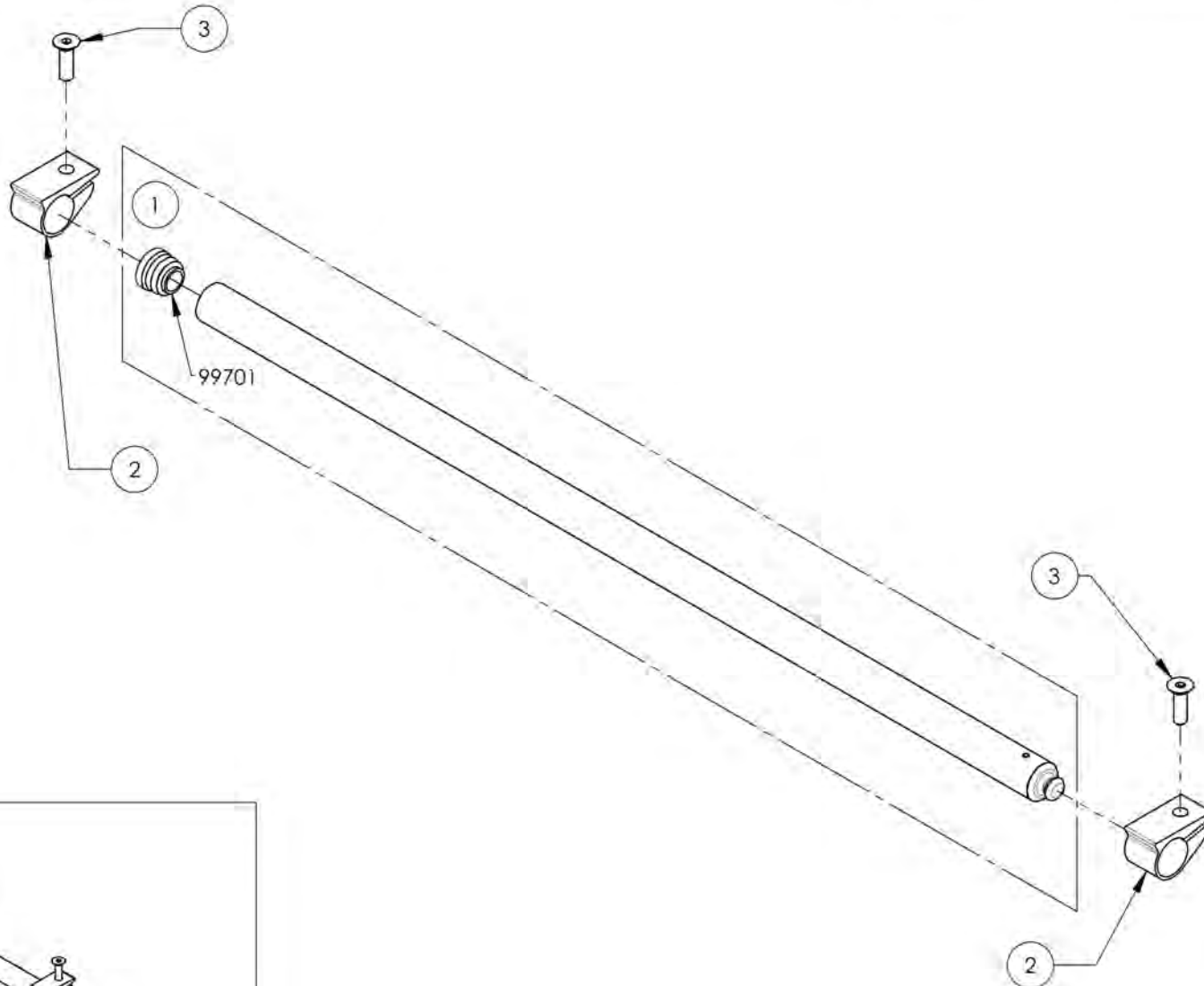
ITEM NO.	PARTNO	DESCRIPTION	9001380 /QTY.
1	31570	V2 PF PIVOT SIDE LONG EXTENSION TUBE - ASSEMBLY	1
2	31571	V2 PF ANCHOR SIDE LONG EXTENSION TUBE - ASSEMBLY	1



MAKE SURE TO HAVE YOUR SERIAL NUMBER  
 NEARBY WHEN ORDERING PARTS FOR YOUR  
 MOTION COMPOSITES WHEELCHAIR

**9007669**  
**Base Tube - Flip-up One Piece Footplate**

ITEM NO.	PARTNO	DESCRIPTION	9007669 /QTY.
1	31561	V2 20-1_2" PF MAIN TUBE - ASSEMBLY	1
2	31116	ANGLE ADJUSTABLE FOOTPLATE CLAMP	2
3	90868	FLAT HEAD CAP SCREW M6X1 X 20mm LONG, FULLY THREADED + BLUE THREADLOCKER - BLACK ZINC	2



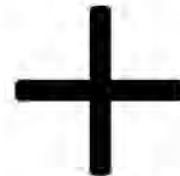
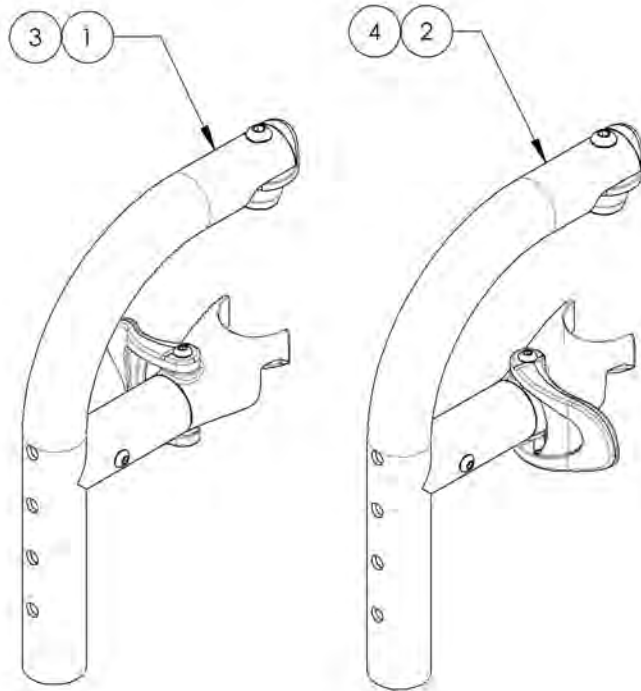
MAKE SURE TO HAVE YOUR SERIAL NUMBER  
 NEARBY WHEN ORDERING PARTS FOR YOUR  
 MOTION COMPOSITES WHEELCHAIR



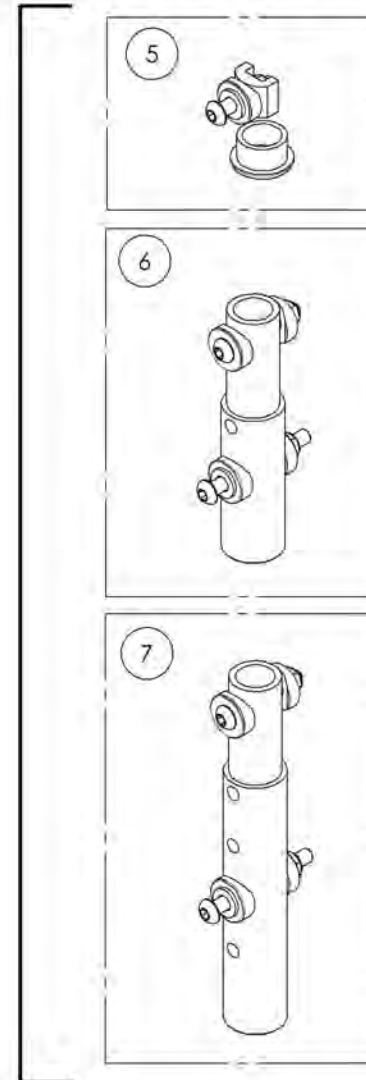
**Footrests Catalogue**  
**Front Mount Footrests**

ITEM NO.	PARTNO	DESCRIPTION	QTY.
1	9001343	Footrest - Swing-In/Swing-Out, Front Mount, Right, 90° - Black	1
2	9001344	Footrest - Swing-In/Swing-Out, Front Mount, Left, 90° - Black	1
3	9001345	Footrest - Swing-In/Swing-Out, Front Mount, Right, 90° (Specify Color)	1
4	9001346	Footrest - Swing-In/Swing-Out, Front Mount, Left, 90° (Specify Color)	1
5	9001347	Footrest - No Extension, Front Mount, 90° (7½ - 11 in) (19 - 28 cm)	1
6	9001348	Footrest - Extension, Front Mount, 90° (9½ - 13 in) (24 - 33 cm)	1
7	9001349	Footrest - Extension, Front Mount, 90° (9½ - 14½ in) (24 - 36,8 cm)	1

**FRONT MOUNT STRUCTURES**



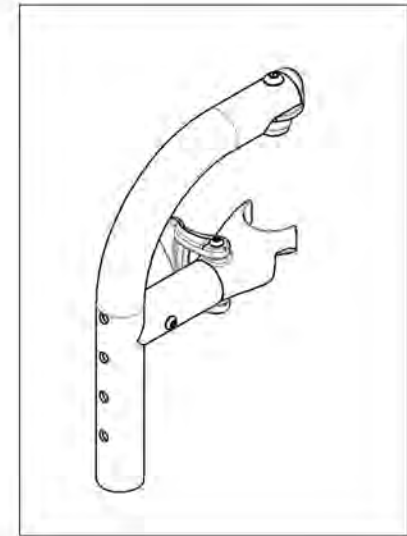
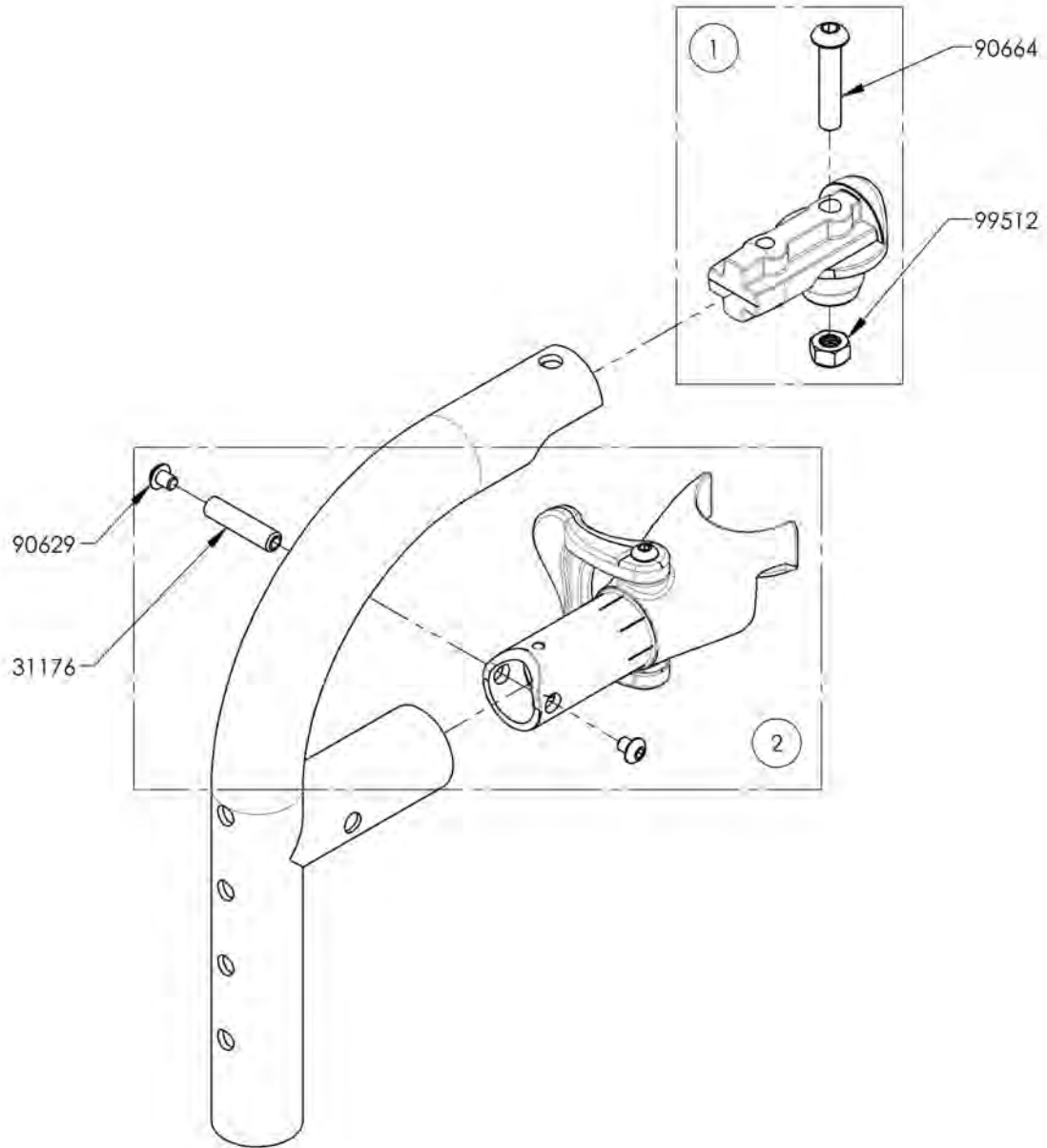
**FRONT MOUNT EXTENSION OPTIONS**



MAKE SURE TO HAVE YOUR SERIAL NUMBER  
 NEARBY WHEN ORDERING PARTS FOR YOUR  
 MOTION COMPOSITES WHEELCHAIR

**9001343**  
**Footrest - Swing-In/Swing-Out, Front Mount, Right, 90° - Black**

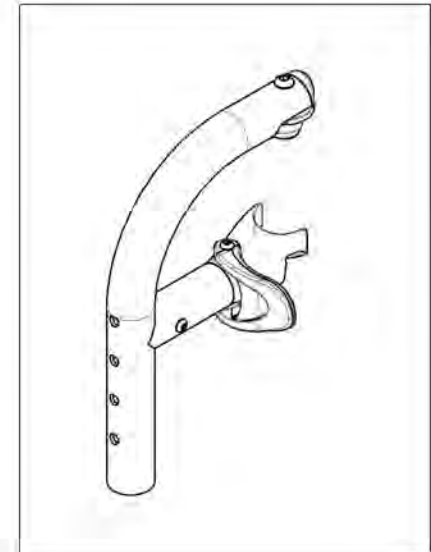
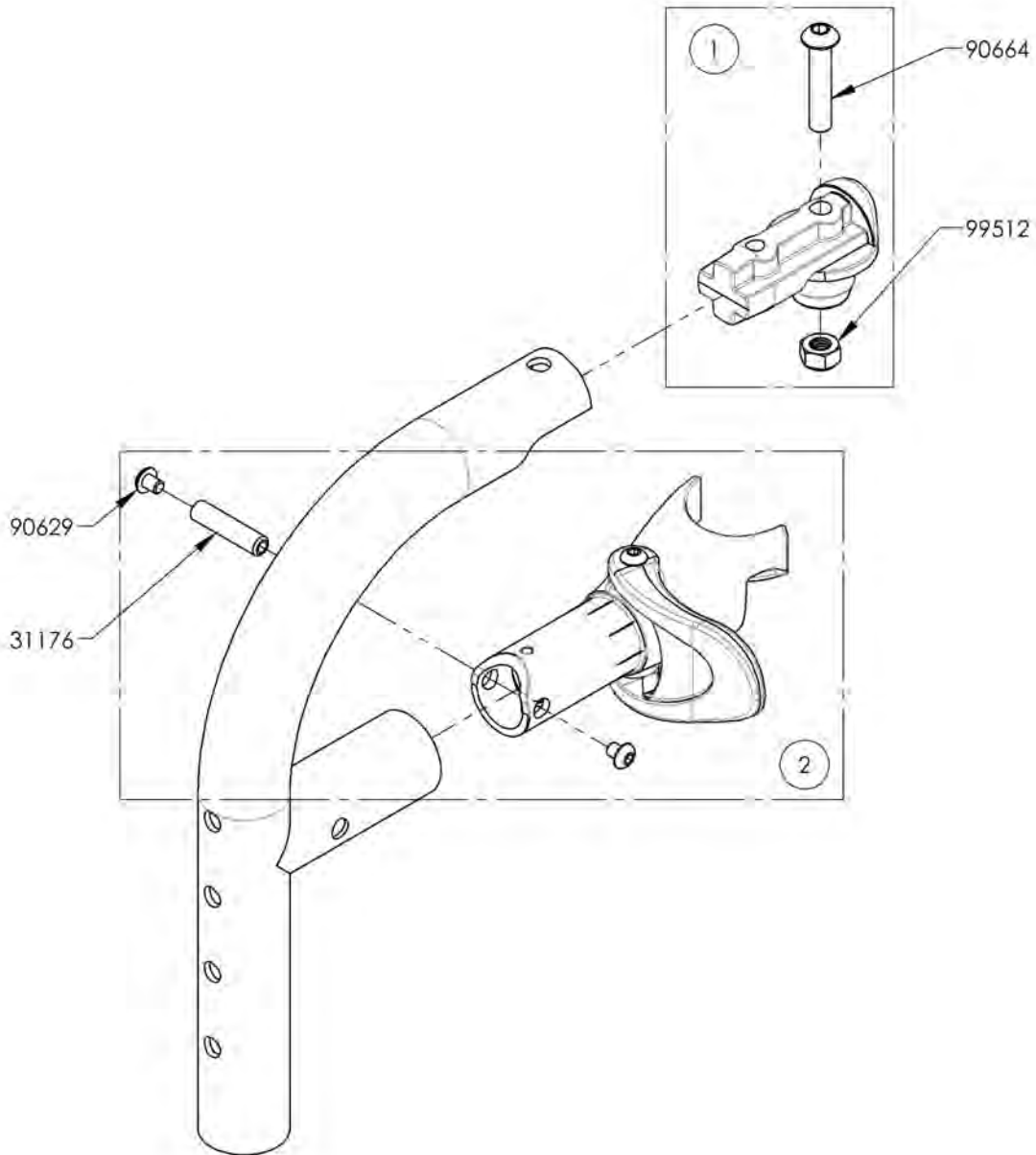
ITEM NO.	PARTNO	DESCRIPTION	9001343 /QTY.
1	31551	V2 FOOTREST PIVOT- ASSEMBLY	1
2	31550	V2 FOOTREST HOUSING RIGHT - ASSEMBLY	1



MAKE SURE TO HAVE YOUR SERIAL NUMBER  
 NEARBY WHEN ORDERING PARTS FOR YOUR  
 MOTION COMPOSITES WHEELCHAIR

**9001344**  
**Footrest - Swing-In/Swing-Out, Front Mount, Left, 90° - Black**

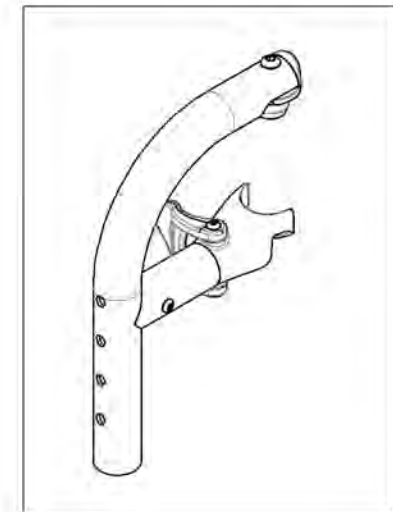
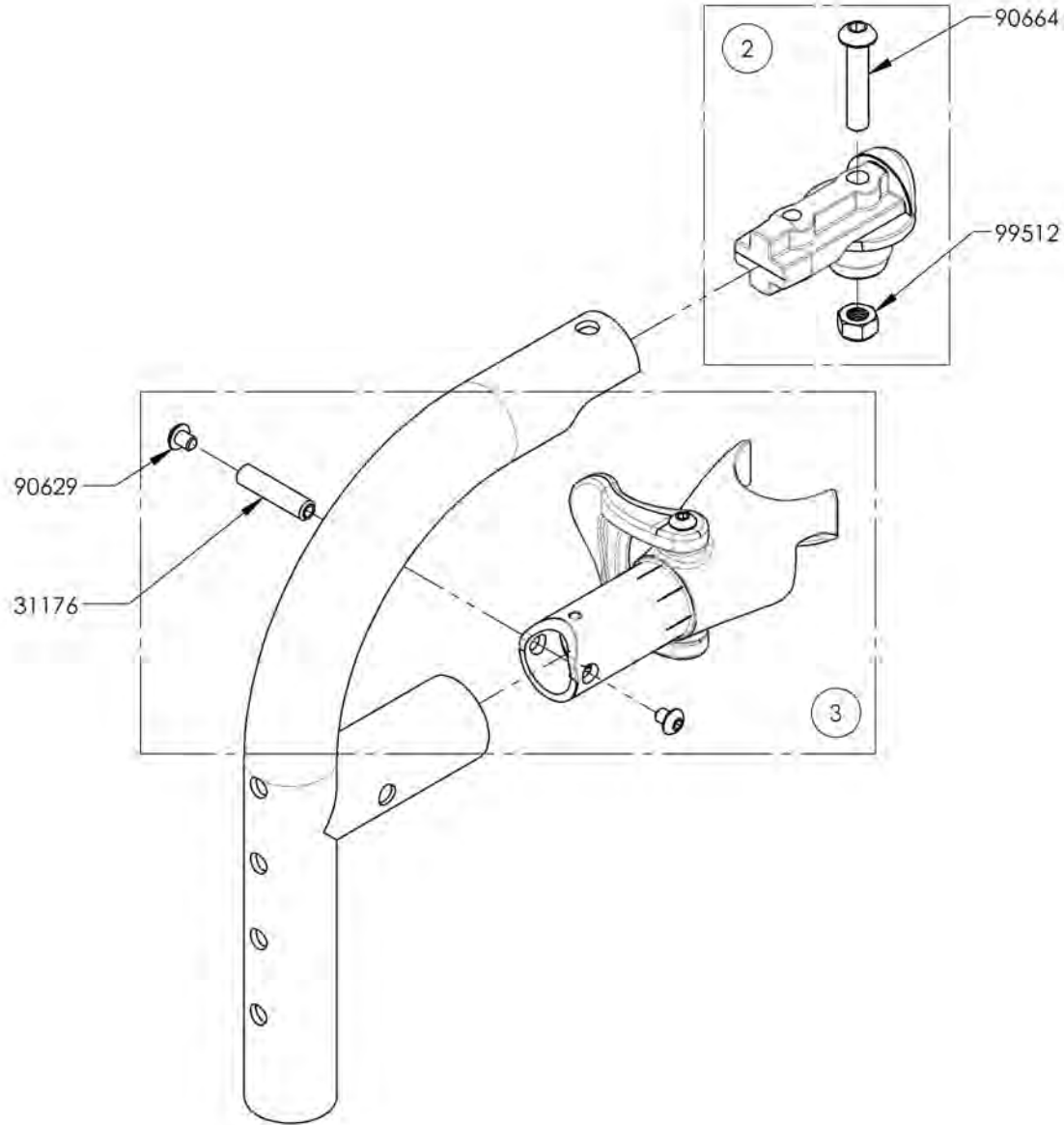
ITEM NO.	PARTNO	DESCRIPTION	9001344 /QTY.
1	31551	V2 FOOTREST PIVOT - ASSEMBLY	1
2	31549	V2 FOOTREST HOUSING LEFT - ASSEMBLY	1



MAKE SURE TO HAVE YOUR SERIAL NUMBER  
 NEARBY WHEN ORDERING PARTS FOR YOUR  
 MOTION COMPOSITES WHEELCHAIR

**9001345**  
**Footrest - Swing-In/Swing-Out, Front Mount, Right, 90° (Specify Color)**

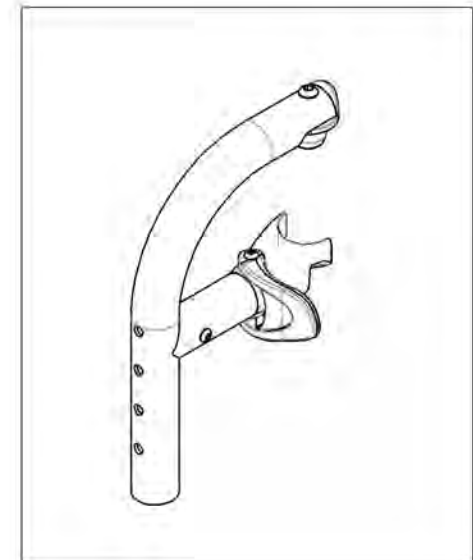
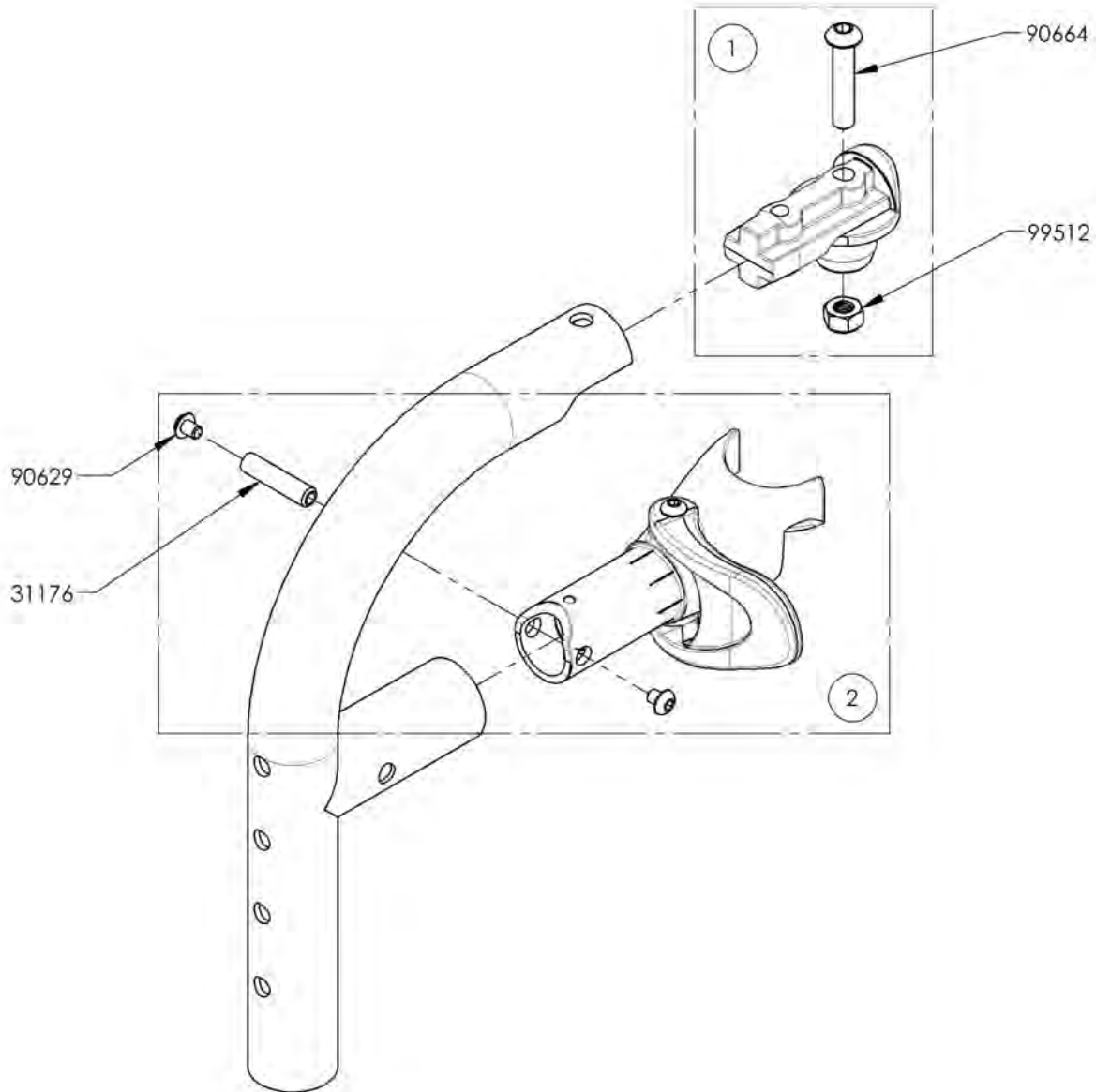
ITEM NO.	PARTNO	DESCRIPTION	9001345 /QTY.
1	31210	V2 FOOTREST 90° DIRECT MOUNT STRUCTURE	1
2	31551	V2 FOOTREST PIVOT - ASSEMBLY	1
3	31550	V2 FOOTREST HOUSING RIGHT - ASSEMBLY	1



MAKE SURE TO HAVE YOUR SERIAL NUMBER  
 NEARBY WHEN ORDERING PARTS FOR YOUR  
 MOTION COMPOSITES WHEELCHAIR

**9001346**  
**Footrest - Swing-In/Swing-Out, Front Mount, Left, 90° (Specify Color)**

ITEM NO.	PARTNO	DESCRIPTION	9001346 /QTY.
1	31551	V2 FOOTREST PIVOT - ASSEMBLY	1
2	31549	V2 FOOTREST HOUSING LEFT - ASSEMBLY	1

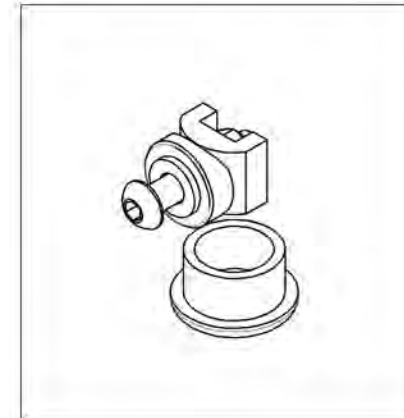
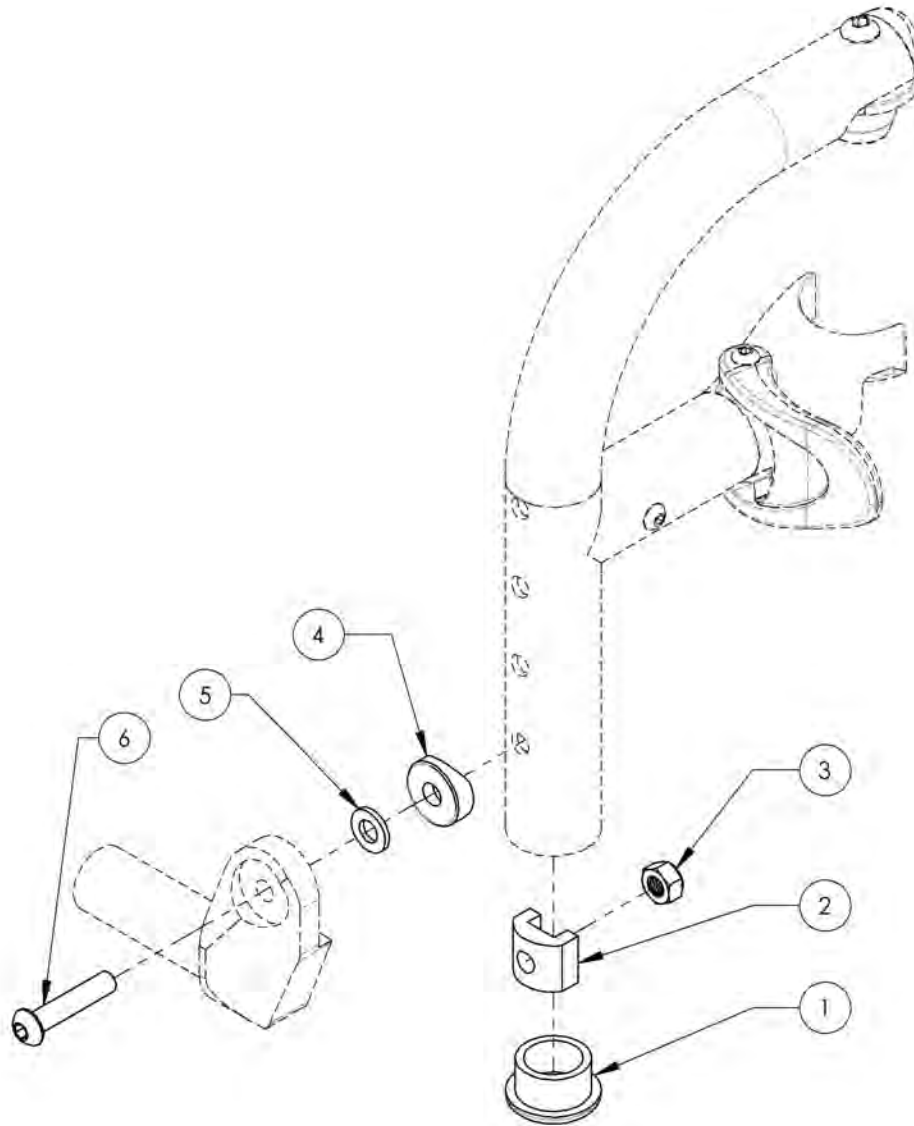


MAKE SURE TO HAVE YOUR SERIAL NUMBER  
 NEARBY WHEN ORDERING PARTS FOR YOUR  
 MOTION COMPOSITES WHEELCHAIR



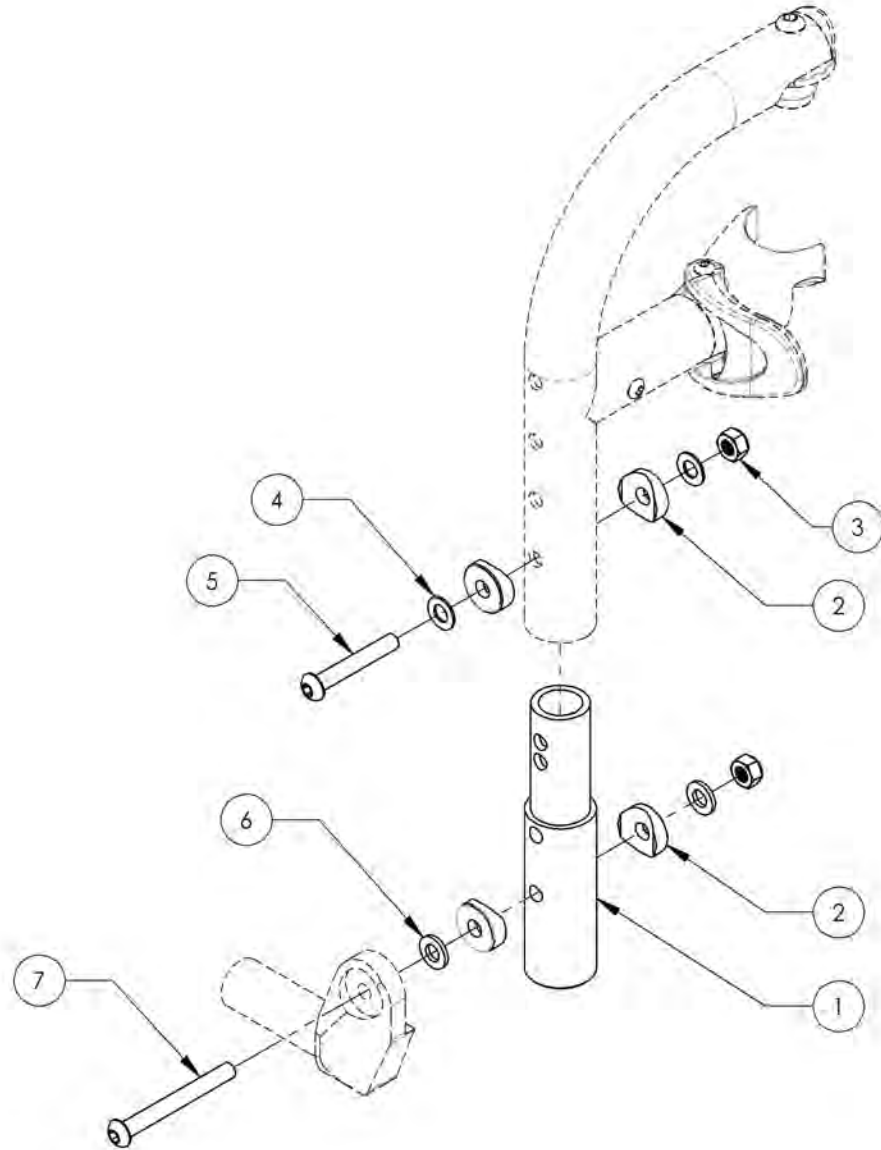
**9001347**  
**Footrest - No Extension, Front Mount, 90° (7½ - 11 in) (19 - 28 cm)**

ITEM NO.	PARTNO	DESCRIPTION	9001347 /QTY.
1	99702	CAP 1 IN ALU	1
2	31213	FOOTREST DIRECT MOUNT NUT HOLDER	1
3	99512	M6 LOW NYLON LOCK	1
4	33068	M6 COVED WASHER FOR 1" TUBE	1
5	99562	WASHER 1/4 17/64 ID X 5/8 OD X .062 THK	1
6	90664	BUTTON HEAD CAP SCREW M6X1 X 30mm LONG, FULLY THREADED + BLUE THREADLOCKER - BLACK ZINC	1

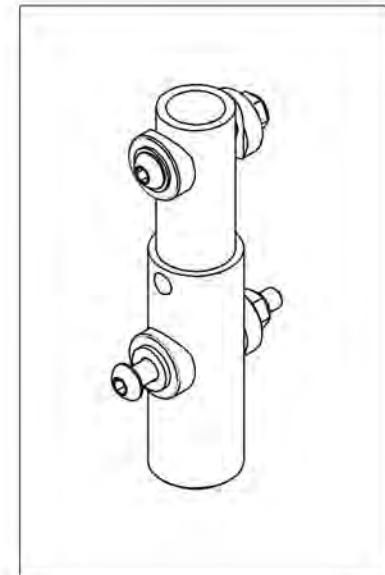


MAKE SURE TO HAVE YOUR SERIAL NUMBER  
 NEARBY WHEN ORDERING PARTS FOR YOUR  
 MOTION COMPOSITES WHEELCHAIR

**9001348**  
**Footrest - Extension, Front Mount, 90° (9½ - 13 in) (24 - 33 cm)**

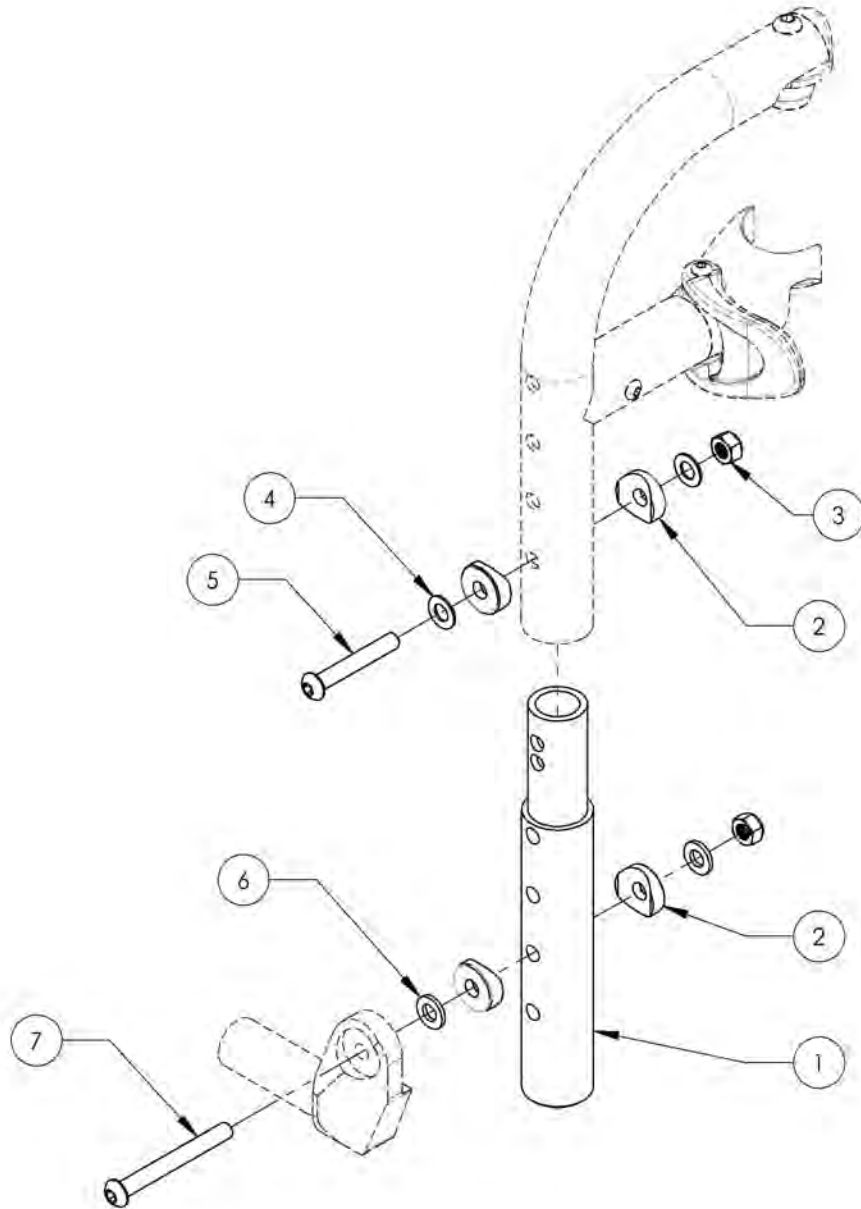


ITEM NO.	PARTNO	DESCRIPTION	9001348 /QTY.
1	31211	V2 DIRECT MOUNT STRUCTURE SHORT EXTENSION	1
2	33068	M6 COVED WASHER FOR 1" TUBE	4
3	99512	M6 LOW NYLON LOCK	2
4	99560	WASHER 1/4 17/64 ID X 1/2 OD X .032 THK	2
5	90666	BUTTON HEAD CAP SCREW M6X1 X 40mm LONG, 24mm THREADED + BLUE THREADLOCKER - BLACK ZINC	1
6	99562	WASHER 1/4 17/64 ID X 5/8 OD X .062 THK	2
7	90669	BUTTON HEAD CAP SCREW M6X1 X 55mm LONG, 24mm THREADED + BLUE THREADLOCKER - BLACK ZINC	1

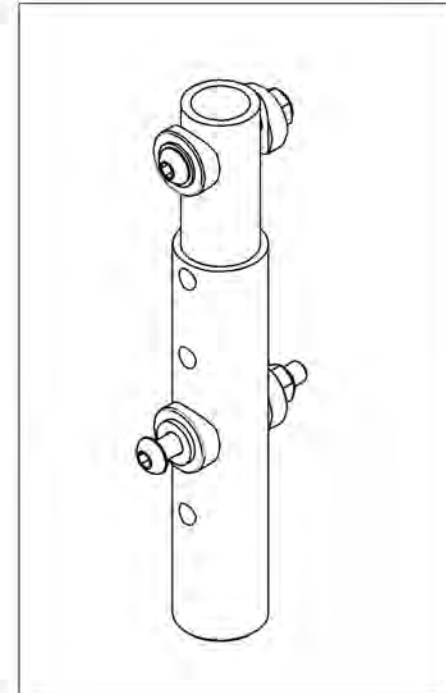


MAKE SURE TO HAVE YOUR SERIAL NUMBER  
 NEARBY WHEN ORDERING PARTS FOR YOUR  
 MOTION COMPOSITES WHEELCHAIR

**9001349**  
**Footrest - Extension, Front Mount, 90° (9½ - 14½ in) (24 - 36,8 cm)**

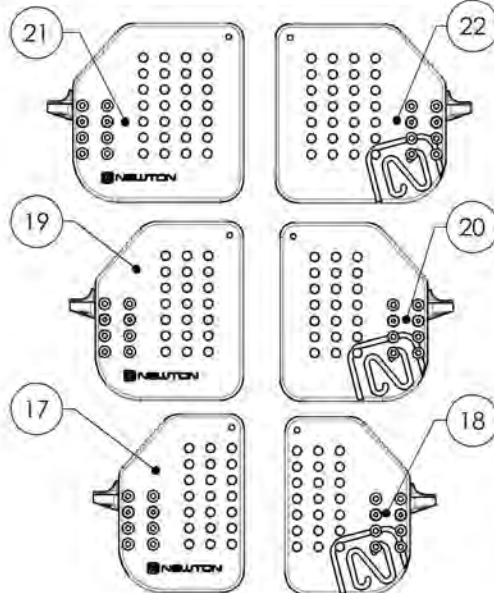
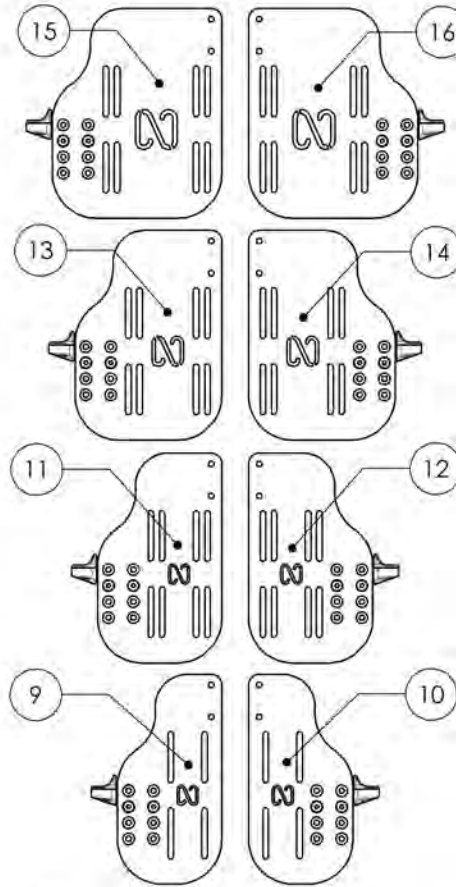
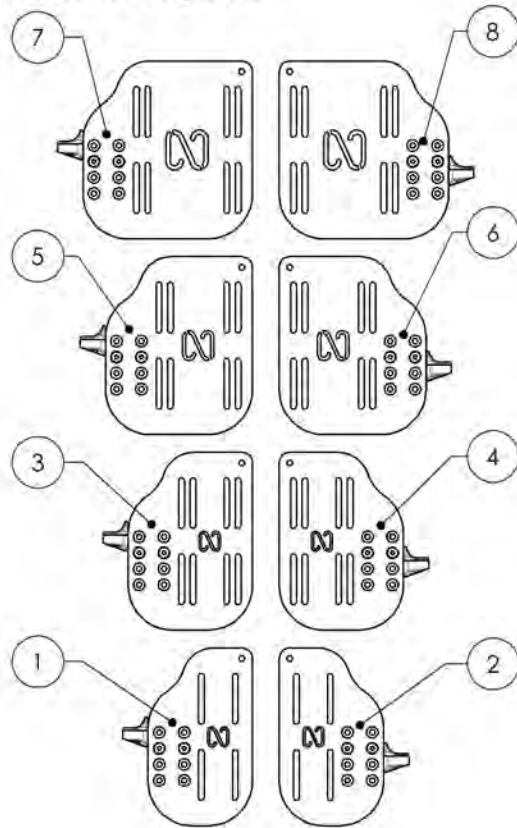


ITEM NO.	PARTNO	DESCRIPTION	9001349 /QTY.
1	31219	V2 DIRECT MOUNT STRUCTURE MEDIUM EXTENSION	1
2	33068	M6 COVED WASHER FOR 1" TUBE	4
3	99512	M6 LOW NYLON LOCK	2
4	99560	WASHER 1/4 17/64 ID X 1/2 OD X .032 THK	2
5	90666	BUTTON HEAD CAP SCREW M6X1 X 40mm LONG, 24mm THREADED + BLUE THREADLOCKER - BLACK ZINC	1
6	99562	WASHER 1/4 17/64 ID X 5/8 OD X .062 THK	2
7	90669	BUTTON HEAD CAP SCREW M6X1 X 55mm LONG, 24mm THREADED + BLUE THREADLOCKER - BLACK ZINC	1

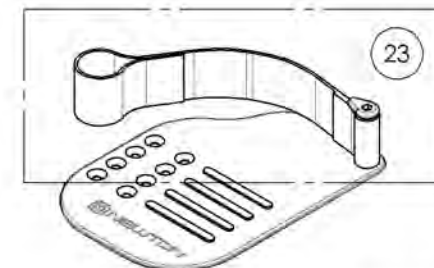


MAKE SURE TO HAVE YOUR SERIAL NUMBER  
 NEARBY WHEN ORDERING PARTS FOR YOUR  
 MOTION COMPOSITES WHEELCHAIR

**Footrests Catalogue**  
**Front Mount Footplates**



ITEM NO.	PARTNO	DESCRIPTION	QTY
1	9001402	Footplate - Aluminium, Newton Angle Adjustable, Front Mount, Right, 4½ x 8 in (Wheelchair Width: 12 to 13 in)	1
2	9001406	Footplate - Aluminium, Newton Angle Adjustable, Front Mount, Left, 4½ x 8 in (Wheelchair Width: 12 to 13 in)	1
3	9001403	Footplate - Aluminium, Newton Angle Adjustable, Front Mount, Right, 5½ x 8 in (Wheelchair Width: 14 to 16 in)	1
4	9001407	Footplate - Aluminium, Newton Angle Adjustable, Front Mount, Left, 5½ x 8 in (Wheelchair Width: 14 to 16 in)	1
5	9001404	Footplate - Aluminium, Newton Angle Adjustable, Front Mount, Right, 6½ x 8 in (Wheelchair Width: 17 to 18 in)	1
6	9001408	Footplate - Aluminium, Newton Angle Adjustable, Front Mount, Left, 6½ x 8 in (Wheelchair Width: 17 to 18 in)	1
7	9001405	Footplate - Aluminium, Newton Angle Adjustable, Front Mount, Right, 7½ x 8 in (Wheelchair Width: 19 in +)	1
8	9001409	Footplate - Aluminium, Newton Angle Adjustable, Front Mount, Left, 7½ x 8 in (Wheelchair Width: 19 in +)	1
9	9001394	Footplate - Aluminium, Newton Angle Adjustable, Front Mount, Right, 4½ x 9½ in (Wheelchair Width: 12 to 13 in)	1
10	9001396	Footplate - Aluminium, Newton Angle Adjustable, Front Mount, Left, 4½ x 9½ in (Wheelchair Width: 12 to 13 in)	1
11	9001395	Footplate - Aluminium, Newton Angle Adjustable, Front Mount, Right, 5½ x 9½ in (Wheelchair Width: 14 to 16 in)	1
12	9001397	Footplate - Aluminium, Newton Angle Adjustable, Front Mount, Left, 5½ x 9½ in (Wheelchair Width: 14 to 16 in)	1
13	9002865	Footplate - Aluminium, Newton Angle Adjustable, Front Mount, Right, 6½ x 9½ in (Wheelchair Width: 17 to 18 in)	1
14	9002867	Footplate - Aluminium, Newton Angle Adjustable, Front Mount, Left, 6½ x 9½ in (Wheelchair Width: 17 to 18 in)	1
15	9002866	Footplate - Aluminium, Newton Angle Adjustable, Front Mount, Right, 7½ x 9½ in (Wheelchair Width: 19 in +)	1
16	9002868	Footplate - Aluminium, Newton Angle Adjustable, Front Mount, Left, 7½ x 9½ in (Wheelchair Width: 19 in +)	1
17	9002859	Footplate - Composite, Newton Angle Adjustable, Front Mount, Right, 5½ x 8 in (Wheelchair Width: 14 to 16 in)	1
18	9002862	Footplate - Composite, Newton Angle Adjustable, Front Mount, Left, 5½ x 8 in (Wheelchair Width: 14 to 16 in)	1
19	9002860	Footplate - Composite, Newton Angle Adjustable, Front Mount, Right, 6½ x 8 in (Wheelchair Width: 17 to 18 in)	1
20	9002863	Footplate - Composite, Newton Angle Adjustable, Front Mount, Left, 6½ x 8 in (Wheelchair Width: 17 to 18 in)	1
21	9002861	Footplate - Composite, Newton Angle Adjustable, Front Mount, Right, 7½ x 8 in (Wheelchair Width: 19 in +)	1
22	9002864	Footplate - Composite, Newton Angle Adjustable, Front Mount, Left, 7½ x 8 in (Wheelchair Width: 19 in +)	1
23	9001411	Heel Loop - Length Adjustable	1



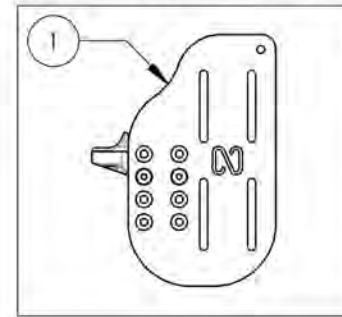
MAKE SURE TO HAVE YOUR SERIAL NUMBER NEARBY WHEN ORDERING PARTS FOR YOUR MOTION COMPOSITES WHEELCHAIR

**9001402\_9001405**

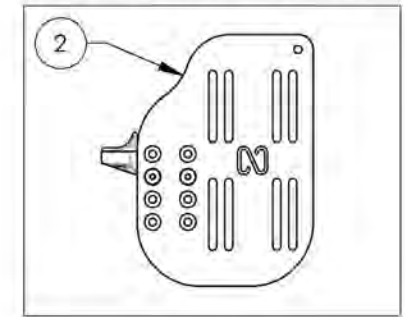
**Footplate - Aluminum, Newton, Angle adjustable, For Front Mount, Right, 8 in Depth**

ITEM NO.	PARTNO	DESCRIPTION	9001402 /QTY.	9001403 /QTY.	9001404 /QTY.	9001405 /QTY.
1	31124	ADJUSTABLE NEWTON ALU FOOTPLATE 4.5 x 8 in, RIGHT (WHEELCHAIR WIDTH 12-13 in)	1	-	-	-
2	31118	ADJUSTABLE NEWTON ALU FOOTPLATE 5.5 x 8 in, RIGHT (WHEELCHAIR WIDTH 14-16 in)	-	1	-	-
3	31120	ADJUSTABLE NEWTON ALU FOOTPLATE 6.5 x 8 in, RIGHT (WHEELCHAIR WIDTH 17-18 in)	-	-	1	-
4	31122	ADJUSTABLE NEWTON ALU FOOTPLATE 7.5 x 8 in, RIGHT (WHEELCHAIR WIDTH 19 in +)	-	-	-	1
5	31116	ANGLE ADJUSTABLE FOOTPLATE CLAMP	2	2	2	2
6	31112	DIRECT MOUNT ANGLE ADJUSTABLE FOOTPLATE RIGHT PIVOT	1	1	1	1
7	90868	FLAT HEAD CAP SCREW M4X1 X 20mm LONG, FULLY THREADED + BLUE THREADLOCKER - BLACK ZINC	2	2	2	2

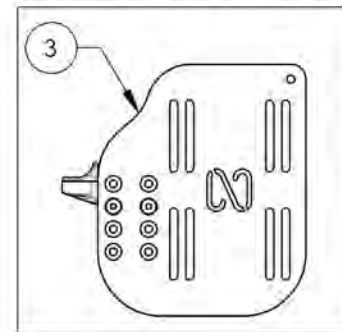
9001402  
Footplate - Aluminium, Newton Angle Adjustable, Front Mount, Right, 4½ x 8 in (Wheelchair Width: 12 to 13 in)



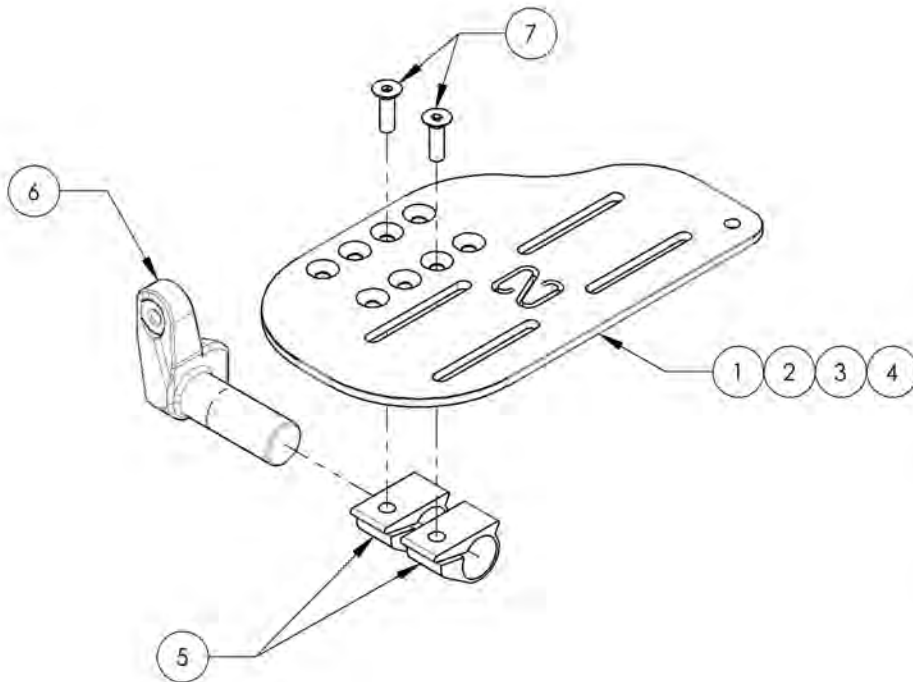
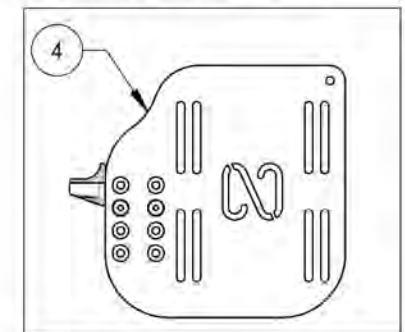
9001403  
Footplate - Aluminium, Newton Angle Adjustable, Front Mount, Right, 5½ x 8 in (Wheelchair Width: 14 to 16 in)



9001404  
Footplate - Aluminium, Newton Angle Adjustable, Front Mount, Right, 6½ x 8 in (Wheelchair Width: 17 to 18 in)



9001405  
Footplate - Aluminium, Newton Angle Adjustable, Front Mount, Right, 7½ x 8 in (Wheelchair Width: 19 in +)



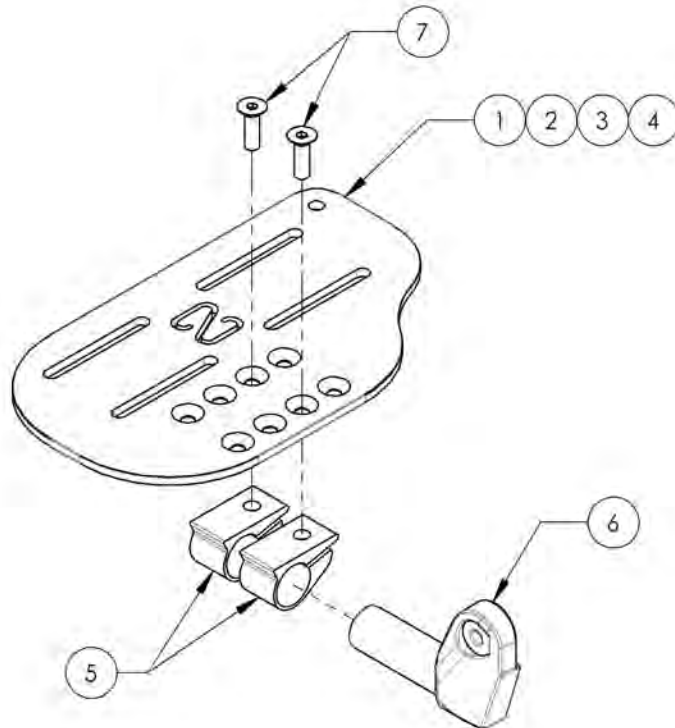
MAKE SURE TO HAVE YOUR SERIAL NUMBER NEARBY WHEN ORDERING PARTS FOR YOUR MOTION COMPOSITES WHEELCHAIR



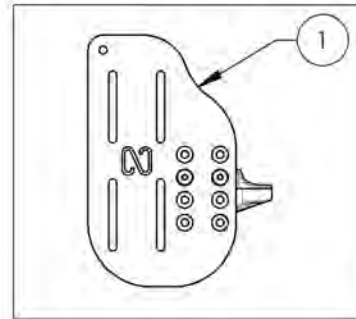
**9001406\_9001409**

**Footplate - Aluminum, Newton, Angle Adjustable, For Front Mount, Left, 8 in Depth**

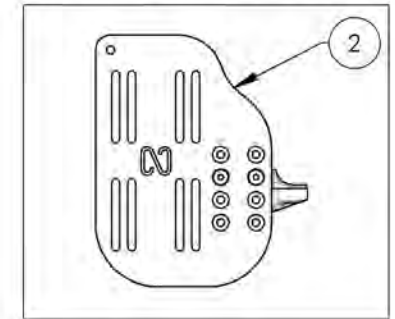
ITEM NO.	PARTNO	DESCRIPTION	9001406 /QTY.	9001407 /QTY.	9001408 /QTY.	9001409 /QTY.
1	31123	ADJUSTABLE NEWTON ALU FOOTPLATE 4.5 x 8 in, LEFT (WHEELCHAIR WIDTH 12-13 in)	1	-	-	-
2	31117	ADJUSTABLE NEWTON ALU FOOTPLATE 5.5 x 8 in, LEFT (WHEELCHAIR WIDTH 14-16 in)	-	1	-	-
3	31119	ADJUSTABLE NEWTON ALU FOOTPLATE 6.5 x 8 in, LEFT (WHEELCHAIR WIDTH 17-18 in)	-	-	1	-
4	31121	ADJUSTABLE NEWTON ALU FOOTPLATE 7.5 x 8 in, LEFT (WHEELCHAIR WIDTH 19 in +)	-	-	-	1
5	31116	ANGLE ADJUSTABLE FOOTPLATE CLAMP	2	2	2	2
6	31113	DIRECT MOUNT ANGLE ADJUSTABLE FOOTPLATE LEFT PIVOT	1	1	1	1
7	90868	FLAT HEAD CAP SCREW M6X1 X 20mm LONG, FULLY THREADED + BLUE THREADLOCKER - BLACK ZINC	2	2	2	2



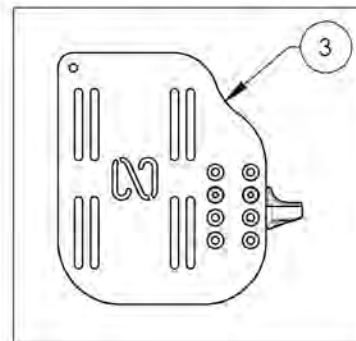
9001406  
Footplate - Aluminium, Newton Angle Adjustable, Front Mount, Left, 4½ x 8 in (Wheelchair Width: 12 to 13 in)



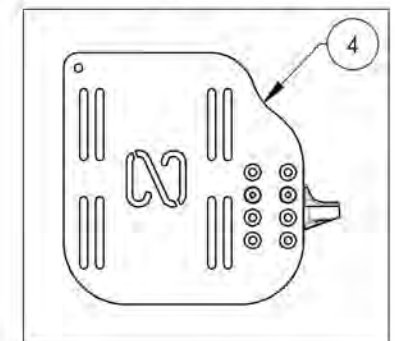
9001407  
Footplate - Aluminium, Newton Angle Adjustable, Front Mount, Left, 5½ x 8 in (Wheelchair Width: 14 to 16 in)



9001408  
Footplate - Aluminium, Newton Angle Adjustable, Front Mount, Left, 6½ x 8 in (Wheelchair Width: 17 to 18 in)



9001409  
Footplate - Aluminium, Newton Angle Adjustable, Front Mount, Left, 7½ x 8 in (Wheelchair Width: 19 in +)

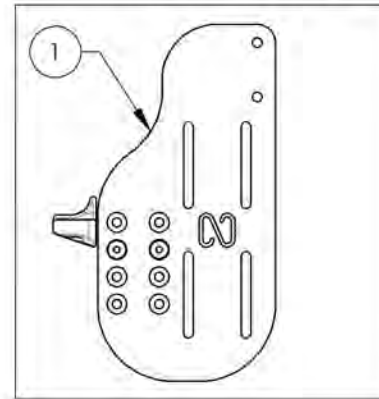


MAKE SURE TO HAVE YOUR SERIAL NUMBER NEARBY WHEN ORDERING PARTS FOR YOUR MOTION COMPOSITES WHEELCHAIR

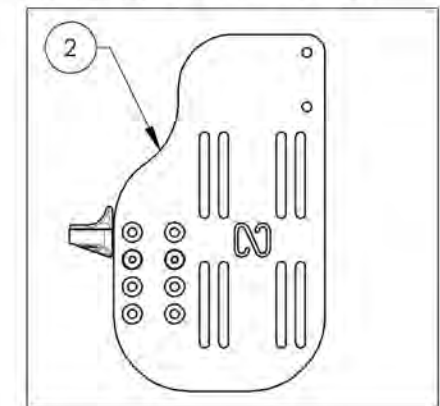
**9001394\_9001395 & 9002865\_9002866**  
**Footplate - Aluminium, Newton Angle Adjustable, Front Mount, Right, 9½ in Depth**

ITEM NO.	PARTNO	DESCRIPTION	9001394 /QTY.	9001395 /QTY.	9002865 /QTY.	9002866 /QTY.
1	31126	ADJUSTABLE NEWTON ALU FOOTPLATE 4.5 x 9.5 in, RIGHT (WHEELCHAIR WIDTH 12-13 in)	1	-	-	-
2	31137	ADJUSTABLE NEWTON ALU FOOTPLATE 5.5 x 9.5 in, RIGHT (WHEELCHAIR WIDTH 14-16 in)	-	1	-	-
3	31190	ADJUSTABLE NEWTON ALU FOOTPLATE 6.5 x 9.5 in, RIGHT (WHEELCHAIR WIDTH 17-18 in)	-	-	1	-
4	31192	ADJUSTABLE NEWTON ALU FOOTPLATE 7.5 x 9.5 in, RIGHT (WHEELCHAIR WIDTH 19 in +)	-	-	-	1
5	31112	DIRECT MOUNT ANGLE ADJUSTABLE FOOTPLATE RIGHT PIVOT	1	1	1	1
6	31116	ANGLE ADJUSTABLE FOOTPLATE CLAMP	2	2	2	2
7	90868	FLAT HEAD CAP SCREW M6X1 X 20mm LONG, FULLY THREADED + BLUE THREADLOCKER - BLACK ZINC	2	2	2	2

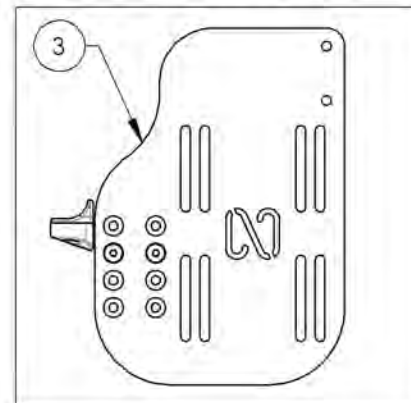
9001394  
 Footplate - Aluminium, Newton Angle Adjustable, Front Mount, Right, 4½ x 9½ in (Wheelchair Width: 12 to 13 in)



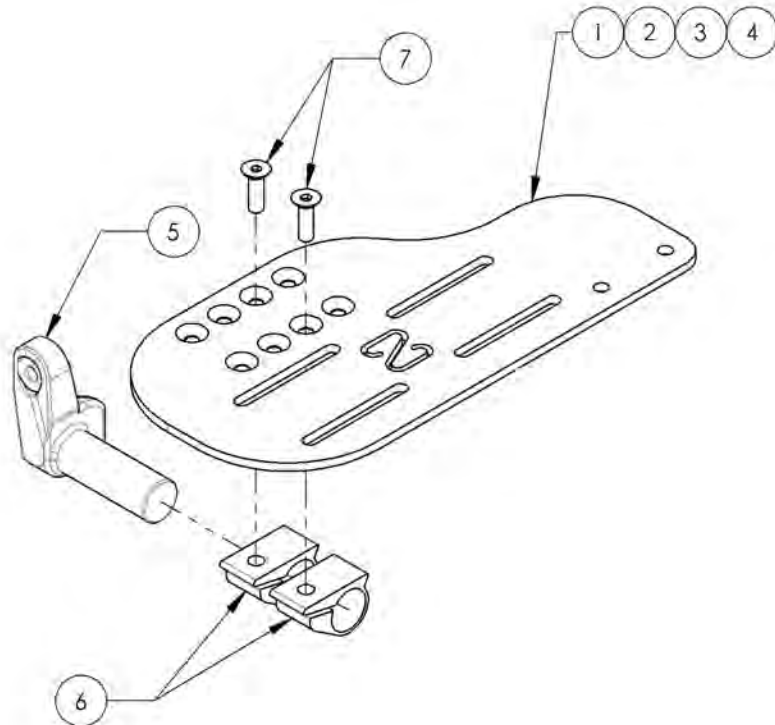
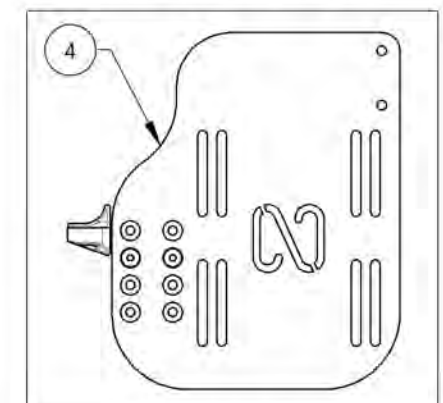
9001395  
 Footplate - Aluminium, Newton Angle Adjustable, Front Mount, Right, 5½ x 9½ in (Wheelchair Width: 14 to 16 in)



9002865  
 Footplate - Aluminium, Newton Angle Adjustable, Front Mount, Right 6½ x 9½ in (Wheelchair Width: 17 to 18 in)



9002866  
 Footplate - Aluminium, Newton Angle Adjustable, Front Mount, Right 7½ x 9½ in (Wheelchair Width: 19 in +)



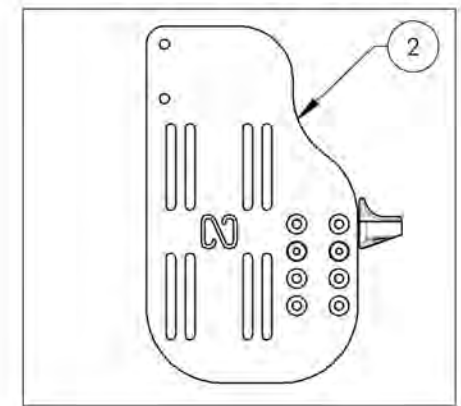
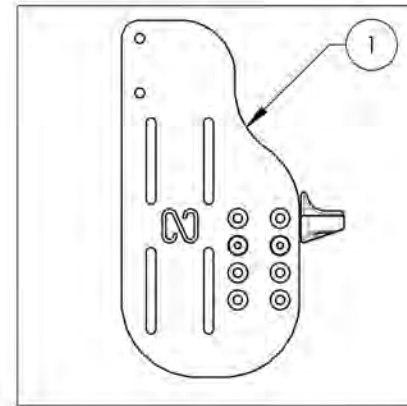
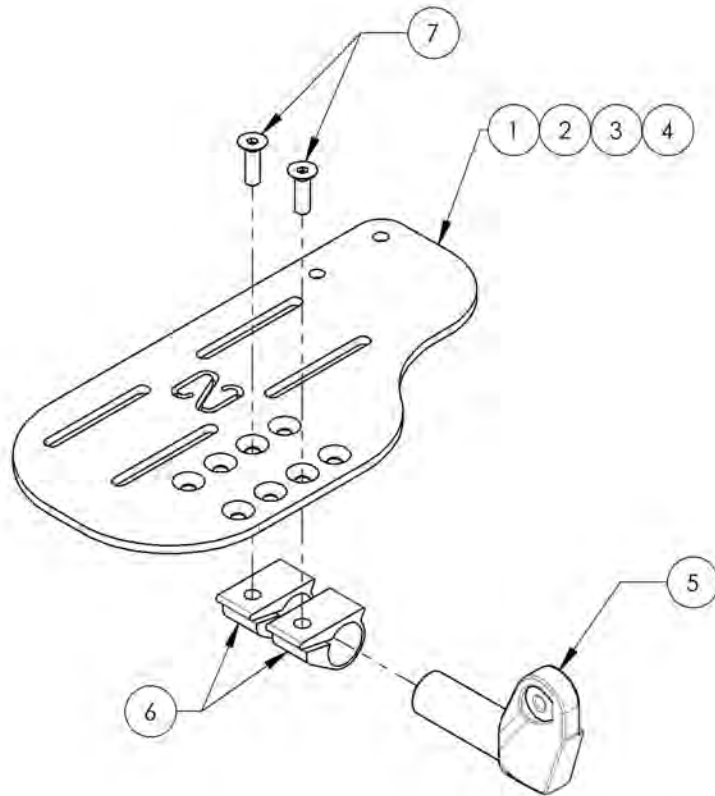
MAKE SURE TO HAVE YOUR SERIAL NUMBER NEARBY WHEN ORDERING PARTS FOR YOUR MOTION COMPOSITES WHEELCHAIR

**9001396\_9001397 & 9002867\_9002868**  
**Footplate - Aluminium, Newton Angle Adjustable, Front Mount, Left, 9½ in Depth**

ITEM NO.	PARTNO	DESCRIPTION	9001396 /QTY.	9001397 /QTY.	9002867 /QTY.	9002868 /QTY.
1	31125	ADJUSTABLE NEWTON ALU FOOTPLATE 4,5 x 9,5 in, LEFT (WHEELCHAIR WIDTH 12-13 in)	1	-	-	-
2	31136	ADJUSTABLE NEWTON ALU FOOTPLATE 5,5 x 9,5 in, LEFT (WHEELCHAIR WIDTH 14-16 in)	-	1	-	-
3	31191	ADJUSTABLE NEWTON ALU FOOTPLATE 6,5 x 9,5 in, LEFT (WHEELCHAIR WIDTH 17-18 in)	-	-	1	-
4	31193	ADJUSTABLE NEWTON ALU FOOTPLATE 7,5 x 9,5 in, LEFT (WHEELCHAIR WIDTH 19 in +)	-	-	-	1
5	31113	DIRECT MOUNT ANGLE ADJUSTABLE FOOTPLATE LEFT PIVOT	1	1	1	1
6	31116	ANGLE ADJUSTABLE FOOTPLATE CLAMP	2	2	2	2
7	90868	FLAT HEAD CAP SCREW M6X1 X 20mm LONG, FULLY THREADED + BLUE THREADLOCKER - BLACK ZINC	2	2	2	2

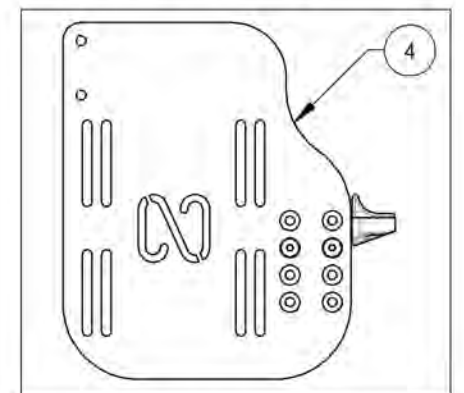
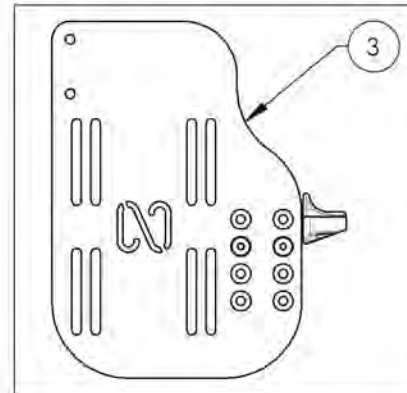
9001396  
 Footplate - Aluminium, Newton Angle Adjustable, Front Mount, Left, 4½ x 9½ in  
 (Wheelchair Width: 12 to 13 in)

9001397  
 Footplate - Aluminium, Newton Angle Adjustable, Front Mount, Left, 5½ x 9½ in  
 (Wheelchair Width: 14 to 16 in)



9002867  
 Footplate - Aluminium, Newton Angle Adjustable, Front Mount, Left 6½ x 9½ in  
 (Wheelchair Width: 17 to 18 in)

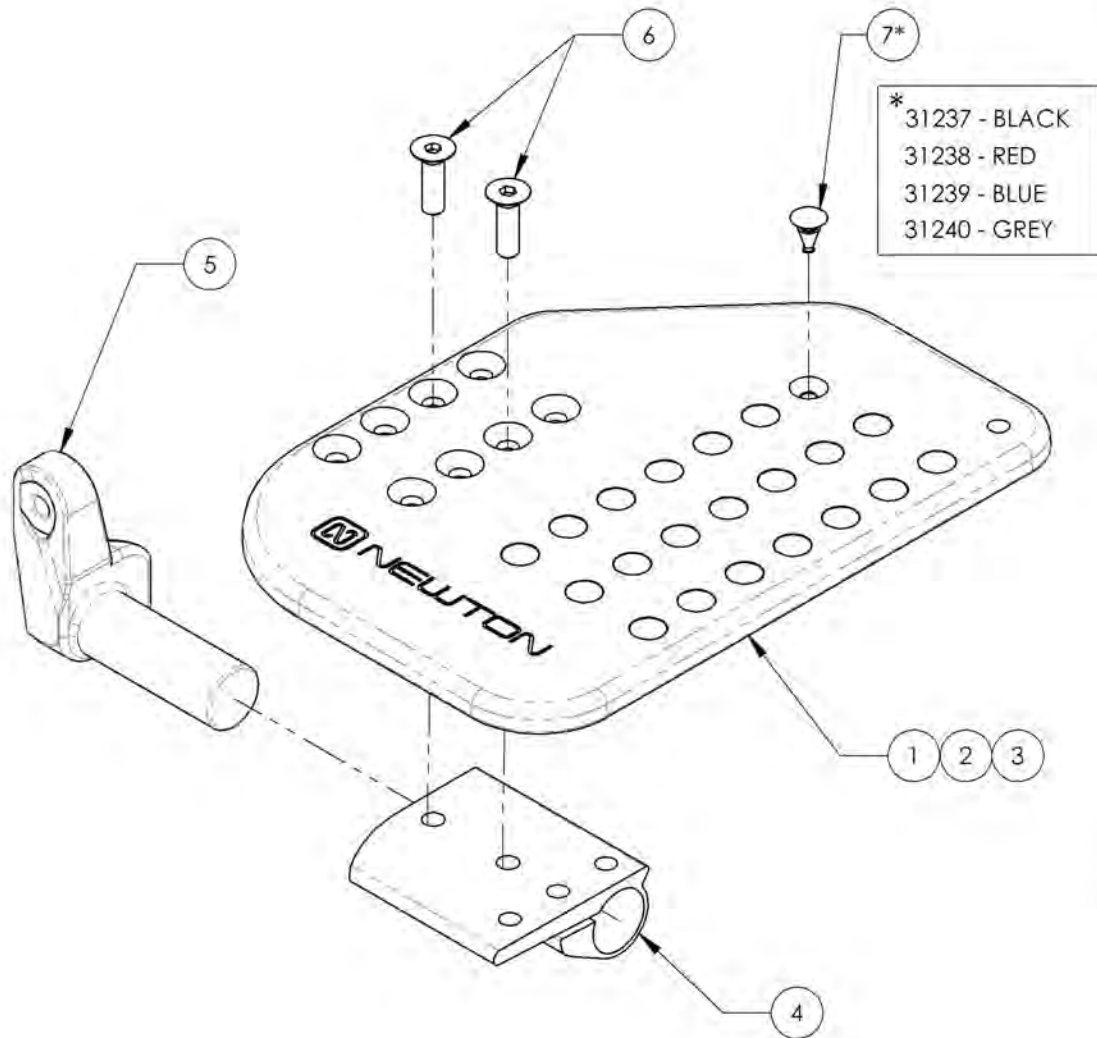
9002868  
 Footplate - Aluminium, Newton Angle Adjustable, Front Mount, Left 7½ x 9½ in  
 (Wheelchair Width: 19 in +)



MAKE SURE TO HAVE YOUR SERIAL NUMBER NEARBY WHEN ORDERING PARTS FOR YOUR MOTION COMPOSITES WHEELCHAIR

**9002859\_9002861**

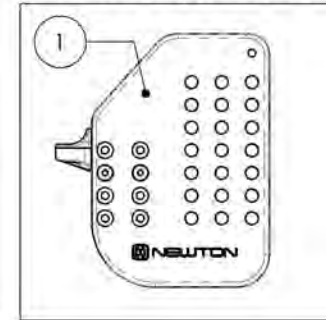
**Footplate - Composite, Newton Angle Adjustable, Front Mount, Right**



ITEM NO.	PARTNO	DESCRIPTION	9002859 /QTY.	9002860 /QTY.	9002861 /QTY.
1	31229	14-16" RIGHT PLASTIC ANGLE ADJUSTABLE FOOTPLATE	1	-	-
2	31231	17-18" RIGHT PLASTIC ANGLE ADJUSTABLE FOOTPLATE	-	1	-
3	31233	19-20" RIGHT PLASTIC ANGLE ADJUSTABLE FOOTPLATE	-	-	1
4	31235	RIGHT PLASTIC ANGLE ADJUSTABLE FOOTPLATE EXTRUSION	1	1	1
5	31112	DIRECT MOUNT ANGLE ADJUSTABLE FOOTPLATE RIGHT PIVOT	1	1	1
6	90868	FLAT HEAD CAP SCREW M6X1 X 20mm LONG, FULLY THREADED + BLUE THREADLOCKER - BLACK ZINC	2	2	2
7*	31237	PLASTIC ANGLE ADJUSTABLE FOOTPLATE FRICTION RUBBER BUMP -BLACK	21	21	28

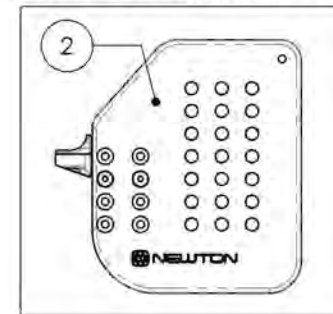
**9002859**

Footplate - Composite, Newton Angle Adjustable, Front Mount, Right, 5½ x 8 in (Wheelchair Width: 14 to 16 in)



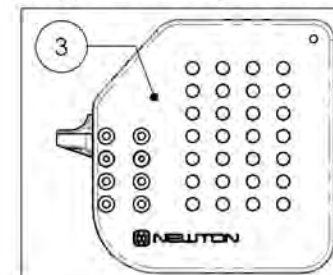
**9002860**

Footplate - Composite, Newton Angle Adjustable, Front Mount, Right, 6½ x 8 in (Wheelchair Width: 17 to 18 in)



**9002861**

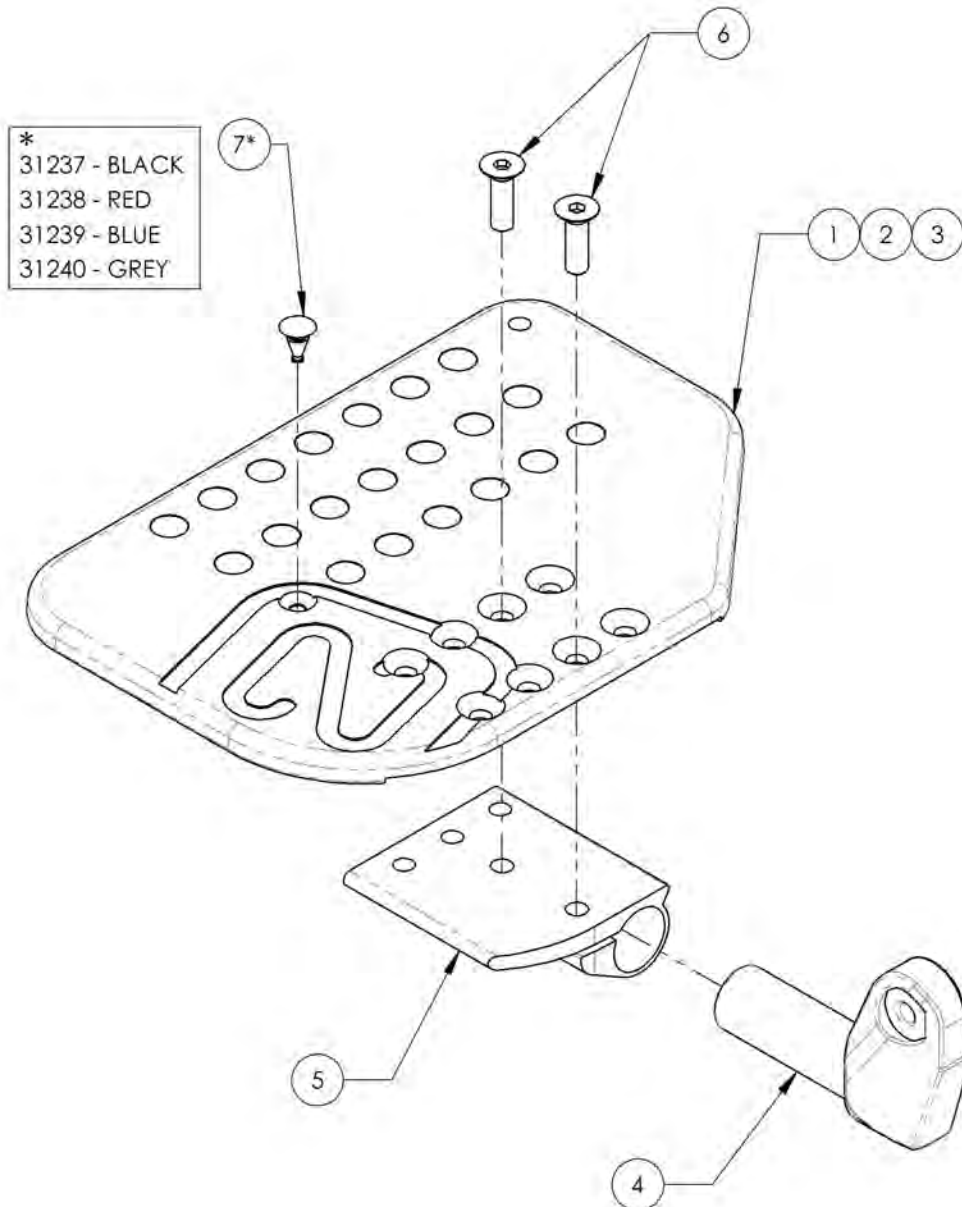
Footplate - Composite, Newton Angle Adjustable, Front Mount, Right, 7½ x 8 in (Wheelchair Width: 19 in +)



MAKE SURE TO HAVE YOUR SERIAL NUMBER NEARBY WHEN ORDERING PARTS FOR YOUR MOTION COMPOSITES WHEELCHAIR

**9002862\_9002864**

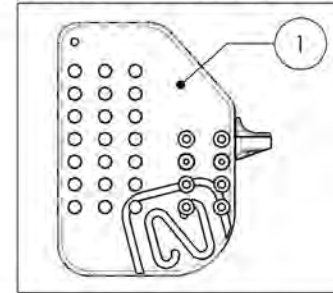
**Footplate - Composite, Newton Angle Adjustable, Front Mount, Left**



ITEM NO.	PARTNO	DESCRIPTION	9002862 /QTY.	9002863 /QTY.	9002864 /QTY.
1	31230	14-16" LEFT PLASTIC ANGLE ADJUSTABLE FOOTPLATE	1	-	-
2	31232	17-18" LEFT PLASTIC ANGLE ADJUSTABLE FOOTPLATE	-	1	-
3	31234	19-20" LEFT PLASTIC ANGLE ADJUSTABLE FOOTPLATE	-	-	1
4	31113	DIRECT MOUNT ANGLE ADJUSTABLE FOOTPLATE LEFT PIVOT	1	1	1
5	31236	LEFT PLASTIC ANGLE ADJUSTABLE FOOTPLATE EXTRUSION	1	1	1
6	90868	FLAT HEAD CAP SCREW M6X1 X 20mm LONG, FULLY THREADED + BLUE THREADLOCKER - BLACK ZINC	2	2	2
7*	31237	PLASTIC ANGLE ADJUSTABLE FOOTPLATE FRICTION RUBBER BUMP -BLACK	21	21	28

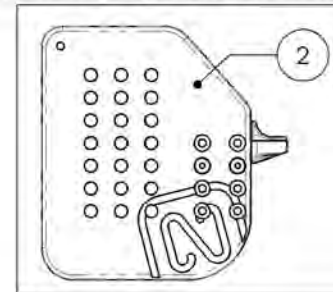
**9002862**

Footplate - Composite, Newton Angle Adjustable, Front Mount, Left, 5½ x 8 in (Wheelchair Width: 14 to 16 in)



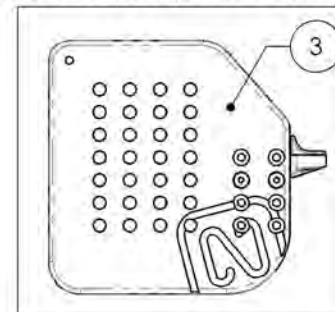
**9002863**

Footplate - Composite, Newton Angle Adjustable, Front Mount, Left, 6½ x 8 in (Wheelchair Width: 17 to 18 in)



**9002864**

Footplate - Composite, Newton Angle Adjustable, Front Mount, Left, 7½ x 8 in (Wheelchair Width: 19 in +)

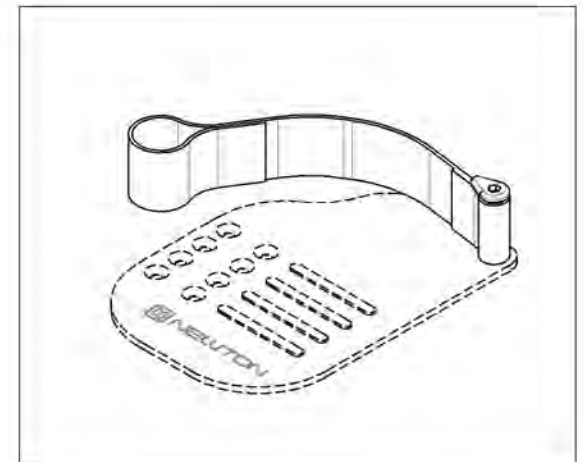
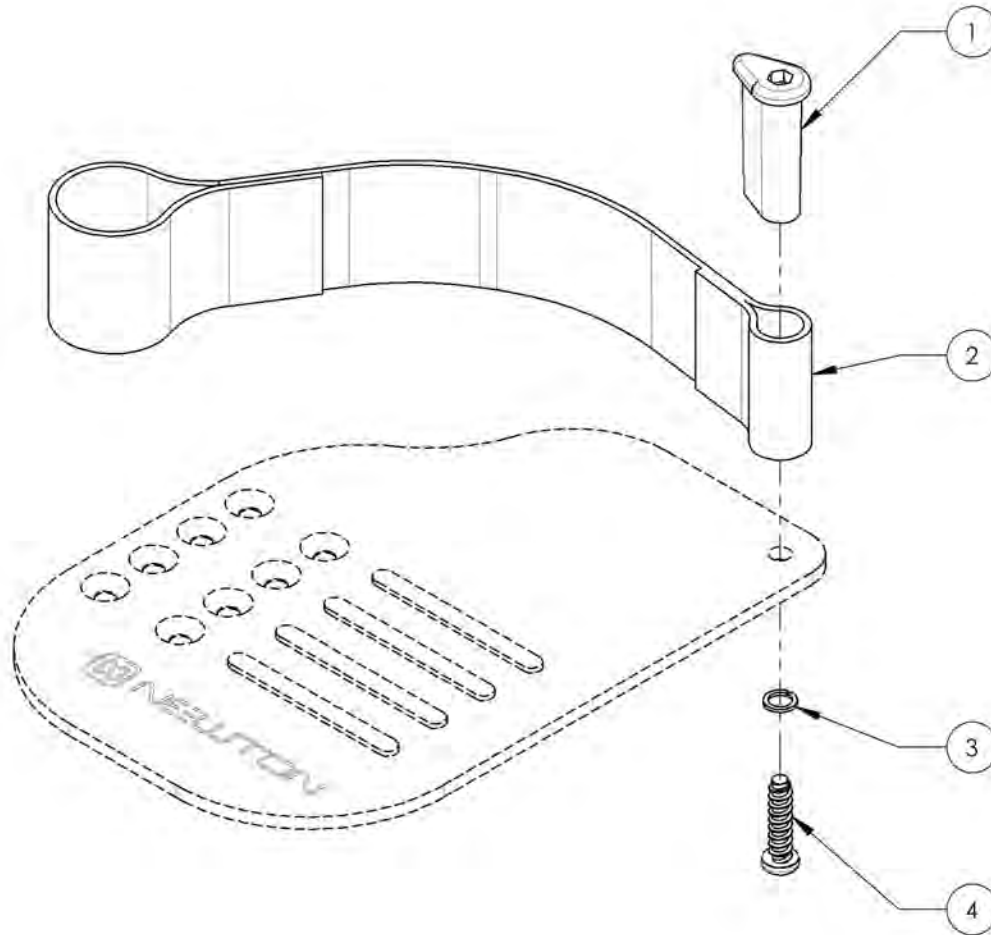


MAKE SURE TO HAVE YOUR SERIAL NUMBER NEARBY WHEN ORDERING PARTS FOR YOUR MOTION COMPOSITES WHEELCHAIR



**9001411**  
**Heel Loop - Length Adjustable**

ITEM NO.	PARTNO	DESCRIPTION	9001411 /QTY.
1	31016	HEEL LOOP PIN (M)	1
2	31045	ADJUSTABLE HEEL LOOP	1
3	99559	COLLAR LOCKWASHER 1_4	1
4	91024	LOW PROFIL CAP SCREW M6 X 2.54 X 25mm	1

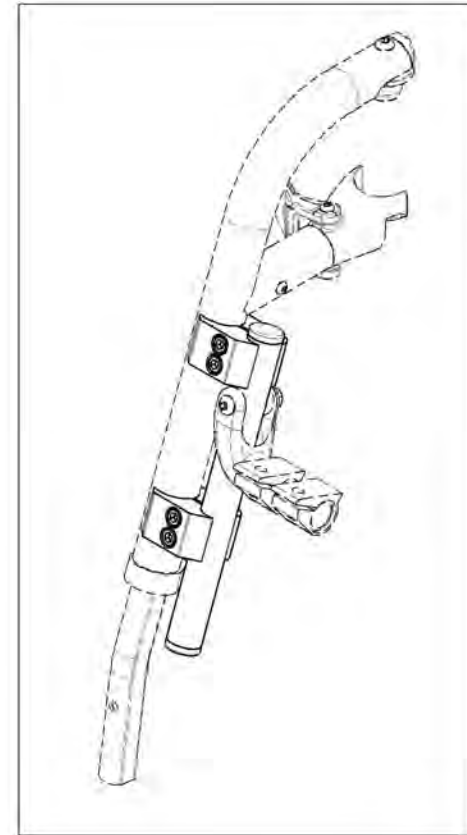
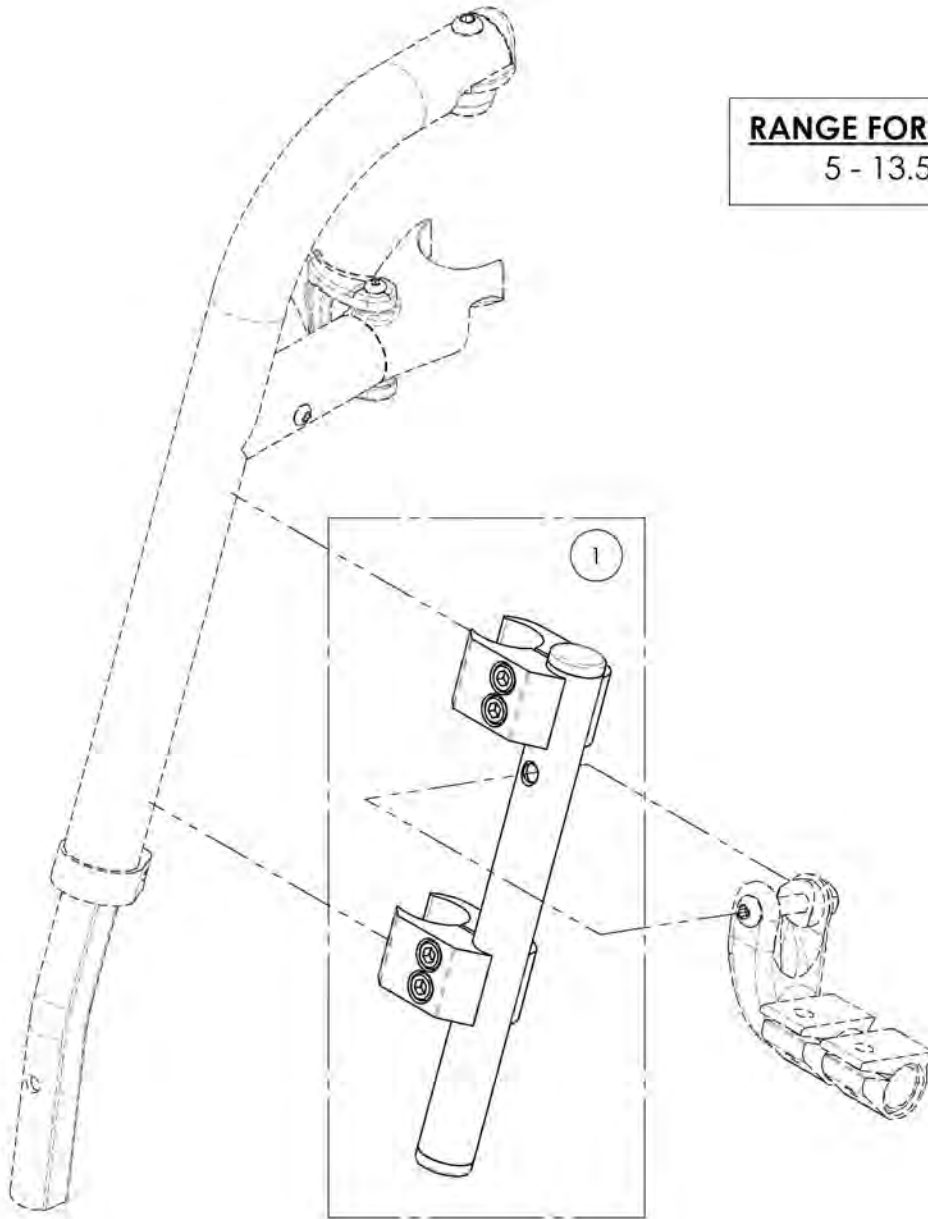


MAKE SURE TO HAVE YOUR SERIAL NUMBER  
 NEARBY WHEN ORDERING PARTS FOR YOUR  
 MOTION COMPOSITES WHEELCHAIR

**Footrests Catalogue**  
**High Mount Extension With Clamps**

ITEM NO.	PARTNO	DESCRIPTION	QTY.
1	9001318	Footrest - High Mount, Extension with Clamps	1

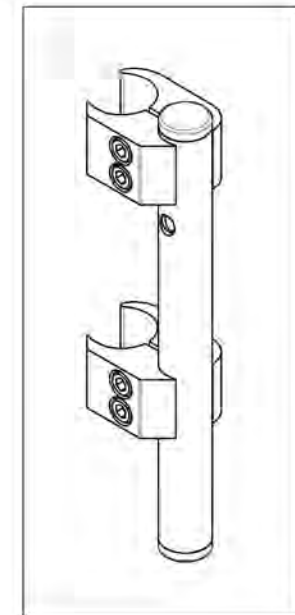
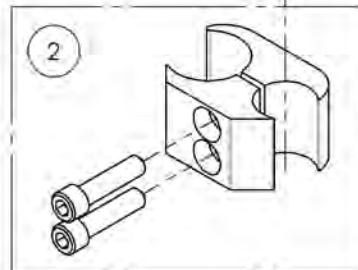
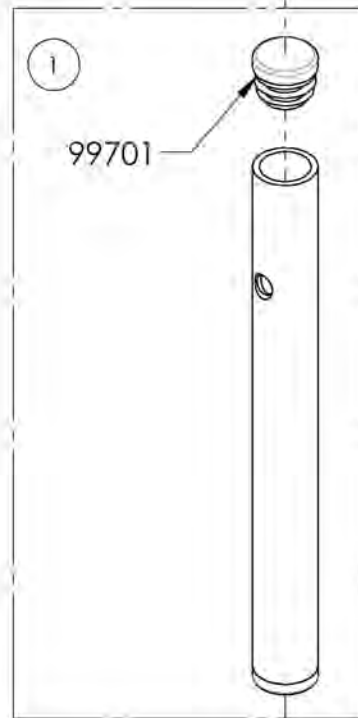
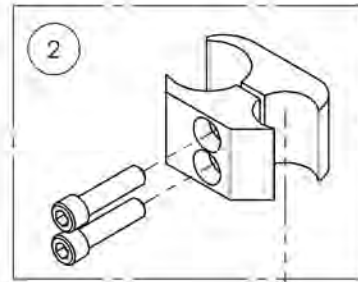
**RANGE FOR HIGH MOUNT**  
5 - 13.5" (127 - 343mm)



MAKE SURE TO HAVE YOUR SERIAL NUMBER  
NEARBY WHEN ORDERING PARTS FOR YOUR  
MOTION COMPOSITES WHEELCHAIR

**9001318**  
**Footrest - High Mount, Extension with Clamps**

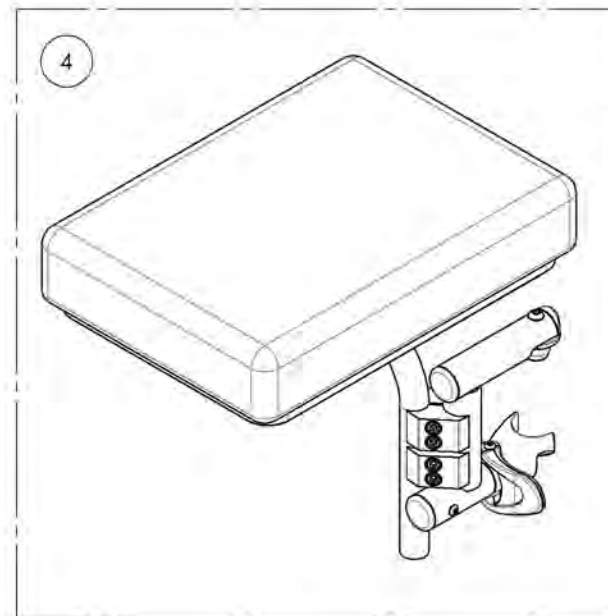
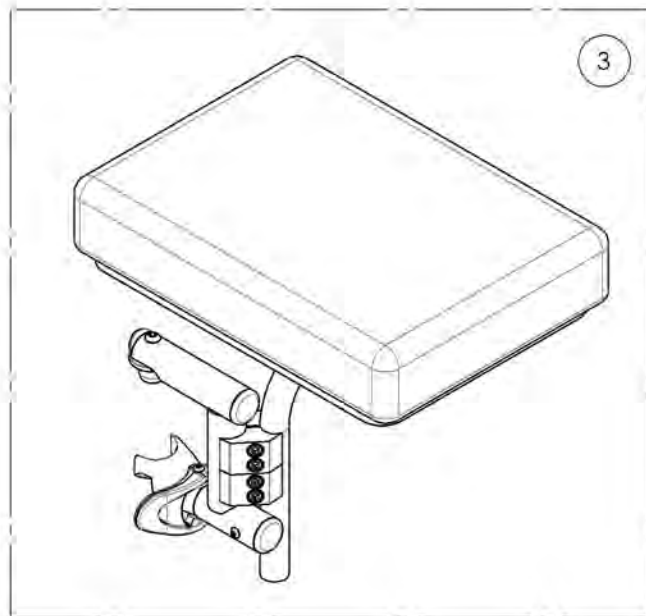
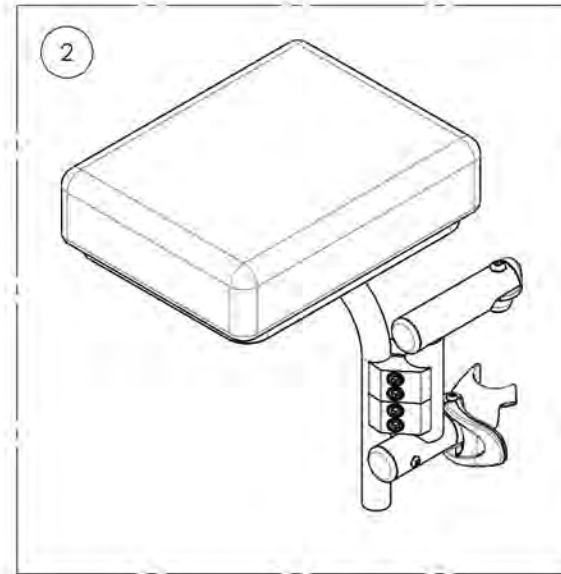
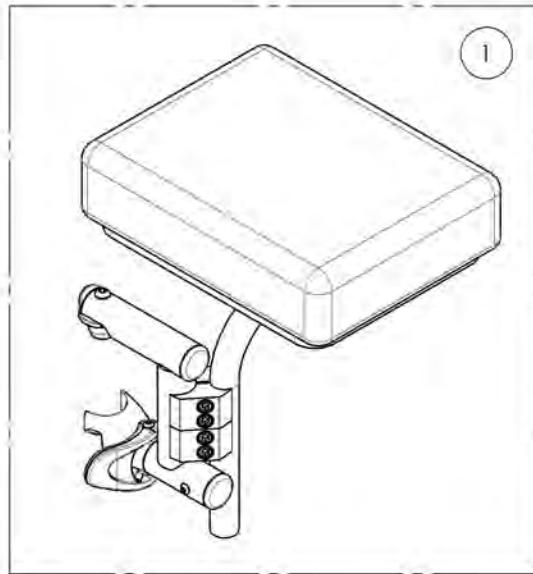
ITEM NO.	PARTNO	DESCRIPTION	QTY.
1	31638	HIGH MOUNT STRAIGHT EXTENSION - ASSY	1
2	41703	3/4-1" CLAMP - ASSEMBLY	2



MAKE SURE TO HAVE YOUR SERIAL NUMBER  
 NEARBY WHEN ORDERING PARTS FOR YOUR  
 MOTION COMPOSITES WHEELCHAIR

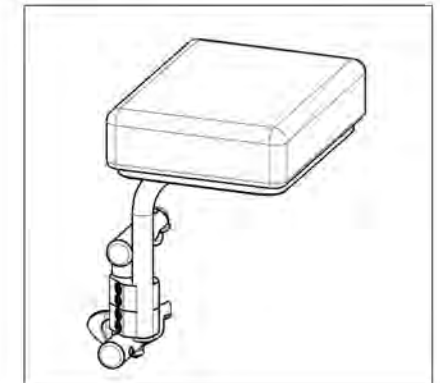
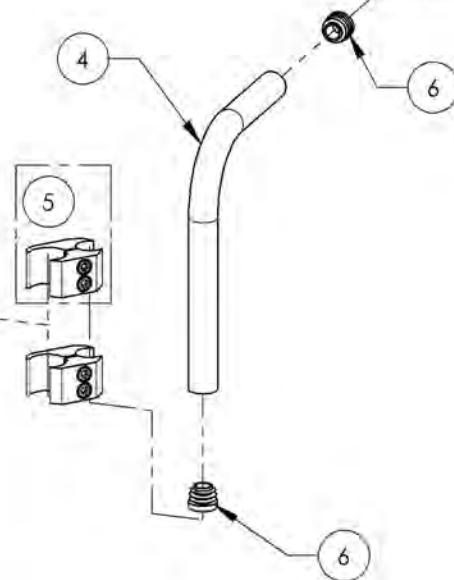
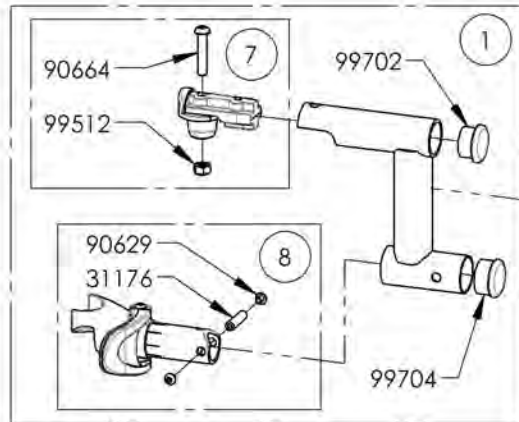
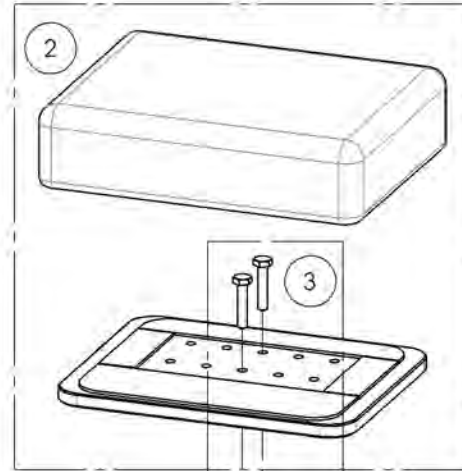
**Footrests Catalogue**  
**Stump Supports - Swing-In/Swing-Out**

ITEM NO.	PARTNO	DESCRIPTION	QTY.
1	9002416	Stump Support - Swing-In/Swing-Out, Right, 7 x 9 in	1
2	9002417	Stump Support - Swing-In/Swing-Out, Left, 7 x 9 in	1
3	9001358	Stump Support - Swing-In/Swing-Out, Right, 8 x 11 in	1
4	9001359	Stump Support - Swing-In/Swing-Out, Left, 8 x 11 in	1



MAKE SURE TO HAVE YOUR SERIAL NUMBER  
 NEARBY WHEN ORDERING PARTS FOR YOUR  
 MOTION COMPOSITES WHEELCHAIR

**9002416**  
**Residual Limb Support - Swing-In/Swing-Out, Right, 7 x 9 in**

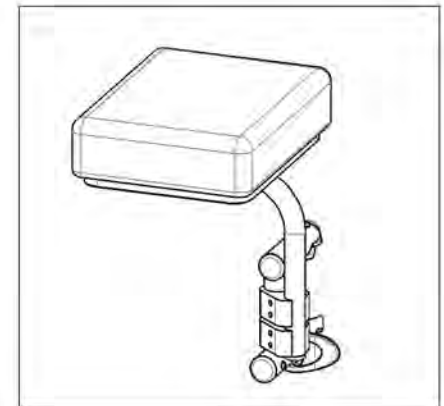
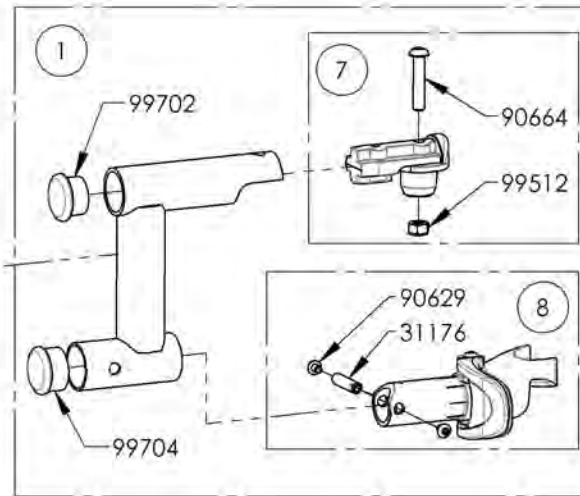
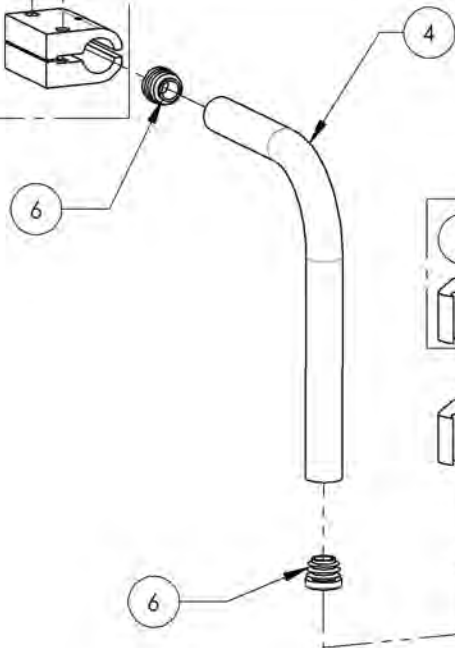
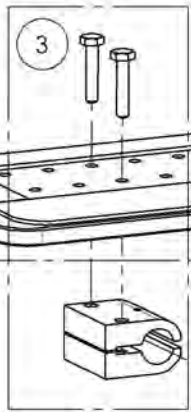
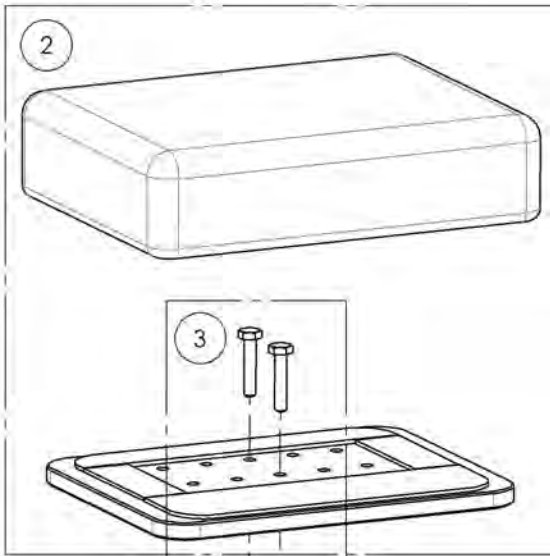


ITEM NO.	PARTNO	DESCRIPTION	9002416 /QTY.	REPLACEMENT PARTS/QTY.
1	31581	V2 UNIVERSAL LEGREST HANGER RIGHT - ASSEMBLY	1	-
2	31296	RESIDUAL LIMB SUPPORT PAD & BASE PLATE 7 x 9in - ASSY	1	-
3	31323	RESIDUAL LIMB SUPPORT STRUCTURE CLAMP	1	-
4	31322	RESIDUAL LIMB SUPPORT STRUCTURE TUBE	1	-
5	41703	0.75-1 in CLAMP - ASSY.	2	-
6	99701	CAP 0.75 in	2	-
7	31551	V2 FOOTREST PIVOT - ASSEMBLY	-	1
8	31550	V2 FOOTREST HOUSING RIGHT - ASSEMBLY	-	1

MAKE SURE TO HAVE YOUR SERIAL NUMBER NEARBY WHEN ORDERING PARTS FOR YOUR MOTION COMPOSITES WHEELCHAIR

**9002417**  
**Residual Limb Support - Swing-In/Swing-Out, Left, 7 x 9 in**

ITEM NO.	PARTNO	DESCRIPTION	9002417 /QTY.	REPLACEMENT PARTS/QTY.
1	31580	V2 UNIVERSAL LEGREST HANGER LEFT - ASSEMBLY	1	-
2	31296	RESIDUAL LIMB SUPPORT PAD & BASE PLATE 7 x 9in - ASSY	1	-
3	31323	RESIDUAL LIMB SUPPORT STRUCTURE CLAMP	1	-
4	31322	RESIDUAL LIMB SUPPORT STRUCTURE TUBE	1	-
5	41703	0,75-1 in CLAMP - ASSY	2	-
6	99701	CAP 0.75 in	2	-
7	31551	V2 FOOTREST PIVOT - ASSEMBLY	-	1
8	31549	V2 FOOTREST HOUSING LEFT - ASSEMBLY	-	1

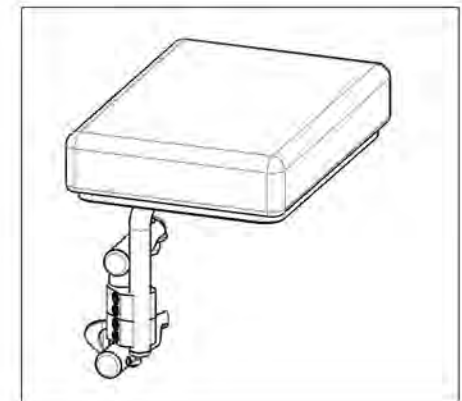
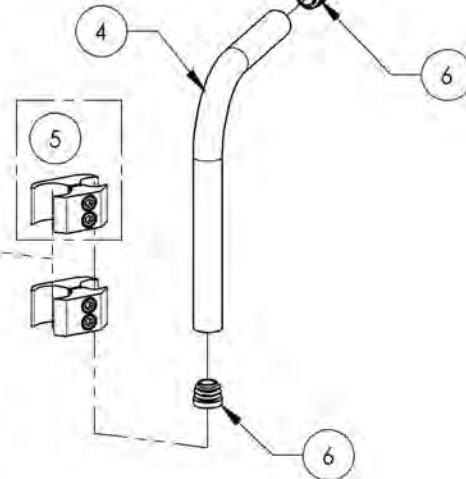
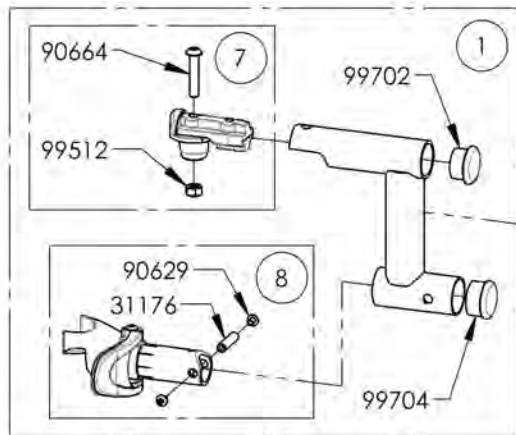
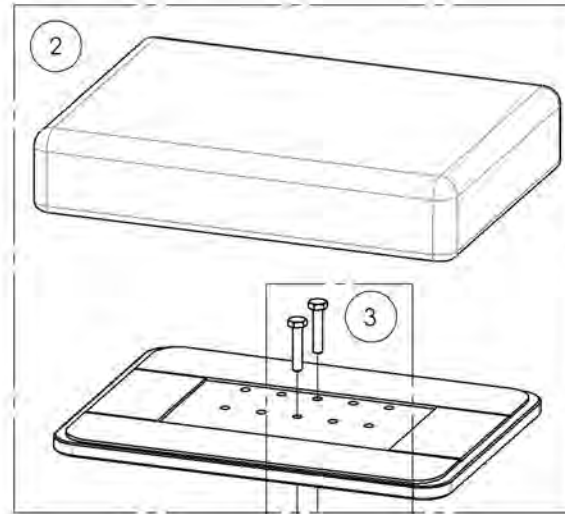


MAKE SURE TO HAVE YOUR SERIAL NUMBER NEARBY WHEN ORDERING PARTS FOR YOUR MOTION COMPOSITES WHEELCHAIR



**9001358**  
**Residual Limb Support - Swing-In/Swing-Out, Right, 8 x 11 in**

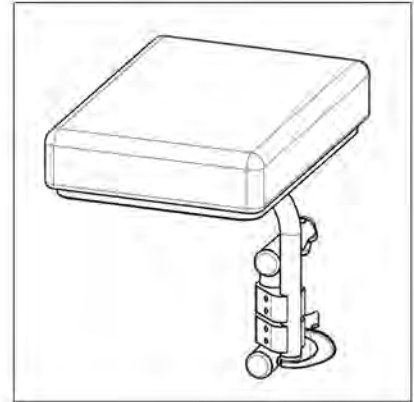
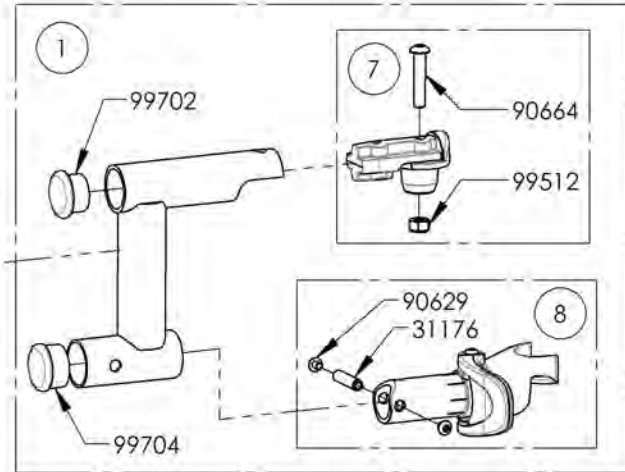
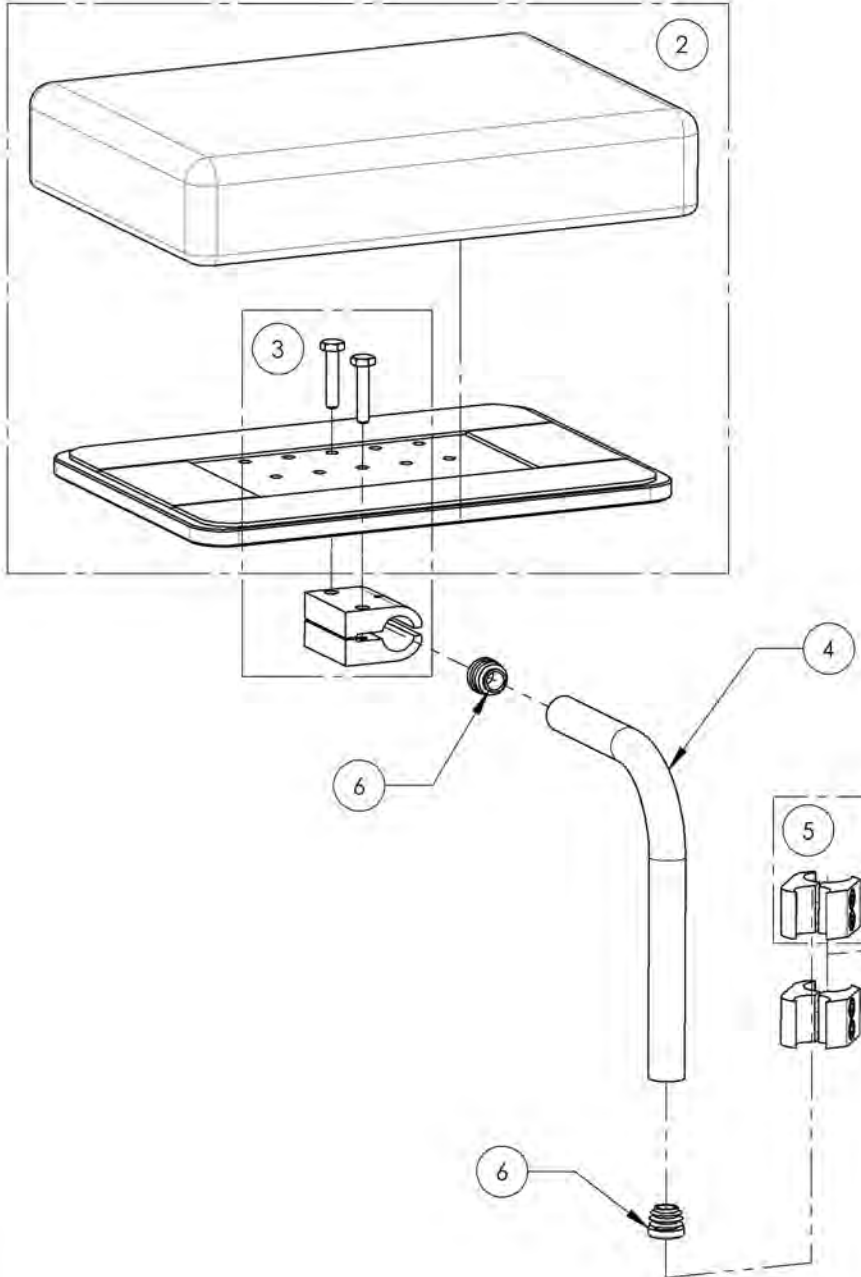
ITEM NO.	PARTNO	DESCRIPTION	9001358 /QTY.	REPLACEMENT PARTS/QTY.
1	31581	V2 UNIVERSAL LEGREST HANGER RIGHT - ASSEMBLY	1	-
2	31153	RESIDUAL LIMB SUPPORT PAD & BASE PLATE 8 x 11 in - ASSY	1	-
3	31323	RESIDUAL LIMB SUPPORT STRUCTURE CLAMP	1	-
4	31322	RESIDUAL LIMB SUPPORT STRUCTURE TUBE	1	-
5	41703	0.75-1 in CLAMP - ASSY	2	-
6	99701	CAP 0.75 in	2	-
7	31551	V2 FOOTREST PIVOT - ASSEMBLY	-	1
8	31550	V2 FOOTREST HOUSING RIGHT - ASSEMBLY	-	1



MAKE SURE TO HAVE YOUR SERIAL NUMBER NEARBY WHEN ORDERING PARTS FOR YOUR MOTION COMPOSITES WHEELCHAIR

**9001359**  
**Residual Limb Support - Swing-In/Swing-Out, Left, 8 x 11 in**

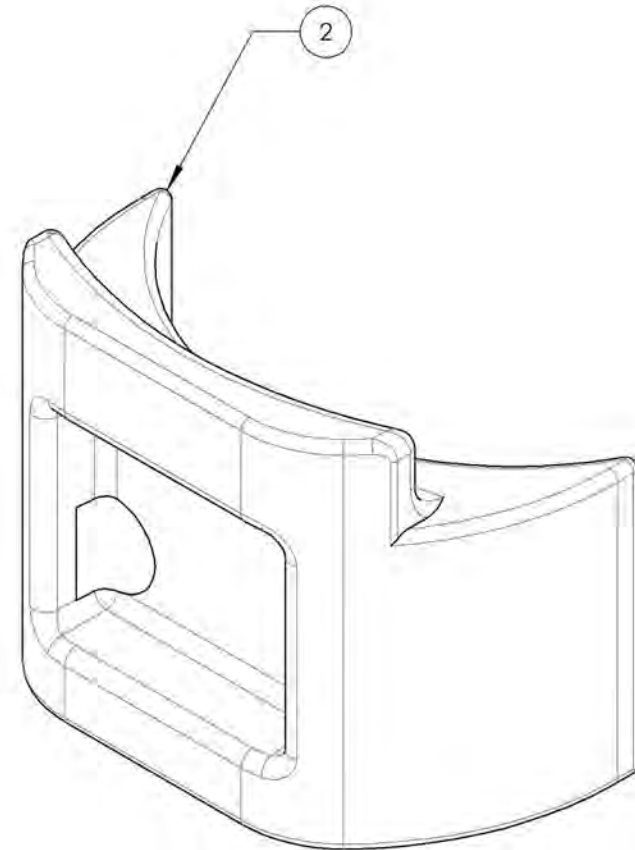
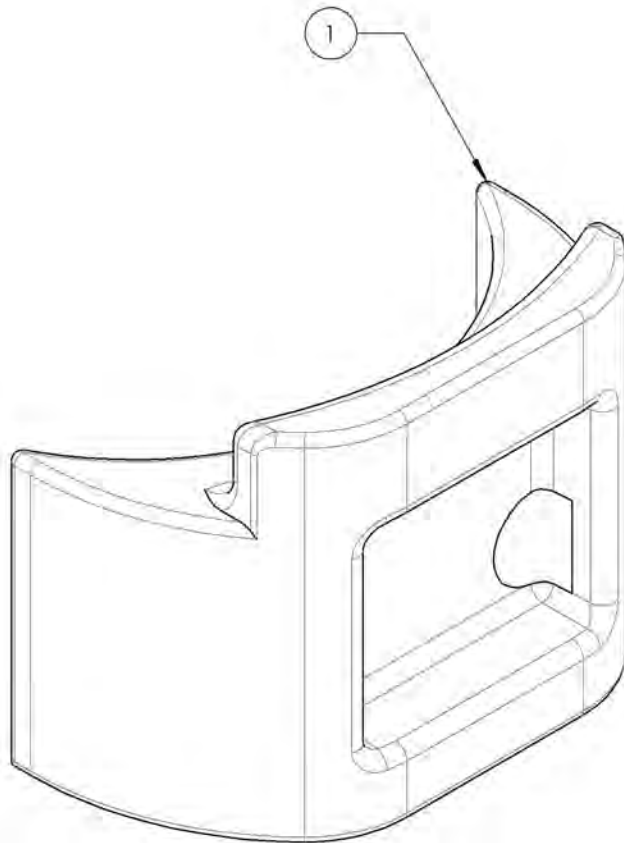
ITEM NO.	PARTNO	DESCRIPTION	9001359 /QTY.	REPLACEMENT PARTS/QTY.
1	31580	V2 UNIVERSAL LEGREST HANGER LEFT - ASSEMBLY	1	-
2	31153	RESIDUAL LIMB SUPPORT PAD & BASE PLATE 8 x 11 in - ASSY	1	-
3	31323	RESIDUAL LIMB SUPPORT STRUCTURE CLAMP	1	-
4	31322	RESIDUAL LIMB SUPPORT STRUCTURE TUBE	1	-
5	41703	0.75-1 in CLAMP - ASSY	2	-
6	99701	CAP 0.75 in	2	-
7	31551	V2 FOOTREST PIVOT - ASSEMBLY	-	1
8	31549	V2 FOOTREST HOUSING LEFT - ASSEMBLY	-	1



MAKE SURE TO HAVE YOUR SERIAL NUMBER NEARBY WHEN ORDERING PARTS FOR YOUR MOTION COMPOSITES WHEELCHAIR

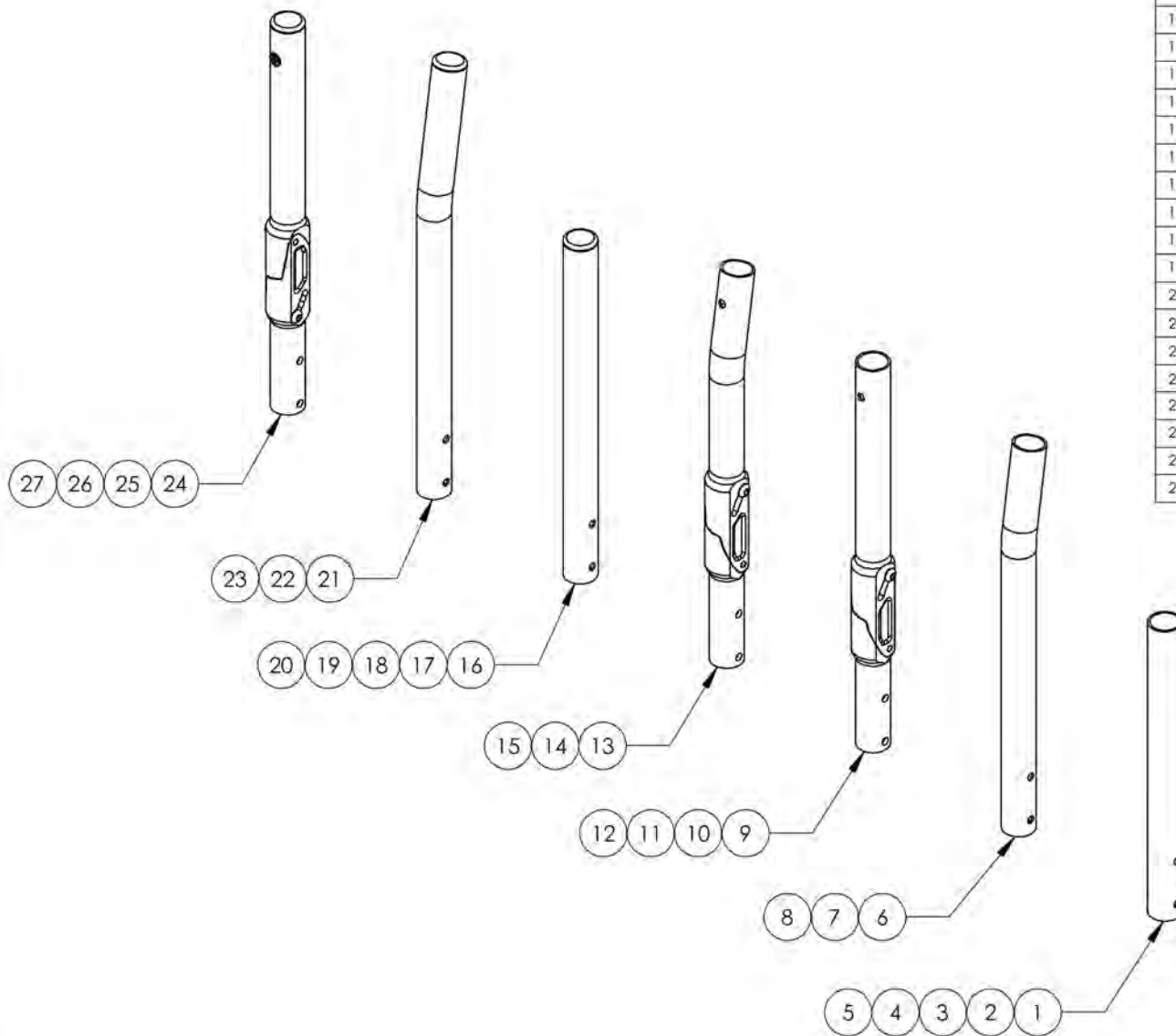
**Footrests Catalogue**  
**Footrest Anchors 20°**

ITEM NO.	PARTNO	DESCRIPTION	QTY.
1	9001644	Footrest - Anchor, Right 20°	1
2	9001645	Footrest - Anchor, Left 20°	1



MAKE SURE TO HAVE YOUR SERIAL NUMBER  
NEARBY WHEN ORDERING PARTS FOR YOUR  
MOTION COMPOSITES WHEELCHAIR

**Backrests Catalogue  
Carbon Back Canes**



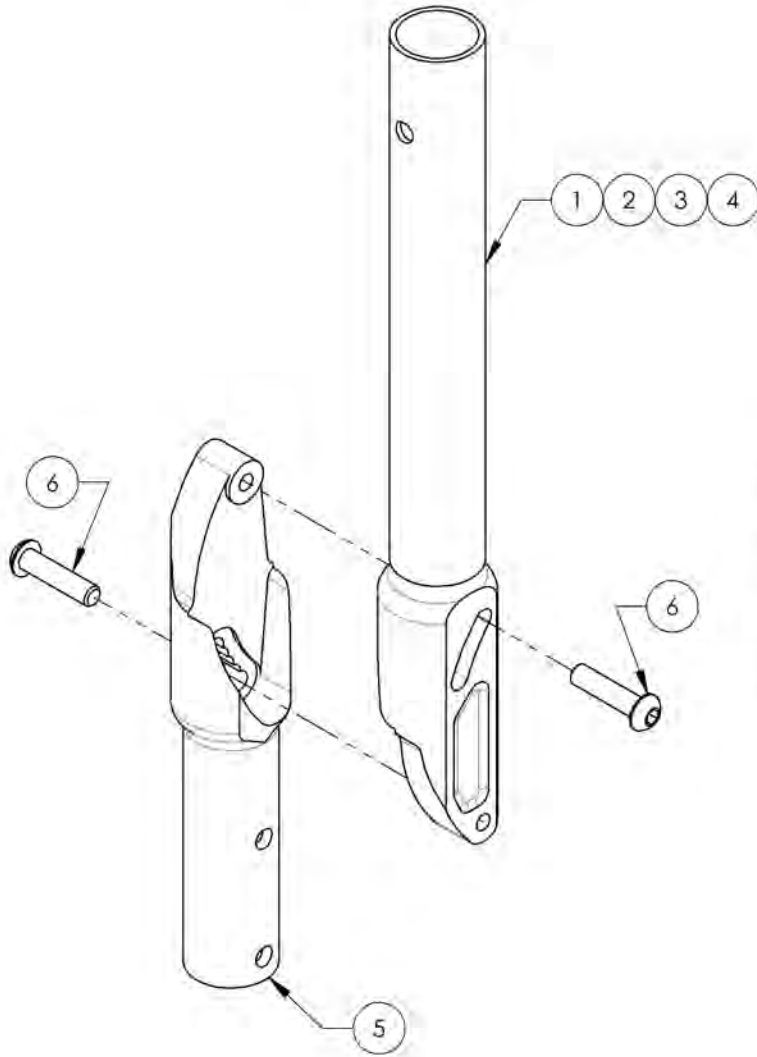
ITEM NO.	PARTNO	DESCRIPTION	QTY.
1	9001239	Back Cane - Carbon Fiber, Straight, 9-12 in	1
2	9001240	Back Cane - Carbon Fiber, Straight, 12-15 in	1
3	9001241	Back Cane - Carbon Fiber, Straight, 15-18 in	1
4	9001242	Back Cane - Carbon Fiber, Straight, 18-21 in	1
5	9001243	Back Cane - Carbon Fiber, Straight, 21- 24 in	1
6	9001244	Back Cane - Carbon Fiber, 8° bend, 13½-15 in	1
7	9001245	Back Cane - Carbon Fiber, 8° bend, 15-18 in	1
8	9001246	Back Cane - Carbon Fiber, 8° bend, 18-21 in	1
9	9001247	Back Cane - Carbon Fiber, Angle adjustable, Straight, 12-15 in	1
10	9001248	Back Cane - Carbon Fiber, Angle adjustable, Straight, 15-18 in	1
11	9001249	Back Cane - Carbon Fiber, Angle adjustable, Straight, 18-21 in	1
12	9001250	Back Cane - Carbon Fiber, Angle adjustable, Straight, 21- 24 in	1
13	9001005	Back Cane - Carbon Fiber, Angle Adjustable, 8° bend, 13½-15 in	1
14	9001251	Back Cane - Carbon Fiber, Angle adjustable, 8° bend, 15-18 in	1
15	9001252	Back Cane - Carbon Fiber, Angle adjustable, 8° bend, 18-21 in	1
16	9002875	Back Cane - Carbon Fiber, Straight, Fixed, 9 in	1
17	9001253	Back Cane - Carbon Fiber, Straight, Fixed 12 in	1
18	9001254	Back Cane - Carbon Fiber, Straight, Fixed 15 in	1
19	9001255	Back Cane - Carbon Fiber, Straight, Fixed 18 in	1
20	9001256	Back Cane - Carbon Fiber, Straight, Fixed 21 in	1
21	9001257	Back Cane - Carbon Fiber, 8° bend, Fixed 13½ in	1
22	9001258	Back Cane - Carbon Fiber, 8° bend, Fixed 15 in	1
23	9001259	Back Cane - Carbon Fiber, 8° bend, Fixed 18 in	1
24	9001260	Back Cane - Carbon Fiber, Angle adjustable, Fixed 13.5 in	1
25	9001261	Back Cane - Carbon Fiber, Angle adjustable, Fixed 15 in	1
26	9001262	Back Cane - Carbon Fiber, Angle adjustable, Fixed 18 in	1
27	9001263	Back Cane - Carbon Fiber, Angle adjustable, Fixed 21 in	1

MAKE SURE TO HAVE YOUR SERIAL NUMBER  
NEARBY WHEN ORDERING PARTS FOR YOUR  
MOTION COMPOSITES WHEELCHAIR

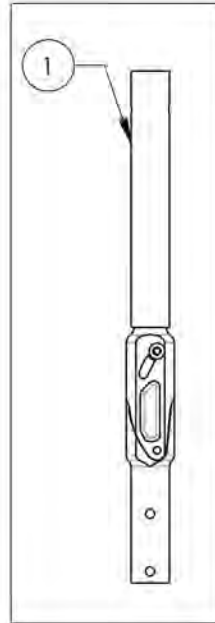
**9001247\_9001250**

**Back Cane - Carbon Fiber, Angle adjustable, Straight**

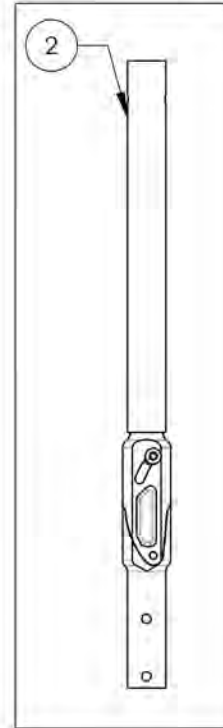
ITEM NO.	PARTNO	DESCRIPTION	9001247 /QTY.	9001248 /QTY.	9001249 /QTY.	9001250 /QTY.
1	32520	CARBON FIBER ADJUSTABLE ANGLE BACK CANE 13.5"-15" (M)	1	-	-	-
2	32521	CARBON FIBER ADJUSTABLE ANGLE BACK CANE 15"-18" (M)	-	1	-	-
3	32522	CARBON FIBER ADJUSTABLE ANGLE BACK CANE 18"-21" (M)	-	-	1	-
4	32527	CARBON FIBER ADJUSTABLE ANGLE BACK CANE 21"-24" (M)	-	-	-	1
5	32037	LOWER ADJUSTABLE BACKREST (M)	1	1	1	1
6	90663	BUTTON HEAD CAP SCREW M6X1 X 25mm LONG, FULLY THREADED	2	2	2	2



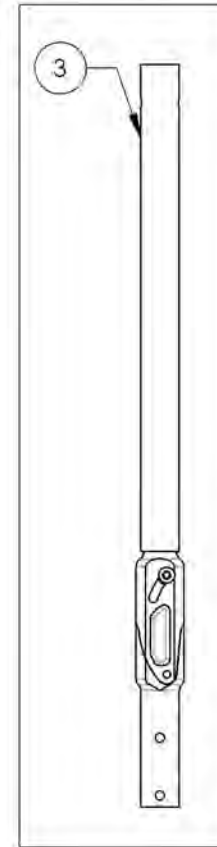
9001247  
Back Cane -  
Carbon Fiber, Angle  
adjustable, Straight,  
12-15 in



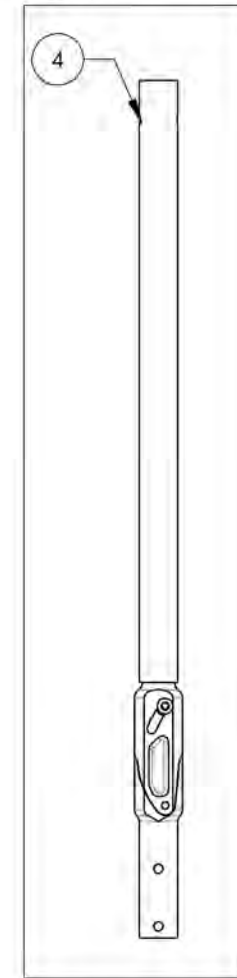
9001248  
Back Cane -  
Carbon Fiber, Angle  
adjustable, Straight,  
15-18 in



9001249  
Back Cane -  
Carbon Fiber,  
Angle adjustable,  
Straight, 18-21 in



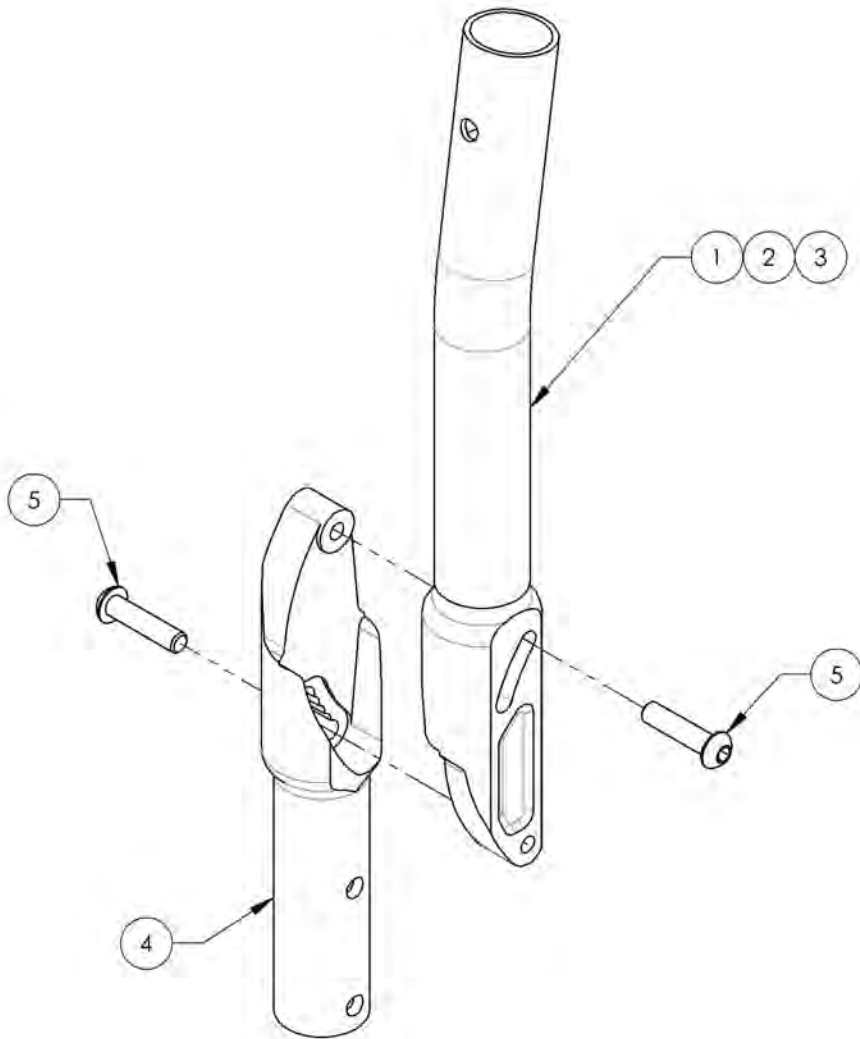
9001250  
Back Cane -  
Carbon Fiber, Angle  
adjustable, Straight,  
21-24 in



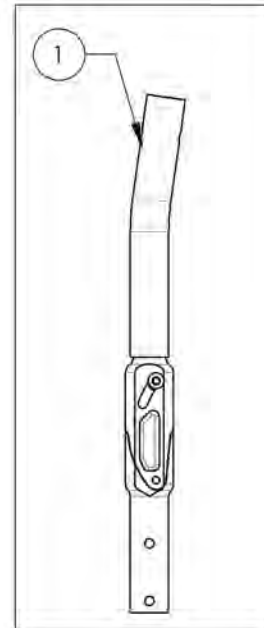
MAKE SURE TO HAVE YOUR SERIAL NUMBER  
NEARBY WHEN ORDERING PARTS FOR YOUR  
MOTION COMPOSITES WHEELCHAIR

**9001005 & 9001251 9001252**  
**Back Cane - Carbon Fiber, Angle adjustable, 8° bend**

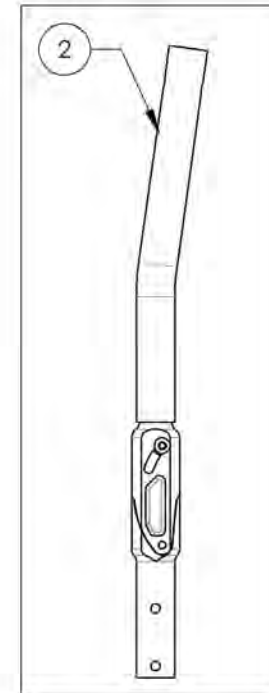
ITEM NO.	PARTNO	DESCRIPTION	9001005 /QTY.	9001251 /QTY.	9001252 /QTY.
1	32523	CARBON FIBER ADJUSTABLE ANGLE 8 DEG BEND BACK CANE 13½-15in (M)	1	-	-
2	32524	CARBON FIBER ADJUSTABLE ANGLE 8 DEG BEND BACK CANE 15-18in (M)	-	1	-
3	32525	CARBON FIBER ADJUSTABLE ANGLE 8 DEG BEND BACK CANE 18-21in (M)	-	-	1
4	32037	LOWER ADJUSTABLE BACKREST (M)	1	1	1
5	90663	BUTTON HEAD CAP SCREW M6X1 X 25mm LONG, FULLY THREADED	2	2	2



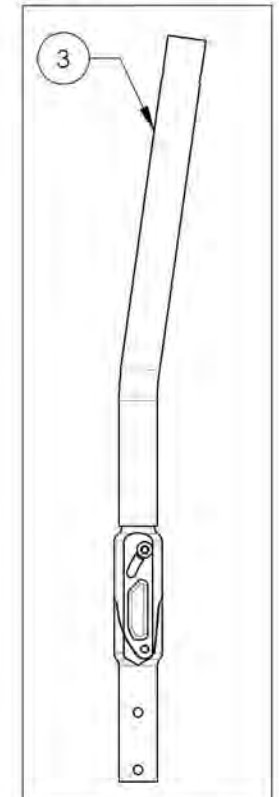
9001005  
 Back Cane - Carbon  
 Fiber, Angle  
 Adjustable, 8° bend,  
 13½-15 in



9001251  
 Back Cane - Carbon  
 Fiber, Angle  
 adjustable, 8° bend,  
 15-18 in



9001252  
 Back Cane - Carbon  
 Fiber, Angle  
 adjustable, 8° bend,  
 18-21 in

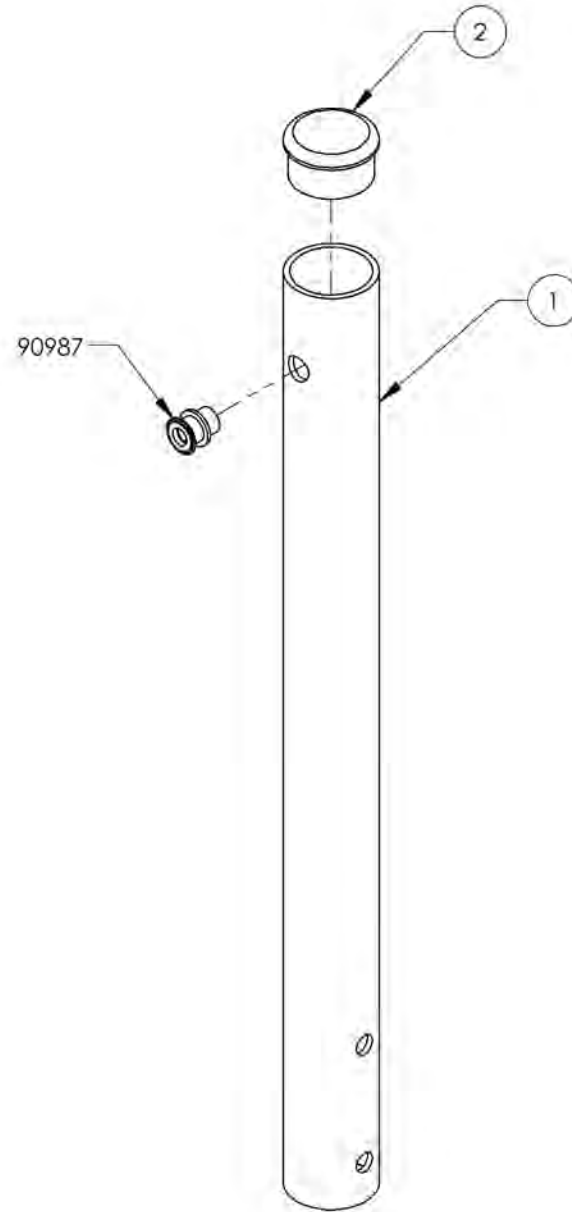


MAKE SURE TO HAVE YOUR SERIAL NUMBER  
 NEARBY WHEN ORDERING PARTS FOR YOUR  
 MOTION COMPOSITES WHEELCHAIR



**9002875**  
**Back Cane - Carbon Fiber, Straight, Fixed, 9 in**

ITEM NO.	PARTNO	DESCRIPTION	QTY.
1	3211B	CARBON STRAIGHT BACK CANE 9 in NO PUSH HANDLE (M)	1
2	99704	CAP 1 IN CARBON	1

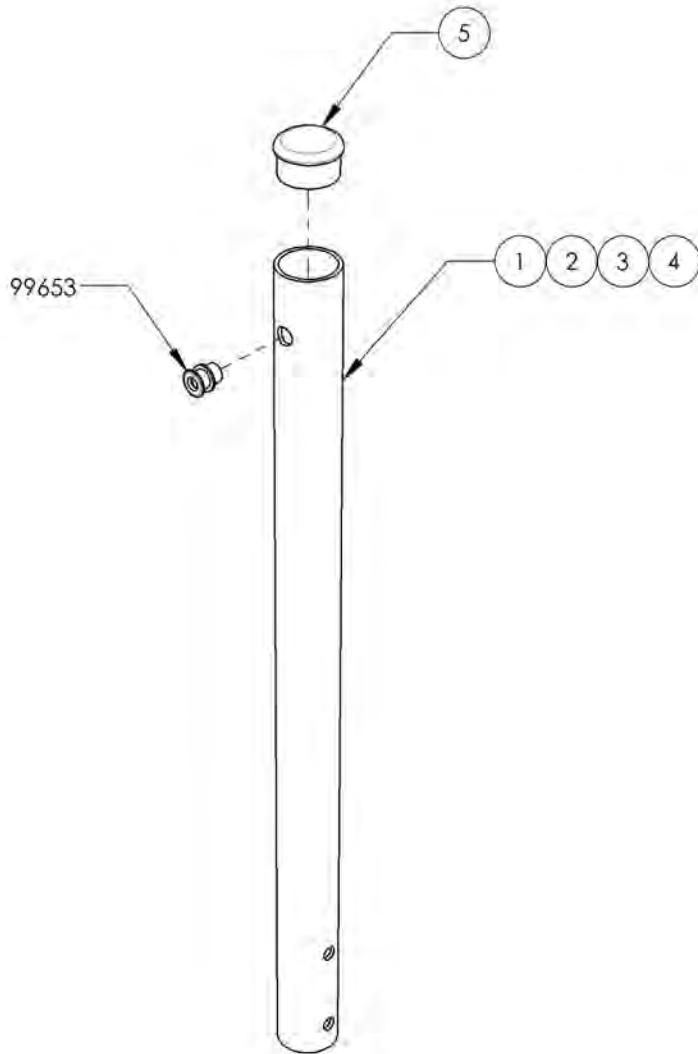


MAKE SURE TO HAVE YOUR SERIAL NUMBER  
NEARBY WHEN ORDERING PARTS FOR YOUR  
MOTION COMPOSITES WHEELCHAIR

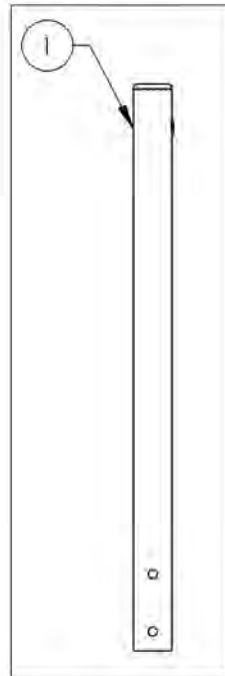
**9001253\_9001256**

**Back Cane - Carbon Fiber, Straight, Fixed Height**

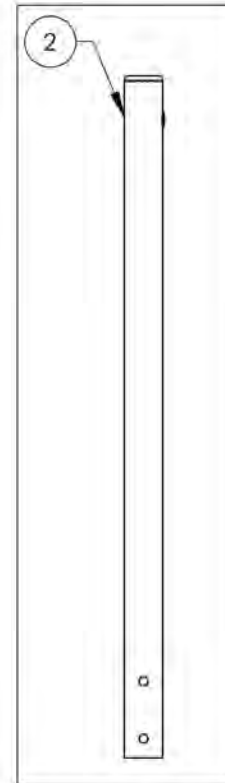
ITEM NO.	PARTNO	DESCRIPTION	9001253 /QTY.	9001254 /QTY.	9001255 /QTY.	9001256 /QTY.
1	32039	CARBON STRAIGHT BACK CANE 12' NO PUSH HANDLE (M)	1	-	-	-
2	32040	CARBON STRAIGHT BACK CANE 15' NO PUSH HANDLE (M)	-	1	-	-
3	32041	CARBON STRAIGHT BACK CANE 18' NO PUSH HANDLE (M)	-	-	1	-
4	32042	CARBON STRAIGHT BACK CANE 21' NO PUSH HANDLE (M)	-	-	-	1
5	99704	CAP 1 IN CARBON	1	1	1	1



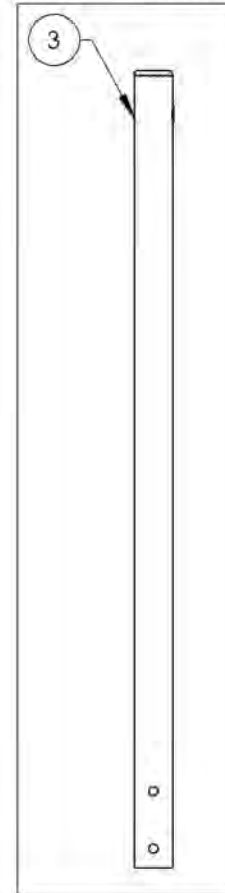
9001253  
Back Cane - Carbon  
Fiber, Straight, Fixed  
12 in



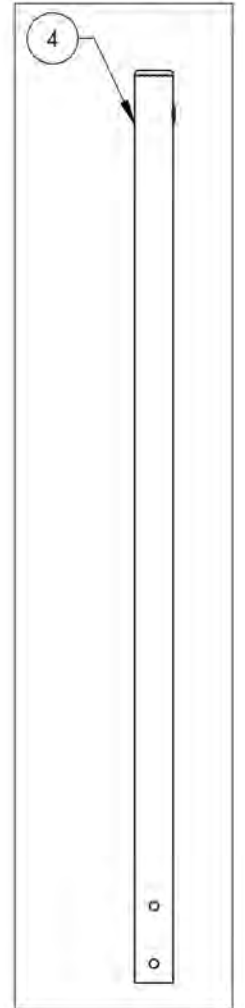
9001254  
Back Cane - Carbon  
Fiber, Straight, Fixed  
15 in



9001255  
Back Cane -  
Carbon Fiber,  
Straight, Fixed 18 in



9001256  
Back Cane -  
Carbon Fiber,  
Straight, Fixed 21 in

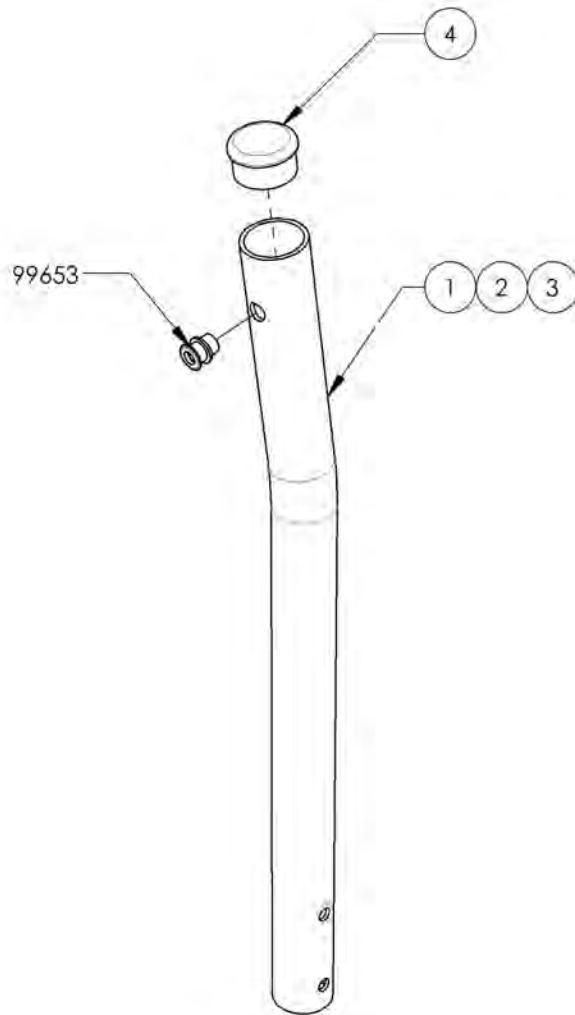


MAKE SURE TO HAVE YOUR SERIAL NUMBER  
NEARBY WHEN ORDERING PARTS FOR YOUR  
MOTION COMPOSITES WHEELCHAIR

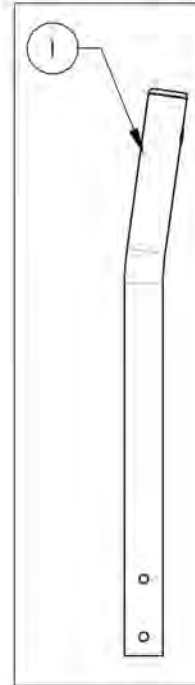
**9001257\_9001259**

**Back Cane - Carbon Fiber, 8° bend, Fixed Height**

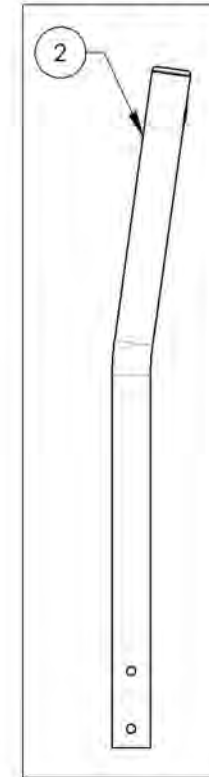
ITEM NO.	PARTNO	DESCRIPTION	9001257 /QTY.	9001258 /QTY.	9001259 /QTY.
1	32043	CARBON 8° BEND BACK CANE 13½" NO PUSH HANDLE (M)	1	-	-
2	32044	CARBON 8° BEND BACK CANE 15" NO PUSH HANDLE (M)	-	1	-
3	32045	CARBON 8° BEND BACK CANE 18" NO PUSH HANDLE (M)	-	-	1
4	99704	CAP 1 IN CARBON	1	1	1



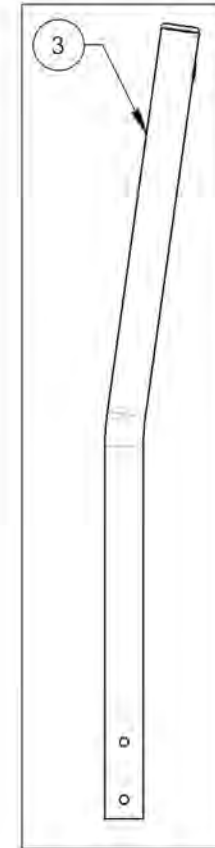
9001257  
Back Cane -  
Carbon Fiber, 8°  
bend, Fixed 13½ in



9001258  
Back Cane -  
Carbon Fiber, 8°  
bend, Fixed 15 in



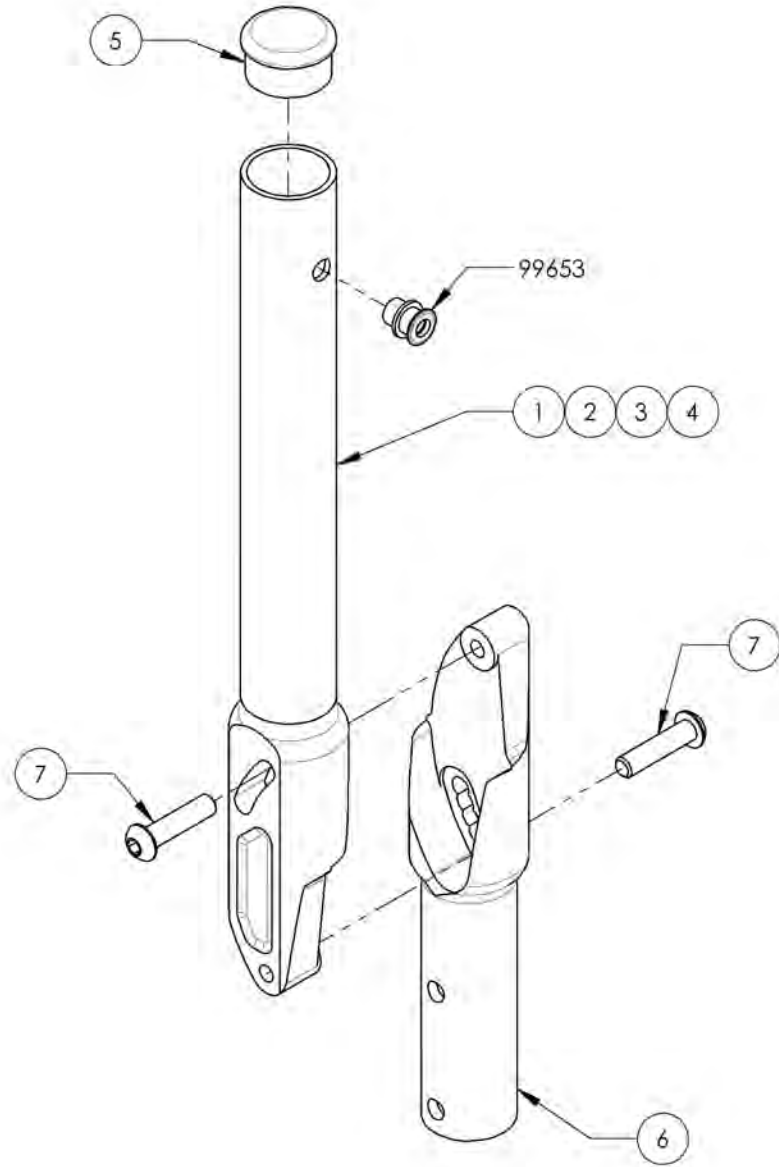
9001259  
Back Cane -  
Carbon Fiber, 8°  
bend, Fixed 18 in



MAKE SURE TO HAVE YOUR SERIAL NUMBER  
NEARBY WHEN ORDERING PARTS FOR YOUR  
MOTION COMPOSITES WHEELCHAIR

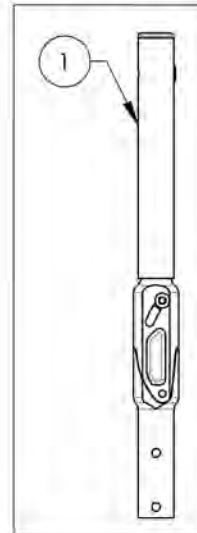
**9001260\_9001263**

**Back Cane - Carbon Fiber, Angle adjustable, Fixed Height**

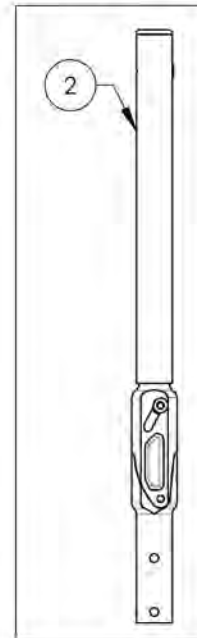


ITEM NO.	PARTNO	DESCRIPTION	9001260 /QTY.	9001261 /QTY.	9001262 /QTY.	9001263 /QTY.
1	32520	CARBON FIBER ADJUSTABLE ANGLE BACK CANE 13.5"-15" (M)	1	-	-	-
2	32521	CARBON FIBER ADJUSTABLE ANGLE BACK CANE 15"-18" (M)	-	1	-	-
3	32522	CARBON FIBER ADJUSTABLE ANGLE BACK CANE 18"-21" (M)	-	-	1	-
4	32527	CARBON FIBER ADJUSTABLE ANGLE BACK CANE 21"-24" (M)	-	-	-	1
5	99704	CAP 1 IN CARBON	1	1	1	1
6	32037	LOWER ADJUSTABLE BACKREST (M)	1	1	1	1
7	90663	BUTTON HEAD CAP SCREW M6X1 X 25mm LONG, FULLY THREADED	2	2	2	2

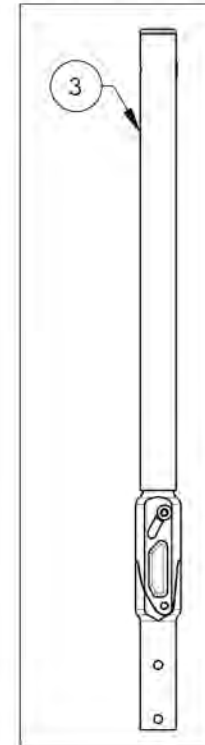
9001260  
Back Cane -  
Carbon Fiber,  
Angle adjustable,  
Fixed 13.5 in



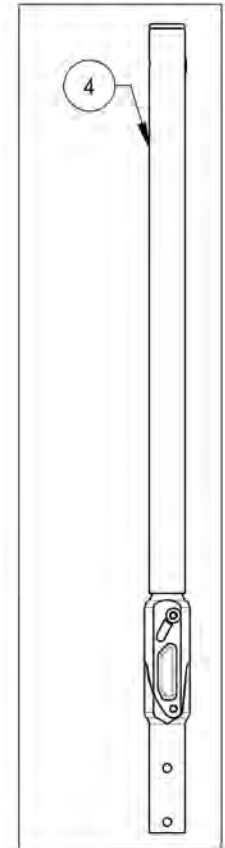
9001261  
Back Cane -  
Carbon Fiber,  
Angle adjustable,  
Fixed 15 in



9001262  
Back Cane -  
Carbon Fiber,  
Angle adjustable,  
Fixed 18 in

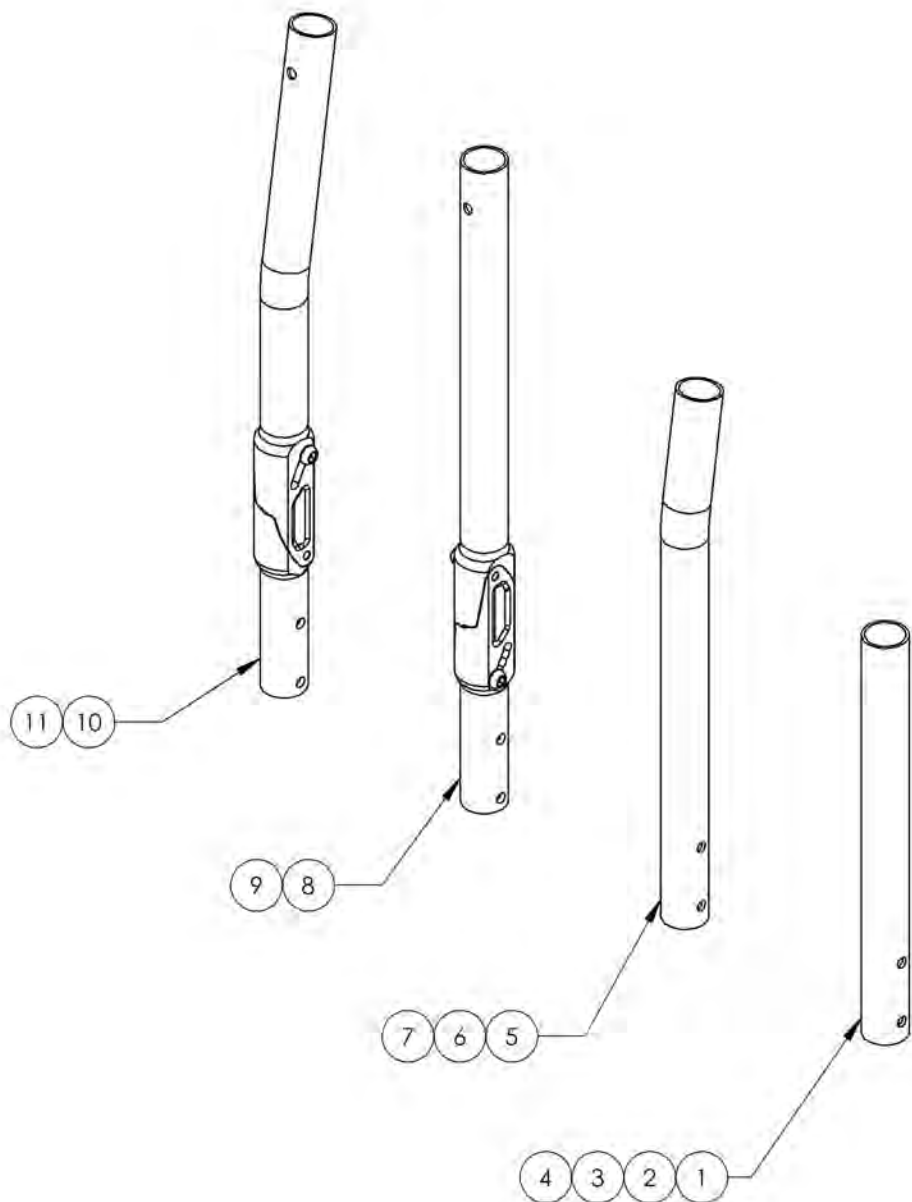


9001263  
Back Cane -  
Carbon Fiber,  
Angle adjustable,  
Fixed 21 in



MAKE SURE TO HAVE YOUR SERIAL NUMBER NEARBY WHEN ORDERING PARTS FOR YOUR MOTION COMPOSITES WHEELCHAIR

**Backrests Catalogue  
Aluminum Back Canes**



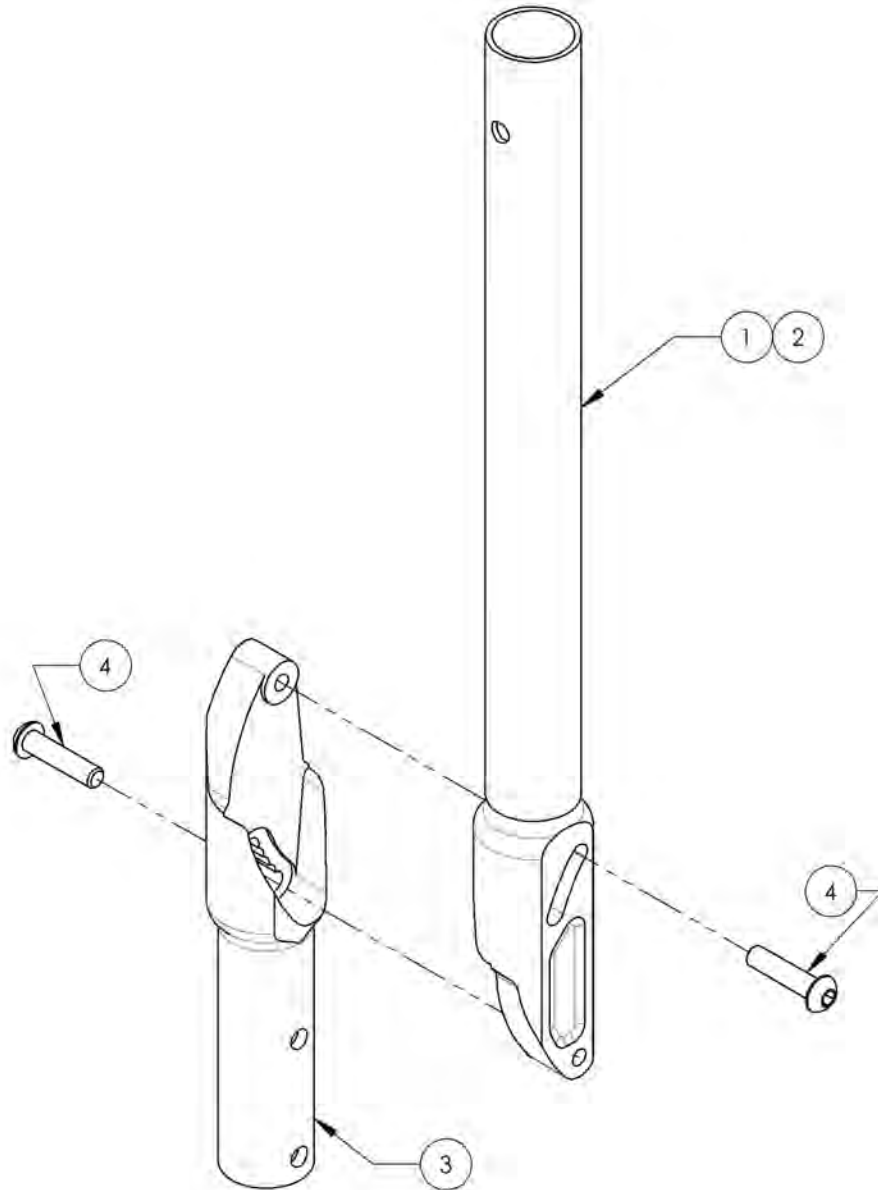
ITEM NO.	PARTNO	DESCRIPTION	QTY.
1	9001264	Back Cane - Aluminum, Straight, 9-12 in	1
2	9001265	Back Cane - Aluminum, Straight, 12-15 in	1
3	9001266	Back Cane - Aluminum, Straight, 15-18 in	1
4	9001267	Back Cane - Aluminum, Straight, 18-21 in	1
5	9001268	Back Cane - Aluminum, 8° bend, 13¼-15 in	1
6	9001269	Back Cane - Aluminum, 8° bend, 15-18 in	1
7	9001270	Back Cane - Aluminum, 8° bend, 18-21 in	1
8	9001271	Back Cane - Aluminum, Angle Adjustable, Straight, 15-18 in	1
9	9001272	Back Cane - Aluminum, Angle Adjustable, Straight, 18-21 in	1
10	9001273	Back Cane - Aluminum, Angle Adjustable, 8° bend, 15-18 in	1
11	9001274	Back Cane - Aluminum, Angle Adjustable, 8° bend, 18-21 in	1

MAKE SURE TO HAVE YOUR SERIAL NUMBER  
NEARBY WHEN ORDERING PARTS FOR YOUR  
MOTION COMPOSITES WHEELCHAIR

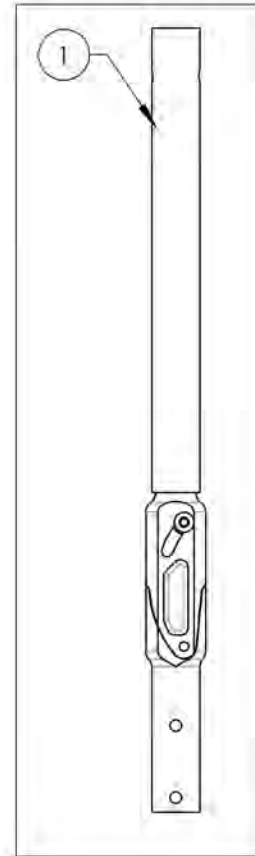
9001271\_9001272

**Back Cane - Aluminum, Angle adjustable, Straight**

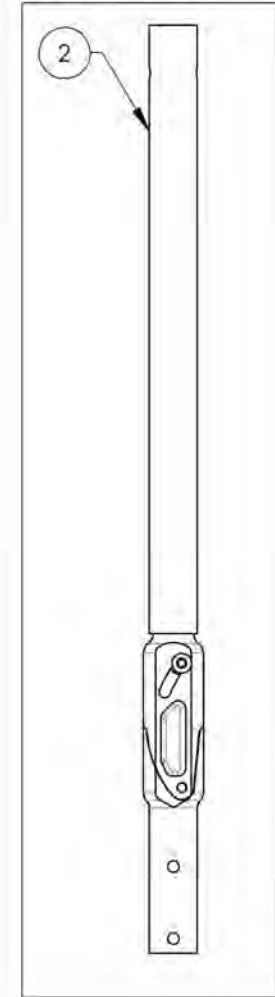
ITEM NO.	PARTNO	DESCRIPTION	9001271 /QTY.	9001272 /QTY.
1	32518	ALUMINUM ADJUSTABLE ANGLE BACK 15"-18" (M)	1	-
2	32519	ALUMINUM ADJUSTABLE ANGLE BACK 18"-21" (M)	-	1
3	32037	LOWER ADJUSTABLE BACKREST (M)	1	1
4	90663	BUTTON HEAD CAP SCREW M6X1 X 25mm LONG, FULLY THREADED	2	2



9001271  
Back Cane - Aluminum,  
Angle Adjustable,  
Straight, 15-18 in



9001272  
Back Cane - Aluminum,  
Angle Adjustable,  
Straight, 18-21 in



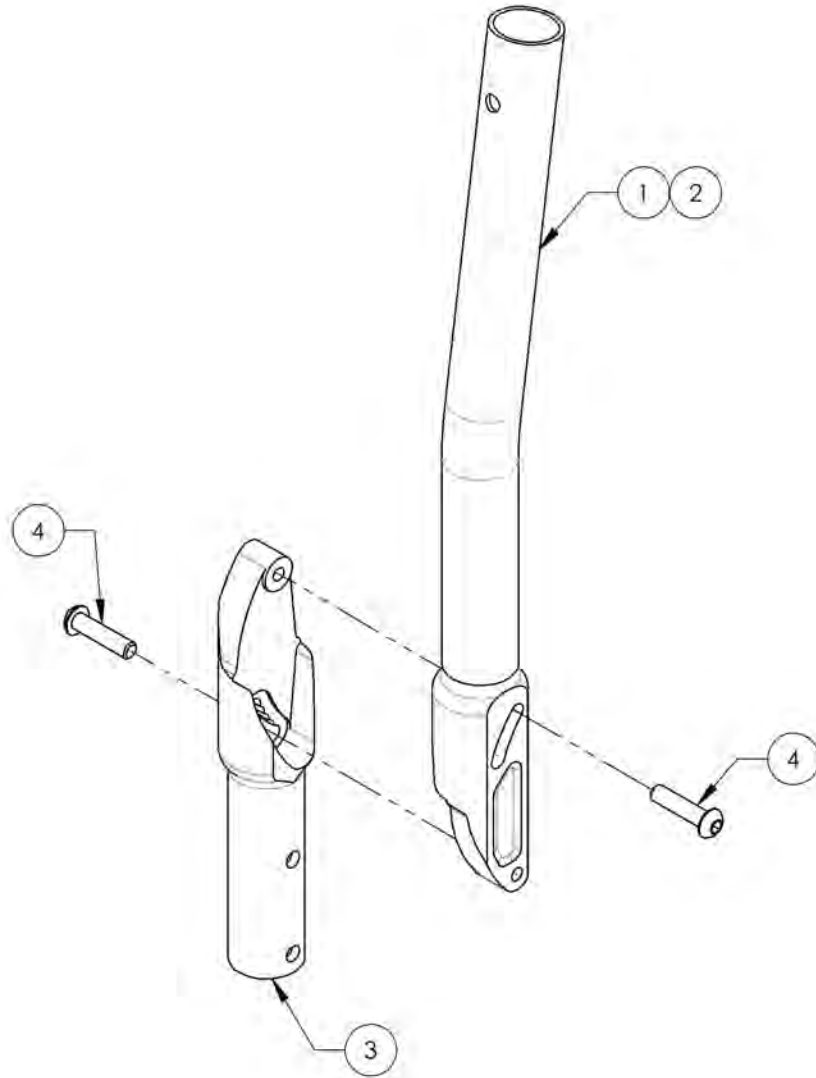
MAKE SURE TO HAVE YOUR SERIAL NUMBER  
NEARBY WHEN ORDERING PARTS FOR YOUR  
MOTION COMPOSITES WHEELCHAIR



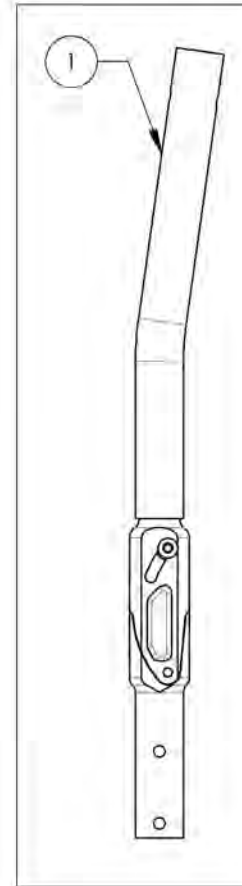
**9001273\_9001274**

**Back Cane - Aluminum, Angle adjustable, 8° bend**

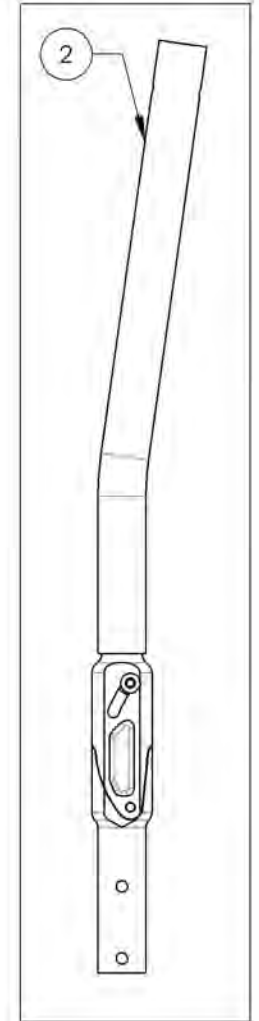
ITEM NO.	PARTNO	DESCRIPTION	9001273 /QTY.	9001274 /QTY.
1	32528	ALUMINUM ADJUSTABLE ANGLE 8° BEND BACK CANE 15"-18" (M)	1	-
2	32529	ALUMINUM ADJUSTABLE ANGLE 8° BEND BACK CANE 18"-21" (M)	-	1
3	32037	LOWER ADJUSTABLE BACKREST (M)	1	1
4	90663	BUTTON HEAD CAP SCREW M6X1 X 25mm LONG, FULLY THREADED	2	2



9001273  
Back Cane - Aluminum,  
Angle Adjustable, 8° bend,  
15-18 in



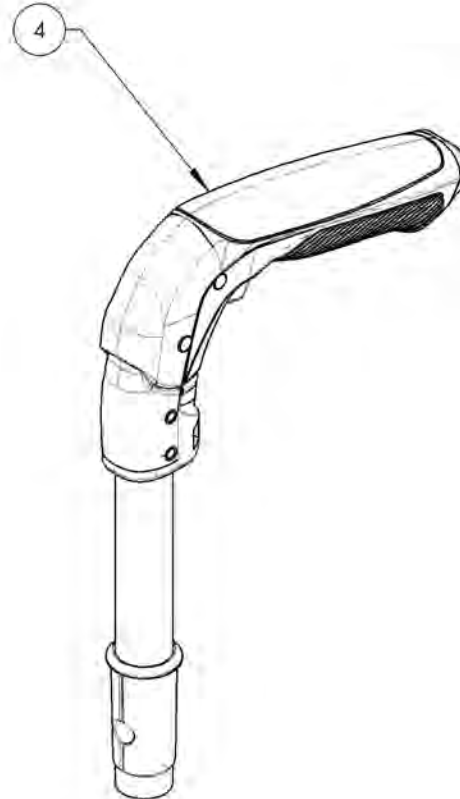
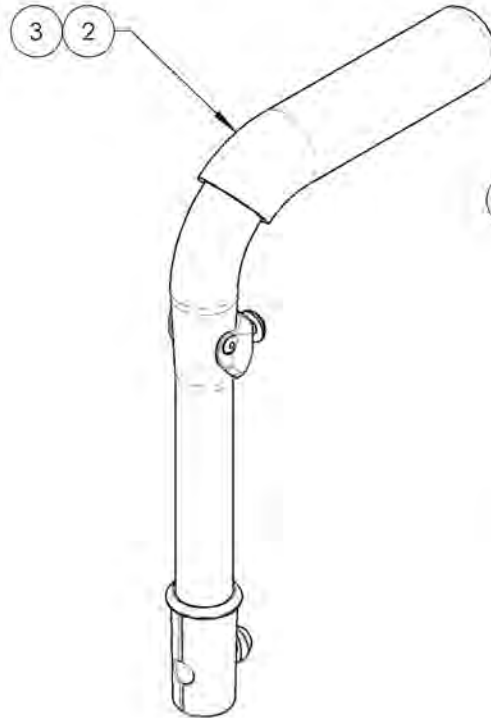
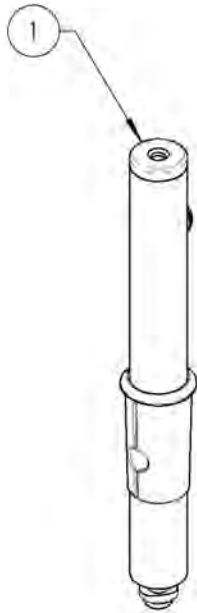
9001274  
Back Cane - Aluminum,  
Angle Adjustable, 8° bend,  
18-21 in



MAKE SURE TO HAVE YOUR SERIAL NUMBER NEARBY WHEN ORDERING PARTS FOR YOUR MOTION COMPOSITES WHEELCHAIR

**Backrest Catalogue**  
**Push Handles & Straight Extension**

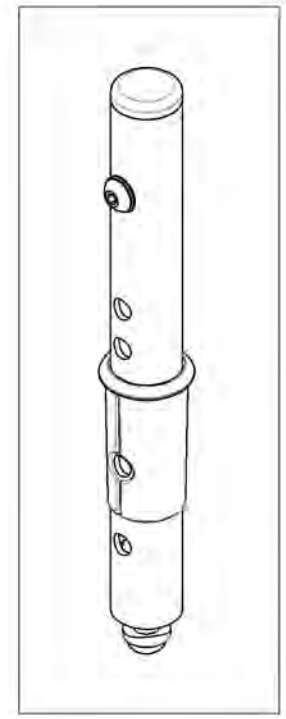
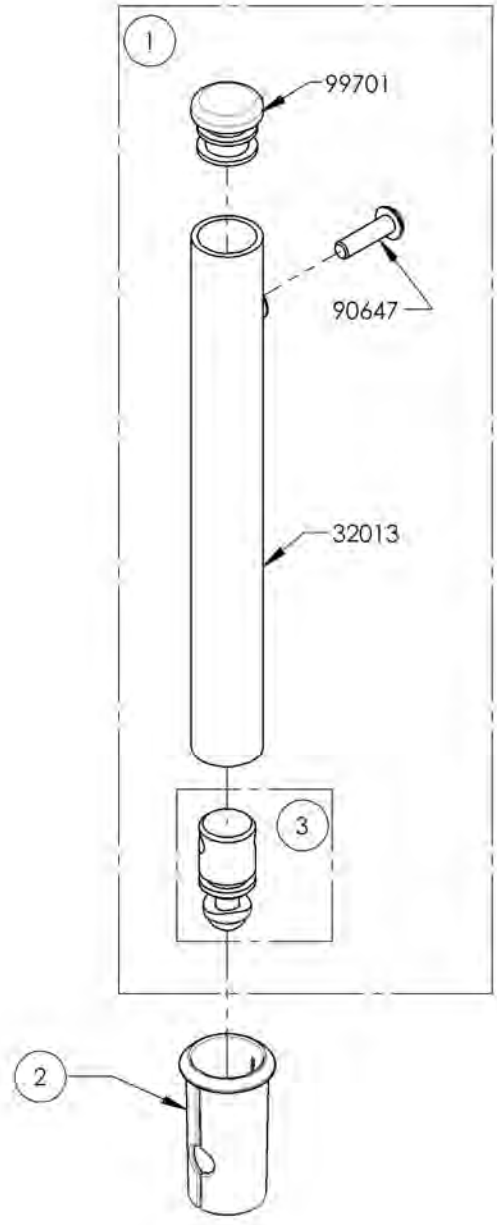
ITEM NO.	PARTNO	DESCRIPTION	QTY
1	9001286	Without Push Handle - Straight Extension	1
2	9001285	Push Handle - Adjustable	1
3	9002915	HD Push Handle - Adjustable	1
4	9003095	Push Handle - Fold Down, Adjustable	1



MAKE SURE TO HAVE YOUR SERIAL NUMBER  
NEARBY WHEN ORDERING PARTS FOR YOUR  
MOTION COMPOSITES WHEELCHAIR

**9001286**  
**Without Push Handle - Straight Extension**

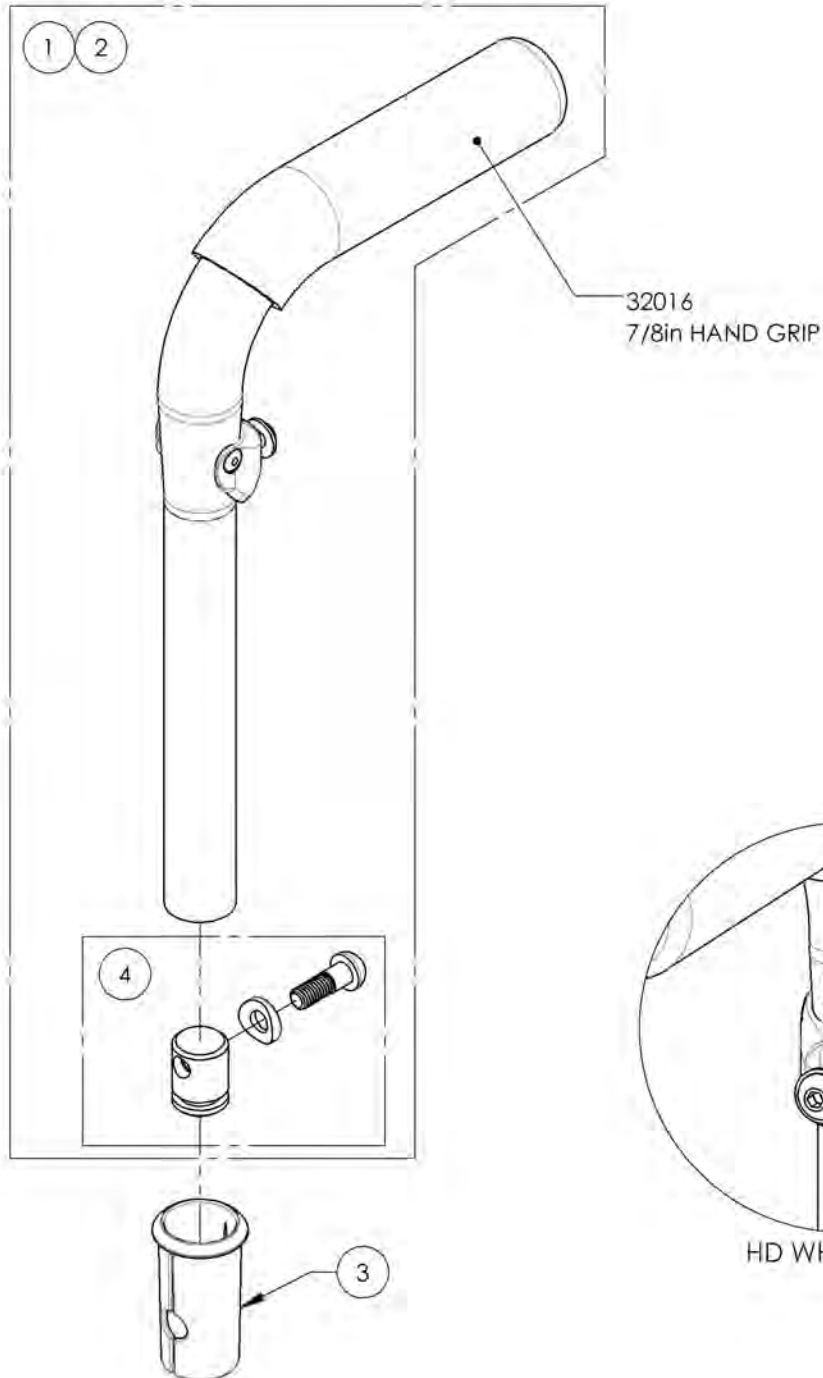
ITEM NO.	PARTNO	DESCRIPTION	9001286 /QTY.	REPLACEMENT PART/QTY.
1	32506	BACK EXTENSION - ASSEMBLY (M)	1	-
2	32017	PUSH HANDLE BACK SLEEVE	1	-
3	32514	DOWEL NUT PUSH HANDLE - ASSEMBLY (M)	-	1



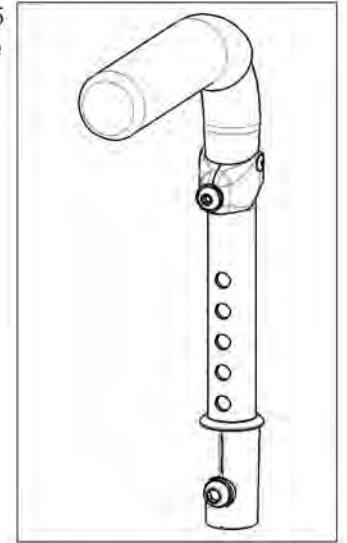
MAKE SURE TO HAVE YOUR SERIAL NUMBER NEARBY WHEN ORDERING PARTS FOR YOUR MOTION COMPOSITES WHEELCHAIR

**9001285 & 9002915  
Standard & HD Push Handle - Adjustable**

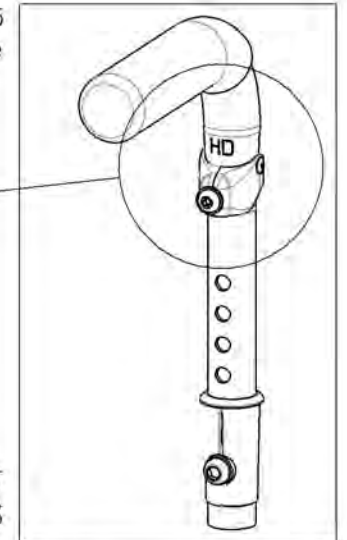
ITEM NO.	PARTNO	DESCRIPTION	9001285 /QTY.	9002915 /QTY.	REPLACEMENT PARTS/QTY.
1	32507	7_8" PUSH HANDLE - ASSEMBLY (M)	1	-	-
2	32533	7_8 in HD PUSH HANDLE - ASSEMBLY	-	1	-
3	32017	PUSH HANDLE BACK SLEEVE	1	1	-
4	32514	DOWEL NUT PUSH HANDLE - ASSEMBLY (M)	-	-	1



9001285  
Push Handle - Adjustable



9002915  
HD Push Handle - Adjustable

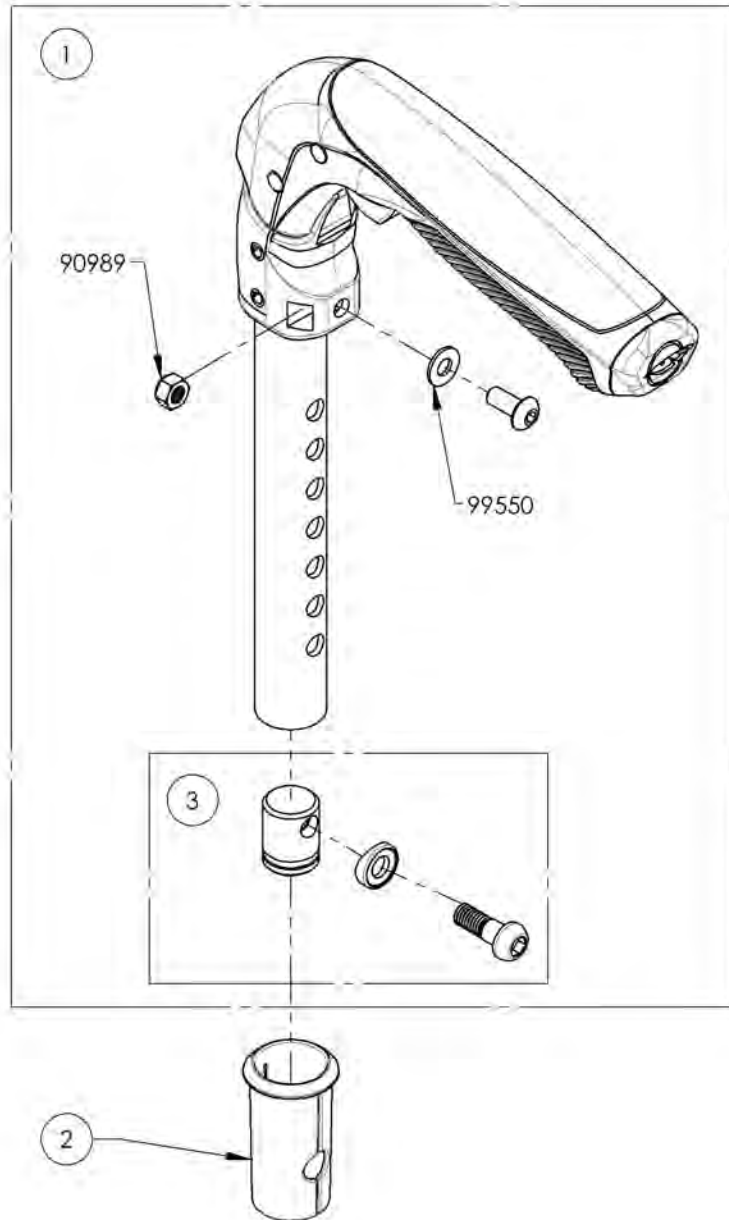


HD WHEELCHAIRS AND STROLLER HANDLE USERS MUST  
USE THE HD VERSION OF THE PUSH HANDLES

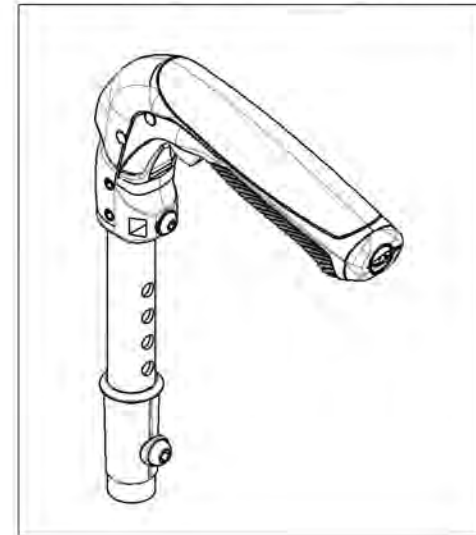
MAKE SURE TO HAVE YOUR SERIAL NUMBER  
NEARBY WHEN ORDERING PARTS FOR YOUR  
MOTION COMPOSITES WHEELCHAIR

**9003095**  
**Push Handle - Fold Down, Adjustable**

ITEM NO.	PARTNO	DESCRIPTION	9003095 /QTY.	REPLACEMENT PARTS/QTY.
1	32542	FOLD DOWN PUSH HANDLE - ASSEMBLY	1	-
2	32017	PUSH HANDLE BACK SLEEVE	1	-
3	32514	DOWEL NUT PUSH HANDLE - ASSEMBLY (M)	-	1



9003095  
 Push Handle - Fold Down, Adjustable

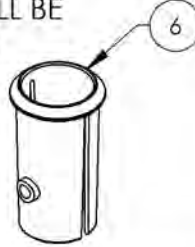


MAKE SURE TO HAVE YOUR SERIAL NUMBER  
 NEARBY WHEN ORDERING PARTS FOR YOUR  
 MOTION COMPOSITES WHEELCHAIR

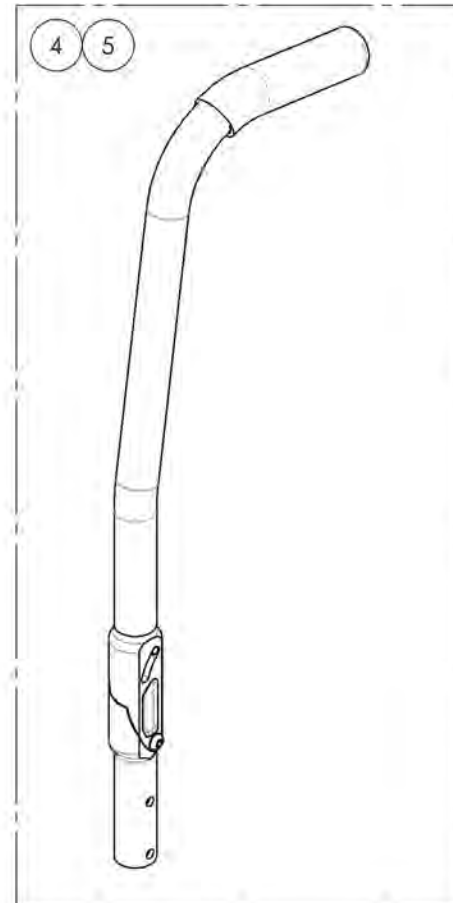
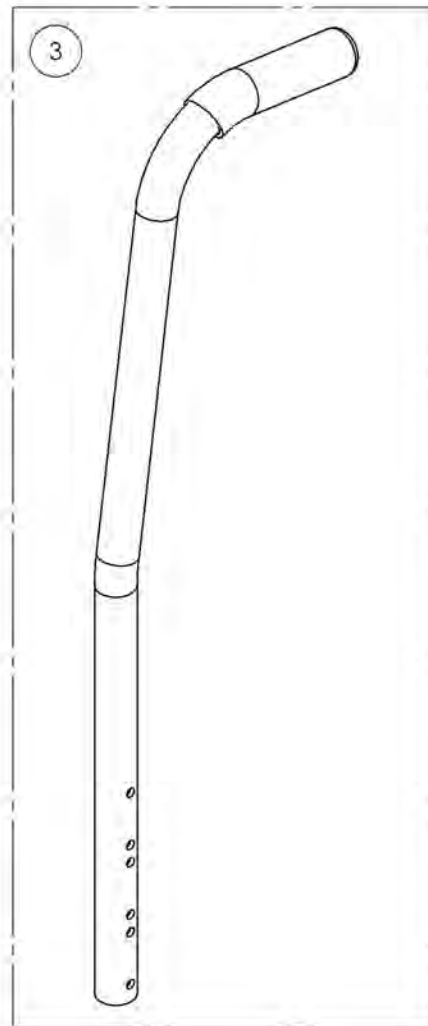
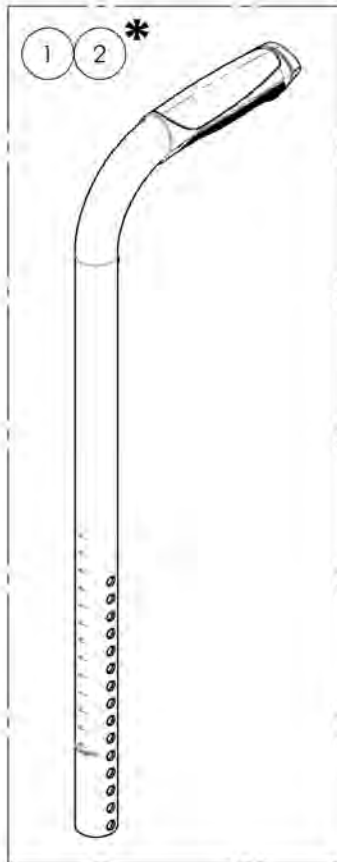
**Backrests Catalogue**  
**Integrated Push Handle Back Canes**

**\*NOTE: USE SLEEVE #9001003 IF ANY OF THESE OPTIONS WILL BE INSTALLED WITH ALUMINUM STRAIGHT BACK CANES WITH INTEGRATED PUSH HANDLE (#9003298 OR #9003299)**

1. STROLLER HANDLE (#9001605 TO #9001613)
2. NEWTON STABILIZER BAR (#9001594 TO #9001604)



ITEM NO.	PARTNO	DESCRIPTION	QTY
1*	9003298	Back Cane - Aluminium, Straight + Integrated Push Handle, 9-15 in	1
2*	9003299	Back Cane - Aluminium, Straight + Integrated Push Handle, 15-21 in	1
3	9001275	Back Cane - Aluminium, 8° bend + Integrated Push Handle, 16, 18 or 20 in	1
4	9001276	Back Cane - Aluminum, Angle Adjustable, 8° bend + Integrated Push Handle, 16 in	1
5	9001277	Back Cane - Aluminum, Angle Adjustable, 8° bend + Integrated Push Handle, 20 in	1
6	9001003	Back Cane - Sleeve for Integrated Push Handle	1

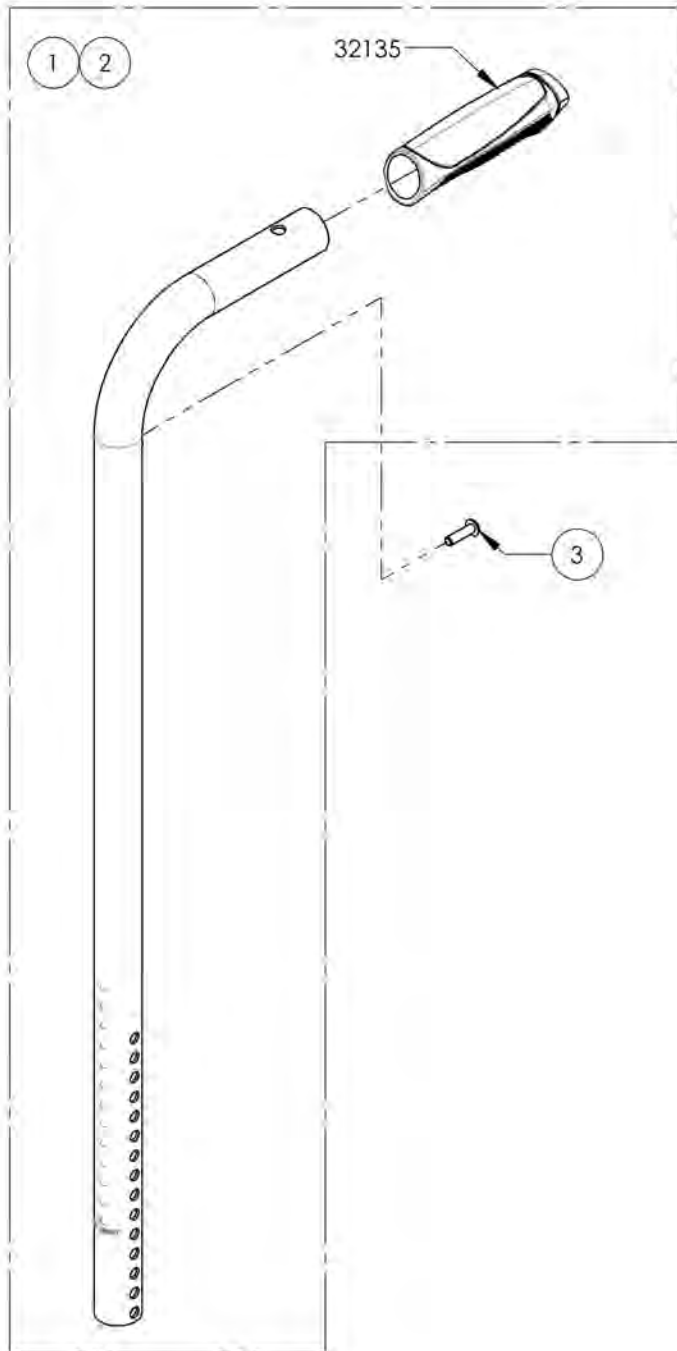


MAKE SURE TO HAVE YOUR SERIAL NUMBER NEARBY WHEN ORDERING PARTS FOR YOUR MOTION COMPOSITES WHEELCHAIR



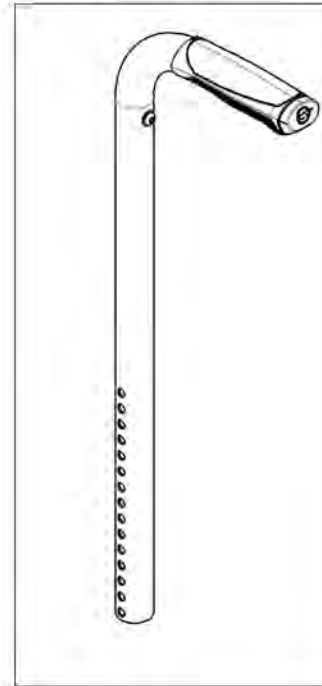
9003298\_9003299

**Back Cane - Aluminium, Straight + Integrated Push Handle**

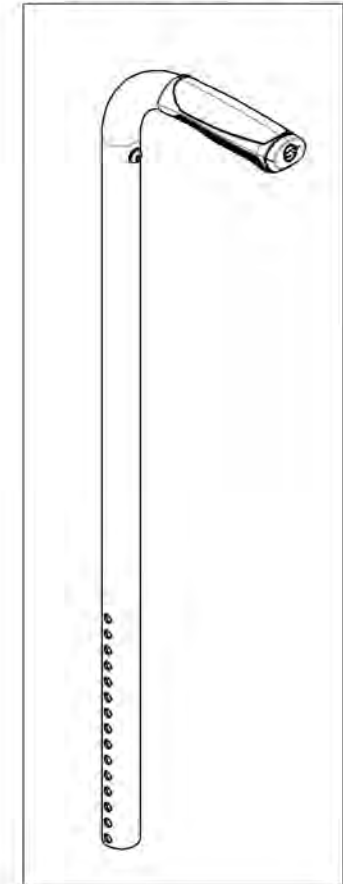


ITEM NO.	PARTNO	DESCRIPTION	9003298 /QTY.	9003299 /QTY.
1	32539	ALU STRAIGHT BACK CANE 9-15in WITH FIXED PUSH HANDLE - ASSY	1	-
2	32540	ALU STRAIGHT BACK CANE 15-21in WITH FIXED PUSH HANDLE - ASSY	-	1
3	90647	BUTTON HEAD CAP SCREW M5X0.8 X 18mm LONG, FULLY THREADED + BLUE THREADLOCKER - BLACK ZINC	1	1

9003298  
Back Cane - Aluminium, Straight +  
Integrated Push Handle, 9-15 in



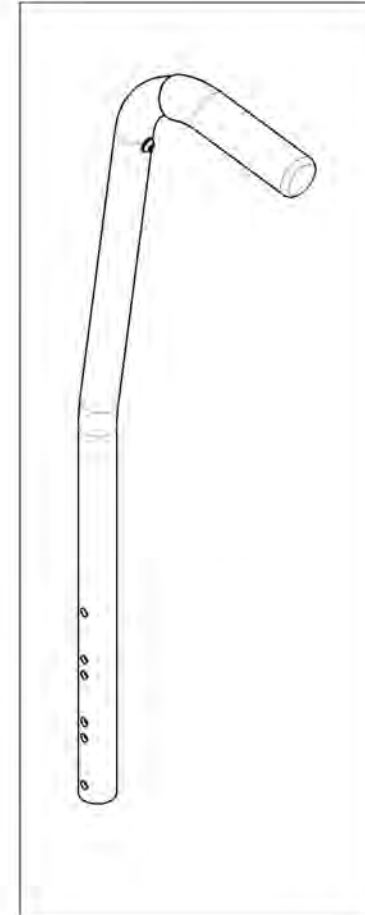
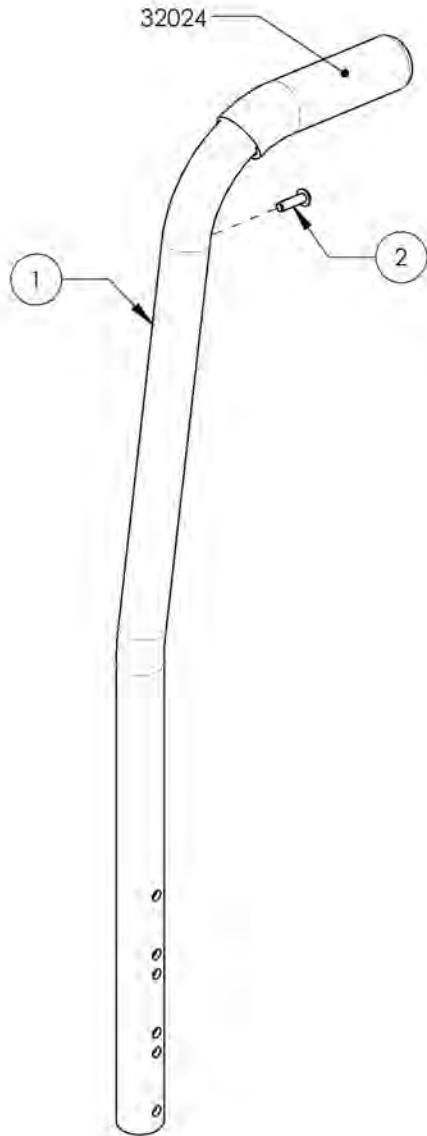
9003299  
Back Cane - Aluminium, Straight +  
Integrated Push Handle, 15-21 in



MAKE SURE TO HAVE YOUR SERIAL NUMBER  
NEARBY WHEN ORDERING PARTS FOR YOUR  
MOTION COMPOSITES WHEELCHAIR

**9001275**  
**Back Cane - Aluminium, 8° bend + Integrated Push Handle, 16, 18 or 20 in**

ITEM NO.	PARTNO	DESCRIPTION	9001275 /QTY.
1	32500	ALU 8 DEG BACK CANE 16, 18 OR 20 in WITH FIXED PUSH HANDLE - ASSEMBLY (M)	1
2	90647	BUTTON HEAD CAP SCREW M5X0.8 X 18mm LONG, FULLY THREADED + BLUE THREADLOCKER - BLACK ZINC	1

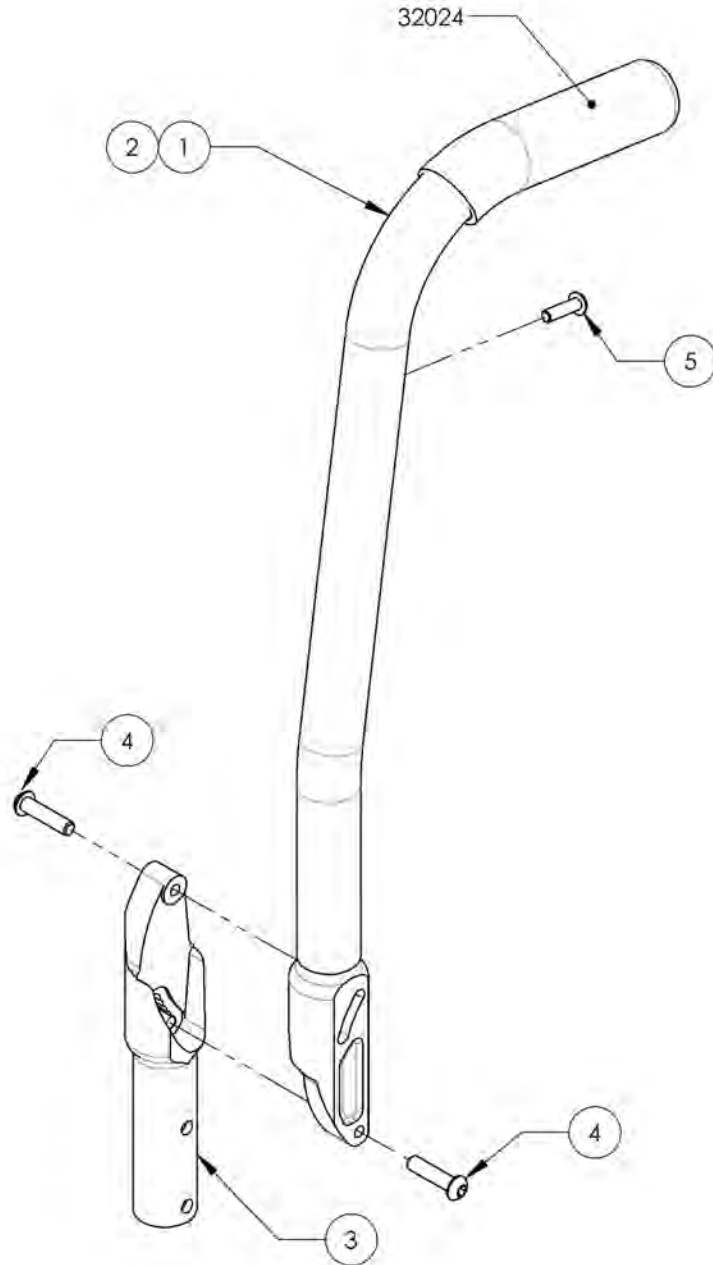


MAKE SURE TO HAVE YOUR SERIAL NUMBER  
NEARBY WHEN ORDERING PARTS FOR YOUR  
MOTION COMPOSITES WHEELCHAIR

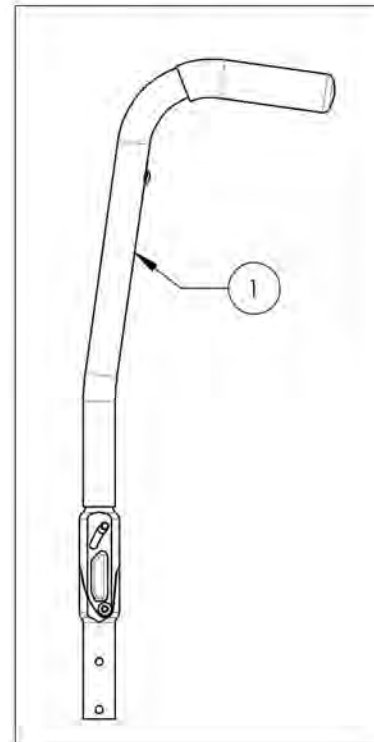
9001276\_9001277

**Back Cane - Aluminum, Angle adjustable, 8° bend + Integrated Push Handle**

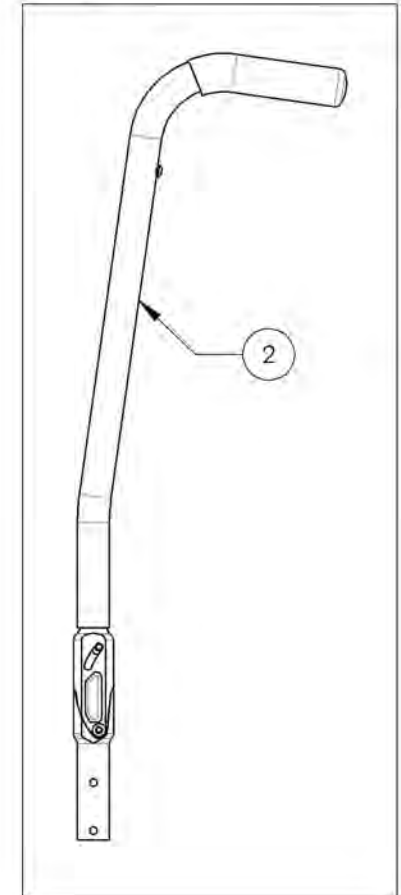
ITEM NO.	PARTNO	DESCRIPTION	9001276 /QTY.	9001277 /QTY.
1	32501	ALUMINIUM ADJUSTABLE ANGLE BACK 16" W_ FIXED PUSH HANDLE - ASSEMBLY (M)	1	-
2	32502	ALUMINIUM ADJUSTABLE ANGLE BACK 20" W_ FIXED PUSH HANDLE - ASSEMBLY (M)	-	1
3	32037	LOWER ADJUSTABLE BACKREST (M)	1	1
4	90663	BUTTON HEAD CAP SCREW M6X1 X 25mm LONG, FULLY THREADED	2	2
5	90647	BUTTON HEAD CAP SCREW M5X0.8 X 18mm LONG, FULLY THREADED + BLUE THREADLOCKER - BLACK ZINC	1	1



9001276  
Back Cane - Aluminum, Angle  
Adjustable, 8° bend + Integrated  
Push Handle, 16 in



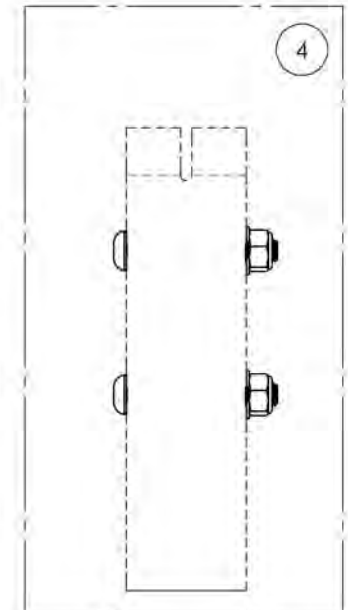
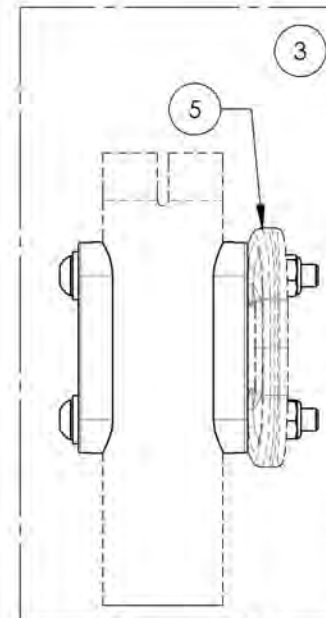
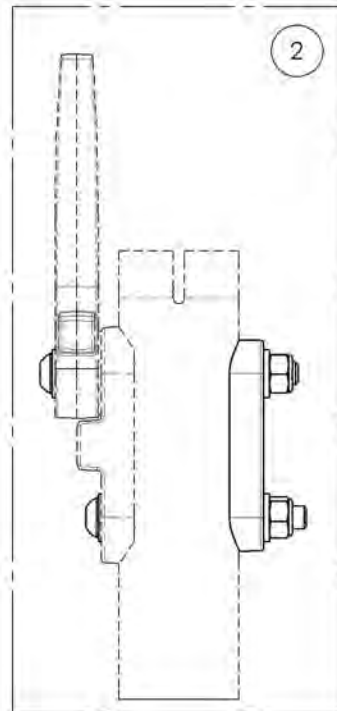
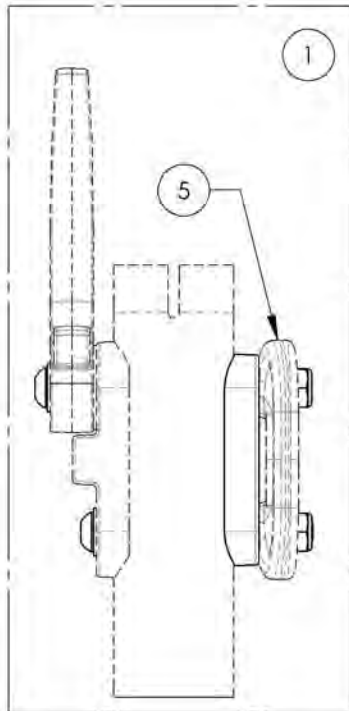
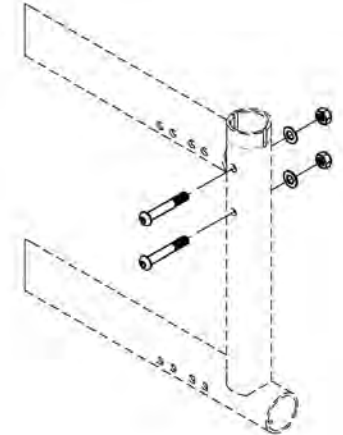
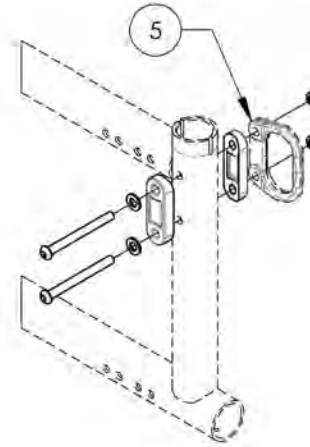
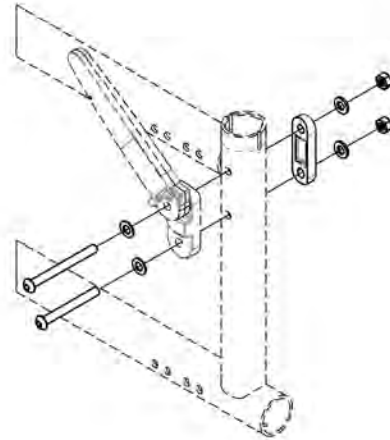
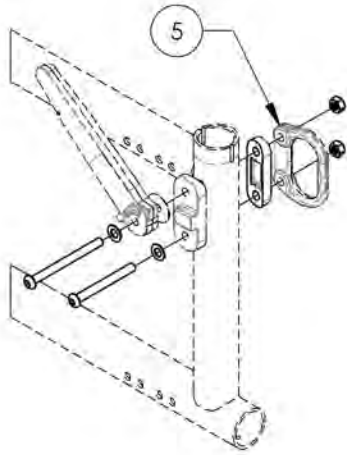
9001277  
Back Cane - Aluminum, Angle  
Adjustable, 8° bend + Integrated Push  
Handle, 20 in



MAKE SURE TO HAVE YOUR SERIAL NUMBER  
NEARBY WHEN ORDERING PARTS FOR YOUR  
MOTION COMPOSITES WHEELCHAIR

**Backrests Catalogue**  
**Back Cane Hardware**

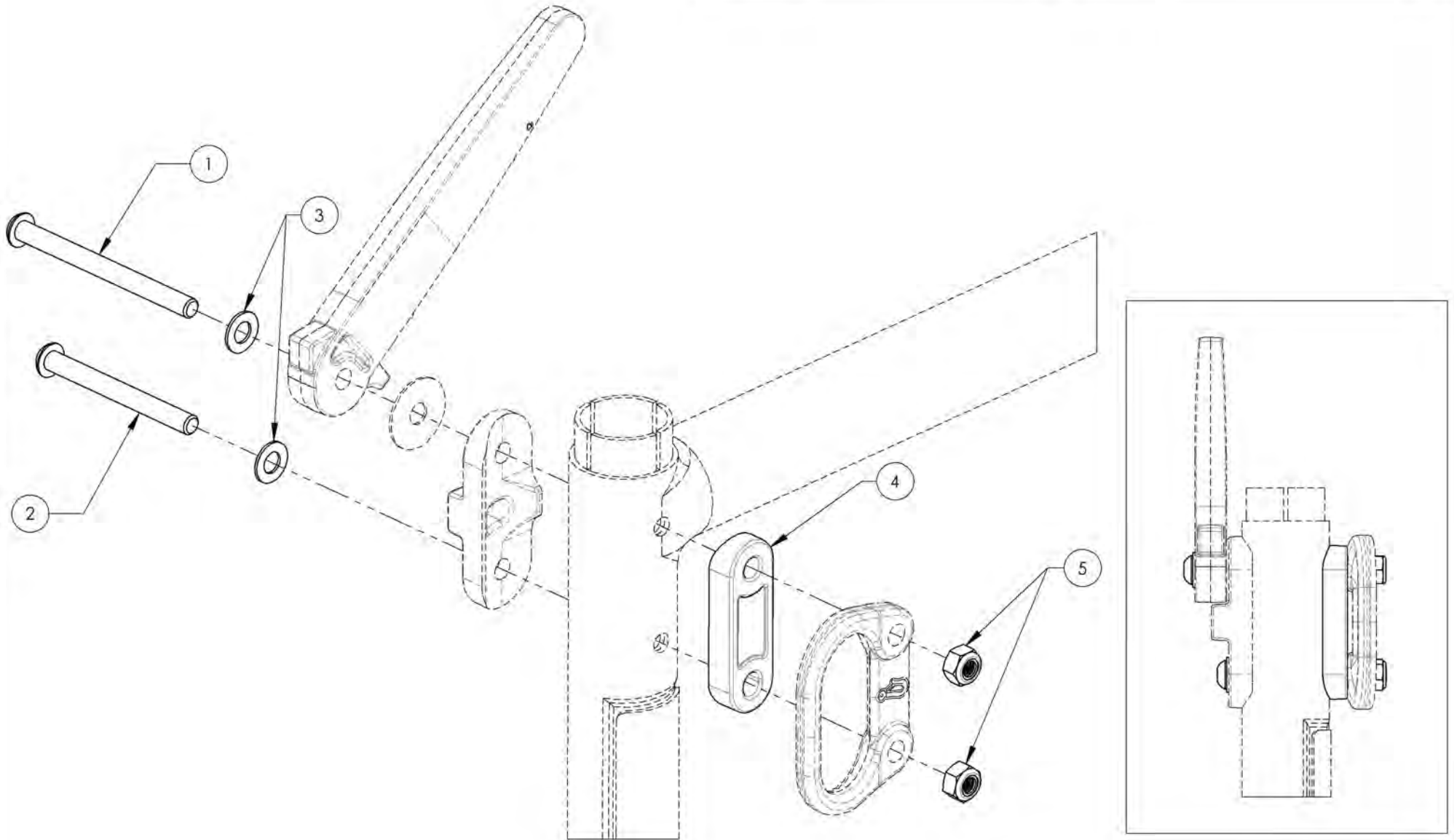
ITEM NO.	PARTNO	DESCRIPTION	QTY.
1	9001233	Back Cane - Hardware, With Tie Down for Flip Back Armrest	1
2	9001175	Back Cane - Hardware, Without Tie Down, for Flip Back Armrest	1
3	9001173	Back Cane - Hardware, With Tie Down, for T Armrest, Side Guards, Mud Guards, Locking Flip-Up Armrest, No Armrest	1
4	9001004	Back Cane - Standard Hardware, Without Tie Down	1
5	9001625	Tie Down - Rear, Wheelchair Transit	1



MAKE SURE TO HAVE YOUR SERIAL NUMBER  
 NEARBY WHEN ORDERING PARTS FOR YOUR  
 MOTION COMPOSITES WHEELCHAIR

**9001233**  
**Back Cane - Hardware, With Tie Down for Flip Back Armrest**

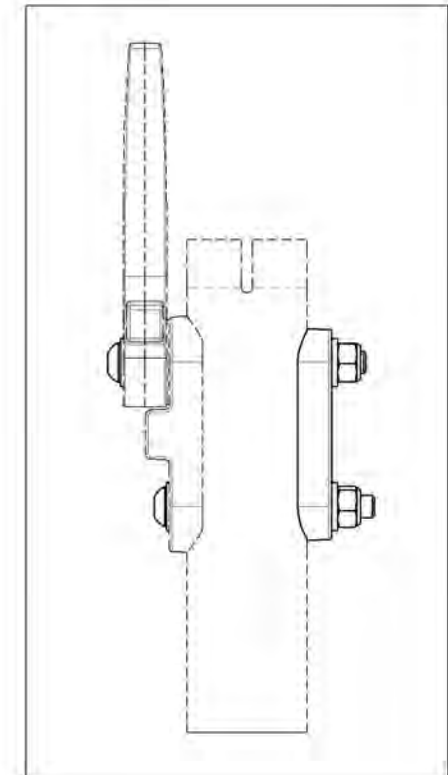
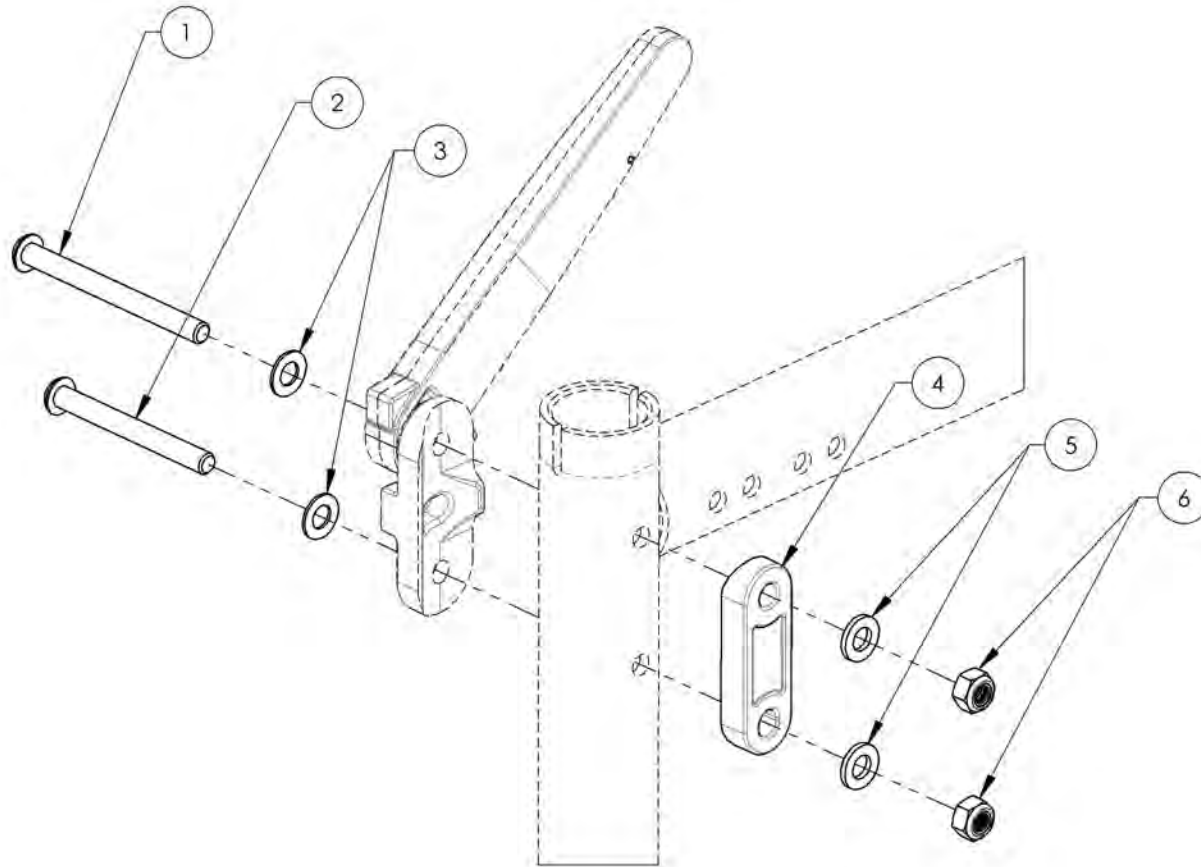
ITEM NO.	PARTNO	DESCRIPTION	9001233 /QTY.
1	90982	BUTTON HEAD CAP SCREW M6X1 X 70mm LONG, 24mm THREADED + BLUE THREADLOCKER - BLACK ZINC	1
2	90670	BUTTON HEAD CAP SCREW M6X1 X 58mm LONG, 24mm THREADED + BLUE THREADLOCKER - BLACK ZINC	1
3	99560	WASHER 1/4 17/64 ID X 1/2 OD X .032 THK	2
4	32066	DOUBLE COVERED WASHER	1
5	99512	M6 LOW NYLON LOCK	2



MAKE SURE TO HAVE YOUR SERIAL NUMBER  
 NEARBY WHEN ORDERING PARTS FOR YOUR  
 MOTION COMPOSITES WHEELCHAIR

**9001175**  
**Back Cane - Hardware, Without Tie Down, for Flip Back Armrest**

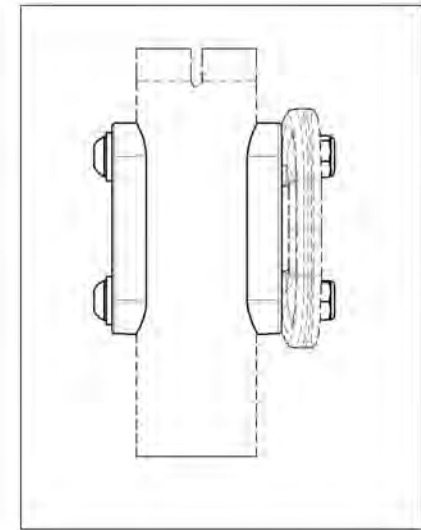
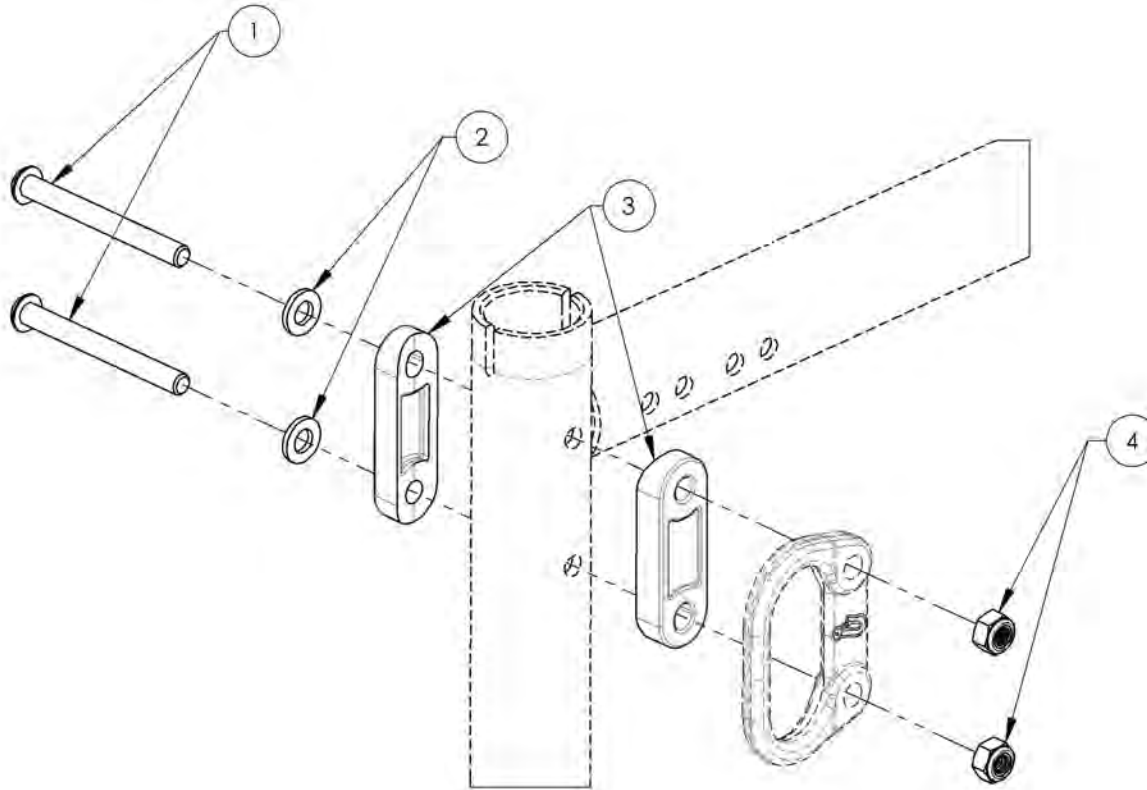
ITEM NO.	PARTNO	DESCRIPTION	9001175/ QTY.
1	91004	BUTTON HEAD CAP SCREW M6X1 X 65mm LONG, 24mm THREADED	1
2	90669	BUTTON HEAD CAP SCREW M6X1 X 55mm LONG, 24mm THREADED + BLUE THREADLOCKER - BLACK ZINC	1
3	99560	WASHER 1/4 17/64 ID X 1/2 OD X .032 THK	2
4	32066	DOUBLE COVERED WASHER	1
5	99562	WASHER 1/4 17/64 ID X 5/8 OD X .062 THK	2
6	99512	M6 LOW NYLON LOCK	2



MAKE SURE TO HAVE YOUR SERIAL NUMBER  
 NEARBY WHEN ORDERING PARTS FOR YOUR  
 MOTION COMPOSITES WHEELCHAIR

**9001173**  
**Back Cane - Hardware, With Tie Down, for T Armrest, Side Guards,**  
**Mud Guards, Locking Flip-Up Armrest, No Armrest**

ITEM NO.	PARTNO	DESCRIPTION	9001173 /QTY.
1	90670	BUTTON HEAD CAP SCREW M6X1 X 58mm LONG, 24mm THREADED	2
2	99562	WASHER 1/4 17/64 ID X 5/8 OD X .062 THK	2
3	32066	DOUBLE COVERED WASHER	2
4	99512	M6 LOW NYLON LOCK	2

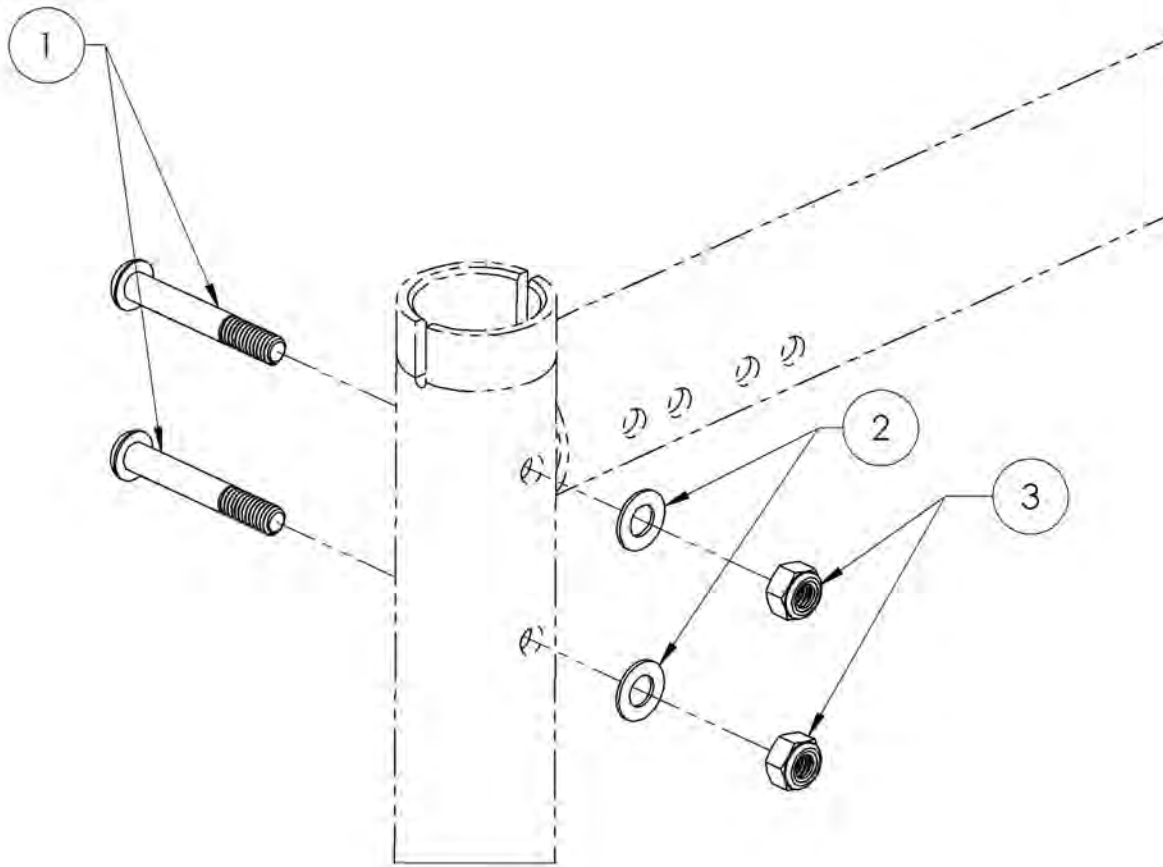


MAKE SURE TO HAVE YOUR SERIAL NUMBER  
 NEARBY WHEN ORDERING PARTS FOR YOUR  
 MOTION COMPOSITES WHEELCHAIR

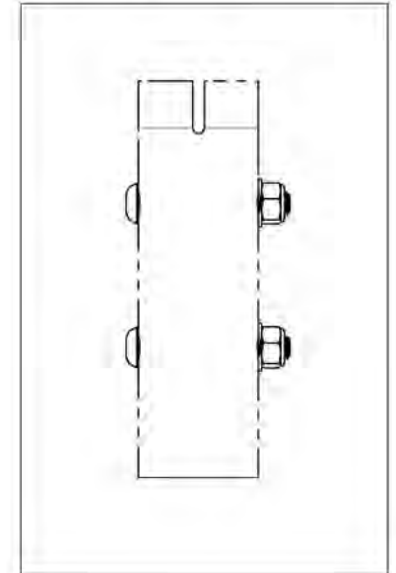


**9001004**  
**Back Cane - Standard Hardware, Without Tie Down**

ITEM NO.	PARTNO	DESCRIPTION	9001004 /QTY.
1	91019	BUTTON HEAD CAP SCREW M6X1 X 40mm PARTIAL THREAD	2
2	99560	WASHER 1/4 17/64 ID X 1/2 OD X .032 THK.	2
3	99512	M6 LOW NYLON LOCK	2



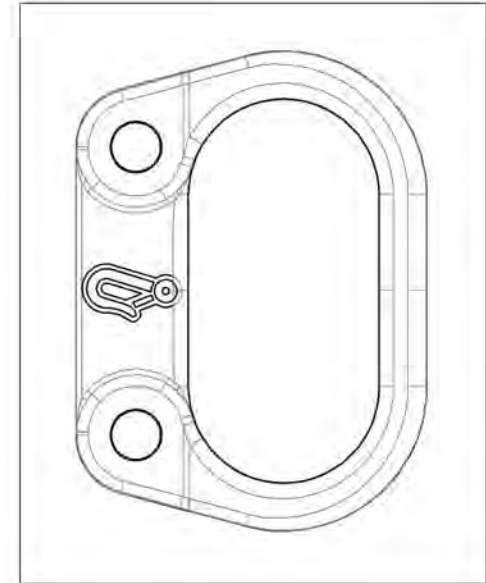
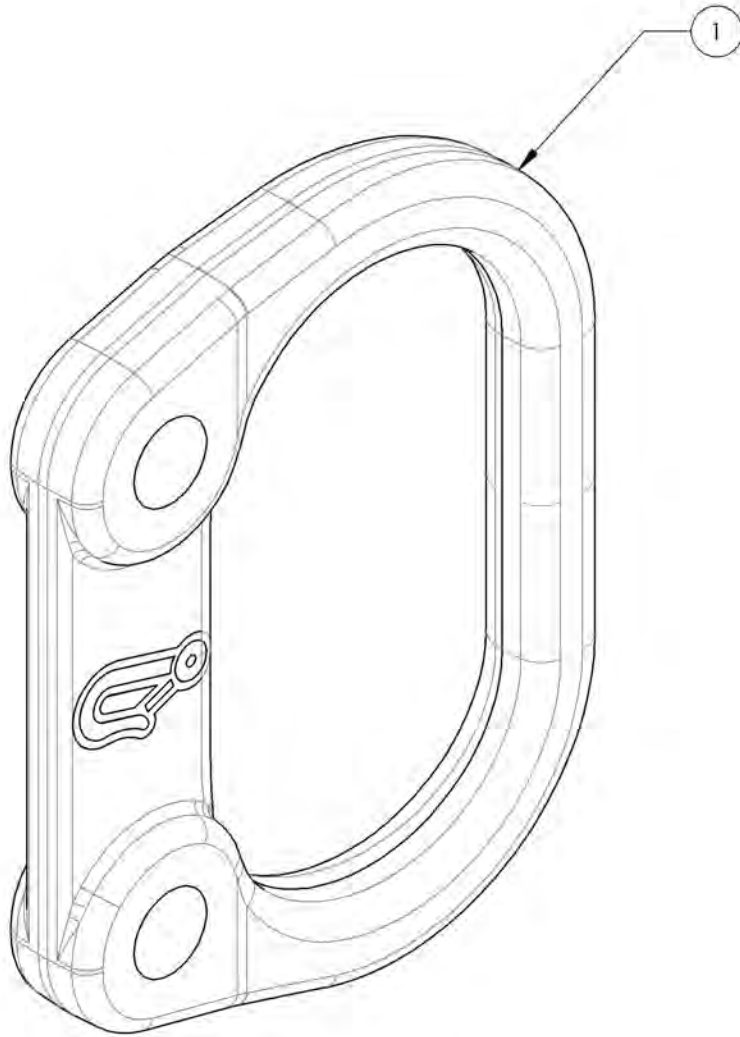
9001004  
 Back Cane - Standard Hardware,  
 Without Tie Down



MAKE SURE TO HAVE YOUR SERIAL NUMBER  
 NEARBY WHEN ORDERING PARTS FOR YOUR  
 MOTION COMPOSITES WHEELCHAIR

**9001625**  
**Tie Down - Rear, Wheelchair Transit**

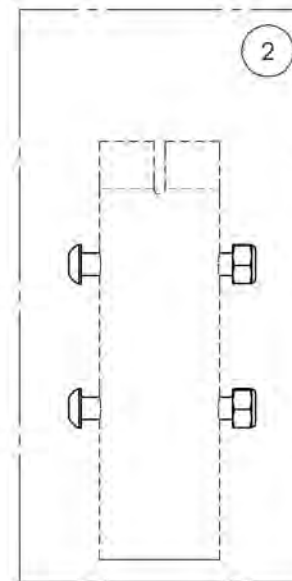
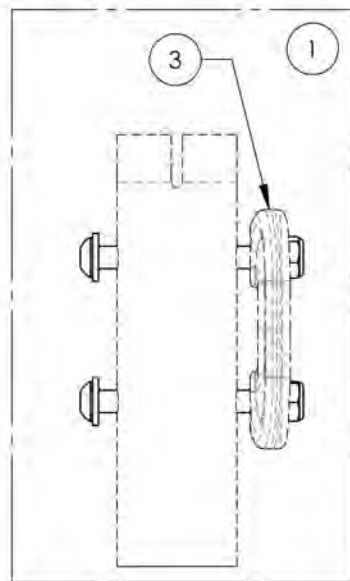
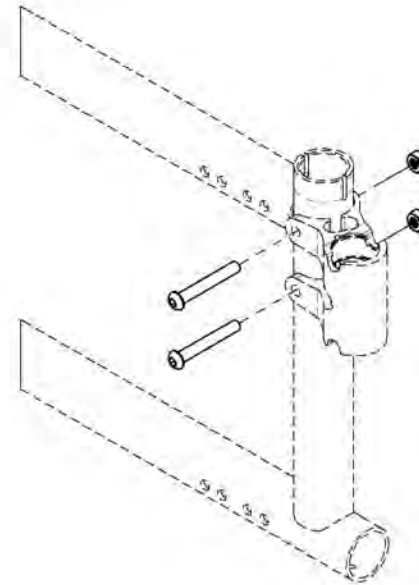
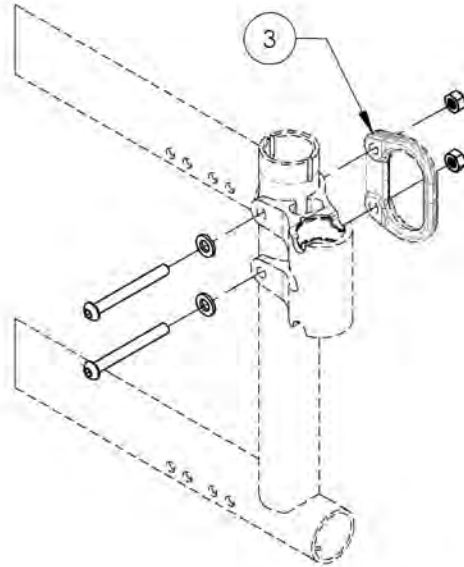
ITEM NO.	PARTNO	DESCRIPTION	9001625 /QTY.
1	22004	FRONT TIE DOWN	1



MAKE SURE TO HAVE YOUR SERIAL NUMBER  
NEARBY WHEN ORDERING PARTS FOR YOUR  
MOTION COMPOSITES WHEELCHAIR

**Backrests Catalogue**  
**Back Cane Hardware (L Type Armrest)**

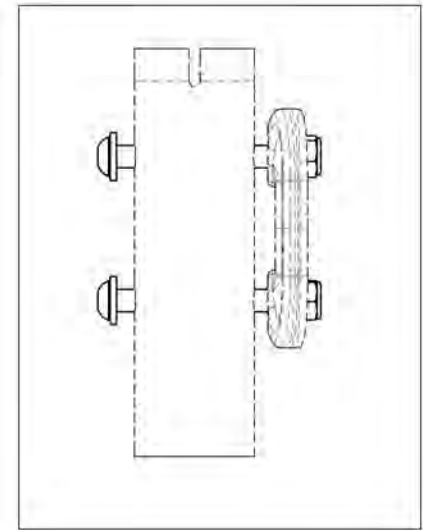
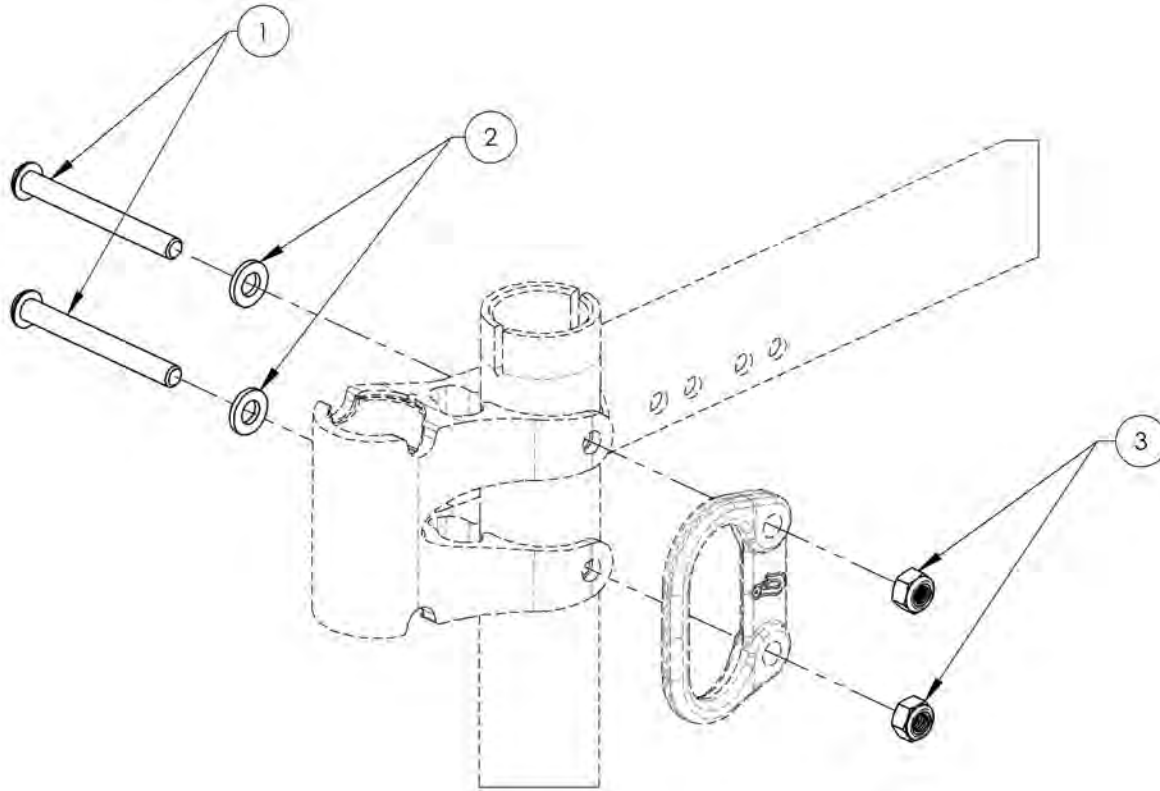
ITEM NO.	PARTNO	DESCRIPTION	QTY.
1	9007624	Hardware - For Swing Away Armrest, With Tie Down	1
2	9007625	Hardware - For Swing Away Armrest, Without Tie Down	1
3	9001625	Tie Down - Rear, Wheelchair Transit	1



MAKE SURE TO HAVE YOUR SERIAL NUMBER  
 NEARBY WHEN ORDERING PARTS FOR YOUR  
 MOTION COMPOSITES WHEELCHAIR

**9007624**  
**Hardware - For Swing Away Armrest, With Tie Down**

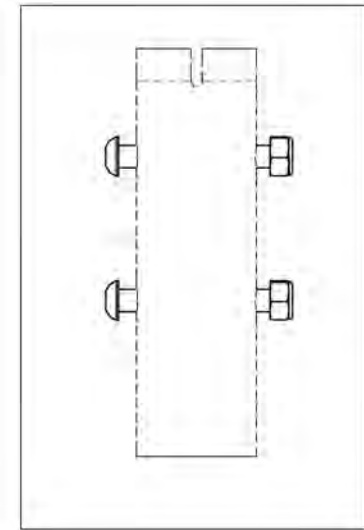
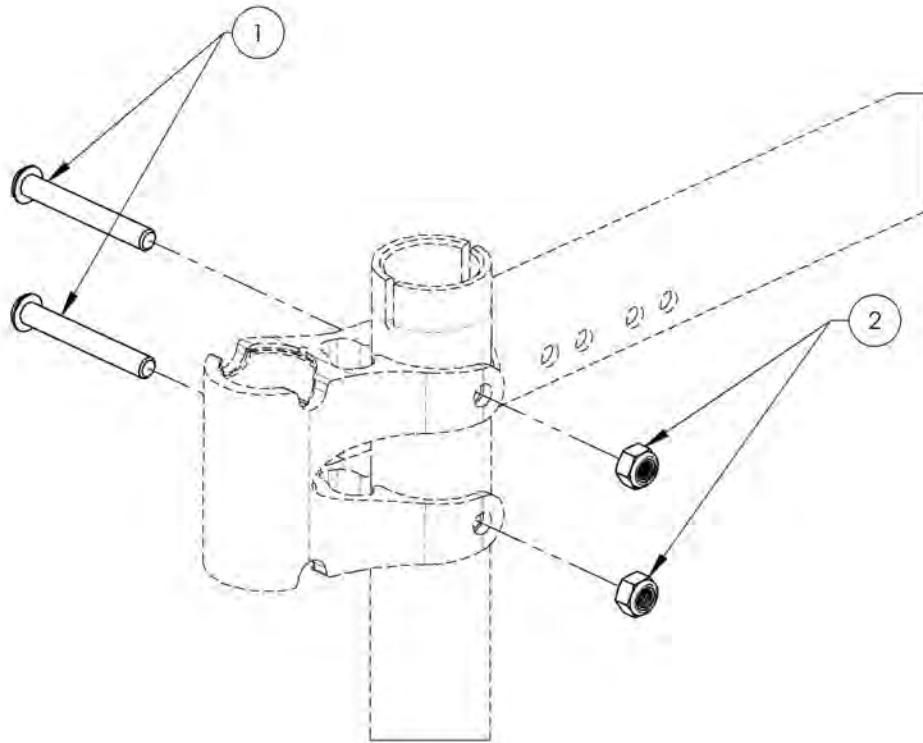
ITEM NO.	PARTNO	DESCRIPTION	9007624 /QTY.
1	90669	BUTTON HEAD CAP SCREW M6X1 X 55mm LONG, 24mm THREADED + BLUE THREADLOCKER - BLACK ZINC	2
2	99562	WASHER 1/4 17/64 ID X 5/8 OD X .062 THK	2
3	99512	M6 LOW NYLON LOCK	2



MAKE SURE TO HAVE YOUR SERIAL NUMBER  
 NEARBY WHEN ORDERING PARTS FOR YOUR  
 MOTION COMPOSITES WHEELCHAIR

**9007625**  
**Hardware - For Swing Away Armrest, Without Tie Down**

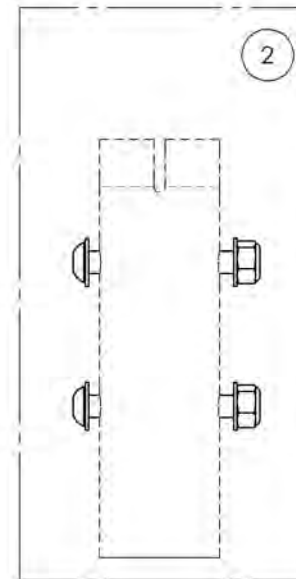
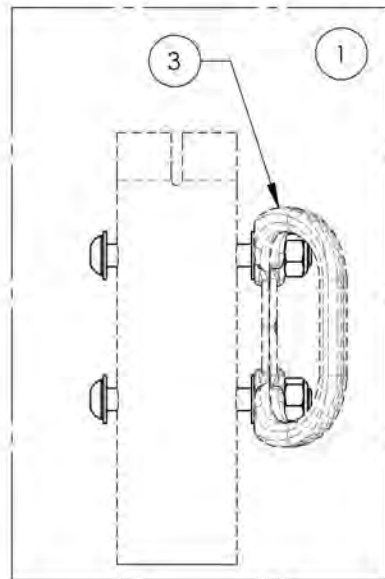
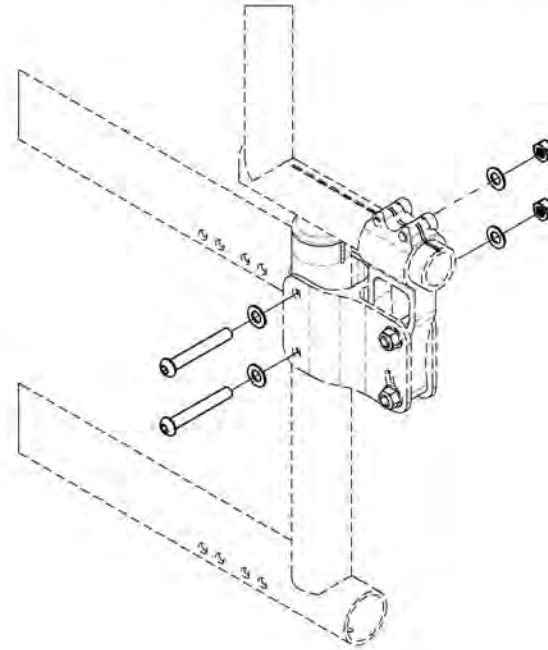
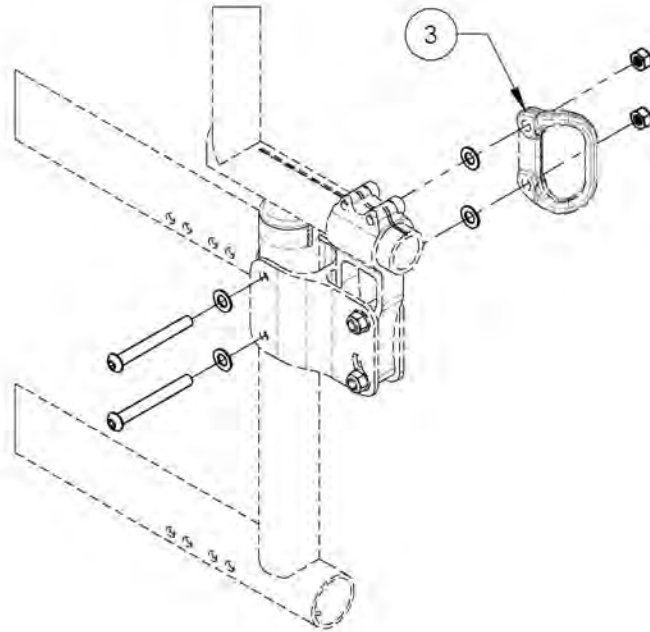
ITEM NO.	PARTNO	DESCRIPTION	9007625 /QTY.
1	90667	BUTTON HEAD CAP SCREW M6X1 X 45mm LONG, 24mm THREADED + BLUE THREADLOCKER - BLACK ZINC	2
2	99512	M6 LOW NYLON LOCK	2



MAKE SURE TO HAVE YOUR SERIAL NUMBER  
 NEARBY WHEN ORDERING PARTS FOR YOUR  
 MOTION COMPOSITES WHEELCHAIR

**Backrests Catalogue**  
**Back Cane Hardware (Depth Adj. Back Cane)**

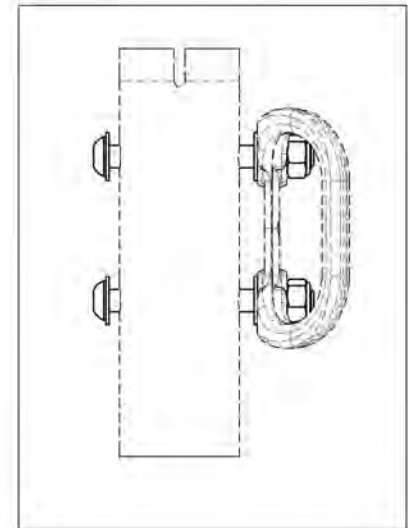
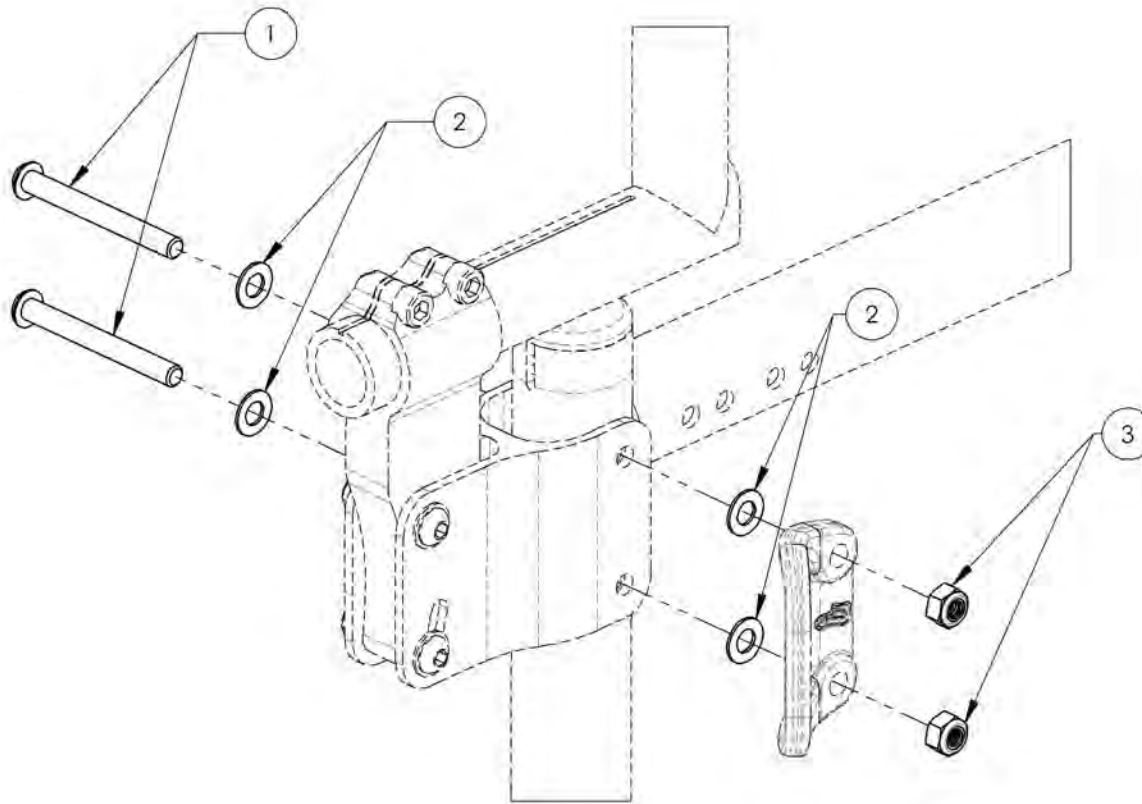
ITEM NO.	PARTNO	DESCRIPTION	QTY.
1	9007626	Hardware - For Depth Adjustable Back Cane, With Tie Down	1
2	9007627	Hardware - For Depth Adjustable Back Cane, Without Tie Down	1
3	9001626	Tie Down - Rear, Wheelchair Transit, Angled	1



MAKE SURE TO HAVE YOUR SERIAL NUMBER  
 NEARBY WHEN ORDERING PARTS FOR YOUR  
 MOTION COMPOSITES WHEELCHAIR

**9007626****Hardware - For Depth Adjustable Back Cane, With Tie Down**

ITEM NO.	PARTNO	DESCRIPTION	9007626 /QTY.
1	90669	BUTTON HEAD CAP SCREW M6X1 X 55mm LONG, 24mm THREADED + BLUE THREADLOCKER - BLACK ZINC	2
2	99560	WASHER 1/4 17/64 ID X 1/2 OD X .032 THK	4
3	99512	M6 LOW NYLON LOCK	2

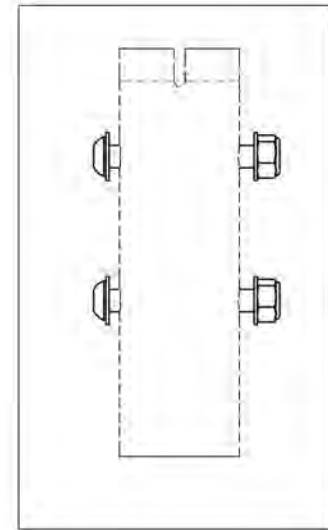
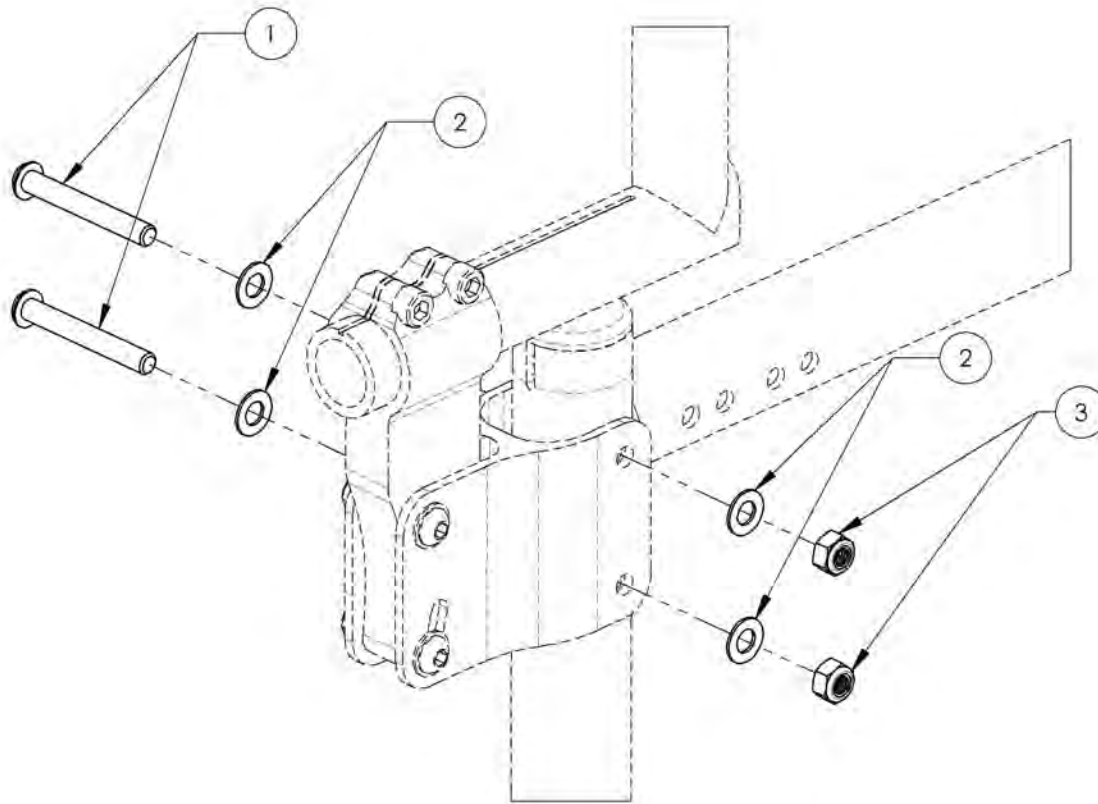


MAKE SURE TO HAVE YOUR SERIAL NUMBER  
NEARBY WHEN ORDERING PARTS FOR YOUR  
MOTION COMPOSITES WHEELCHAIR



**9007627**  
**Hardware - For Depth Adjustable Back Cane, Without Tie Down**

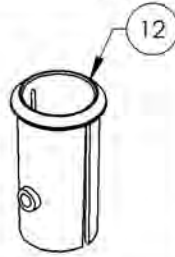
ITEM NO.	PARTNO	DESCRIPTION	9007627 /QTY.
1	90667	BUTTON HEAD CAP SCREW M6X1 X 45mm LONG, 24mm THREADED + BLUE THREADLOCKER - BLACK ZINC	2
2	99560	WASHER 1/4 17/64 ID X 1/2 OD X .032 THK	4
3	99512	M6 LOW NYLON LOCK	2



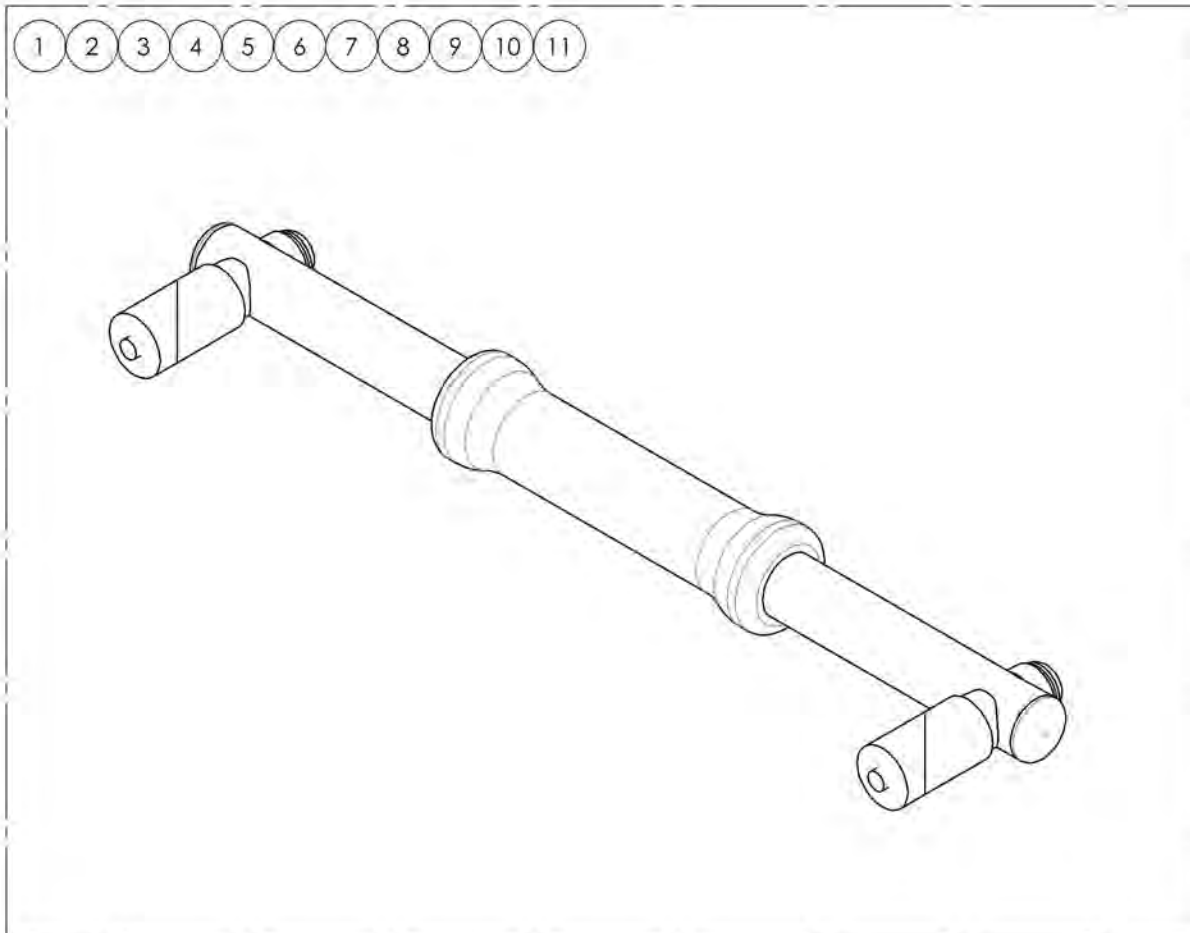
MAKE SURE TO HAVE YOUR SERIAL NUMBER  
 NEARBY WHEN ORDERING PARTS FOR YOUR  
 MOTION COMPOSITES WHEELCHAIR

**Backrests Catalogue**  
**Newton Folding Stabilizer Bar**

USE SLEEVE #9001003 IF THE NEWTON STABILIZER BAR (#9001594 TO #9001604) WILL BE INSTALLED WITH ALUMINUM STRAIGHT BACK CANES WITH INTEGRATED PUSH HANDLE (#9003298 OR #9003299)



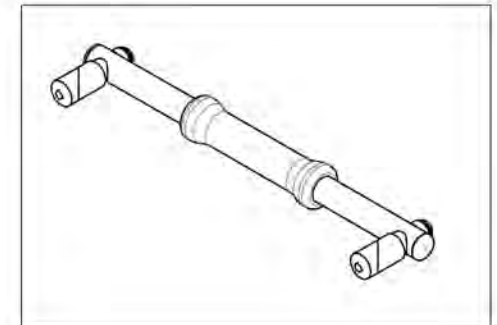
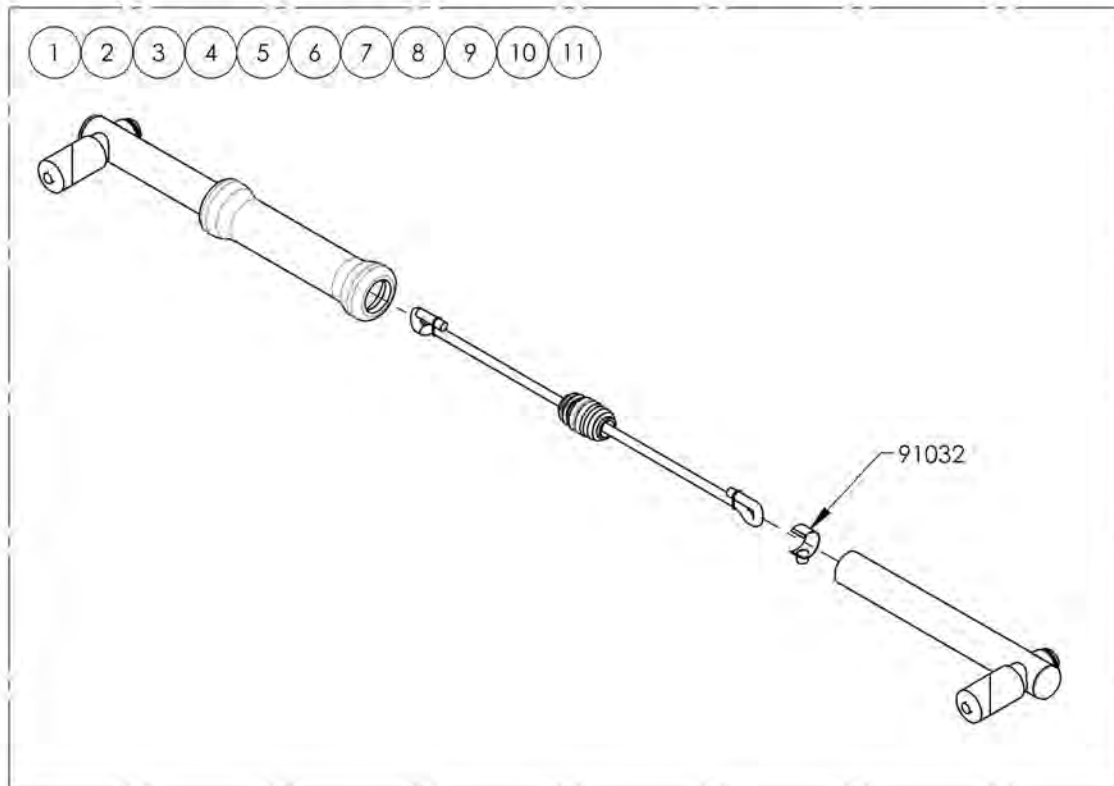
ITEM NO.	PARTNO	DESCRIPTION	QTY.
1	9001594	Newton Stabilizer Bar - Folding, 12 in	1
2	9001595	Newton Stabilizer Bar - Folding, 13 in	1
3	9001596	Newton Stabilizer Bar - Folding, 14 in	1
4	9001597	Newton Stabilizer Bar - Folding, 15 in	1
5	9001598	Newton Stabilizer Bar - Folding, 16 in	1
6	9001599	Newton Stabilizer Bar - Folding, 17 in	1
7	9001600	Newton Stabilizer Bar - Folding, 18 in	1
8	9001601	Newton Stabilizer Bar - Folding, 19 in	1
9	9001602	Newton Stabilizer Bar - Folding, 20 in	1
10	9001603	Newton Stabilizer Bar - Folding, 21 in	1
11	9001604	Newton Stabilizer Bar - Folding, 22 in	1
12	9001003	Back Cane - Sleeve for Integrated Push Handle	1



MAKE SURE TO HAVE YOUR SERIAL NUMBER NEARBY WHEN ORDERING PARTS FOR YOUR MOTION COMPOSITES WHEELCHAIR

**9001594 9001604  
Newton Stabilizer Bar - Folding**

ITEM NO.	PARTNO	DESCRIPTION	9001594 /QTY.	9001595 /QTY.	9001596 /QTY.	9001597 /QTY.	9001598 /QTY.	9001599 /QTY.	9001600 /QTY.	9001601 /QTY.	9001602 /QTY.	9001603 /QTY.	9001604 /QTY.
1	60704	NEWTON FOLDING STABILIZER BAR 12 in - ASSEMBLY	1	-	-	-	-	-	-	-	-	-	-
2	60705	NEWTON FOLDING STABILIZER BAR 13 in - ASSEMBLY	-	1	-	-	-	-	-	-	-	-	-
3	60706	NEWTON FOLDING STABILIZER BAR 14 in - ASSEMBLY	-	-	1	-	-	-	-	-	-	-	-
4	60707	NEWTON FOLDING STABILIZER BAR 15 in - ASSEMBLY	-	-	-	1	-	-	-	-	-	-	-
5	60708	NEWTON FOLDING STABILIZER BAR 16 in - ASSEMBLY	-	-	-	-	1	-	-	-	-	-	-
6	60709	NEWTON FOLDING STABILIZER BAR 17 in - ASSEMBLY	-	-	-	-	-	1	-	-	-	-	-
7	60710	NEWTON FOLDING STABILIZER BAR 18 in - ASSEMBLY	-	-	-	-	-	-	1	-	-	-	-
8	60711	NEWTON FOLDING STABILIZER BAR 19 in - ASSEMBLY	-	-	-	-	-	-	-	1	-	-	-
9	60712	NEWTON FOLDING STABILIZER BAR 20 in - ASSEMBLY	-	-	-	-	-	-	-	-	1	-	-
10	60713	NEWTON FOLDING STABILIZER BAR 21 in - ASSEMBLY	-	-	-	-	-	-	-	-	-	1	-
11	60714	NEWTON FOLDING STABILIZER BAR 22 in - ASSEMBLY	-	-	-	-	-	-	-	-	-	-	1



MAKE SURE TO HAVE YOUR SERIAL NUMBER  
NEARBY WHEN ORDERING PARTS FOR YOUR  
MOTION COMPOSITES WHEELCHAIR

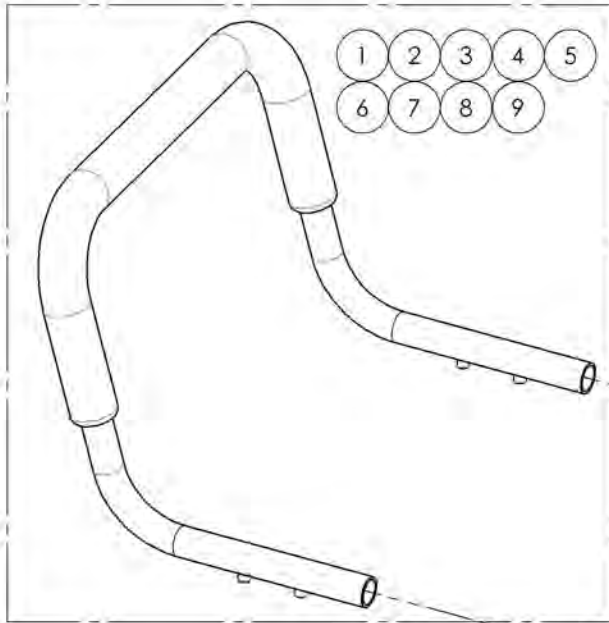
## Important WARNING when using the Stroller Handle



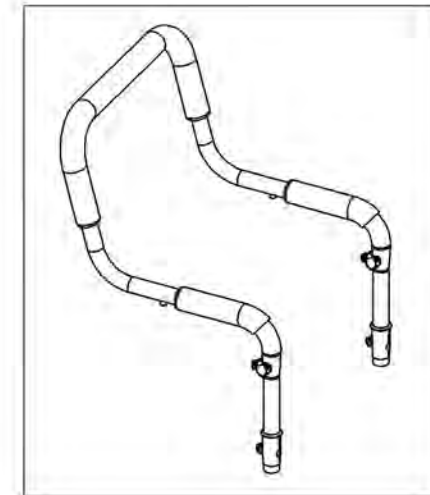
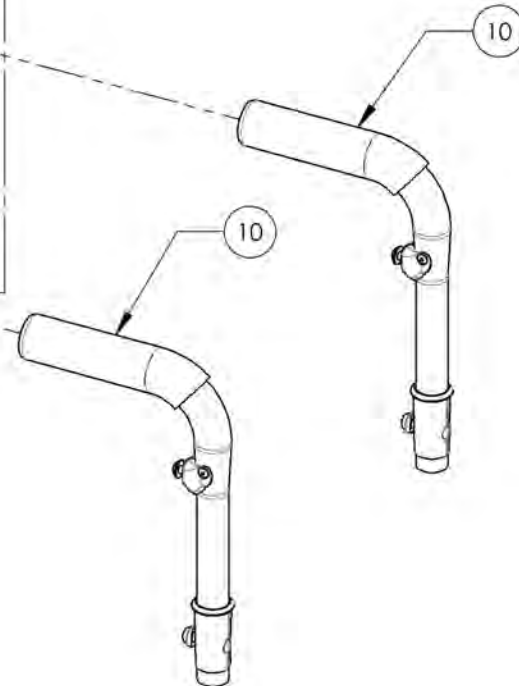
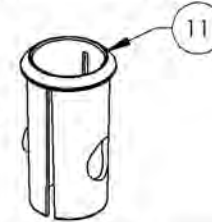
The Stroller Handle is not designed to lift or pull the weight of user in the wheelchair. It's designed to push and guide the wheelchair user.

Lifting or pulling the weight of the user in the wheelchair could initiate the breakage of the push handles and cause serious injury.  
**(PLEASE REFER TO USER MANUAL)**

ITEM NO.	PARTNO	DESCRIPTION	QTY.
1	9001605	Stroller Handle - 12 in	1
2	9001606	Stroller Handle - 13 in	1
3	9001607	Stroller Handle - 14 in	1
4	9001608	Stroller Handle - 15 in	1
5	9001609	Stroller Handle - 16 in	1
6	9001610	Stroller Handle - 17 in	1
7	9001611	Stroller Handle - 18 in	1
8	9001612	Stroller Handle - 19 in	1
9	9001613	Stroller Handle - 20 in	1
10	9002915	HD Push Handle - Adjustable	2
11	9001003	Back Cane - Sleeve for Integrated Push Handle	1



USE SLEEVE #9001003 IF THE STROLLER HANDLE (#9001605 TO #9001613) WILL BE INSTALLED WITH ALUMINUM STRAIGHT BACK CANES WITH INTEGRATED PUSH HANDLE (#9003298 OR #9003299)



MAKE SURE TO HAVE YOUR SERIAL NUMBER NEARBY WHEN ORDERING PARTS FOR YOUR MOTION COMPOSITES WHEELCHAIR

**9001605 9001613  
Stroller Handles**

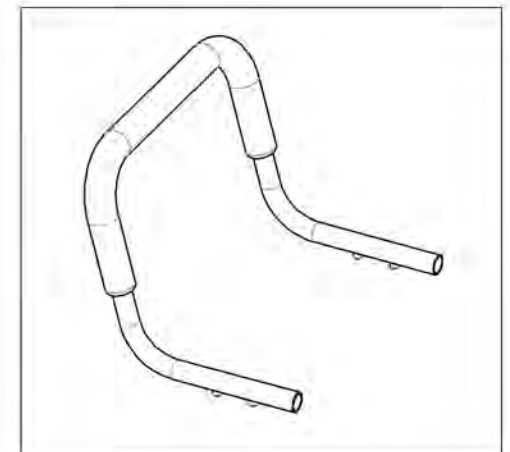
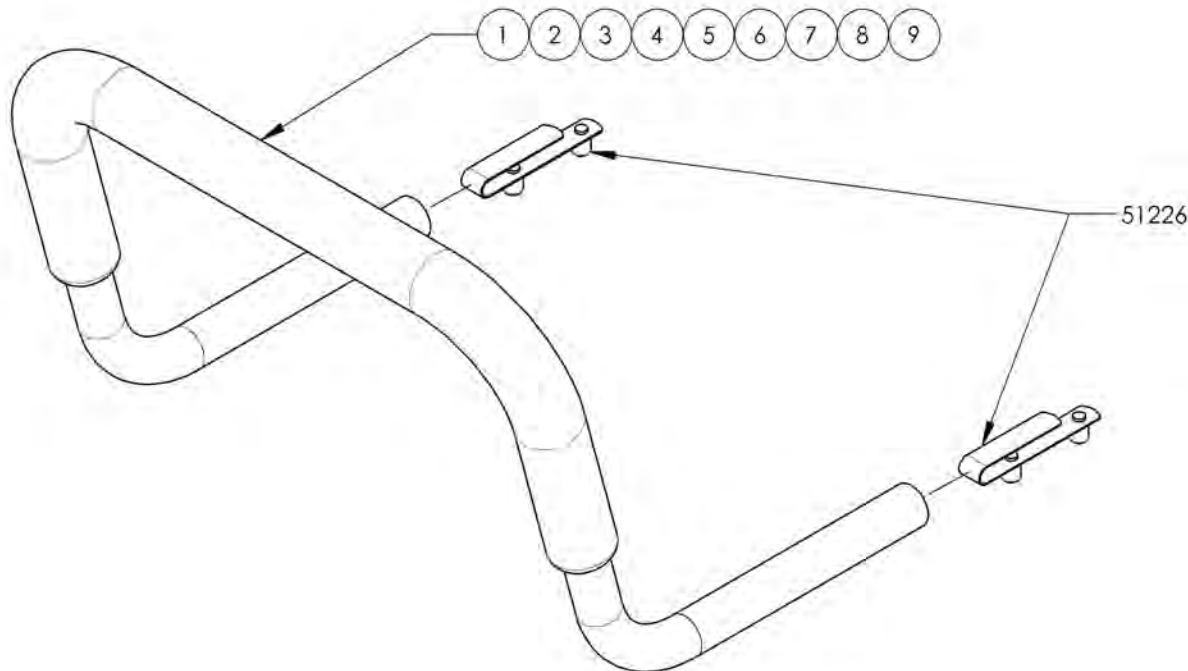
ITEM NO.	PARTNO	DESCRIPTION	9001605 /QTY.	9001606 /QTY.	9001607 /QTY.	9001608 /QTY.	9001609 /QTY.	9001610 /QTY.	9001611 /QTY.	9001612 /QTY.	9001613 /QTY.
1	51525	12in STROLLER HANDLE - ASSEMBLY	1	-	-	-	-	-	-	-	-
2	51526	13in STROLLER HANDLE - ASSEMBLY	-	1	-	-	-	-	-	-	-
3	51527	14in STROLLER HANDLE - ASSEMBLY	-	-	1	-	-	-	-	-	-
4	51528	15in STROLLER HANDLE - ASSEMBLY	-	-	-	1	-	-	-	-	-
5	51529	16in STROLLER HANDLE - ASSEMBLY	-	-	-	-	1	-	-	-	-
6	51530	17in STROLLER HANDLE - ASSEMBLY	-	-	-	-	-	1	-	-	-
7	51531	18in STROLLER HANDLE - ASSEMBLY	-	-	-	-	-	-	1	-	-
8	51532	19in STROLLER HANDLE - ASSEMBLY	-	-	-	-	-	-	-	1	-
9	51533	20in STROLLER HANDLE - ASSEMBLY	-	-	-	-	-	-	-	-	1

**Important WARNING when using the Stroller Handle**



The Stroller Handle is not designed to lift or pull the weight of user in the wheelchair. It's designed to push and guide the wheelchair user.

Lifting or pulling the weight of the user in the wheelchair could initiate the breakage of the push handles and cause serious injury.  
**(PLEASE REFER TO USER MANUAL)**

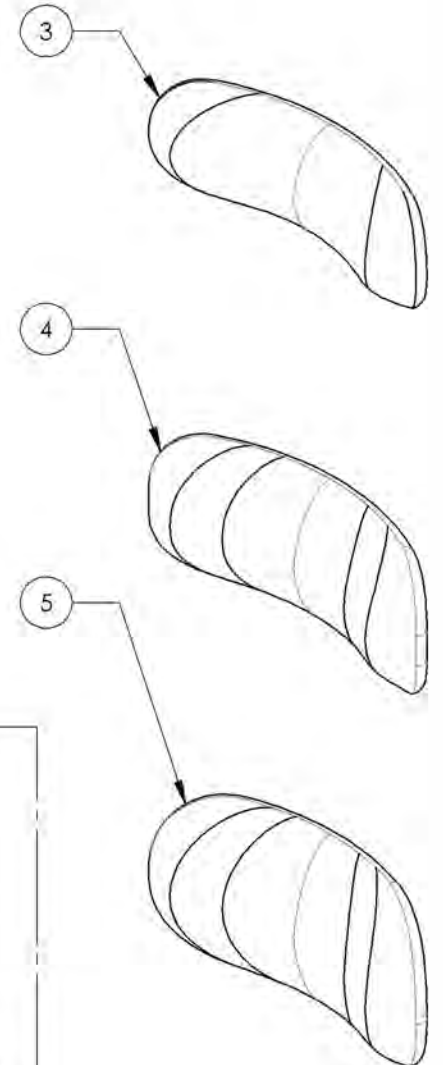
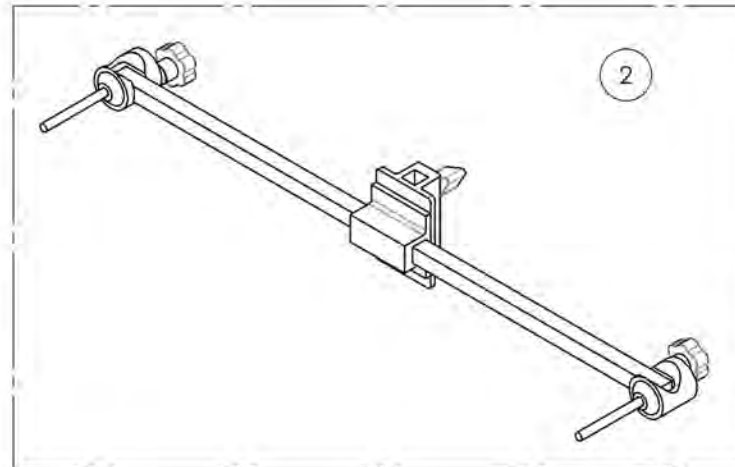
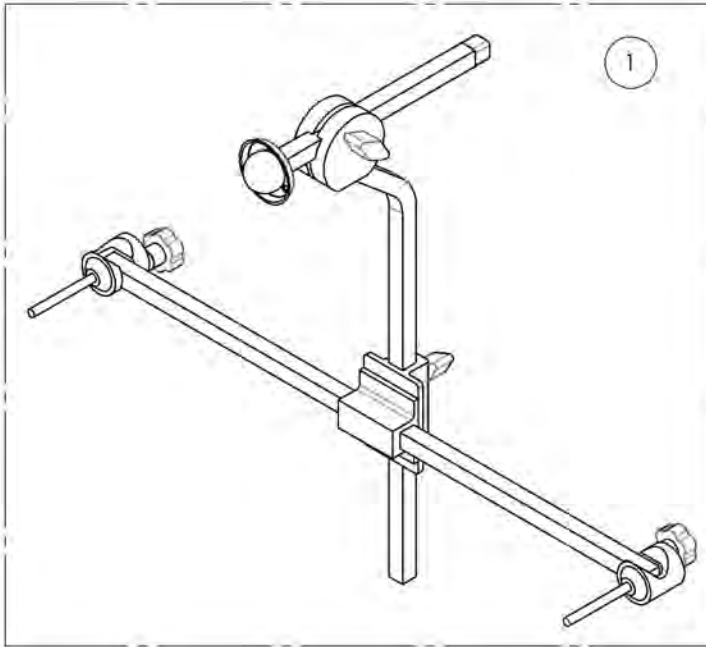


MAKE SURE TO HAVE YOUR SERIAL NUMBER NEARBY WHEN ORDERING PARTS FOR YOUR MOTION COMPOSITES WHEELCHAIR

**Backrest Catalogue  
Head Rests**

**\*HD Push Handles or Integrated Push Handles are required to install Stabilizer Bar (#9001592 & #9001593)  
Please refer to Push Handles for Head Rests Catalogue.**

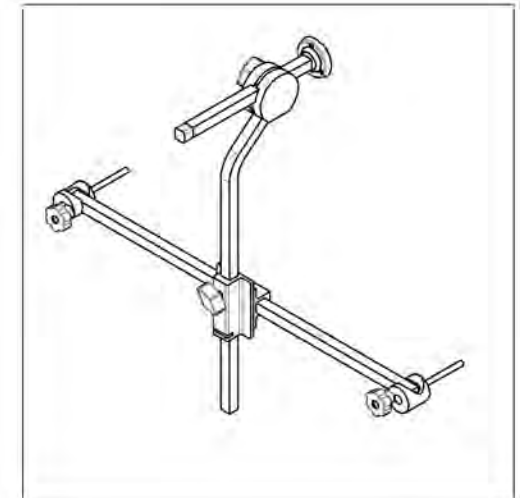
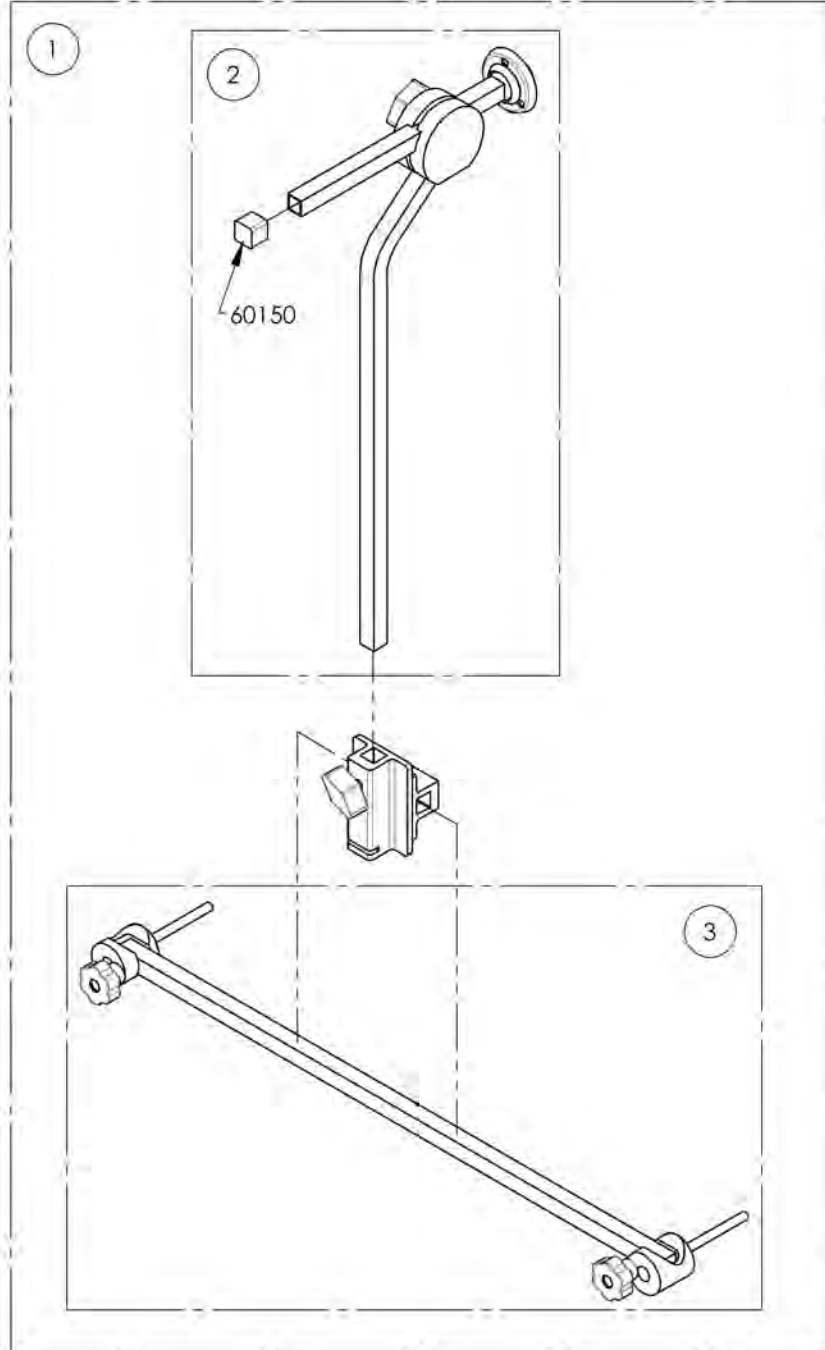
ITEM NO.	PARTNO	DESCRIPTION	QTY:
1	9001592	Stabilizer Bar - Non-Folding, With Anchor Plate & Swivel Mount Kit	1
2	9001593	Stabilizer Bar - Non-Folding, With Anchor Plate Kit	1
3	9001589	Head Rest Pad - Small	1
4	9001590	Head Rest Pad - Medium	1
5	9001591	Head Rest Pad - Large	1



MAKE SURE TO HAVE YOUR SERIAL NUMBER NEARBY WHEN ORDERING PARTS FOR YOUR MOTION COMPOSITES WHEELCHAIR

**9001592**  
**Stabilizer Bar - Non-Folding, With Anchor Plate & Swivel Mount Kit**

ITEM NO.	PARTNO	DESCRIPTION	9001592 /QTY.	REPLACEMENT PARTS/QTY.
1	60701	SWIVEL MOUNT/ANCHOR/STABILIZER BAR KIT	1	-
2	60108	SWIVEL MOUNT	-	1
3	60703	STABILIZER BAR	-	1

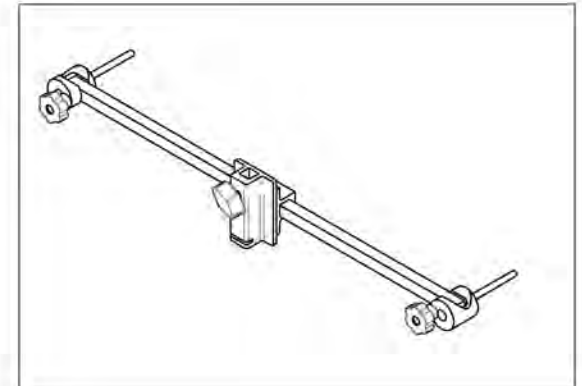
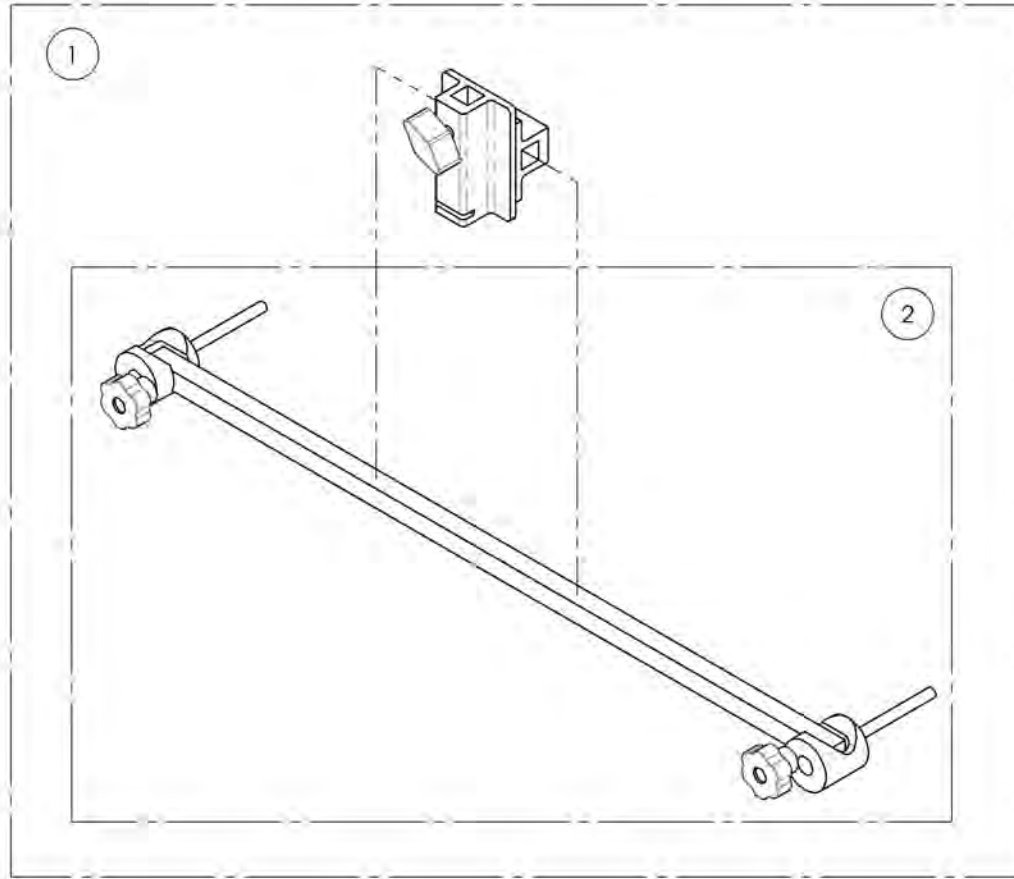


MAKE SURE TO HAVE YOUR SERIAL NUMBER  
 NEARBY WHEN ORDERING PARTS FOR YOUR  
 MOTION COMPOSITES WHEELCHAIR



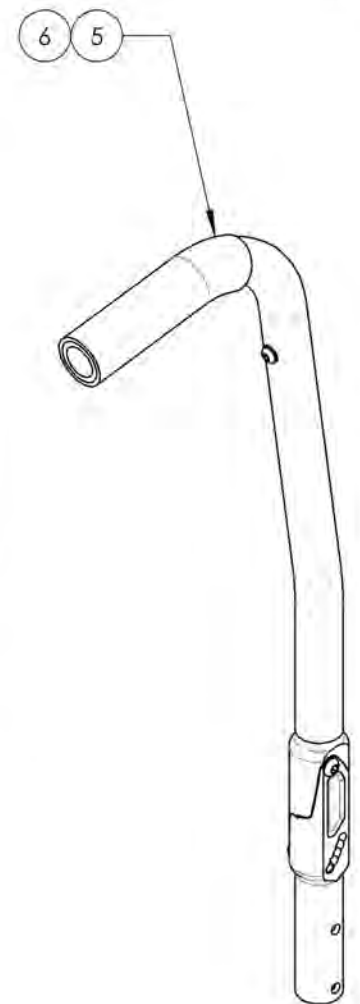
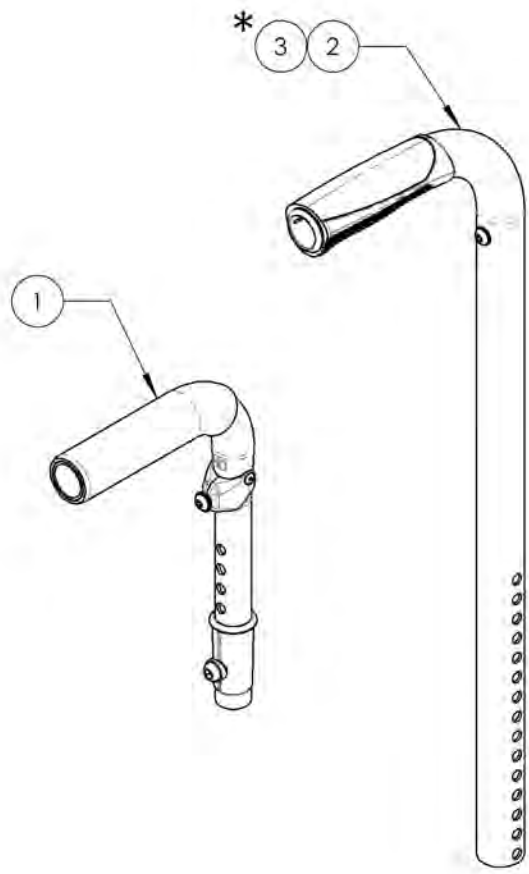
**9001593**  
**Stabilizer Bar - Non-Folding, With Anchor Plate Kit**

ITEM NO.	PARTNO	DESCRIPTION	9001593 /QTY.	REPLACEMENT PARTS/QTY.
1	60702	STABILIZER BAR + ANCHOR PLATE KIT	1	-
2	60703	STABILIZER BAR	-	1



MAKE SURE TO HAVE YOUR SERIAL NUMBER  
NEARBY WHEN ORDERING PARTS FOR YOUR  
MOTION COMPOSITES WHEELCHAIR

**Backrest Catalogue**  
**Push Handles for Head Rests**



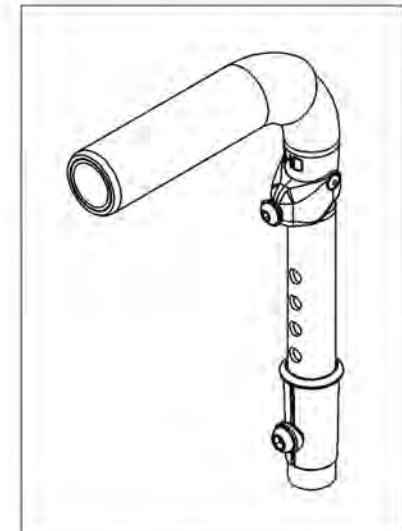
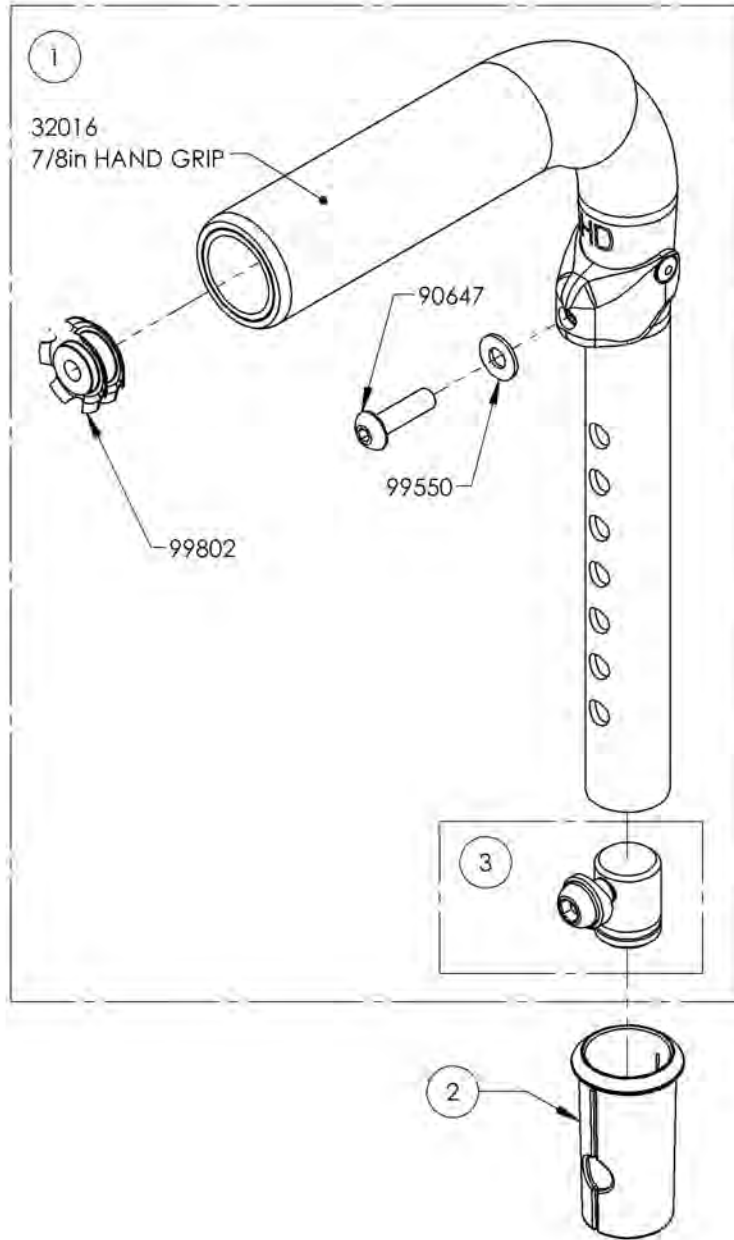
\* NOT AVAILABLE ON VELOCE WHEELCHAIRS

ITEM NO.	PARTNO	DESCRIPTION	QTY
1	9007565	HD Push Handle - Adjustable with Tube Connector	1
2	9007610*	Back Cane - Alu, Straight + Fixed Push Handle, 9-15 in with Tube Connect	1
3	9007611*	Back Cane - Alu, Straight + Fixed Push Handle, 15-21 in with Tube Connect	1
4	9007612*	Back Cane - Alu, 8° bend + Fixed Push Handle, 16, 18 or 20 in with Tube Connect	1
5	9007613	Back Cane - Alu, Angle Adj, 8° bend + Fixed Push Handle, 16 in with Tube Connect	1
6	9007614	Back Cane - Alu, Angle Adj, 8° bend + Fixed Push Handle, 20 in with Tube Connect	1

MAKE SURE TO HAVE YOUR SERIAL NUMBER NEARBY WHEN ORDERING PARTS FOR YOUR MOTION COMPOSITES WHEELCHAIR

**9007565  
HD Push Handle - Adjustable with Tube Connector**

ITEM NO.	PARTNO	DESCRIPTION	9007565 /QTY.	REPLACEMENT PARTS/QTY.
1	32541	HD PUSH HANDLE + TUBE CONNECT 7/8 - ASSY	1	-
2	32017	PUSH HANDLE BACK SLEEVE	1	-
3	32514	DOWEL NUT PUSH HANDLE - ASSEMBLY (M)	-	1

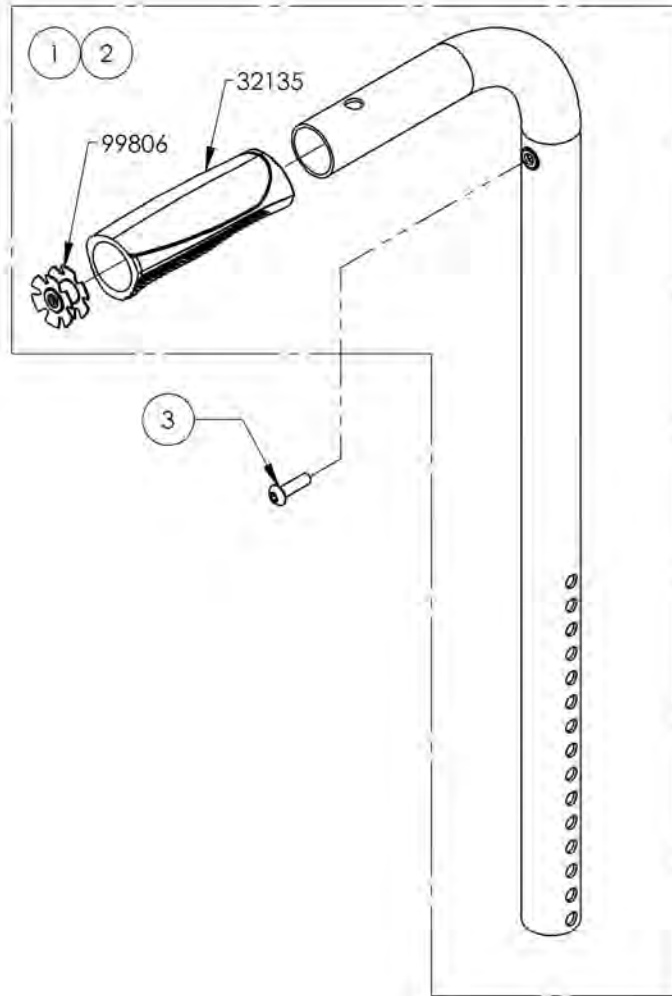


MAKE SURE TO HAVE YOUR SERIAL NUMBER  
NEARBY WHEN ORDERING PARTS FOR YOUR  
MOTION COMPOSITES WHEELCHAIR

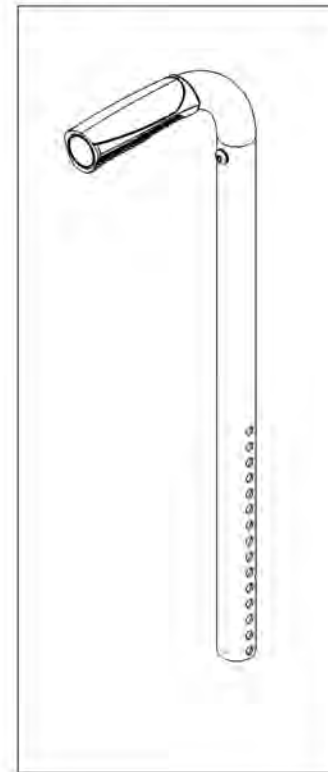
**9007610\_9007611**

**Back Cane - Alu, Straight + Fixed Push Handle, with Tube Connect**

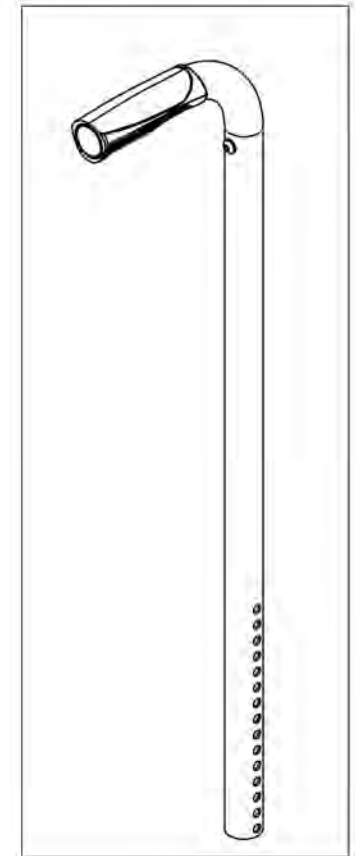
ITEM NO.	PARTNO	DESCRIPTION	9007610 /QTY.	9007611 /QTY.
1	32546	ALU STRAIGHT BACK CANE 9-15in IPH + TUBE CONNECT - ASSY	1	-
2	32547	ALU STRAIGHT BACK CANE 15-21in IPH + TUBE CONNECT - ASSY	-	1
3	90647	BUTTON HEAD CAP SCREW M5X0.8 X 18mm LONG, FULLY THREADED + BLUE THREADLOCKER - BLACK ZINC	1	1



9007610  
Back Cane - Alu, Straight + Fixed  
Push Handle, 9-15 in with Tube  
Connect



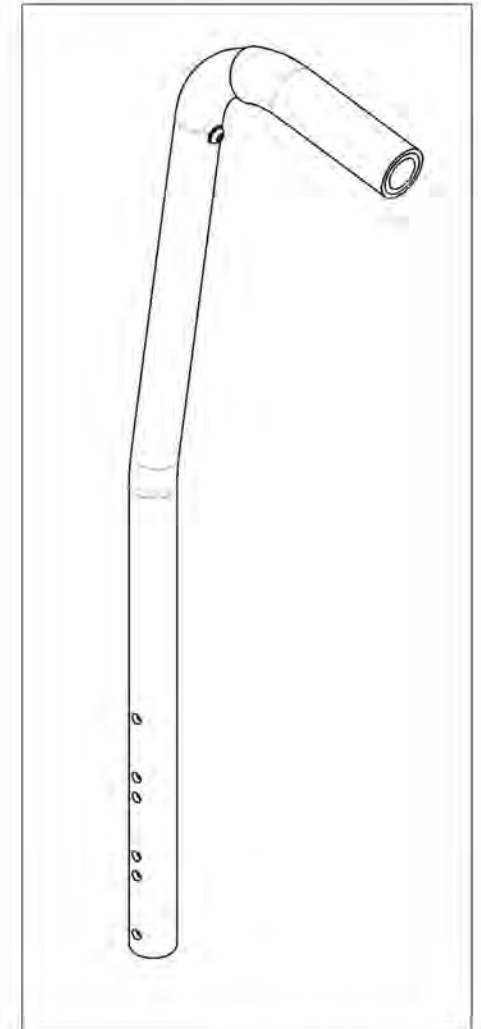
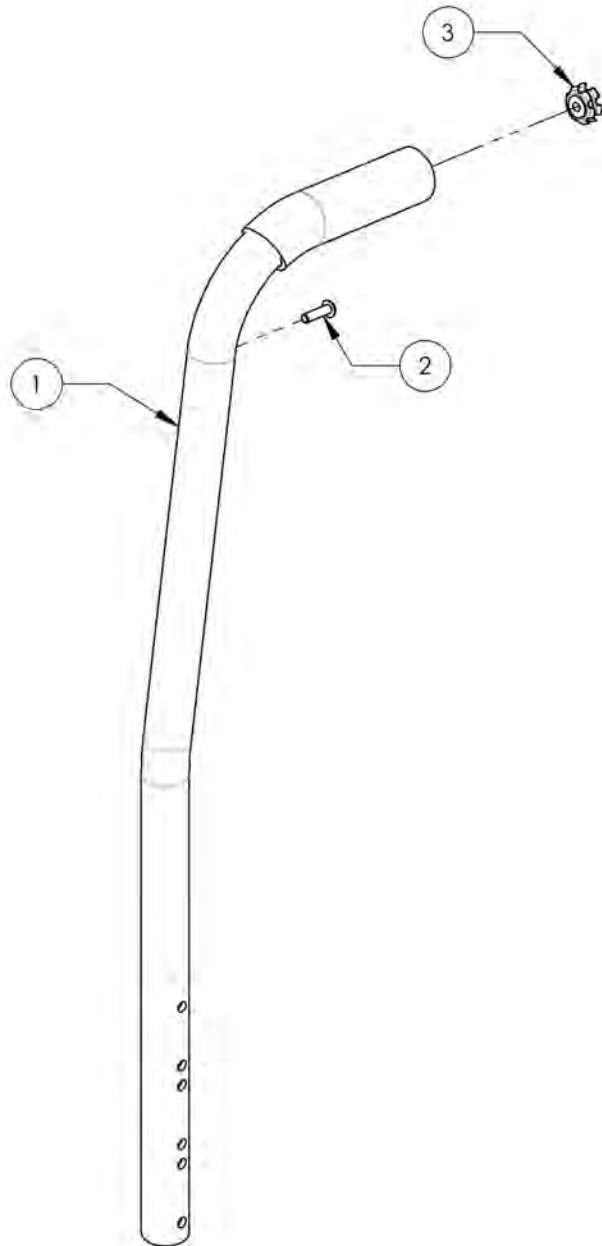
9007611  
Back Cane - Alu, Straight + Fixed  
Push Handle, 15-21 in with Tube  
Connect



MAKE SURE TO HAVE YOUR SERIAL NUMBER  
NEARBY WHEN ORDERING PARTS FOR YOUR  
MOTION COMPOSITES WHEELCHAIR

**9007612**  
**Back Cane - Alu, 8° bend + Fixed Push Handle, 16, 18 or 20 in with Tube Connect**

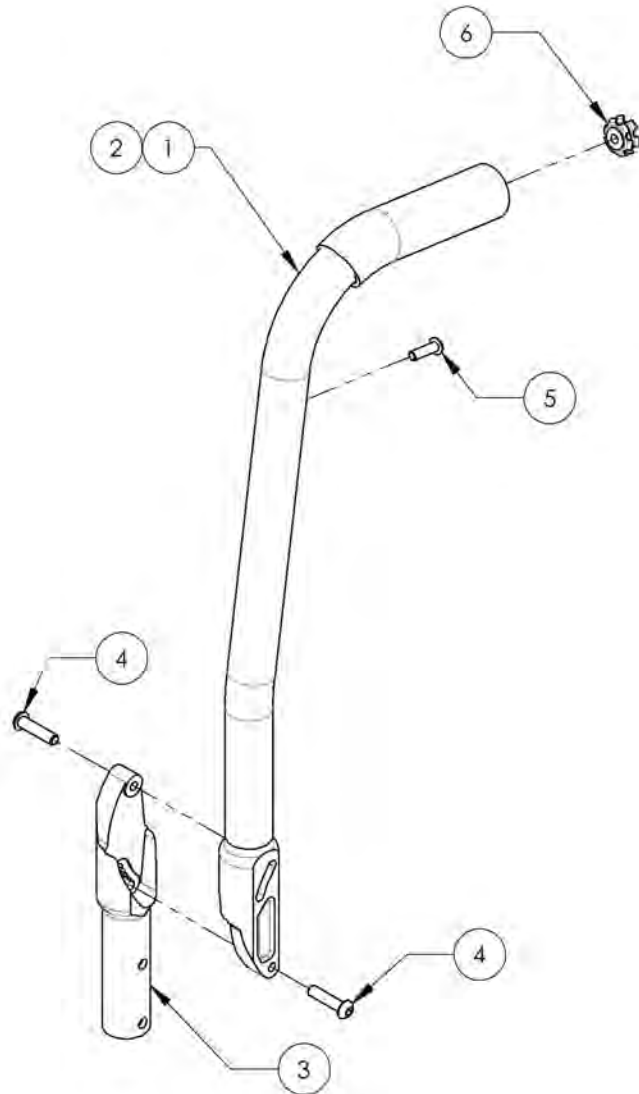
ITEM NO.	PARTNO	DESCRIPTION	9007612 /QTY.
1	32500	ALU 8 DEG BACK CANE 16, 18 OR 20 in WITH FIXED PUSH HANDLE- ASSEMBLY (M)	1
2	90647	BUTTON HEAD CAP SCREW M5X0.8 X 18mm LONG FULLY THREADED + BLUE THREADLOCKER - BLACK ZINC	1
3	99802	TUBE CONNECT 1_4-20 FOR 0.75 - 0.775in ID	1



MAKE SURE TO HAVE YOUR SERIAL NUMBER  
 NEARBY WHEN ORDERING PARTS FOR YOUR  
 MOTION COMPOSITES WHEELCHAIR

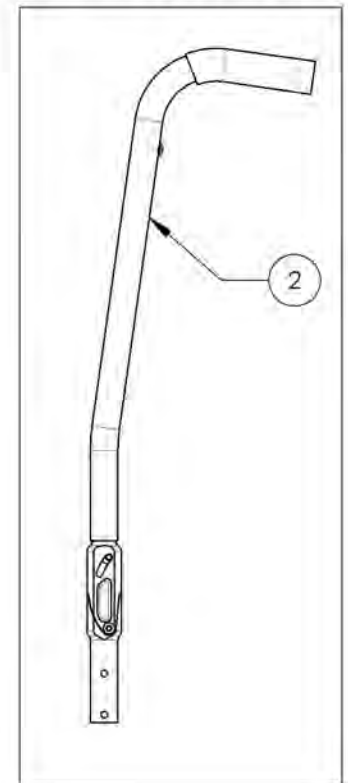
**9007613\_9007614**

**Back Cane - Alu, Angle Adj, 8° bend + Fixed Push Handle, with Tube Connect**

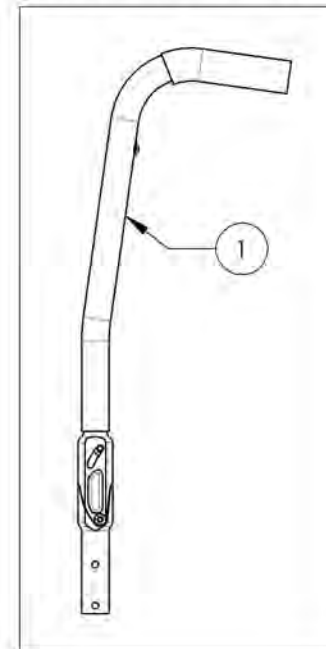


ITEM NO.	PARTNO	DESCRIPTION	9007613 /QTY.	9007614 /QTY.
1	32501	ALUMINIUM ADJUSTABLE ANGLE BACK 16" W_ FIXED PUSH HANDLE - ASSEMBLY (M)	1	-
2	32502	ALUMINIUM ADJUSTABLE ANGLE BACK 20" W_ FIXED PUSH HANDLE - ASSEMBLY (M)	-	1
3	32037	LOWER ADJUSTABLE BACKREST (M)	1	1
4	90663	BUTTON HEAD CAP SCREW M6X1 X 25mm LONG, FULLY THREADED	2	2
5	90647	BUTTON HEAD CAP SCREW M5X0.8 X 18mm LONG, FULLY THREADED + BLUE THREADLOCKER - BLACK ZINC	1	1
6	99802	TUBE CONNECT 1_4-20 FOR 0.75 - 0.775in ID	1	1

9007614  
Back Cane - Alu, Angle Adj,  
8° bend + Fixed Push Handle,  
20 in with Tube Connect



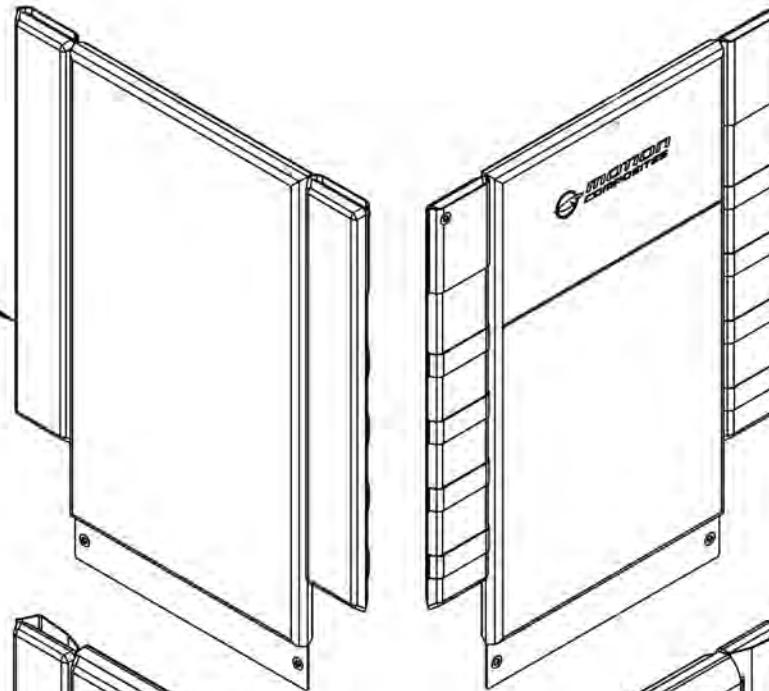
9007613  
Back Cane - Alu, Angle Adj,  
8° bend + Fixed Push Handle,  
16 in with Tube Connect



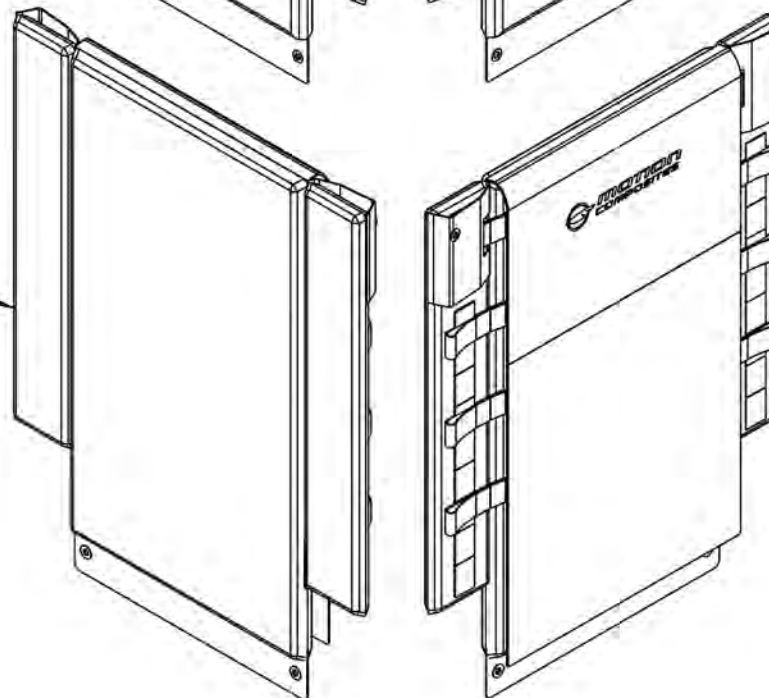
MAKE SURE TO HAVE YOUR SERIAL NUMBER NEARBY WHEN ORDERING PARTS FOR YOUR MOTION COMPOSITES WHEELCHAIR

**Upholstery & Seating Catalogue**  
**Back Upholstery - Slip On & Adjustable Tension, Nylon**

SLIP ON BACK UPHOLSTERY NYLON  
REFER TO ITEM  
# 9007700\_9007744  
FOR LENGTH & WIDTH



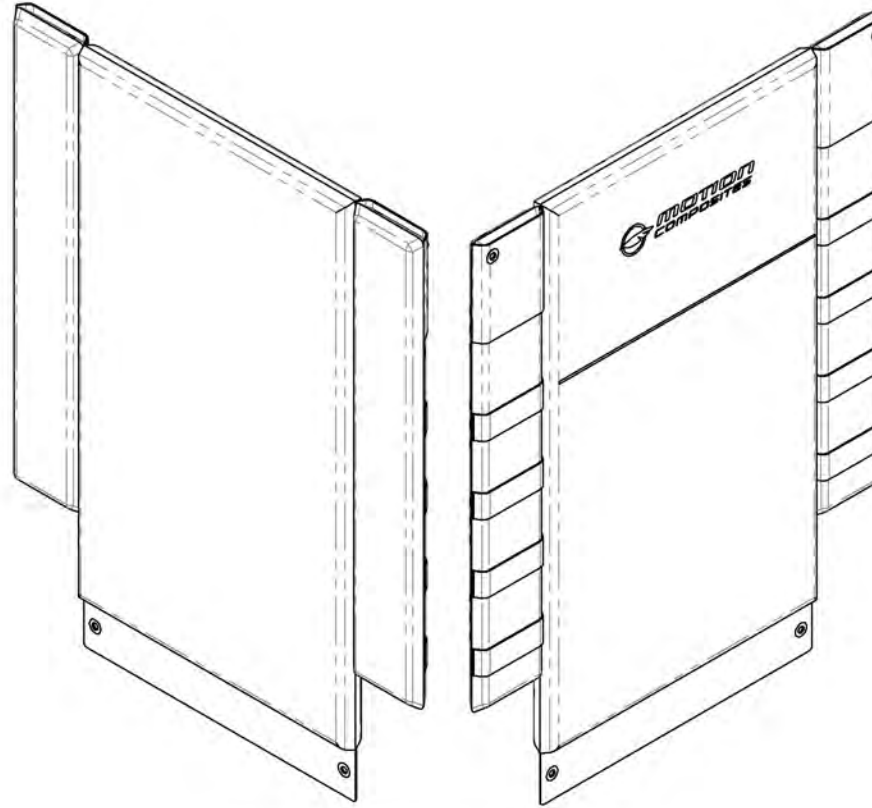
ADJUSTABLE TENSION BACK UPHOLSTERY  
NYLON  
REFER TO ITEM  
# 9007745\_9007789  
FOR LENGTH & WIDTH



MAKE SURE TO HAVE YOUR SERIAL NUMBER  
NEARBY WHEN ORDERING PARTS FOR YOUR  
MOTION COMPOSITES WHEELCHAIR



**9007700\_9007744**  
**Back Upholstery - Slip On, Nylon**

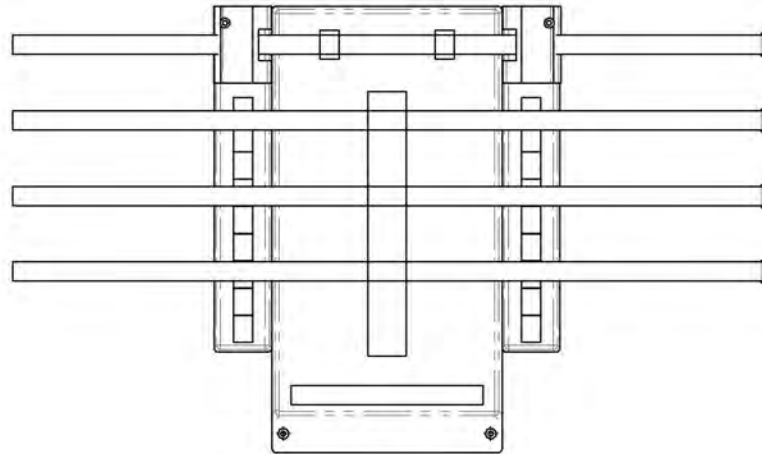
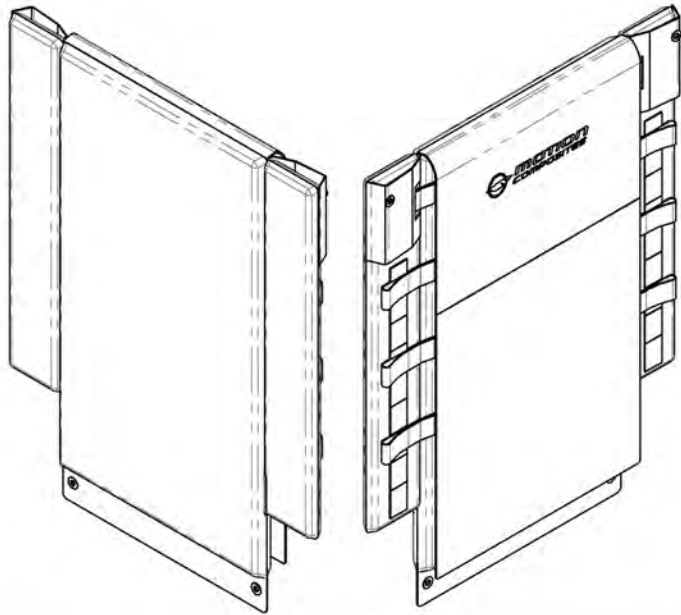


SLIP ON BACK UPHOLSTERY		LENGTH in inches (cm)				
		9-12 (22.9-30.5)	12-15 (30.5-38.1)	15-18 (38.1-45.7)	18-21 (45.7-53.3)	21-24 (53.3-60.9)
WIDTH in inches (cm)	14 (35.6)	9007700	9007701	9007702	9007703	9007704
	15 (38.1)	9007705	9007706	9007707	9007708	9007709
	16 (40.6)	9007710	9007711	9007712	9007713	9007714
	17 (43.2)	9007715	9007716	9007717	9007718	9007719
	18 (45.7)	9007720	9007721	9007722	9007723	9007724
	19 (48.3)	9007725	9007726	9007727	9007728	9007729
	20 (50.8)	9007730	9007731	9007732	9007733	9007734
	21 (53.3)	9007735	9007736	9007737	9007738	9007739
	22 (55.9)	9007740	9007741	9007742	9007743	9007744

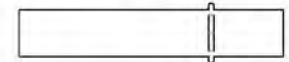
MAKE SURE TO HAVE YOUR SERIAL NUMBER  
 NEARBY WHEN ORDERING PARTS FOR YOUR  
 MOTION COMPOSITES WHEELCHAIR

9007745\_9007789

Back Upholstery - Adjustable Tension, Nylon



## BACKREST STRAP REPLACEMENT



1 in (25mm)  
Backrest Strap Width

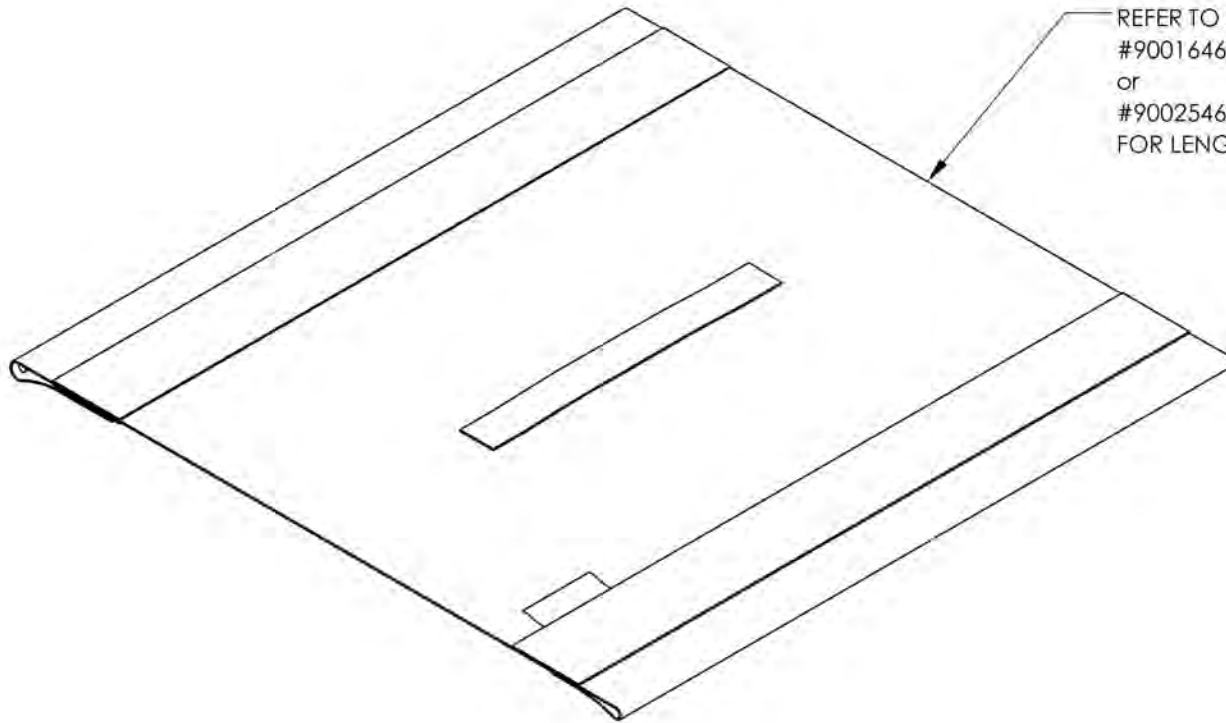
Part#	Backrest Width in (cm)
-------	---------------------------

60207	14 (35.6)
60208	15 (38.1)
60209	16 (40.6)
60210	17 (43.2)
60211	18 (45.7)
60212	19 (48.3)
60213	20 (50.8)
60214	21 (53.3)
60215	22 (55.9)

ADJUSTABLE TENSION BACK UPHOLSTERY NYLON		LENGTH in inches (cm)				
		9-12 (22.9-30.5)	12-15 (30.5-38.1)	15-18 (38.1-45.7)	18-21 (45.7-53.3)	21-24 (53.3-60.9)
WIDTH in inches (cm)	14 (35.6)	9007745	9007746	9007747	9007748	9007749
	15 (38.1)	9007750	9007751	9007752	9007753	9007754
	16 (40.6)	9007755	9007756	9007757	9007758	9007759
	17 (43.2)	9007760	9007761	9007762	9007763	9007764
	18 (45.7)	9007765	9007766	9007767	9007768	9007769
	19 (48.3)	9007770	9007771	9007772	9007773	9007774
	20 (50.8)	9007775	9007776	9007777	9007778	9007779
	21 (53.3)	9007780	9007781	9007782	9007783	9007784
	22 (55.9)	9007785	9007786	9007787	9007788	9007789

MAKE SURE TO HAVE YOUR SERIAL NUMBER  
NEARBY WHEN ORDERING PARTS FOR YOUR  
MOTION COMPOSITES WHEELCHAIR

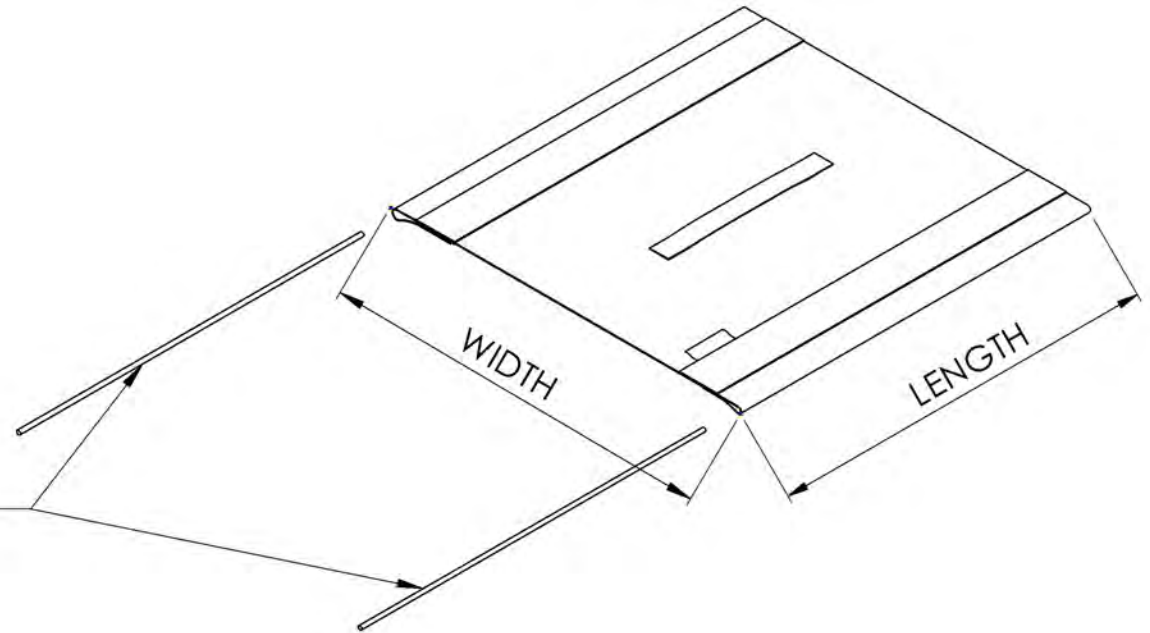
**Upholstery & Seating Catalogue**  
**Sliding Seat Slings Type 2**



REFER TO ITEM  
#9001646\_9001744 (with Hook)  
or  
#9002546\_9002644 (with Loop)  
FOR LENGTH & WIDTH

MAKE SURE TO HAVE YOUR SERIAL NUMBER  
NEARBY WHEN ORDERING PARTS FOR YOUR  
MOTION COMPOSITES WHEELCHAIR

**9001646 9001744**  
**Sliding Seat Slings Type 2 with Hook (Specify Size)**



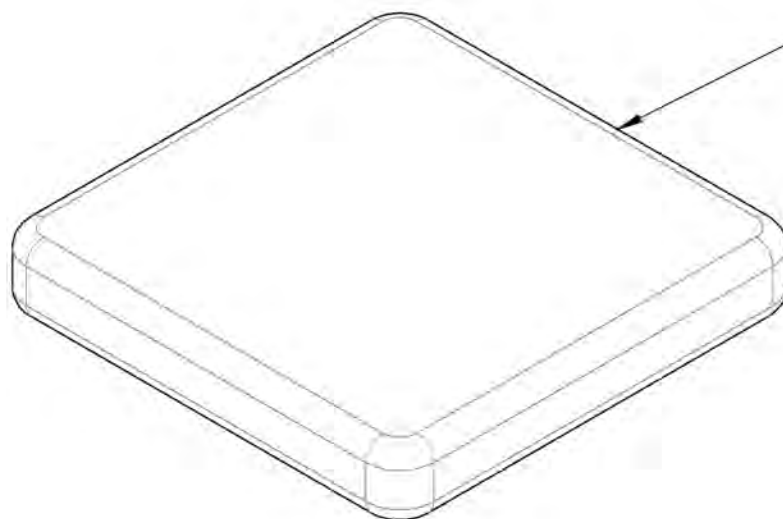
REPLACEMENT PARTS	
1x 12"Slotted Tube Guide	12173
1x 13"Slotted Tube Guide	12174
1x 14"Slotted Tube Guide	12175
1x 15"Slotted Tube Guide	12176
1x 16"Slotted Tube Guide	12177
1x 17"Slotted Tube Guide	12178
1x 18"Slotted Tube Guide	12179
1x 19"Slotted Tube Guide	12180
1x 20"Slotted Tube Guide	12181

(2X slotted tube guide included)		LENGTH in inches (cm)								
		12 (30.5)	13 (33.0)	14 (35.6)	15 (38.1)	16 (40.6)	17 (43.2)	18 (45.7)	19 (48.3)	20 (50.8)
WIDTH in inches (cm)	12 (30.5)	9001646	9001647	9001648	9001649	9001650	9001651	9001652	9001653	9001654
	13 (33.0)	9001655	9001656	9001657	9001658	9001659	9001660	9001661	9001662	9001663
	14 (35.6)	9001664	9001665	9001666	9001667	9001668	9001669	9001670	9001671	9001672
	15 (38.1)	9001673	9001674	9001675	9001676	9001677	9001678	9001679	9001680	9001681
	16 (40.6)	9001682	9001683	9001684	9001685	9001686	9001687	9001688	9001689	9001690
	17 (43.2)	9001691	9001692	9001693	9001694	9001695	9001696	9001697	9001698	9001699
	18 (45.7)	9001700	9001701	9001702	9001703	9001704	9001705	9001706	9001707	9001708
	19 (48.3)	9001709	9001710	9001711	9001712	9001713	9001714	9001715	9001716	9001717
	20 (50.8)	9001718	9001719	9001720	9001721	9001722	9001723	9001724	9001725	9001726
	21 (53.3)	9001727	9001728	9001729	9001730	9001731	9001732	9001733	9001734	9001735
22 (55.9)	9001736	9001737	9001738	9001739	9001740	9001741	9001742	9001743	9001744	

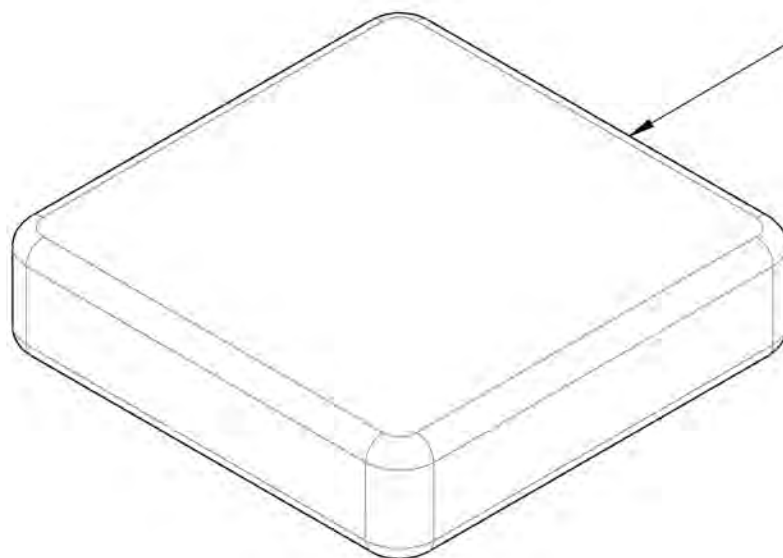
MAKE SURE TO HAVE YOUR SERIAL NUMBER  
 NEARBY WHEN ORDERING PARTS FOR YOUR  
 MOTION COMPOSITES WHEELCHAIR



**Upholstery & Seating Catalogue  
Cushions**



2 in CUSHIONS  
REFER TO ITEM  
#9001934\_9002032 (with Loop)  
or  
#9002645\_9002743 (with Hook)  
for LENGTH & WIDTH

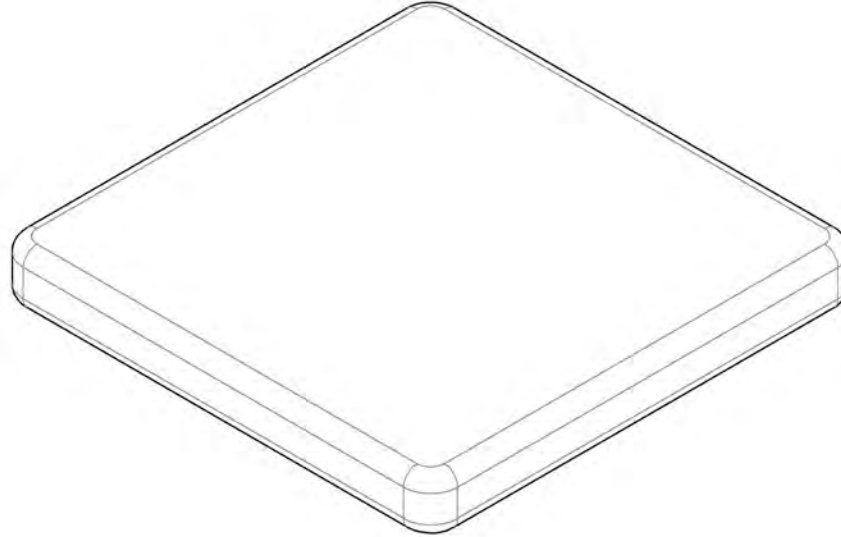


3 in CUSHIONS  
REFER TO ITEM  
#9002033\_9002131 (with Loop)  
or  
#9002744\_9002842 (with Hook)  
for LENGTH & WIDTH

MAKE SURE TO HAVE YOUR SERIAL NUMBER  
NEARBY WHEN ORDERING PARTS FOR YOUR  
MOTION COMPOSITES WHEELCHAIR

**9001934\_9002032**

**Cushion 2 in with Velcro Loop (Specify Size)**

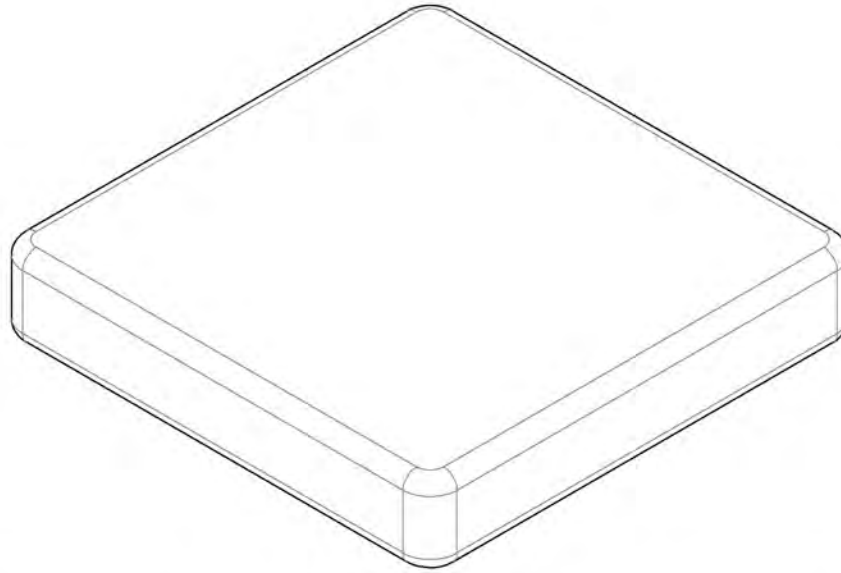


**2 in CUSHIONS PART NUMBERS FOR THE APPROPRIATE LENGTH AND WIDTH**

		LENGTH in inches (cm)								
		12 (30.5)	13 (33.0)	14 (35.6)	15 (38.1)	16 (40.6)	17 (43.2)	18 (45.7)	19 (48.3)	20 (50.8)
<b>WIDTH</b> in inches (cm)	12 (30.5)	9001934	9001935	9001936	9001937	9001938	9001939	9001940	9001941	9001942
	13 (33.0)	9001943	9001944	9001945	9001946	9001947	9001948	9001949	9001950	9001951
	14 (35.6)	9001952	9001953	9001954	9001955	9001956	9001957	9001958	9001959	9001960
	15 (38.1)	9001961	9001962	9001963	9001964	9001965	9001966	9001967	9001968	9001969
	16 (40.6)	9001970	9001971	9001972	9001973	9001974	9001975	9001976	9001977	9001978
	17 (43.2)	9001979	9001980	9001981	9001982	9001983	9001984	9001985	9001986	9001987
	18 (45.7)	9001988	9001989	9001990	9001991	9001992	9001993	9001994	9001995	9001996
	19 (48.3)	9001997	9001998	9001999	9002000	9002001	9002002	9002003	9002004	9002005
	20 (50.8)	9002006	9002007	9002008	9002009	9002010	9002011	9002012	9002013	9002014
	21 (53.3)	9002015	9002016	9002017	9002018	9002019	9002020	9002021	9002022	9002023
22 (55.9)	9002024	9002025	9002026	9002027	9002028	9002029	9002030	9002031	9002032	

MAKE SURE TO HAVE YOUR SERIAL NUMBER  
NEARBY WHEN ORDERING PARTS FOR YOUR  
MOTION COMPOSITES WHEELCHAIR

**9002033 9002131**  
**Cushion 3 in with Velcro Loop (Specify Size)**



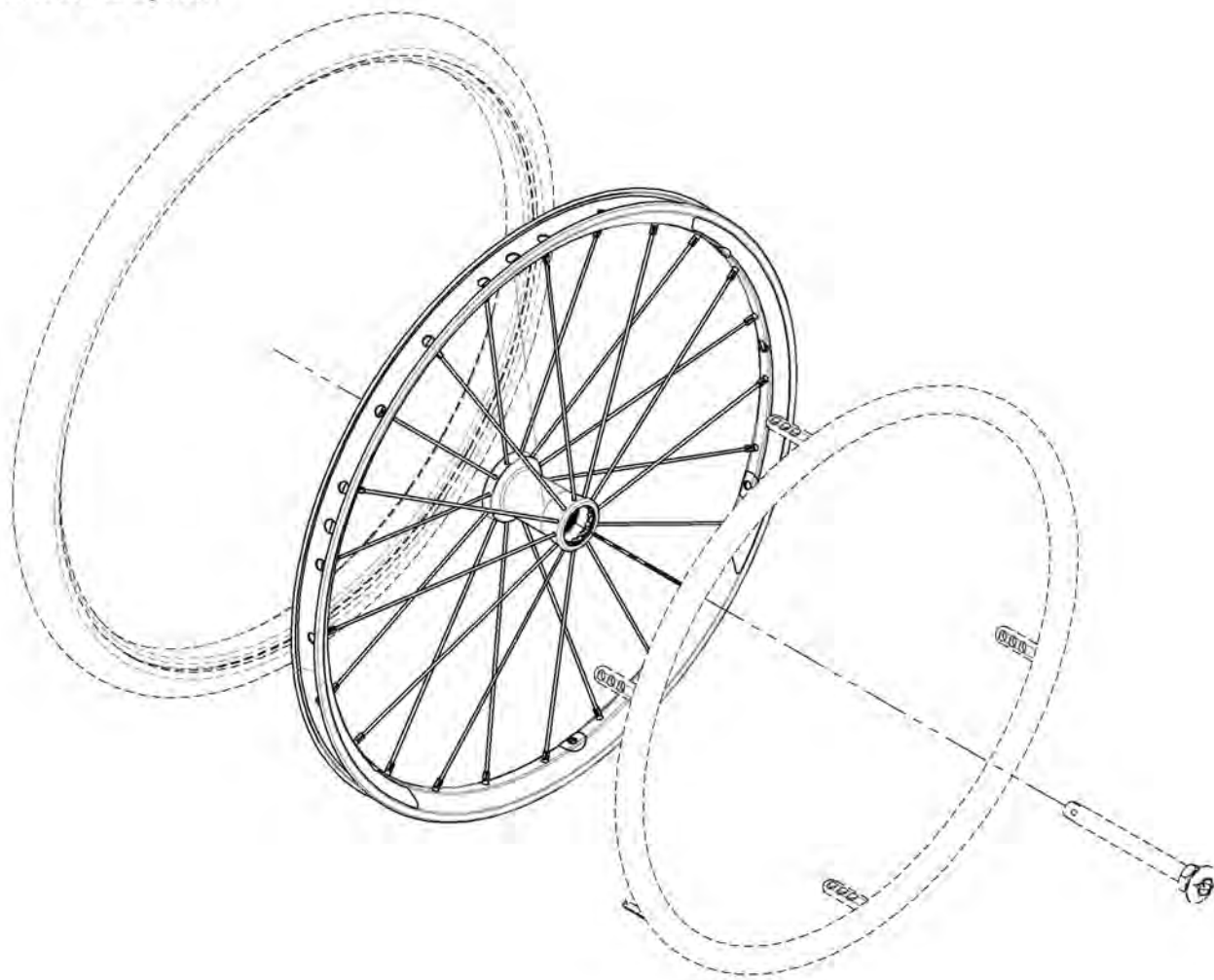
**3 in CUSHIONS PART NUMBERS FOR THE APPROPRIATE LENGTH AND WIDTH**

		LENGTH in inches (cm)								
		12 (30.5)	13 (33.0)	14 (35.6)	15 (38.1)	16 (40.6)	17 (43.2)	18 (45.7)	19 (48.3)	20 (50.8)
<b>WIDTH</b> in inches (cm)	12 (30.5)	9002033	9002034	9002035	9002036	9002037	9002038	9002039	9002040	9002041
	13 (33.0)	9002042	9002043	9002044	9002045	9002046	9002047	9002048	9002049	9002050
	14 (35.6)	9002051	9002052	9002053	9002054	9002055	9002056	9002057	9002058	9002059
	15 (38.1)	9002060	9002061	9002062	9002063	9002064	9002065	9002066	9002067	9002068
	16 (40.6)	9002069	9002070	9002071	9002072	9002073	9002074	9002075	9002076	9002077
	17 (43.2)	9002078	9002079	9002080	9002081	9002082	9002083	9002084	9002085	9002086
	18 (45.7)	9002087	9002088	9002089	9002090	9002091	9002092	9002093	9002094	9002095
	19 (48.3)	9002096	9002097	9002098	9002099	9002100	9002101	9002102	9002103	9002104
	20 (50.8)	9002105	9002106	9002107	9002108	9002109	9002110	9002111	9002112	9002113
	21 (53.3)	9002114	9002115	9002116	9002117	9002118	9002119	9002120	9002121	9002122
22 (55.9)	9002123	9002124	9002125	9002126	9002127	9002128	9002129	9002130	9002131	

MAKE SURE TO HAVE YOUR SERIAL NUMBER  
 NEARBY WHEN ORDERING PARTS FOR YOUR  
 MOTION COMPOSITES WHEELCHAIR



**Rear Wheels Catalogue**  
**Rear Wheels & Spokes**



ITEM NO.	PARTNO	DESCRIPTION	QTY.
1	9001483	Rear Wheel - Mag, 20 in	1
2	9001484	Rear Wheel - Mag, 22 in	1
3	9001485	Rear Wheel - Mag, 24 in	1
4	9001446	Rear Wheel - Newton One, 20 in	1
5	9001486	Rear Wheel - Newton One, 22 in	1
6	9001487	Rear Wheel - Newton One, 24 in	1
7	9001488	Rear Wheel - Newton Gravity, 20 in	1
8	9001489	Rear Wheel - Newton Gravity, 22 in	1
9	9001490	Rear Wheel - Newton Gravity, 24 in	1
10	9001491	Rear Wheel - Newton Gravity, 25 in	1
11	9001492	Rear Wheel - Newton Gravity, 26 in	1

**MAG WHEEL CAP  
REPLACEMENT**

**FOR 9001483, 9001484 & 9001485**

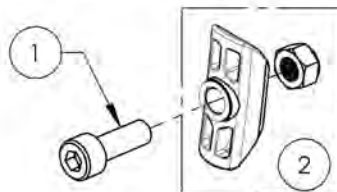
**Part#: 21108**

**BEARING REPLACEMENT**

**FOR ALL REAR WHEELS**

**Part#: 22011**

**HARDWARE INCLUDED WITH ALL NEWTON ONE WHEELS**



ITEM NO.	PARTNO	DESCRIPTION	9001446 /QTY.	9001486 /QTY.	9001487 /QTY.
1	90746	SOCKET CAP SCREW M5X0.8 X 15mm LONG, FULLY THREADED + BLUE TREADLOCKER - BLACK ZINC	6	6	6
2	21500	REAR WHEEL LOCKNUT INSERT - ASSEMBLY	6	6	6

**WHEEL SPOKES**

	NEWTON ONE (24)	NEWTON ONE (36)	NEWTON GRAVITY (24)		
	EXT. & INT. SILVER	EXT. & INT. SILVER	EXT. WHITE (1)	EXT. BLACK (11)	INT. BLACK (12)
20"	21271 (1)		21157	21156 (1)	21155 (1)
22"		21153 (1)	21160	21159 (1)	21158 (1)
24"		21154 (1)	21163	21162 (1)	21161 (1)
25"			21166	21165 (1)	21164 (1)
26"			21169	21168 (1)	21167 (1)
<b>NIPPLE</b>	21181 (SILVER NIPPLE)		21180 (BLACK NIPPLE)		

MAKE SURE TO HAVE YOUR SERIAL NUMBER NEARBY WHEN ORDERING PARTS FOR YOUR MOTION COMPOSITES WHEELCHAIR

**Rear Wheels Catalogue**  
**Spinergy Rear Wheels**

**BEARING REPLACEMENT**

**FOR ALL REAR WHEELS**

**Part#: 22011**



**SPINERGY SPOX**



**SPINERGY LX**

ITEM NO.	PARTNO	DESCRIPTION	QTY
1	9001494	Rear Wheel - Spinergy Spox, 22 in, Black	1
2	9001495	Rear Wheel - Spinergy Spox, 24 in, Black	1
3	9001496	Rear Wheel - Spinergy Spox, 25 in, Black	1
4	9001497	Rear Wheel - Spinergy Spox, 26 in, Black	1
5	9003413	Rear Wheel - Spinergy Spox, 22 in, Blue	1
6	9003414	Rear Wheel - Spinergy Spox, 24 in, Blue	1
7	9003415	Rear Wheel - Spinergy Spox, 25 in, Blue	1
8	9003416	Rear Wheel - Spinergy Spox, 26 in, Blue	1
9	9003418	Rear Wheel - Spinergy Spox, 22 in, Red	1
10	9003419	Rear Wheel - Spinergy Spox, 24 in, Red	1
11	9003420	Rear Wheel - Spinergy Spox, 25 in, Red	1
12	9003421	Rear Wheel - Spinergy Spox, 26 in, Red	1
13	9003433	Rear Wheel - Spinergy Spox, 22 in, Yellow	1
14	9003434	Rear Wheel - Spinergy Spox, 24 in, Yellow	1
15	9003435	Rear Wheel - Spinergy Spox, 25 in, Yellow	1
16	9003436	Rear Wheel - Spinergy Spox, 26 in, Yellow	1
17	9003443	Rear Wheel - Spinergy Spox, 22 in, White	1
18	9003444	Rear Wheel - Spinergy Spox, 24 in, White	1
19	9003445	Rear Wheel - Spinergy Spox, 25 in, White	1
20	9003446	Rear Wheel - Spinergy Spox, 26 in, White	1

ITEM NO.	PARTNO	DESCRIPTION	QTY.
21	9001498	Rear Wheel - Spinergy LX, 22 in, Black	1
22	9001499	Rear Wheel - Spinergy LX, 24 in, Black	1
23	9001500	Rear Wheel - Spinergy LX, 25 in, Black	1
24	9001501	Rear Wheel - Spinergy LX, 26 in, Black	1
25	9003448	Rear Wheel - Spinergy LX, 22 in, Blue	1
26	9003449	Rear Wheel - Spinergy LX, 24 in, Blue	1
27	9003450	Rear Wheel - Spinergy LX, 25 in, Blue	1
28	9003451	Rear Wheel - Spinergy LX, 26 in, Blue	1
29	9003453	Rear Wheel - Spinergy LX, 22 in, Red	1
30	9003454	Rear Wheel - Spinergy LX, 24 in, Red	1
31	9003455	Rear Wheel - Spinergy LX, 25 in, Red	1
32	9003456	Rear Wheel - Spinergy LX, 26 in, Red	1
33	9003458	Rear Wheel - Spinergy LX, 22 in, Green	1
34	9003459	Rear Wheel - Spinergy LX, 24 in, Green	1
35	9003460	Rear Wheel - Spinergy LX, 25 in, Green	1
36	9003461	Rear Wheel - Spinergy LX, 26 in, Green	1
37	9003463	Rear Wheel - Spinergy LX, 22 in, Orange	1
38	9003464	Rear Wheel - Spinergy LX, 24 in, Orange	1
39	9003465	Rear Wheel - Spinergy LX, 25 in, Orange	1
40	9003466	Rear Wheel - Spinergy LX, 26 in, Orange	1
41	9003468	Rear Wheel - Spinergy LX, 22 in, Yellow	1
42	9003469	Rear Wheel - Spinergy LX, 24 in, Yellow	1
43	9003470	Rear Wheel - Spinergy LX, 25 in, Yellow	1
44	9003471	Rear Wheel - Spinergy LX, 26 in, Yellow	1
45	9003473	Rear Wheel - Spinergy LX, 22 in, Pink	1
46	9003474	Rear Wheel - Spinergy LX, 24 in, Pink	1
47	9003475	Rear Wheel - Spinergy LX, 25 in, Pink	1
48	9003476	Rear Wheel - Spinergy LX, 26 in, Pink	1
49	9003478	Rear Wheel - Spinergy LX, 22 in, White	1
50	9003479	Rear Wheel - Spinergy LX, 24 in, White	1
51	9003480	Rear Wheel - Spinergy LX, 25 in, White	1
52	9003481	Rear Wheel - Spinergy LX, 26 in, White	1
53	9003482	Rear Wheel - Spinergy LX, 22 in, Purple	1
54	9003483	Rear Wheel - Spinergy LX, 24 in, Purple	1
55	9003484	Rear Wheel - Spinergy LX, 25 in, Purple	1
56	9003485	Rear Wheel - Spinergy LX, 26 in, Purple	1



**ONLY COLORS AVAILABLE  
FOR SPINERGY SPOX**

**MAKE SURE TO HAVE YOUR SERIAL NUMBER  
NEARBY WHEN ORDERING PARTS FOR YOUR  
MOTION COMPOSITES WHEELCHAIR**



**Rear Wheels Catalogue**  
**Spinergy CLX Blade Rear Wheels**



**SPINERGY CLX BLADE**

ITEM NO.	PARTNO	DESCRIPTION	QTY
1	9008122	Rear Wheel - Spinergy CLX Blade, 24 in, Black	1
2	9008123	Rear Wheel - Spinergy CLX Blade, 25 in, Black	1
3	9008127	Rear Wheel - Spinergy CLX Blade, 24 in, Blue	1
4	9008128	Rear Wheel - Spinergy CLX Blade, 25 in, Blue	1
5	9008132	Rear Wheel - Spinergy CLX Blade, 24 in, Red	1
6	9008133	Rear Wheel - Spinergy CLX Blade, 25 in, Red	1
7	9008137	Rear Wheel - Spinergy CLX Blade, 24 in, Green	1
8	9008138	Rear Wheel - Spinergy CLX Blade, 25 in, Green	1
9	9008142	Rear Wheel - Spinergy CLX Blade, 24 in, Orange	1
10	9008143	Rear Wheel - Spinergy CLX Blade, 25 in, Orange	1
11	9008147	Rear Wheel - Spinergy CLX Blade, 24 in, Yellow	1
12	9008148	Rear Wheel - Spinergy CLX Blade, 25 in, Yellow	1
13	9008152	Rear Wheel - Spinergy CLX Blade, 24 in, Pink	1
14	9008153	Rear Wheel - Spinergy CLX Blade, 25 in, Pink	1
15	9008157	Rear Wheel - Spinergy CLX Blade, 24 in, White	1
16	9008158	Rear Wheel - Spinergy CLX Blade, 25 in, White	1
17	9008162	Rear Wheel - Spinergy CLX Blade, 24 in, Purple	1
18	9008163	Rear Wheel - Spinergy CLX Blade, 25 in, Purple	1

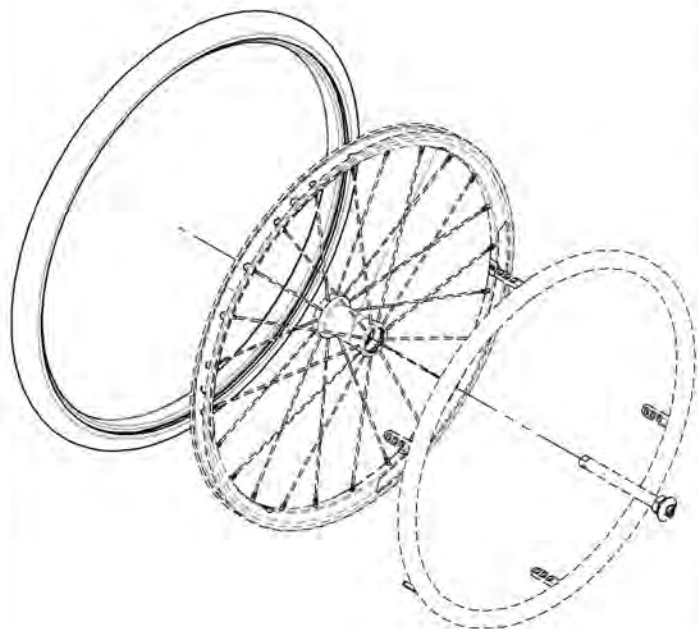


**BEARING REPLACEMENT**  
**FOR ALL REAR WHEELS**  
 Part#: **22011**



MAKE SURE TO HAVE YOUR SERIAL NUMBER  
 NEARBY WHEN ORDERING PARTS FOR YOUR  
 MOTION COMPOSITES WHEELCHAIR

## Rear Wheels Catalogue Tires



**TUBE AND RIM TAPE ARE ALREADY  
INCLUDED WITH ALL PNEUMATIC TIRES**

ITEM NO.	PARTNO	DESCRIPTION	QTY.
1	9001507	Tire - Soft Urethane, 1 1/4 x 20 in	1
2	9001508	Tire - Soft Urethane, 1 1/4 x 22 in	1
3	9001509	Tire - Soft Urethane, 1 1/4 x 24 in	1
4	9001510	Tire & Components - Pneumatic, Standard Pressure, 1 3/8 x 20 in	1
	21315	PNEUMATIC TIRE 20x1-3/8in	1
	21255	20" x1 3/8" TUBE	1
	21064	RIM TAPE 20in	1
5	9001511	Tire & Components - Pneumatic, Standard Pressure, 1 3/8 x 22 in	1
	21316	PNEUMATIC TIRE 22x1-3/8in	1
	21256	22" x1 3/8" TUBE	1
	21065	RIM TAPE 22in	1
6	9001512	Tire & Components - Pneumatic, Standard Pressure, 1 3/8 x 24 in	1
	21317	PNEUMATIC TIRE 24x1-3/8in	1
	21257	24" x1 3/8" TUBE	1
	21066	RIM TAPE 24in	1
7	9001513	Tire & Components - Pneumatic, Standard Pressure, 1 3/8 x 25 in	1
	21318	PNEUMATIC TIRE 25x1-3/8in	1
	21253	25"x1" TUBE	1
	21067	RIM TAPE 25in	1
8	9001514	Tire & Components - Pneumatic, Standard Pressure, 1 3/8 x 26 in	1
	21319	PNEUMATIC TIRE 26x1-3/8in	1
	21259	26" x1 3/8" TUBE	1
	21068	RIM TAPE 26in	1
9	9001515	Tire - Pyramid, 1 x 22 in	1
10	9001516	Tire - Pyramid, 1 x 24 in	1
11	9001517	Tire & Components - Schwalbe Rightrun HP, 1 x 20 in	1
	21305	IRONCAP/RIGHTRUN 1" HP TIRE 20"	1
	21250	20"x1" TUBE	1
	21064	RIM TAPE 20in	1
12	9001518	Tire & Components - Schwalbe Rightrun HP, 1 x 22 in	1
	21306	IRONCAP/RIGHTRUN 1" HP TIRE 22"	1
	21251	22"x1" TUBE	1
	21065	RIM TAPE 22in	1
13	9001519	Tire & Components - Schwalbe Rightrun HP, 1 x 24 in	1
	21307	IRONCAP/RIGHTRUN 1" HP TIRE 24"	1
	21252	24"x1" TUBE	1
	21066	RIM TAPE 24in	1
14	9001520	Tire & Components - Schwalbe Rightrun HP, 1 x 25 in	1
	21308	IRONCAP/RIGHTRUN 1" HP TIRE 25"	1
	21253	25"x1" TUBE	1
	21067	RIM TAPE 25in	1
15	9001521	Tire & Components - Schwalbe Rightrun HP, 1 x 26 in	1
	21309	IRONCAP/RIGHTRUN 1" HP TIRE 26"	1
	21254	26"x1" TUBE	1
	21068	RIM TAPE 26in	1

ITEM NO.	PARTNO	DESCRIPTION	QTY.
16	9001522	Tire & Components - Kenda Kourier HP, 1 3/8 x 24 in	1
	21322	24"x1 3/8" KOURIER TIRE	1
	21257	24" x1 3/8" TUBE	1
	21066	RIM TAPE 24in	1
17	9001523	Tire & Components - Kenda Kourier HP, 1 3/8 x 26 in	1
	21324	26"x1 3/8" KOURIER TIRE	1
	21259	26" x1 3/8" TUBE	1
	21068	RIM TAPE 26in	1
18	9001524	Tire - Soft Urethane SHOX HP, 1 x 22 in	1
19	9001525	Tire - Soft Urethane SHOX HP, 1 x 24 in	1
20	9001526	Tire - Soft Urethane SHOX HP, 1 x 25 in	1
21	9001527	Tire - Soft Urethane SHOX HP, 1 x 26 in	1
22	9001528	Tire & Components - Schwalbe Marathon Plus, 1 x 24 in	1
	21252	24"x1" TUBE	1
	21066	RIM TAPE 24in	1
	21312	24x1 in HP TIRE MARATHON PLUS	1
23	9001529	Tire & Components - Schwalbe Marathon Plus, 1 x 25 in	1
	21253	25"x1" TUBE	1
	21067	RIM TAPE 25in	1
	21313	25x1 in HP TIRE MARATHON PLUS	1
24	9001530	Tire & Components - Schwalbe Marathon Plus, 1 x 26 in	1
	21254	26"x1" TUBE	1
	21068	RIM TAPE 26in	1
	21314	26x1 in HP TIRE MARATHON PLUS	1
25	9002521	Tire - Soft Urethane, Knobby, 1 3/8 x 22 in	1
26	9002235	Tire - Soft Urethane, Knobby, 1 3/8 x 24 in	1
27	9002264	Tire - Soft Urethane, Knobby, 1 3/8 x 25 in	1
28	9002265	Tire - Soft Urethane, Knobby, 1 3/8 x 26 in	1
29	9003044	Tire & Components - Pneumatic, Knobby, 2 x 22 in	1
	21379	22inx2in KNOBBY STYLE PNEUMATIC TIRE	1
	21265	22inx2in TUBE	1
	21065	RIM TAPE 22in	1
30	9003045	Tire & Components - Pneumatic, Knobby, 2 x 24 in	1
	21380	24inx2in KNOBBY STYLE PNEUMATIC TIRE	1
	21266	24inx2in TUBE	1
	21066	RIM TAPE 24in	1
31	9003046	Tire & Components - Pneumatic, Knobby, 2 x 25 in	1
	21381	25inx2in KNOBBY STYLE PNEUMATIC TIRE	1
	21267	25inx2in TUBE	1
	21067	RIM TAPE 25in	1

MAKE SURE TO HAVE YOUR SERIAL NUMBER  
NEARBY WHEN ORDERING PARTS FOR YOUR  
MOTION COMPOSITES WHEELCHAIR

**Rear Wheels Catalogue  
Handrims**

**CUTTING FEES**

Available only for 9001537, 9001539, 9001540 & 9001541

**9003632**

Handrim Tabs cutting, Narrow Position

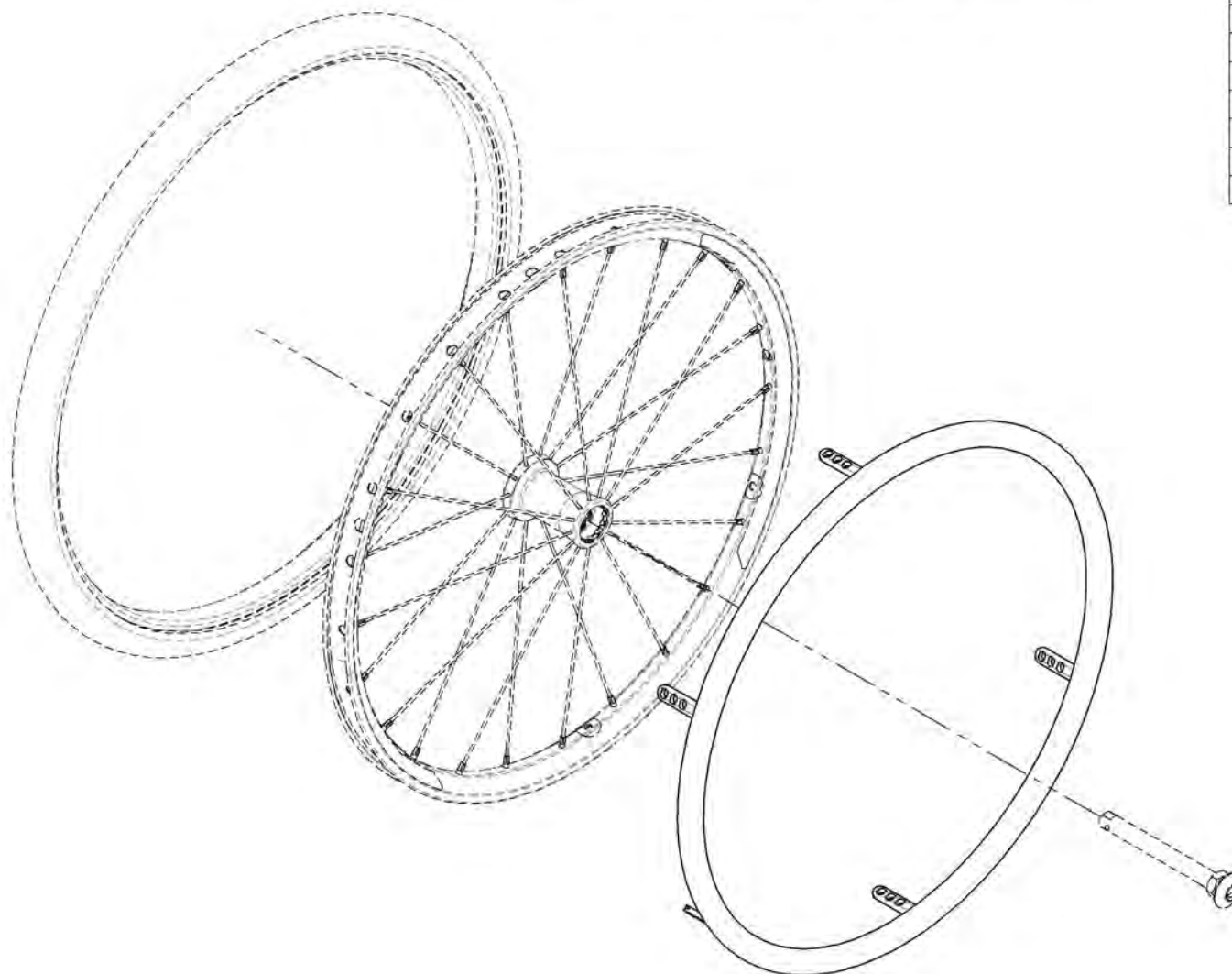
**9003633**

Handrim Tabs cutting, Super Narrow Position

**HANDRIM TAB STICKERS**

**9003634**

Contact Joint Stickers for Handrim Tabs

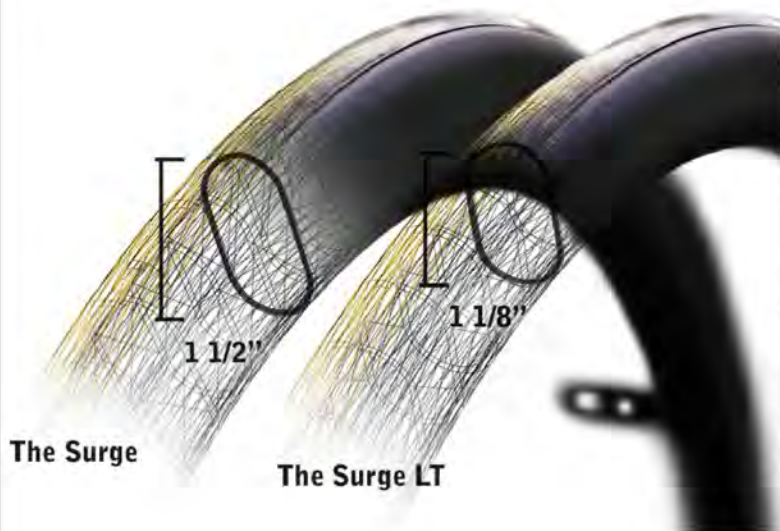


ITEM NO.	PARTNO	DESCRIPTION	QTY.
1	9001531	Handrim For Mag - Anodized Aluminum, 20 in	1
2	9001532	Handrim For Mag - Anodized Aluminum, 22 in	1
3	9001533	Handrim For Mag - Anodized Aluminum, 24 in	1
4	9001534	Handrim For Mag - Plastic Coated, 20 in	1
5	9001535	Handrim For Mag - Plastic Coated, 22 in	1
6	9001536	Handrim For Mag - Plastic Coated, 24 in	1
7	9001537	Handrim - Anodized Aluminum, 20 in	1
8	9001538	Handrim - Anodized Aluminum, 22 in	1
9	9001539	Handrim - Anodized Aluminum, 24 in	1
10	9001540	Handrim - Anodized Aluminum, 25 in	1
11	9001541	Handrim - Anodized Aluminum, 26 in	1
12	9001542	Handrim - Plastic Coated, 20 in	1
13	9001543	Handrim - Plastic Coated, 22 in	1
14	9001544	Handrim - Plastic Coated, 24 in	1
15	9001545	Handrim - Plastic Coated, 25 in	1
16	9001546	Handrim - Plastic Coated, 26 in	1
17	9001548	Handrim - Q-Grip High Friction Coated Foam, 22 in	1
18	9001549	Handrim - Q-Grip High Friction Coated Foam, 24 in	1
19	9001550	Handrim - Q-Grip High Friction Coated Foam, 25 in	1
20	9001551	Handrim - Q-Grip High Friction Coated Foam, 26 in	1

MAKE SURE TO HAVE YOUR SERIAL NUMBER NEARBY WHEN ORDERING PARTS FOR YOUR MOTION COMPOSITES WHEELCHAIR



**Rear Wheels Catalogue  
Surge & Natural Fit Handrims**



ITEM NO.	PARTNO	DESCRIPTION	QTY
1	9002209	Handrim - Surge, 22 in	1
2	9002210	Handrim - Surge, 24 in	1
3	9002211	Handrim - Surge, 25 in	1
4	9002212	Handrim - Surge, 26 in	1
5	9001555	Handrim - Surge LT, 22 in	1
6	9001556	Handrim - Surge LT, 24 in	1
7	9001576	Handrim - Surge LT, 25 in	1
8	9001578	Handrim - Surge LT, 26 in	1
9	9003274	Handrim - Natural Fit, 22 in	1
10	9003275	Handrim - Natural Fit, 24 in	1
11	9003276	Handrim - Natural Fit, 25 in	1
12	9003277	Handrim - Natural Fit, 26 in	1
13	9001552	Handrim - Natural Fit, Standard Grip, 22 in	1
	21221	NATURAL FIT HANDRIM 22in	1
	21226	NATURAL FIT THUMB PIECE 22in	1
14	9001553	Handrim - Natural Fit, Standard Grip, 24 in	1
	21222	NATURAL FIT HANDRIM 24in	1
	21227	NATURAL FIT THUMB PIECE 24in	1
15	9002849	Handrim - Natural Fit, Standard Grip, 25 in	1
	21223	NATURAL FIT HANDRIM 25in	1
	21228	NATURAL FIT THUMB PIECE 25in	1
16	9001554	Handrim - Natural Fit, Standard Grip, 26 in	1
	21224	NATURAL FIT HANDRIM 26in	1
	21229	NATURAL FIT THUMB PIECE 26in	1

ITEM NO.	PARTNO	DESCRIPTION	QTY
17	9003278	Handrim - Natural Fit, Super Grip, 22 in	1
	21221	NATURAL FIT HANDRIM 22in	1
	21243	NATURAL FIT SUPER GRIP THUMB PIECE 22in	1
18	9003279	Handrim - Natural Fit, Super Grip, 24 in	1
	21222	NATURAL FIT HANDRIM 24in	1
	21244	NATURAL FIT SUPER GRIP THUMB PIECE 24in	1
19	9003280	Handrim - Natural Fit, Super Grip, 25 in	1
	21223	NATURAL FIT HANDRIM 25in	1
	21245	NATURAL FIT SUPER GRIP THUMB PIECE 25in	1
20	9003281	Handrim - Natural Fit, Super Grip, 26 in	1
	21224	NATURAL FIT HANDRIM 26in	1
	21246	NATURAL FIT SUPER GRIP THUMB PIECE 26in	1
21	9002206	Handrim - Natural Fit LT, 22 in	1
22	9002207	Handrim - Natural Fit LT, 24 in	1
23	9002147	Handrim - Natural Fit LT, 25 in	1
24	9002208	Handrim - Natural Fit LT, 26 in	1
25	9003282	Handrim - Natural Fit LT, Standard Grip, 22 in	1
	21272	NATURAL FIT LT HANDRIM 22in	1
	21226	NATURAL FIT THUMB PIECE 22in	1
26	9003283	Handrim - Natural Fit LT, Standard Grip, 24 in	1
	21273	NATURAL FIT LT HANDRIM 24in	1
	21227	NATURAL FIT THUMB PIECE 24in	1
27	9003284	Handrim - Natural Fit LT, Standard Grip, 25 in	1
	21274	NATURAL FIT LT HANDRIM 25in	1
	21228	NATURAL FIT THUMB PIECE 25in	1
28	9003285	Handrim - Natural Fit LT, Standard Grip, 26 in	1
	21275	NATURAL FIT LT HANDRIM 26in	1
	21229	NATURAL FIT THUMB PIECE 26in	1



MAKE SURE TO HAVE YOUR SERIAL NUMBER NEARBY WHEN ORDERING PARTS FOR YOUR MOTION COMPOSITES WHEELCHAIR



## Rear Wheels Catalogue Newton Air Grip Handrims



BLACK  
NOIR



SUNKISSED ORANGE  
ORANGE TANGERINE



STEEL BLUE  
BLEU ACIER



SKY BLUE  
BLEU CIEL



CHARCOAL  
ANTHRACITE



FERRARI RED  
ROUGE FERRARI



SAPPHIRE BLUE  
BLEU SAPHIRE



WHITE  
BLANC



BURGUNDY  
BOURGOGNE



MONSTER GREEN  
VERT MONSTRE



FUCHSIA



ACID GREEN  
VERT ACIDE

ITEM NO.	PARTNO	DESCRIPTION	QTY.
1	9002962	Handrim - Newton Air Grip, 20 in - Black	1
2	9002963	Handrim - Newton Air Grip, 22 in - Black	1
3	9002964	Handrim - Newton Air Grip, 24 in - Black	1
4	9002965	Handrim - Newton Air Grip, 25 in - Black	1
5	9002966	Handrim - Newton Air Grip, 26 in - Black	1
6	9002967	Handrim - Newton Air Grip, 20 in - Sunkissed Orange	1
7	9002968	Handrim - Newton Air Grip, 22 in - Sunkissed Orange	1
8	9002969	Handrim - Newton Air Grip, 24 in - Sunkissed Orange	1
9	9002970	Handrim - Newton Air Grip, 25 in - Sunkissed Orange	1
10	9002971	Handrim - Newton Air Grip, 26 in - Sunkissed Orange	1
11	9002972	Handrim - Newton Air Grip, 20 in - Steel Blue	1
12	9002973	Handrim - Newton Air Grip, 22 in - Steel Blue	1
13	9002974	Handrim - Newton Air Grip, 24 in - Steel Blue	1
14	9002975	Handrim - Newton Air Grip, 25 in - Steel Blue	1
15	9002976	Handrim - Newton Air Grip, 26 in - Steel Blue	1
16	9002977	Handrim - Newton Air Grip, 20 in - Sky Blue	1
17	9002978	Handrim - Newton Air Grip, 22 in - Sky Blue	1
18	9002979	Handrim - Newton Air Grip, 24 in - Sky Blue	1
19	9002980	Handrim - Newton Air Grip, 25 in - Sky Blue	1
20	9002981	Handrim - Newton Air Grip, 26 in - Sky Blue	1
21	9002982	Handrim - Newton Air Grip, 20 in - Charcoal	1
22	9002983	Handrim - Newton Air Grip, 22 in - Charcoal	1
23	9002984	Handrim - Newton Air Grip, 24 in - Charcoal	1
24	9002985	Handrim - Newton Air Grip, 25 in - Charcoal	1
25	9002986	Handrim - Newton Air Grip, 26 in - Charcoal	1
26	9002987	Handrim - Newton Air Grip, 20 in - Ferrari Red	1
27	9002988	Handrim - Newton Air Grip, 22 in - Ferrari Red	1
28	9002989	Handrim - Newton Air Grip, 24 in - Ferrari Red	1
29	9002990	Handrim - Newton Air Grip, 25 in - Ferrari Red	1
30	9002991	Handrim - Newton Air Grip, 26 in - Ferrari Red	1

ITEM NO.	PARTNO	DESCRIPTION	QTY.
31	9002992	Handrim - Newton Air Grip, 20 in - Sapphire Blue	1
32	9002993	Handrim - Newton Air Grip, 22 in - Sapphire Blue	1
33	9002994	Handrim - Newton Air Grip, 24 in - Sapphire Blue	1
34	9002995	Handrim - Newton Air Grip, 25 in - Sapphire Blue	1
35	9002996	Handrim - Newton Air Grip, 26 in - Sapphire Blue	1
36	9002997	Handrim - Newton Air Grip, 20 in - White	1
37	9002998	Handrim - Newton Air Grip, 22 in - White	1
38	9002999	Handrim - Newton Air Grip, 24 in - White	1
39	9003000	Handrim - Newton Air Grip, 25 in - White	1
40	9003001	Handrim - Newton Air Grip, 26 in - White	1
41	9003002	Handrim - Newton Air Grip, 20 in - Burgundy	1
42	9003003	Handrim - Newton Air Grip, 22 in - Burgundy	1
43	9003004	Handrim - Newton Air Grip, 24 in - Burgundy	1
44	9003005	Handrim - Newton Air Grip, 25 in - Burgundy	1
45	9003006	Handrim - Newton Air Grip, 26 in - Burgundy	1
46	9003007	Handrim - Newton Air Grip, 20 in - Monster Green	1
47	9003008	Handrim - Newton Air Grip, 22 in - Monster Green	1
48	9003009	Handrim - Newton Air Grip, 24 in - Monster Green	1
49	9003010	Handrim - Newton Air Grip, 25 in - Monster Green	1
50	9003011	Handrim - Newton Air Grip, 26 in - Monster Green	1
51	9003012	Handrim - Newton Air Grip, 20 in - Fuchsia	1
52	9003013	Handrim - Newton Air Grip, 22 in - Fuchsia	1
53	9003014	Handrim - Newton Air Grip, 24 in - Fuchsia	1
54	9003015	Handrim - Newton Air Grip, 25 in - Fuchsia	1
55	9003016	Handrim - Newton Air Grip, 26 in - Fuchsia	1
56	9003017	Handrim - Newton Air Grip, 20 in - Acid Green	1
57	9003018	Handrim - Newton Air Grip, 22 in - Acid Green	1
58	9003019	Handrim - Newton Air Grip, 24 in - Acid Green	1
59	9003020	Handrim - Newton Air Grip, 25 in - Acid Green	1
60	9003021	Handrim - Newton Air Grip, 26 in - Acid Green	1

### CUTTING FEES

Only Available for 20, 24, 25 & 26 in Handrim

#### 9003632

Handrim Tabs cutting, Narrow Position

#### 9003633

Handrim Tabs cutting, Super Narrow Position

### HANDRIM TAB STICKERS

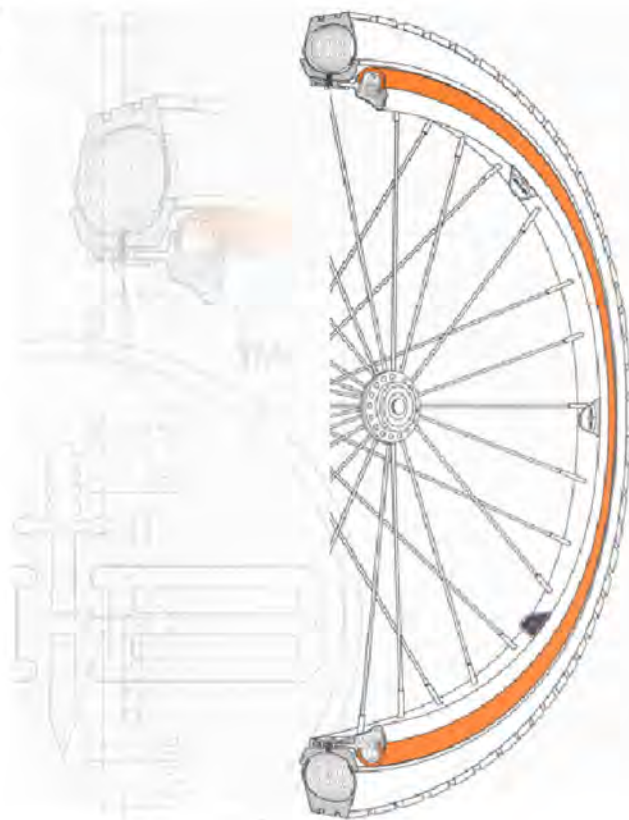
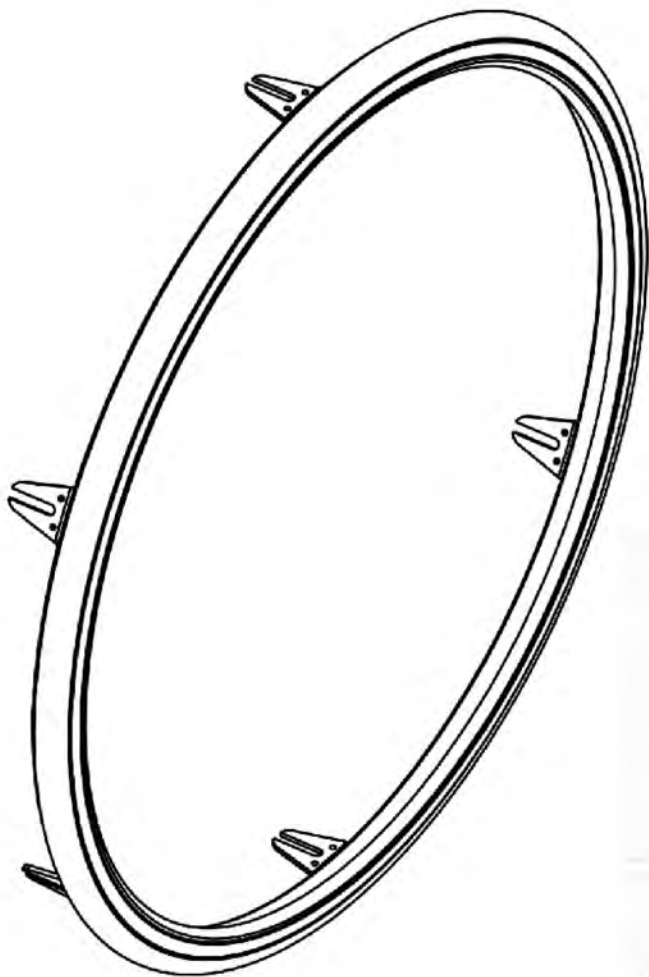
#### 9003634

Contact Joint Stickers for Handrim Tabs

MAKE SURE TO HAVE YOUR SERIAL NUMBER  
NEARBY WHEN ORDERING PARTS FOR YOUR  
MOTION COMPOSITES WHEELCHAIR



**Rear Wheels Catalogue**  
**BBraver Handrims**

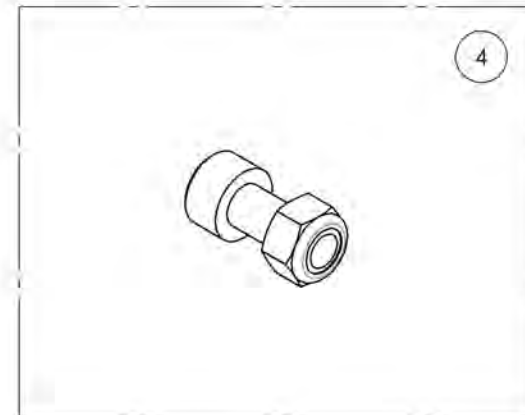
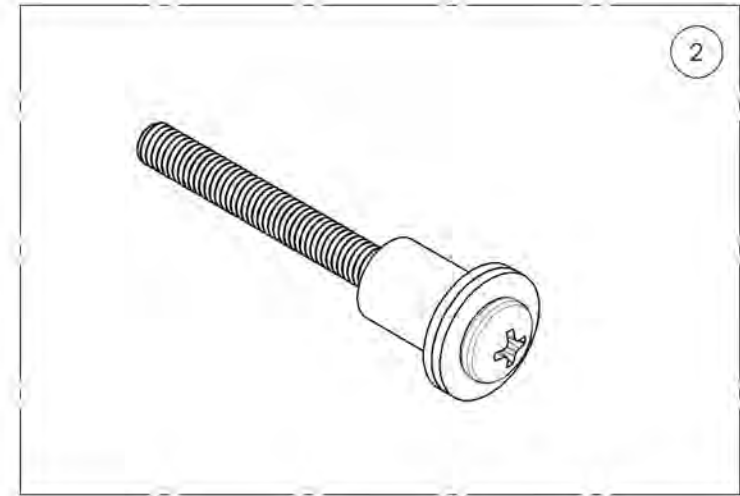
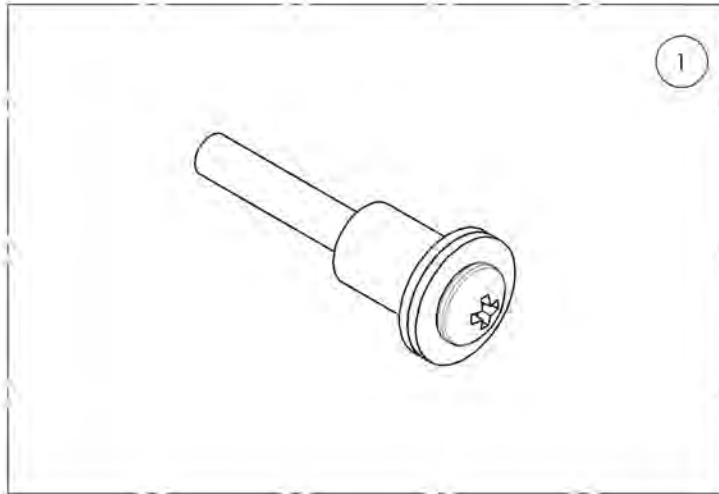


ITEM NO.	PARTNO	DESCRIPTION	QTY.
1	9002532	BBraver - Rough Rider Handrim, 24 in, White, Short (Pair) (RW-S-WW-24)	1
2	9002533	BBraver - Rough Rider Handrim, 24 in, White, Long (Pair) (RW-L-WW-24)	1
3	9002534	BBraver - Rough Rider Handrim, 25 in, White, Short (Pair) (RW-S-WW-25)	1
4	9002535	BBraver - Rough Rider Handrim, 25 in, White, Long (Pair) (RW-L-WW-25)	1
5	9002536	BBraver - Rough Rider Handrim, 24 in, Orange, Short (Pair) (RO-S-OB-24)	1
6	9002537	BBraver - Rough Rider Handrim, 24 in, Orange, Long (Pair) (RO-L-OB-24)	1
7	9002538	BBraver - Rough Rider Handrim, 25 in, Orange, Short (Pair) (RO-S-OB-25)	1
8	9002539	BBraver - Rough Rider Handrim, 25 in, Orange, Long (Pair) (RO-L-OB-25)	1
9	9002540	BBraver - Rough Rider Handrim, 24 in, Black, Short (Pair) (RB-S-BB-24)	1
10	9002541	BBraver - Rough Rider Handrim, 24 in, Black, Long (Pair) (RB-L-BB-24)	1
11	9002542	BBraver - Rough Rider Handrim, 25 in, Black, Short (Pair) (RB-S-BB-25)	1
12	9002543	BBraver - Rough Rider Handrim, 25 in, Black, Long (Pair) (RB-L-BB-25)	1
13	9002544	BBraver - Rough Rider Handrim, 26 in, Black, Short (Pair) (RB-S-BB-26)	1
14	9002545	BBraver - Rough Rider Handrim, 26 in, Black, Long (Pair) (RB-L-BB-26)	1

MAKE SURE TO HAVE YOUR SERIAL NUMBER  
 NEARBY WHEN ORDERING PARTS FOR YOUR  
 MOTION COMPOSITES WHEELCHAIR

**Rear Wheels Catalogue  
Handrim Hardwares**

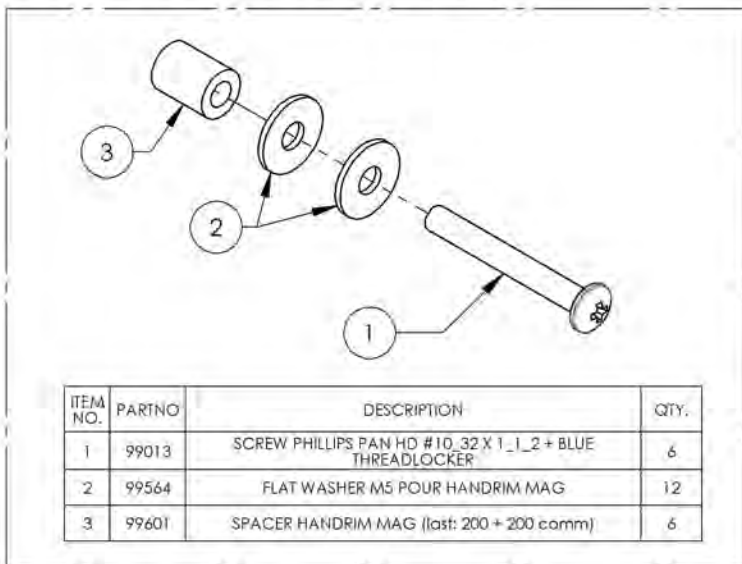
ITEM NO.	PARTNO	DESCRIPTION	QTY.
1	9001006	Handrim - Installation Hardware for Mag 20 in	1
2	9001558	Handrim - Installation Hardware for Mag 22 & 24 in	1
3	9001559	Handrim - Installation Hardware For Newton One	1
4	9001560	Handrim - Installation Hardware For Newton Gravity, Spinergy LX, Spinergy SPOX	1



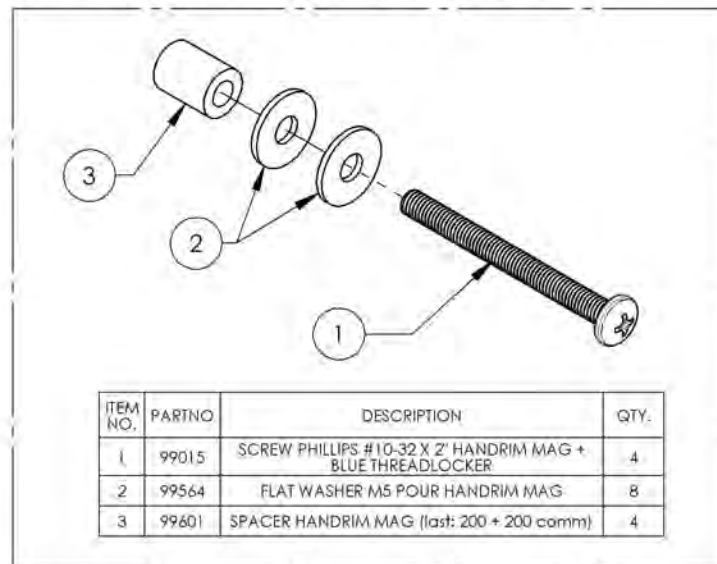
MAKE SURE TO HAVE YOUR SERIAL NUMBER  
NEARBY WHEN ORDERING PARTS FOR YOUR  
MOTION COMPOSITES WHEELCHAIR

**9001006 & 9001558 9001560**  
**Handrim - Installation Hardware**

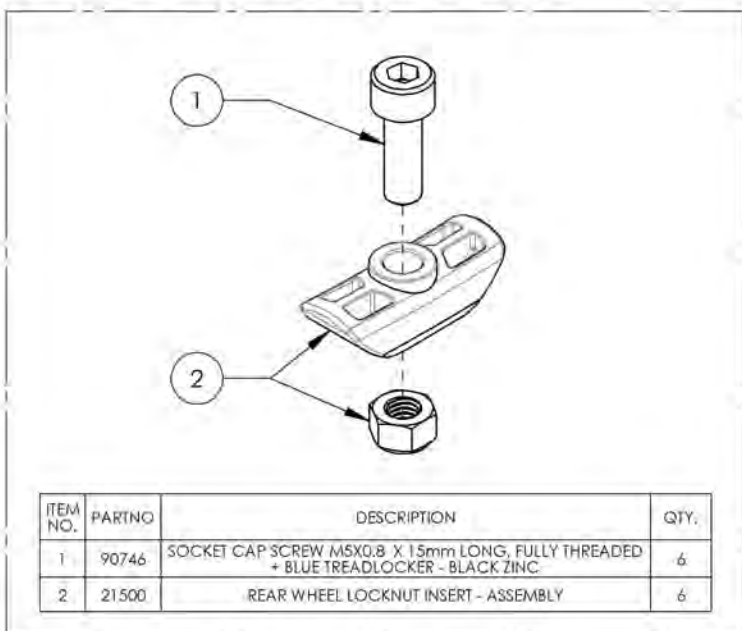
9001006  
 Handrim - Installation Hardware for Mag 20 in



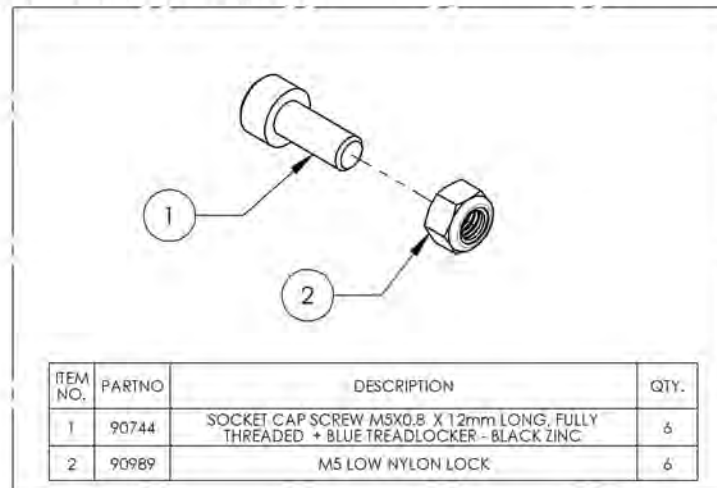
9001558  
 Handrim - Installation Hardware for Mag 22 & 24 in



9001559  
 Handrim - Installation Hardware For Newton One



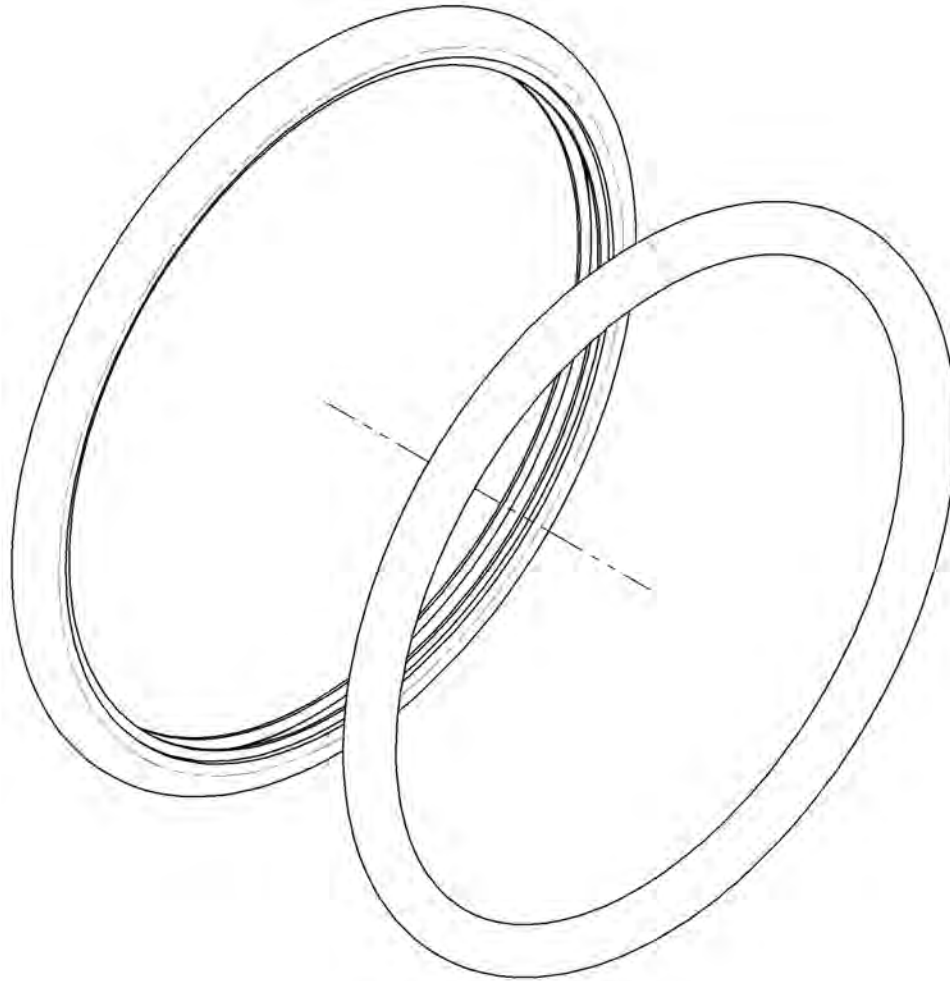
9001560  
 Handrim - Installation Hardware For Newton Gravity, Spinergy LX, Spinergy SPOX



MAKE SURE TO HAVE YOUR SERIAL NUMBER NEARBY WHEN ORDERING PARTS FOR YOUR MOTION COMPOSITES WHEELCHAIR

**Rear Wheels Catalogue**  
**Flat Free Inserts for Pneumatics 1 3/8 in**

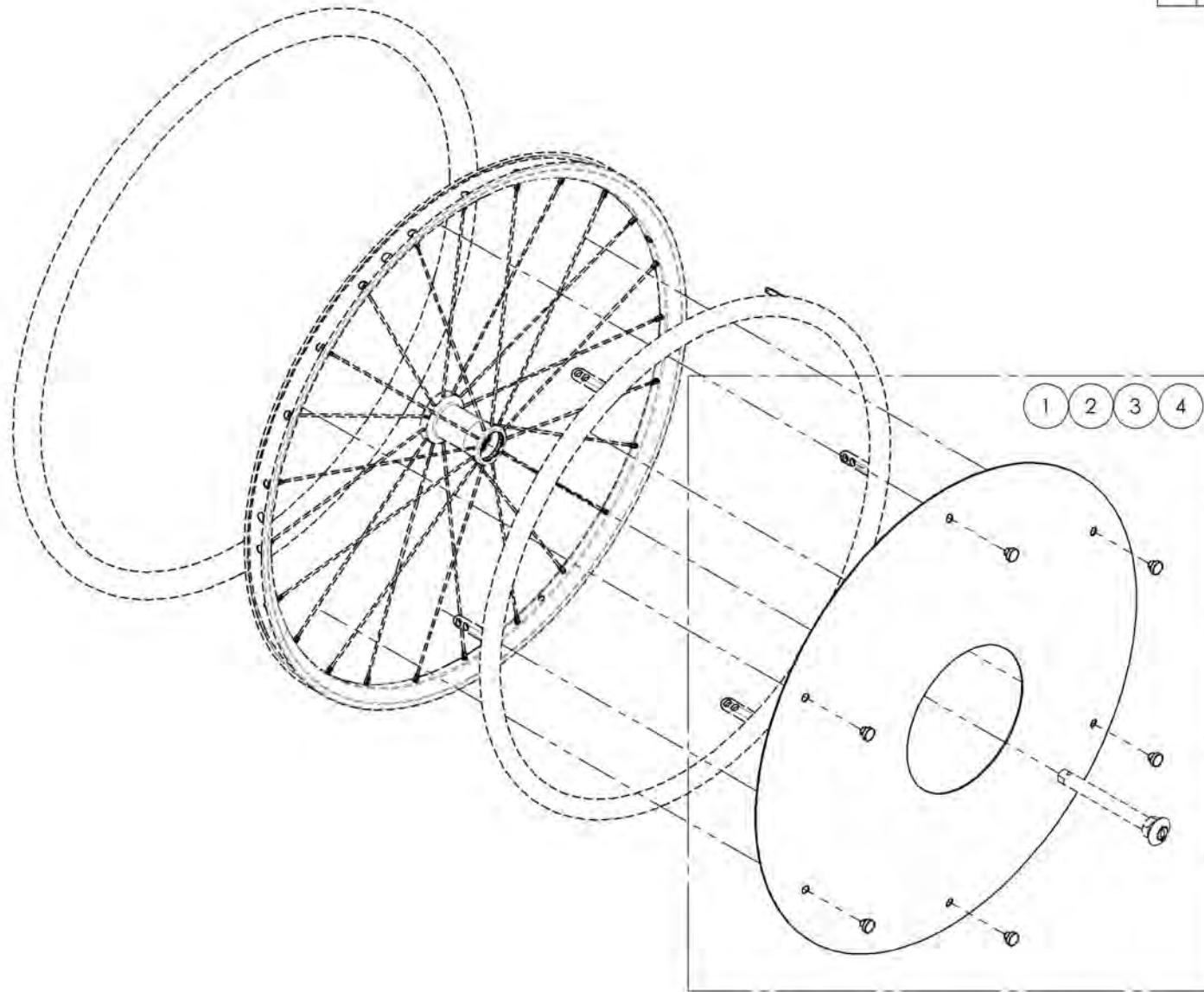
ITEM NO.	PARTNO	DESCRIPTION	QTY
<b>1</b>	<b>9002409</b>	<b>Rear Wheel - Flat free Insert, Pneumatic Tires 1 3/8 in, 22 in</b>	<b>1</b>
	21371	FLAT FREE INSERT 22 x 1-3_8 in	1
	21316	PNEUMATIC TIRE 22x1-3/8in	1
<b>2</b>	<b>9002410</b>	<b>Rear Wheel - Flat free Insert, Pneumatic Tires 1 3/8 in, 24 in</b>	<b>1</b>
	21372	FLAT FREE INSERT 24 x 1-3_8 in	1
	21317	PNEUMATIC TIRE 24x1-3/8in	1



MAKE SURE TO HAVE YOUR SERIAL NUMBER  
NEARBY WHEN ORDERING PARTS FOR YOUR  
MOTION COMPOSITES WHEELCHAIR

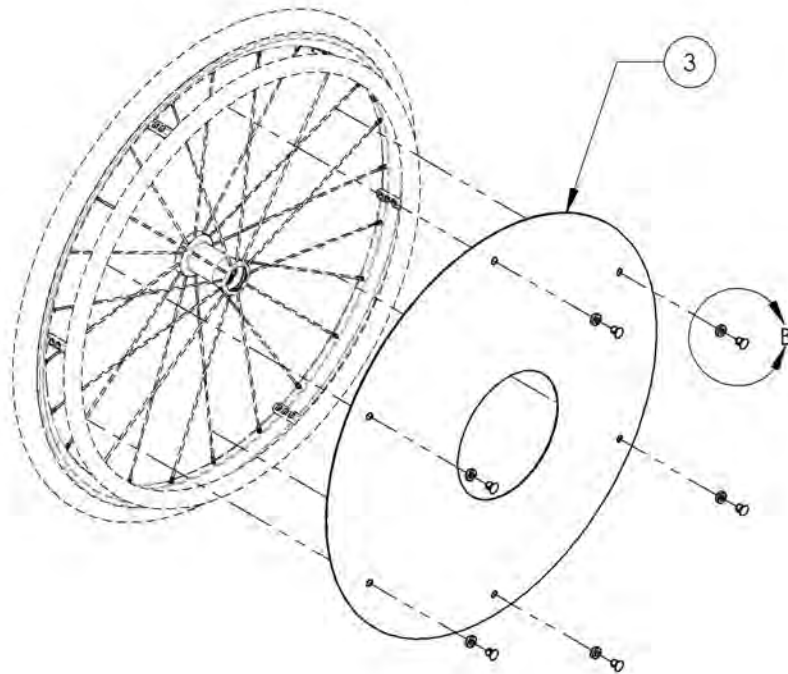
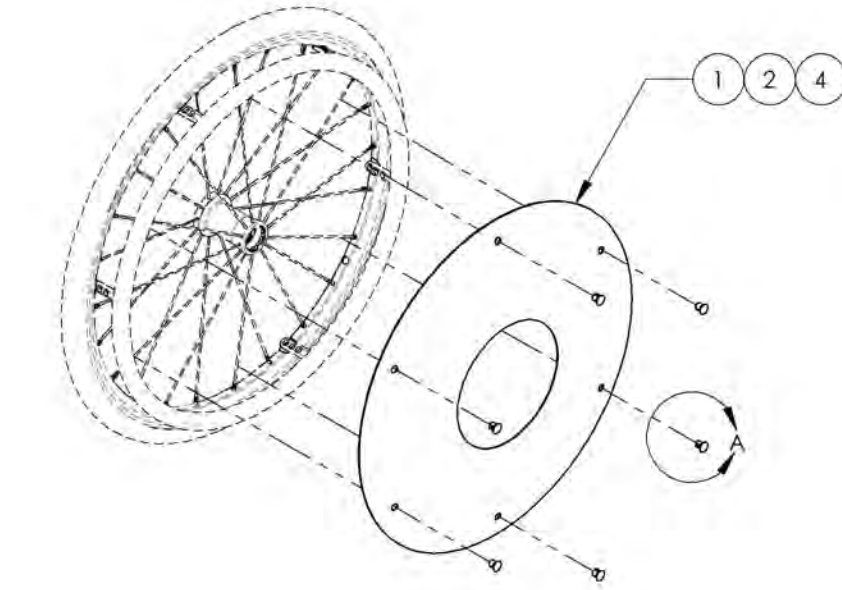
**Rear Wheels Catalogue  
Spoke Guards**

ITEM NO.	PARTNO	DESCRIPTION	QTY.
1	9001629	Spoke Guard - 20 in	1
2	9001630	Spoke Guard - 22 in	1
3	9001631	Spoke Guard - 24 in	1
4	9001632	Spoke Guard - 26 in	1

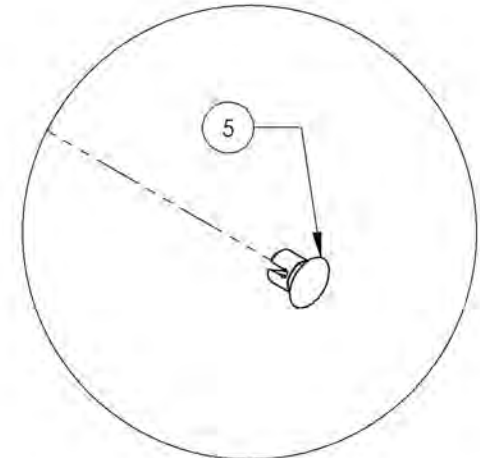


MAKE SURE TO HAVE YOUR SERIAL NUMBER  
NEARBY WHEN ORDERING PARTS FOR YOUR  
MOTION COMPOSITES WHEELCHAIR

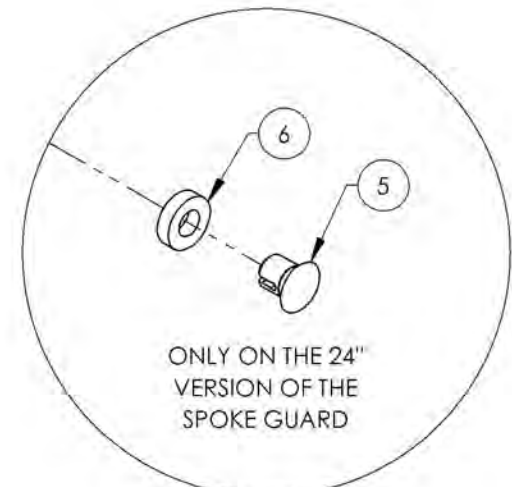
**9001629\_9001632**  
**Spoke Guards**



ITEM NO.	PARTNO	DESCRIPTION	9001629 /QTY.	9001630 /QTY.	9001631 /QTY.	9001632 /QTY.
1	51019	SPOKE GUARD 20in	1	-	-	-
2	51020	SPOKE GUARD 22in	-	1	-	-
3	51021	SPOKE GUARD 24in	-	-	1	-
4	51025	SPOKE GUARD 26in	-	-	-	1
5	51034	SPOKE SHIELD CLIP	6	6	6	6
6	51033	SPOKE SHIELD CLIP WASHER	-	-	6	-



DETAIL A  
 SCALE 5 : 8



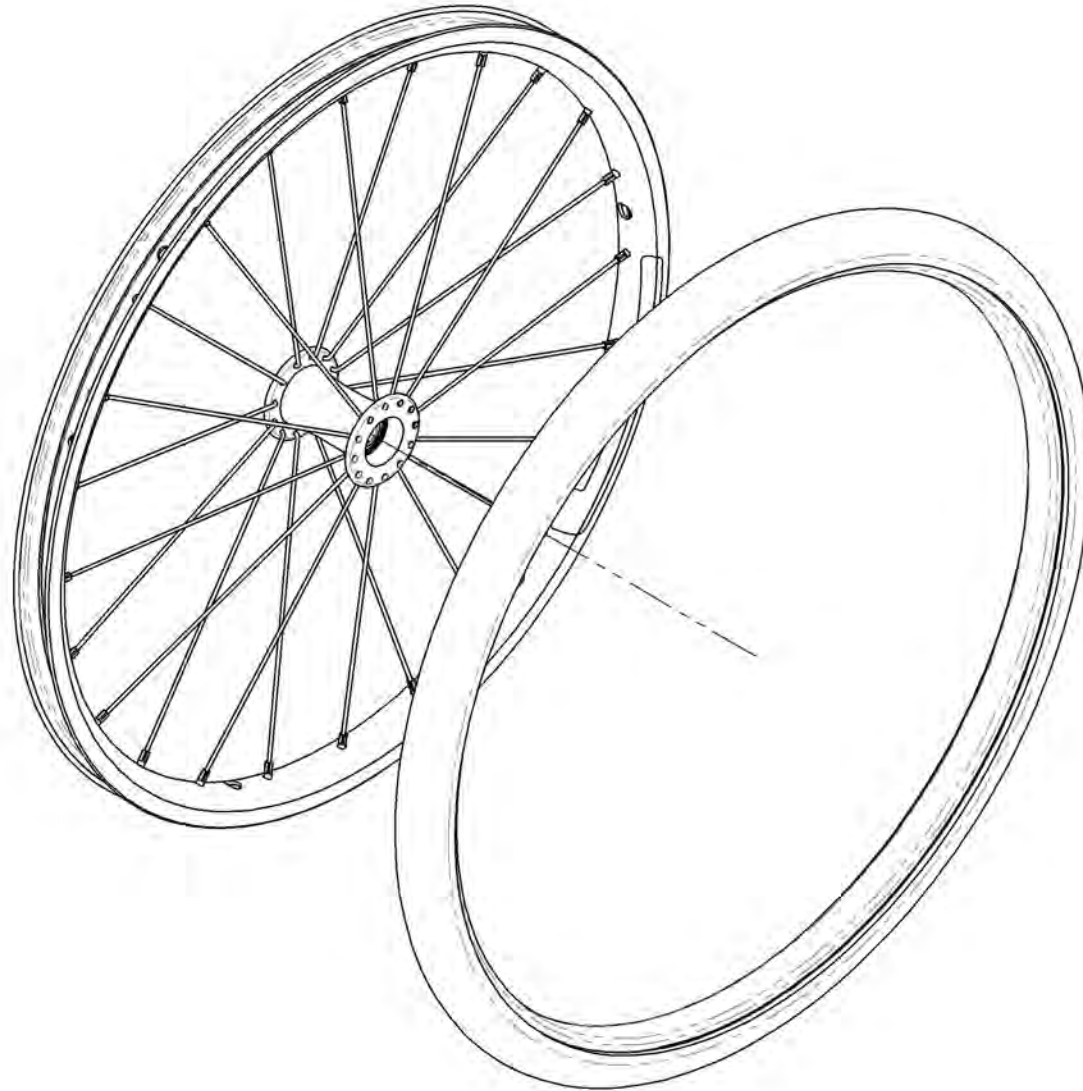
ONLY ON THE 24"  
 VERSION OF THE  
 SPOKE GUARD

DETAIL B  
 SCALE 5 : 8

MAKE SURE TO HAVE YOUR SERIAL NUMBER  
 NEARBY WHEN ORDERING PARTS FOR YOUR  
 MOTION COMPOSITES WHEELCHAIR



**Rear Wheels Catalogue**  
**Rear Wheels + Tires**



ITEM NO.	PARTNO	DESCRIPTION	QTY
1	9002499	Rear Wheel - Newton One + Soft Urethane Tire 20 in	1
2	9002500	Rear Wheel - Newton One + Soft Urethane Tire 22 in	1
3	9002501	Rear Wheel - Newton One + Soft Urethane Tire 24 in	1
4	9002502	Rear Wheel - Newton Gravity + Soft Urethane Tire 20 in	1
5	9002503	Rear Wheel - Newton Gravity + Soft Urethane Tire 22 in	1
6	9002504	Rear Wheel - Newton Gravity + Soft Urethane Tire 24 in	1
7	9002497	Rear Wheel - Newton One + HP, 20 in	1
8	9002505	Rear Wheel - Newton One + HP, 22 in	1
9	9002506	Rear Wheel - Newton One + HP, 24 in	1
10	9002507	Rear Wheel - Newton Gravity + HP, 20 in	1
11	9002508	Rear Wheel - Newton Gravity + HP, 22 in	1
12	9002509	Rear Wheel - Newton Gravity + HP, 24 in	1
13	9002519	Rear Wheel - Newton Gravity + HP, 25 in	1
14	9002510	Rear Wheel - Newton Gravity + HP, 26 in	1
15	9002498	Rear Wheel - Newton One + Standard Pressure, 20 in	1
16	9002511	Rear Wheel - Newton One + Standard Pressure, 22 in	1
17	9002512	Rear Wheel - Newton One + Standard Pressure, 24 in	1
18	9002513	Rear Wheel - Newton Gravity + Standard Pressure, 20 in	1
19	9002514	Rear Wheel - Newton Gravity + Standard Pressure, 22 in	1
20	9002515	Rear Wheel - Newton Gravity + Standard Pressure, 24 in	1
21	9002520	Rear Wheel - Newton Gravity + Standard Pressure, 25 in	1
22	9002516	Rear Wheel - Newton Gravity + Standard Pressure, 26 in	1

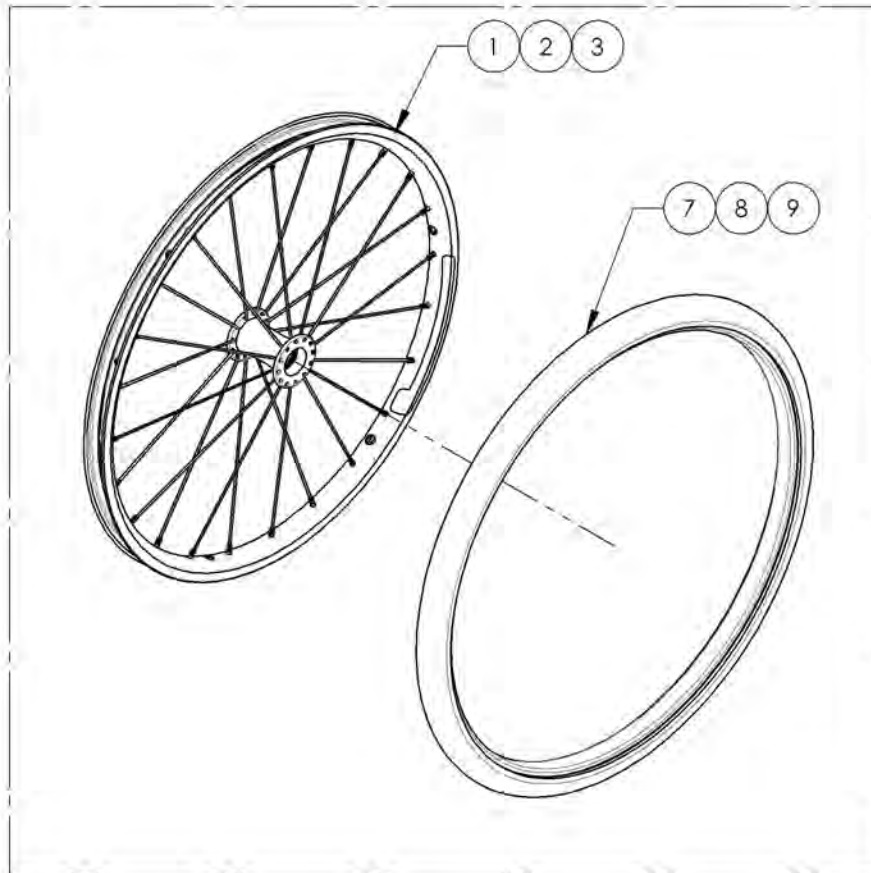
**BEARING REPLACEMENT**  
**FOR ALL REAR WHEELS**  
 Part#: **22011**

MAKE SURE TO HAVE YOUR SERIAL NUMBER  
 NEARBY WHEN ORDERING PARTS FOR YOUR  
 MOTION COMPOSITES WHEELCHAIR

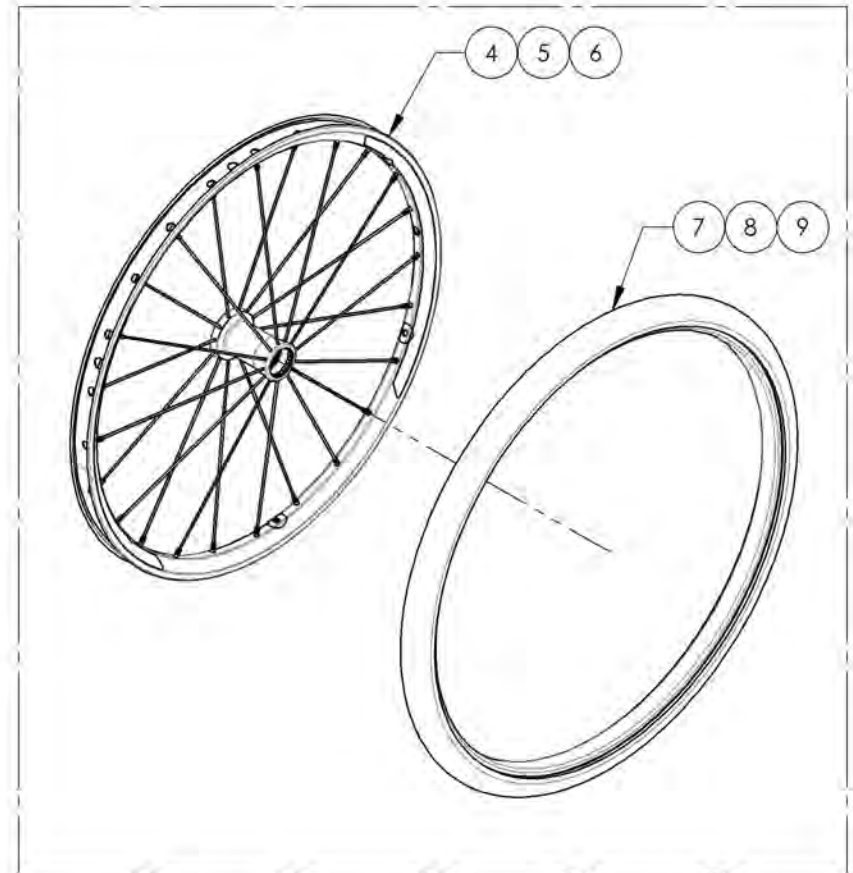
**9002499\_9002504**  
**Rear Wheel + Soft Urethane Tire**

ITEM NO.	PARTNO	DESCRIPTION	9002499 /QTY.	9002500 /QTY.	9002501 /QTY.	9002502 /QTY.	9002503 /QTY.	9002504 /QTY.
1	21118	20 in NEWTON ONE WHEEL	1	-	-	-	-	-
2	21110	22 in NEWTON ONE WHEEL	-	1	-	-	-	-
3	21111	24 in NEWTON ONE WHEEL	-	-	1	-	-	-
4	21113	20" NEWTON GRAVITY WHEEL	-	-	-	1	-	-
5	21114	22" NEWTON GRAVITY WHEEL	-	-	-	-	1	-
6	21115	24" NEWTON GRAVITY WHEEL	-	-	-	-	-	1
7	21365	20" URETHANE TIRE	1	-	-	1	-	-
8	21366	22" URETHANE TIRE	-	1	-	-	1	-
9	21367	24" URETHANE TIRE	-	-	1	-	-	1

**NEWTON ONE**  
 9002499, 9002500 & 9002501



**NEWTON GRAVITY**  
 9002502, 9002503 & 9002504



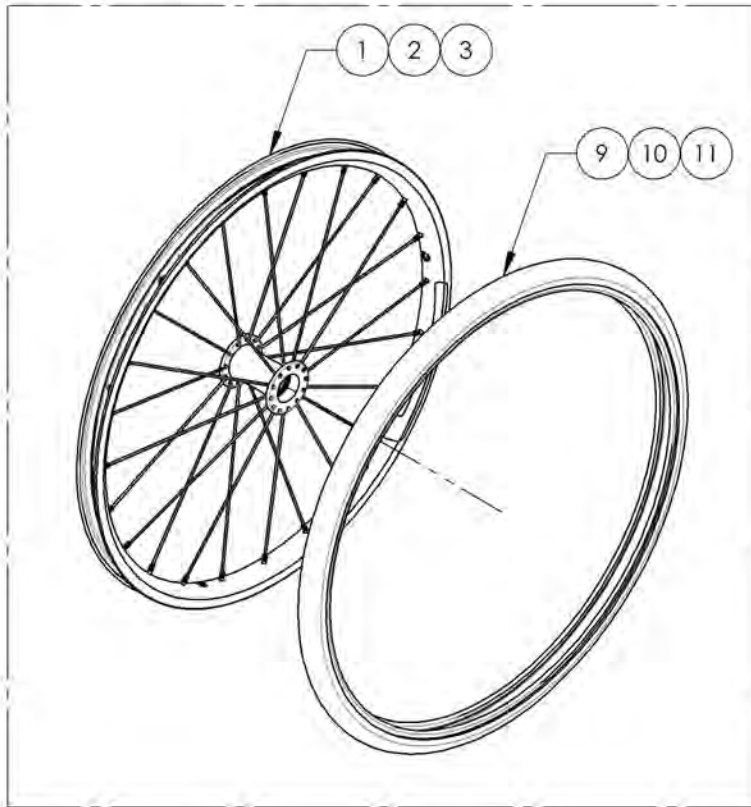
MAKE SURE TO HAVE YOUR SERIAL NUMBER  
 NEARBY WHEN ORDERING PARTS FOR YOUR  
 MOTION COMPOSITES WHEELCHAIR

**9002497 & 9002505\_9002510 & 9002519**  
**Rear Wheel + HP Tire**

ITEM NO.	PARTNO	DESCRIPTION	9002497 /QTY.	9002505 /QTY.	9002506 /QTY.	9002507 /QTY.	9002508 /QTY.	9002509 /QTY.	9002519 /QTY.	9002510 /QTY.
1	21118	20 in NEWTON ONE WHEEL	1	-	-	-	-	-	-	-
2	21110	22 in NEWTON ONE WHEEL	-	1	-	-	-	-	-	-
3	21111	24 in NEWTON ONE WHEEL	-	-	1	-	-	-	-	-
4	21113	20" NEWTON GRAVITY WHEEL	-	-	-	1	-	-	-	-
5	21114	22" NEWTON GRAVITY WHEEL	-	-	-	-	1	-	-	-
6	21115	24" NEWTON GRAVITY WHEEL	-	-	-	-	-	1	-	-
7	21116	25" NEWTON GRAVITY WHEEL	-	-	-	-	-	-	1	-
8	21117	26" NEWTON GRAVITY WHEEL	-	-	-	-	-	-	-	1
9	21305	IRONCAP/RIGHTRUN 1" HP TIRE 20"	1	-	-	1	-	-	-	-
10	21306	IRONCAP/RIGHTRUN 1" HP TIRE 22"	-	1	-	-	1	-	-	-
11	21307	IRONCAP/RIGHTRUN 1" HP TIRE 24"	-	-	1	-	-	1	-	-
12	21308	IRONCAP/RIGHTRUN 1" HP TIRE 25"	-	-	-	-	-	-	1	-
13	21309	IRONCAP/RIGHTRUN 1" HP TIRE 26"	-	-	-	-	-	-	-	1

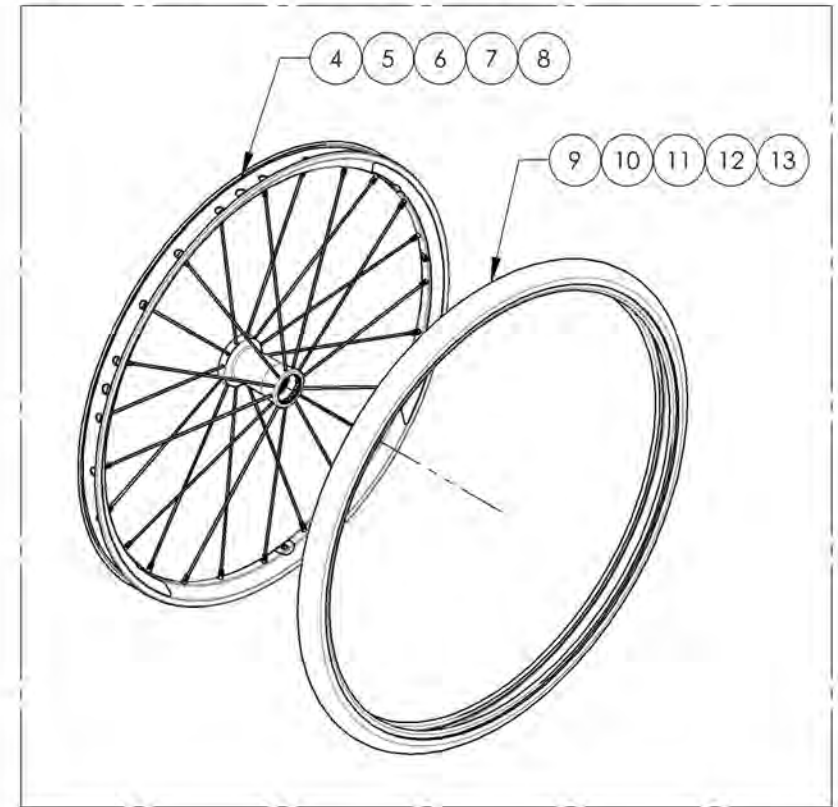
**NEWTON ONE**

9002497, 9002505 & 9002506



**NEWTON GRAVITY**

9002507, 9002508, 9002509 & 9002510



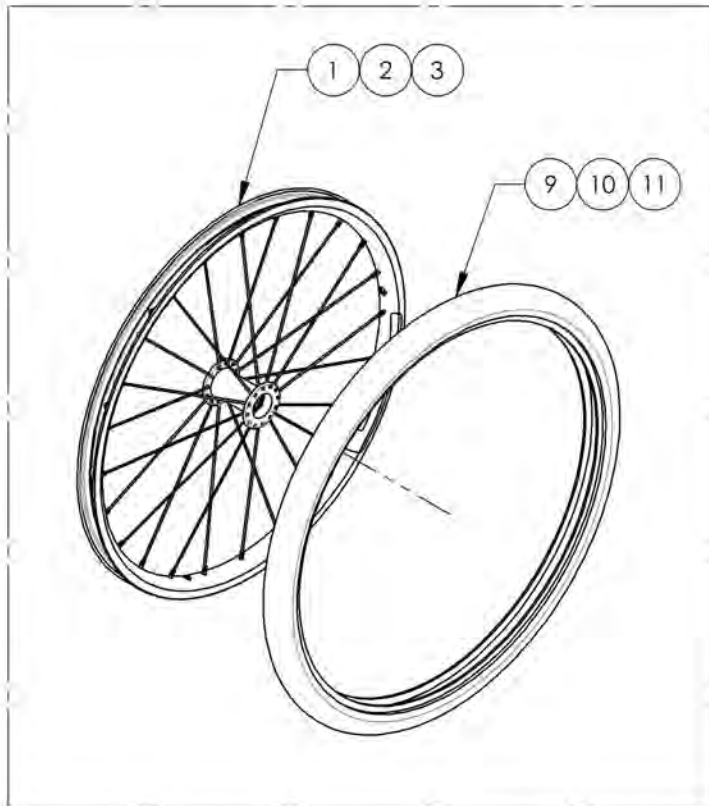
MAKE SURE TO HAVE YOUR SERIAL NUMBER  
 NEARBY WHEN ORDERING PARTS FOR YOUR  
 MOTION COMPOSITES WHEELCHAIR

**9002498 & 9002511 9002516 & 9002520**  
**Rear Wheel + Standard Pressure Tire**

ITEM NO.	PARTNO	DESCRIPTION	9002498 /QTY.	9002511 /QTY.	9002512 /QTY.	9002513 /QTY.	9002514 /QTY.	9002515 /QTY.	9002520 /QTY.	9002516 /QTY.
1	21118	20 in NEWTON ONE WHEEL	1	-	-	-	-	-	-	-
2	21110	22 in NEWTON ONE WHEEL	-	1	-	-	-	-	-	-
3	21111	24 in NEWTON ONE WHEEL	-	-	1	-	-	-	-	-
4	21113	20" NEWTON GRAVITY WHEEL	-	-	-	1	-	-	-	-
5	21114	22" NEWTON GRAVITY WHEEL	-	-	-	-	1	-	-	-
6	21115	24" NEWTON GRAVITY WHEEL	-	-	-	-	-	1	-	-
7	21116	25" NEWTON GRAVITY WHEEL	-	-	-	-	-	-	1	-
8	21117	26" NEWTON GRAVITY WHEEL	-	-	-	-	-	-	-	1
9	21315	20"x1 3/4" PNEUMATIC TIRE	1	-	-	1	-	-	-	-
10	21316	22"x1 3/4" PNEUMATIC TIRE	-	1	-	-	1	-	-	-
11	21317	24"x1 3/4" PNEUMATIC TIRE	-	-	1	-	-	1	-	-
12	21318	25"x1 3/4" PNEUMATIC TIRE	-	-	-	-	-	-	1	-
13	21319	26"x1 3/4" PNEUMATIC TIRE	-	-	-	-	-	-	-	1

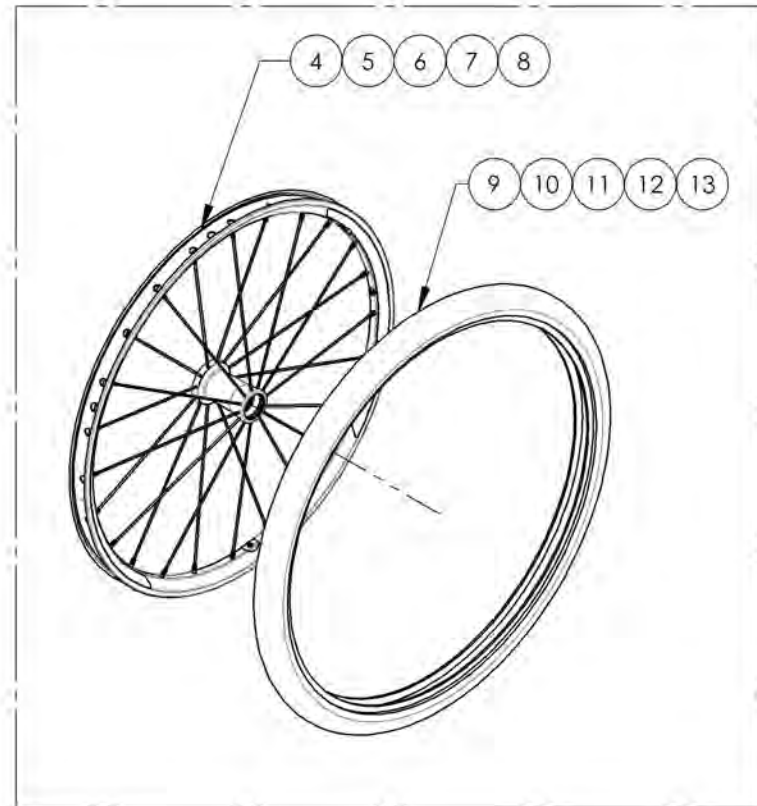
**NEWTON ONE**

9002498, 9002511 & 9002512



**NEWTON GRAVITY**

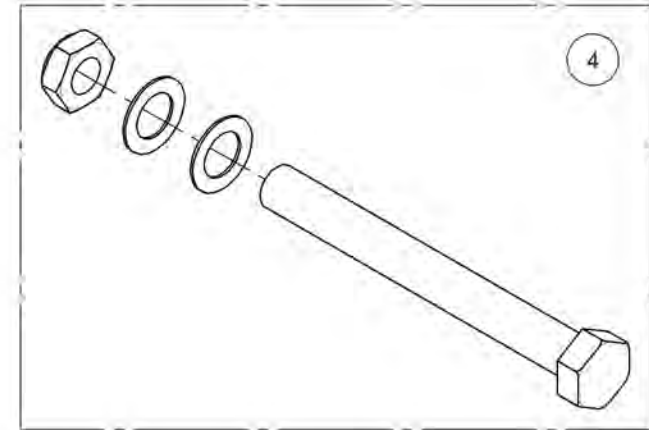
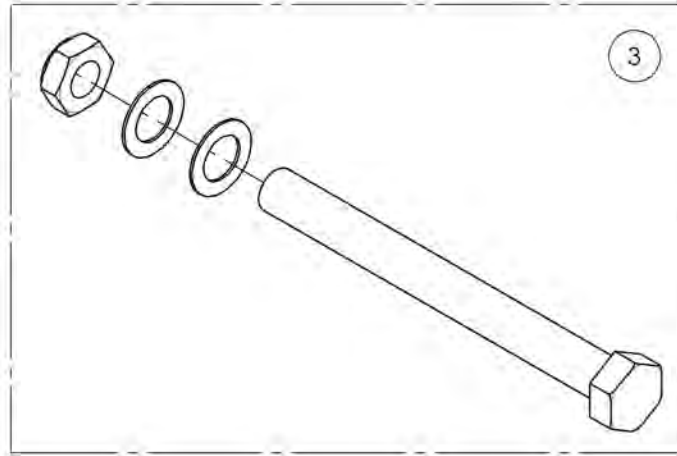
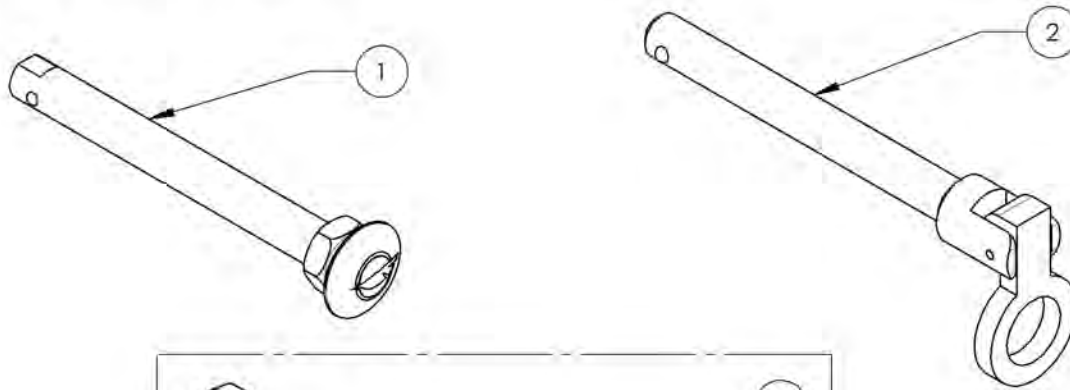
9002513, 9002514, 9002515, 9002520 & 9002516



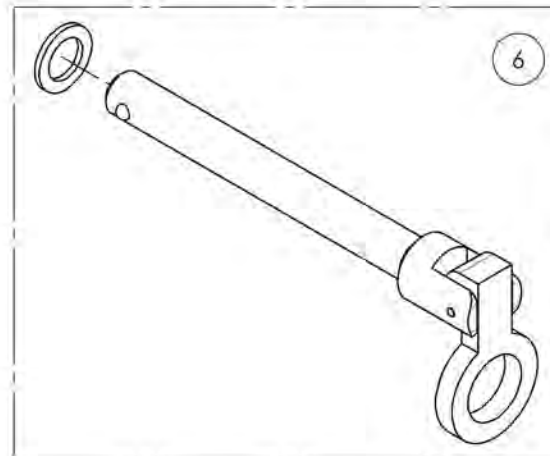
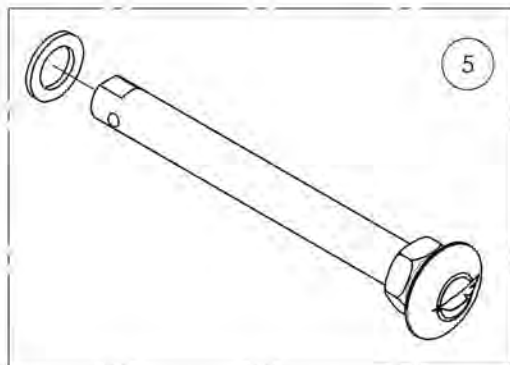
MAKE SURE TO HAVE YOUR SERIAL NUMBER NEARBY WHEN ORDERING PARTS FOR YOUR MOTION COMPOSITES WHEELCHAIR

**Rear Wheels Catalogue**  
**Quick Release & Permanent Axles**

ITEM NO.	PARTNO	DESCRIPTION	QTY.
1	9001561	Wheel Axle - Quick Release	1
2	9001563	Wheel Axle - Quad Release	1
3	9001562	Wheel Axle - Permanent for Mag Wheels	1
4	9002956	Wheel Axle - Permanent	1
5	9002896	Wheel Axle - Quick Release, for Spinerge Spox & LX Wheels	1
6	9002897	Wheel Axle - Quad Release, for Spinerge Spox & LX Wheels	1



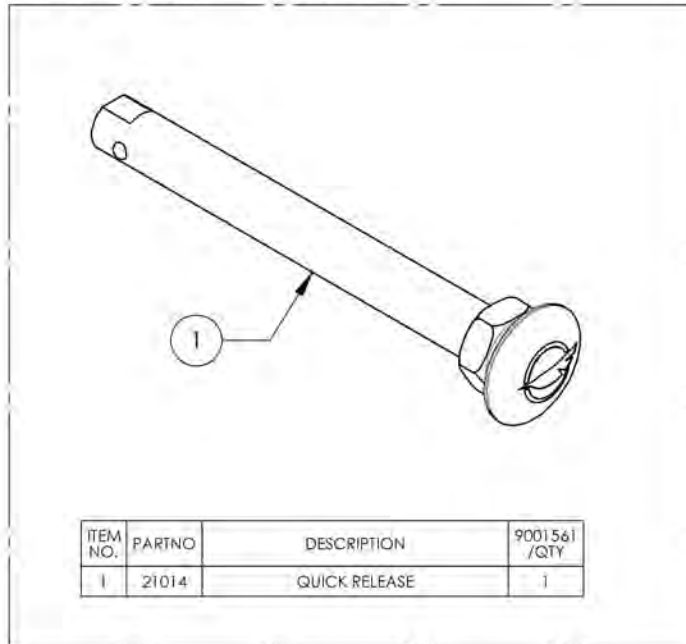
**FOR SPINERGY SPOX & LX WHEELS ONLY**



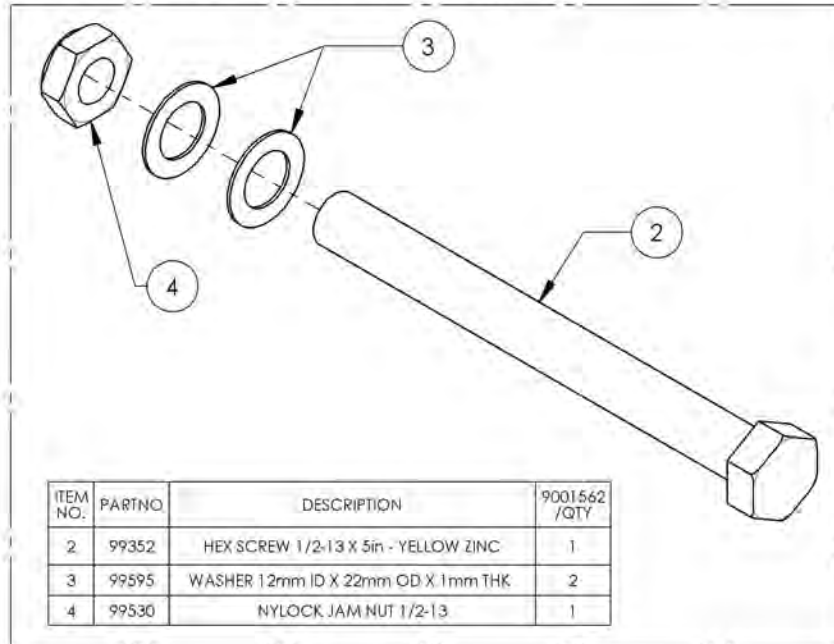
MAKE SURE TO HAVE YOUR SERIAL NUMBER  
 NEARBY WHEN ORDERING PARTS FOR YOUR  
 MOTION COMPOSITES WHEELCHAIR

**9001561\_9001563 & 9002956**  
**Wheel Axles**

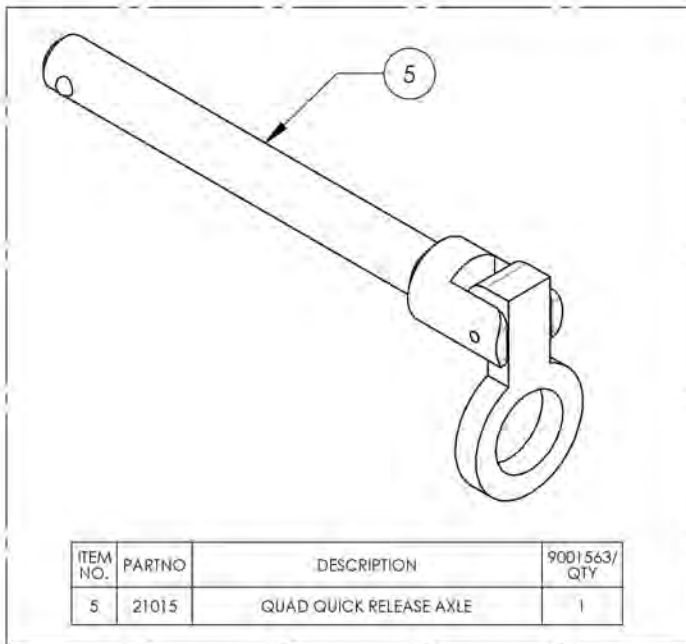
9001561 - Wheel Axle - Quick Release



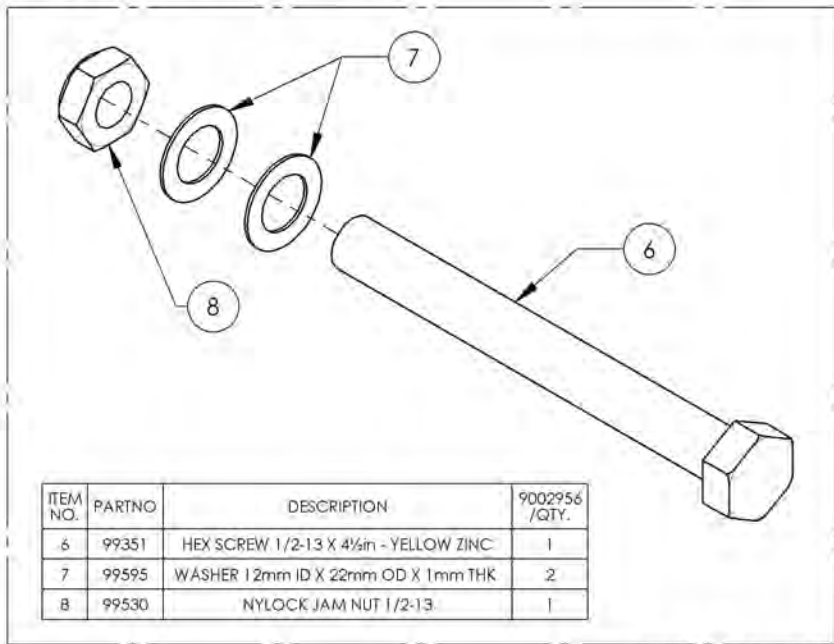
9001562 - Wheel Axle - Permanent for Mag Wheels



9001563 - Wheel Axle - Quad Release



9002956 - Wheel Axle - Permanent

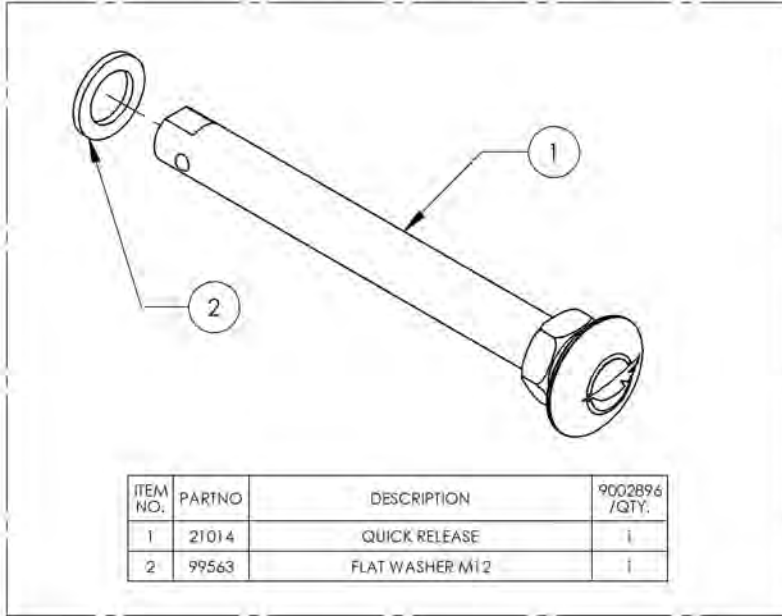


MAKE SURE TO HAVE YOUR SERIAL NUMBER NEARBY WHEN ORDERING PARTS FOR YOUR MOTION COMPOSITES WHEELCHAIR

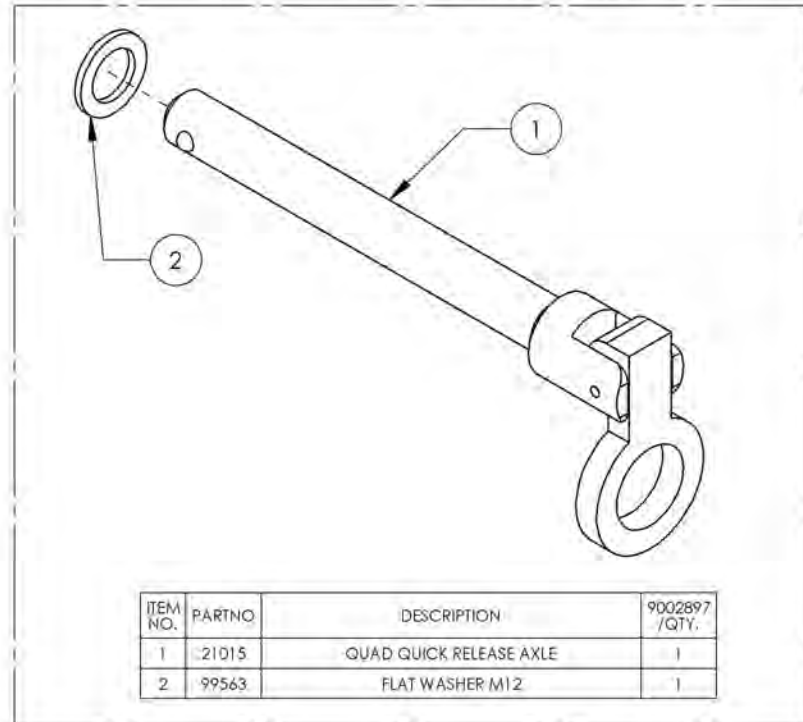


**9002896\_9002897**  
**Wheel Axles for Spinerger SPOX & LX Wheels**

9002896 - Wheel Axle - Quick Release, for Spinerger Spox & LX Wheels



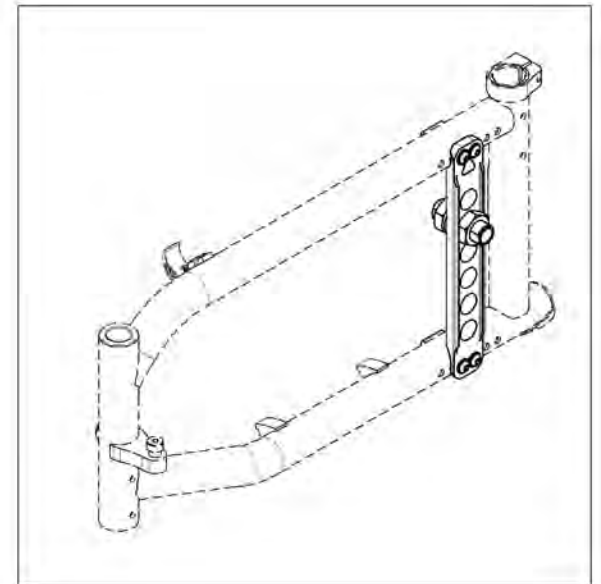
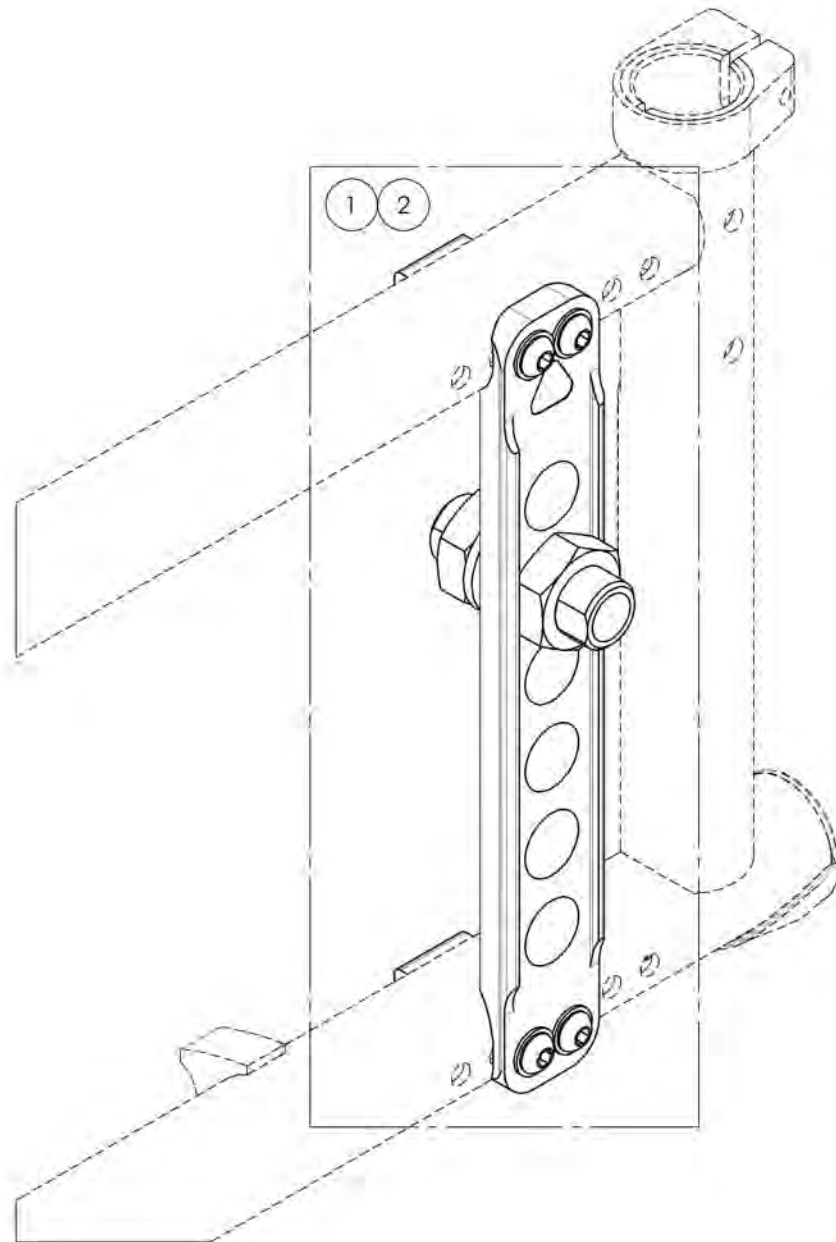
9002897 - Wheel Axle - Quad Release, for Spinerger Spox & LX Wheels



MAKE SURE TO HAVE YOUR SERIAL NUMBER  
 NEARBY WHEN ORDERING PARTS FOR YOUR  
 MOTION COMPOSITES WHEELCHAIR

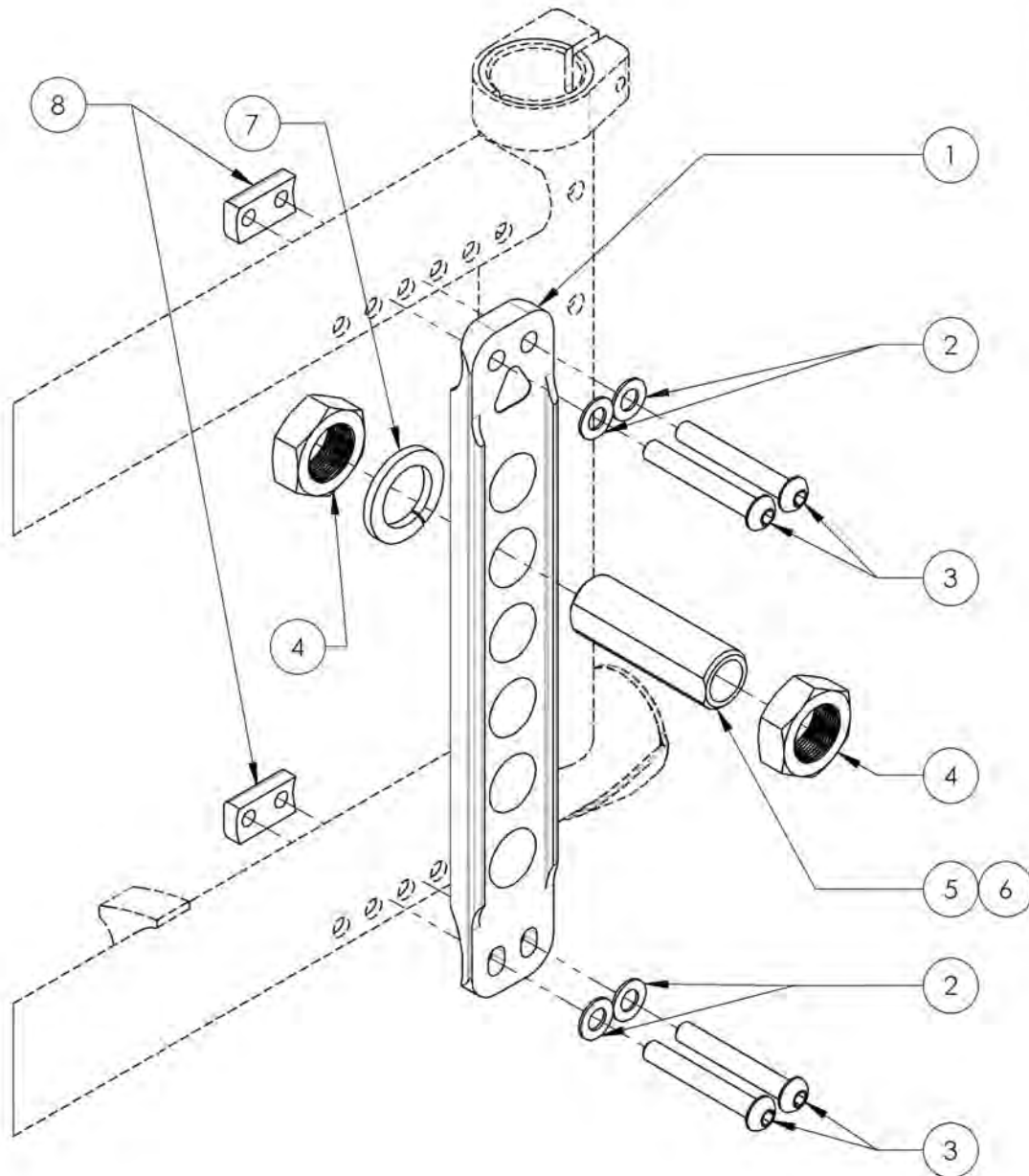
**Rear Wheels Catalogue**  
**12 Positions Reversible Rear Wheel Mounting Plates**

ITEM NO.	PARTNO	DESCRIPTION	QTY
1	9002395	Rear Wheel Mounting Plate Reversible - 0° Camber Angle	1
2	9002396	Rear Wheel Mounting Plate Reversible - 3° Camber Angle	1



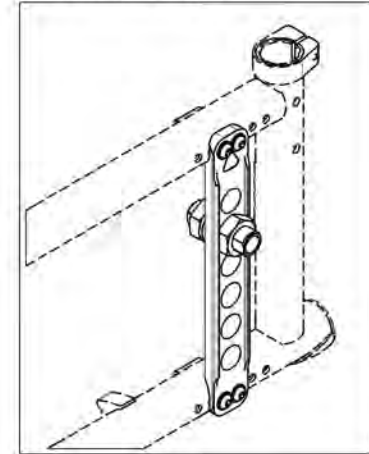
MAKE SURE TO HAVE YOUR SERIAL NUMBER  
 NEARBY WHEN ORDERING PARTS FOR YOUR  
 MOTION COMPOSITES WHEELCHAIR

**9002395\_9002396**  
**Rear Wheel Mounting Plate Reversible**

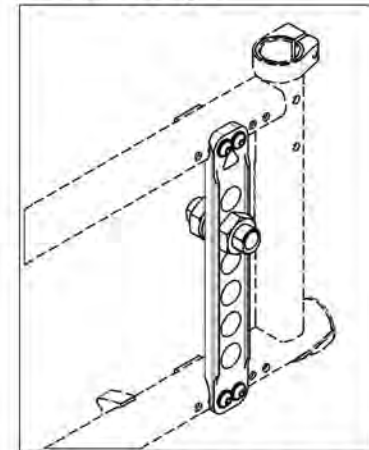


ITEM NO.	PARTNO	DESCRIPTION	9002395 /QTY.	9002396 /QTY.
1	21049	REVERSIBLE MOUNTING PLATE	1	1
2	99560	WASHER 1/4 17/64 ID X 1/2 OD X .032 THK.	4	4
3	91040	BUTTON HEAD CAP SCREW M6X1 X 43mm LONG, 24mm THREADED + BLUE THREADLOCKER - BLACK ZINC	4	4
4	91031	JAM NUT M18 x 1.0	2	2
5	21041	0° BUSHING M18x1	1	-
6	21042	3° BUSHING M18x1	-	1
7	99597	LOCK WASHER M18	1	1
8	21029	T2 MOUNTING PLATE THREADED RAIL	2	2

9002395  
 Rear Wheel Mounting Plate Reversible -  
 0° Camber Angle



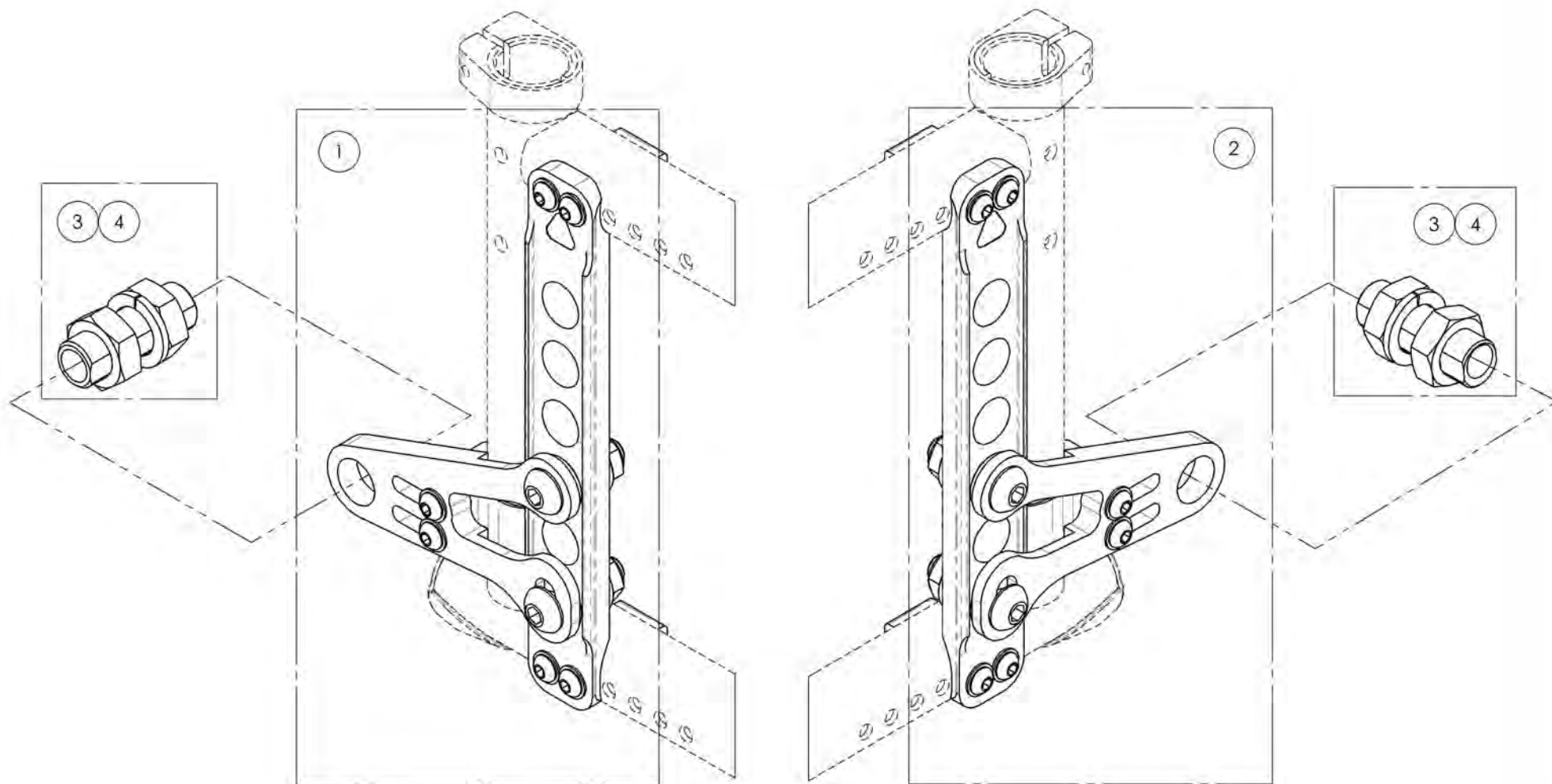
9002396  
 Rear Wheel Mounting Plate Reversible -  
 3° Camber Angle



MAKE SURE TO HAVE YOUR SERIAL NUMBER  
 NEARBY WHEN ORDERING PARTS FOR YOUR  
 MOTION COMPOSITES WHEELCHAIR

**Rear Wheel Catalogue**  
**Amputee Adjustable Axle Plates For Multi-Position Rear Wheel Mounting Plate Reversible**

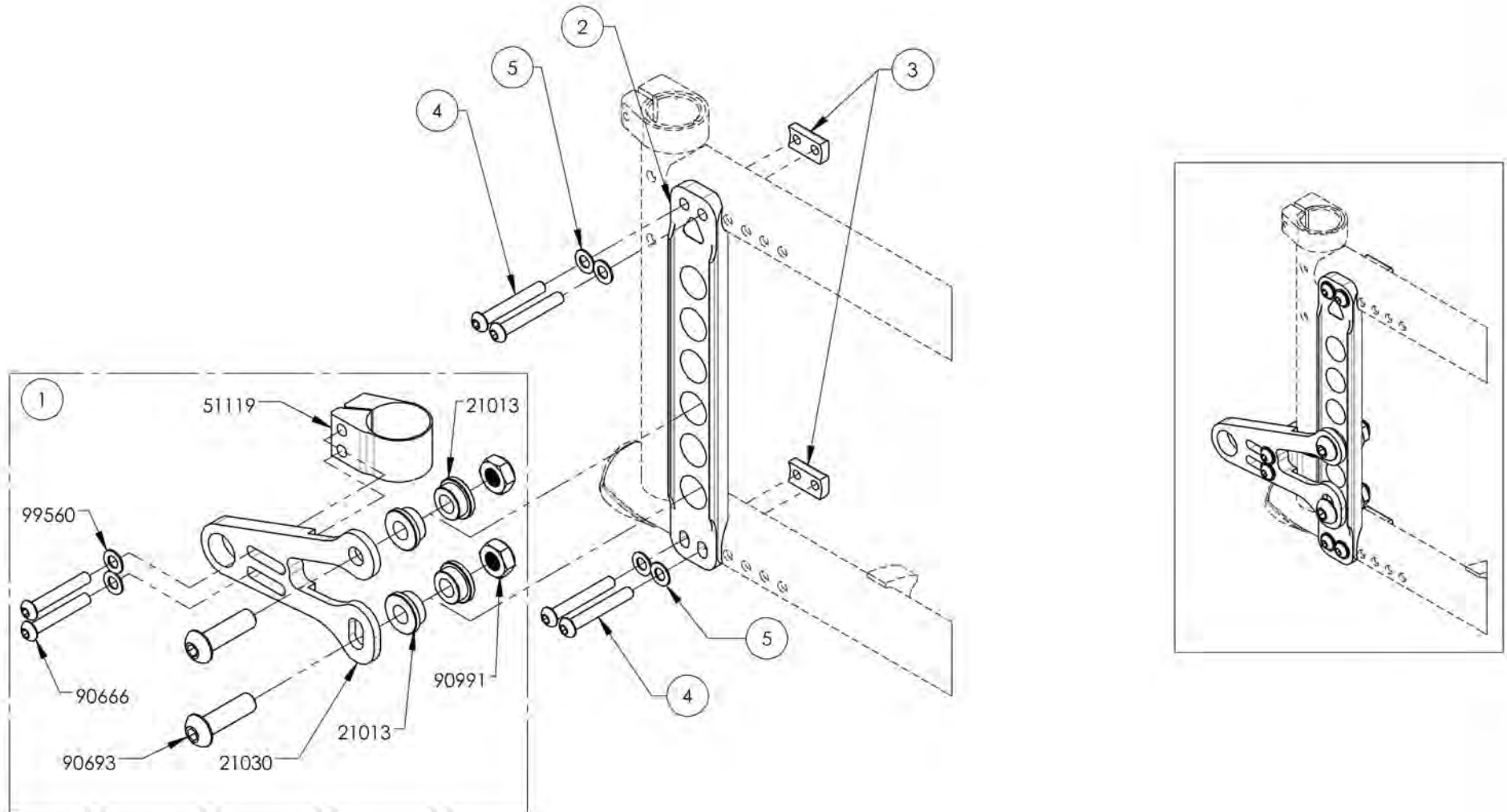
ITEM NO.	PARTNO	DESCRIPTION	QTY
1	9002388	Amputee Axle Plate Reversible - Adjustable, Right	1
2	9002390	Amputee Axle Plate Reversible - Adjustable, Left	1
3	9002444	Rear Wheel - 0° Axle Bushing + Hardware	1
4	9002445	Rear Wheel - 3° Axle Bushing + Hardware	1



MAKE SURE TO HAVE YOUR SERIAL NUMBER  
 NEARBY WHEN ORDERING PARTS FOR YOUR  
 MOTION COMPOSITES WHEELCHAIR

**9002388**  
**Amputee Axle Plate Reversible - Adjustable, Right**

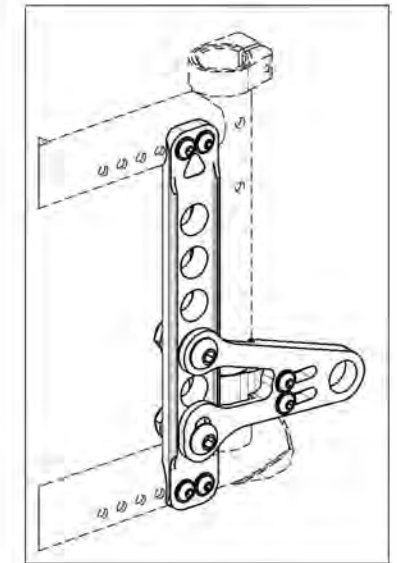
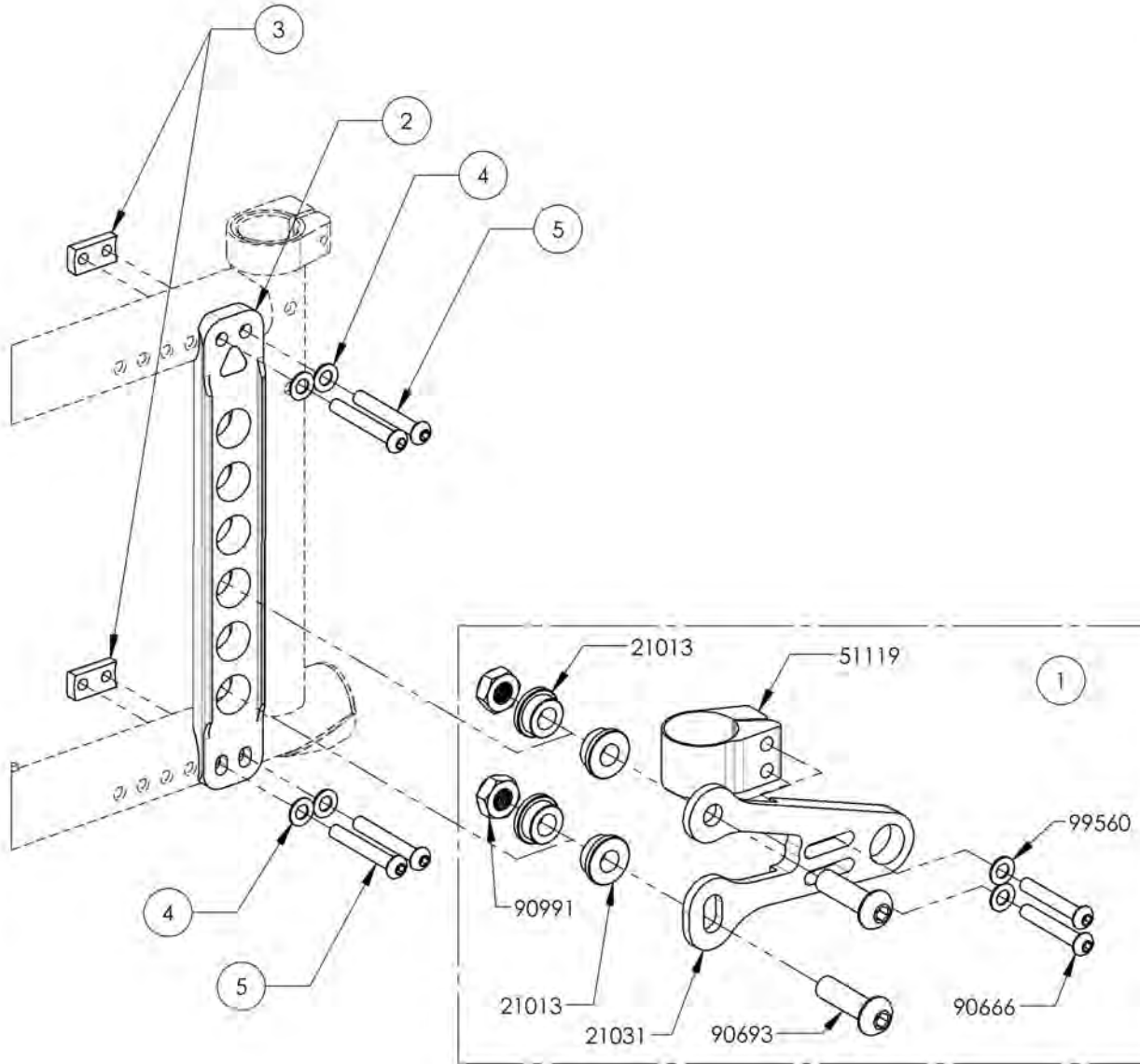
ITEM NO.	PARTNO	DESCRIPTION	9002388 /QTY.
1	21715	RIGHT AMPUTE KIT V1 - ASSEMBLY	1
2	21049	REVERSIBLE MOUNTING PLATE	1
3	21029	T2 MOUNTING PLATE THREADED RAIL	2
4	91040	BUTTON HEAD CAP SCREW M6X1 X 43mm LONG, 24mm THREADED + BLUE THREADLOCKER - BLACK ZINC	4
5	99560	WASHER 1/4 17/64 ID X 1/2 OD X .032 THK	4



MAKE SURE TO HAVE YOUR SERIAL NUMBER  
 NEARBY WHEN ORDERING PARTS FOR YOUR  
 MOTION COMPOSITES WHEELCHAIR

**9002390**  
**Amputee Axle Plate Reversible - Adjustable, Left**

ITEM NO.	PARTNO	DESCRIPTION	9002390 /QTY.
1	21716	LEFT AMPUTE KIT V1 - ASSEMBLY	1
2	21049	REVERSIBLE MOUNTING PLATE	1
3	21029	T2 MOUNTING PLATE THREADED RAIL	2
4	99560	WASHER 1/4 17/64 ID X 1/2 OD X .032 THK	4
5	91040	BUTTON HEAD CAP SCREW M6X1 X 43mm LONG, 24mm THREADED + BLUE THREADLOCKER - BLACK ZINC	4

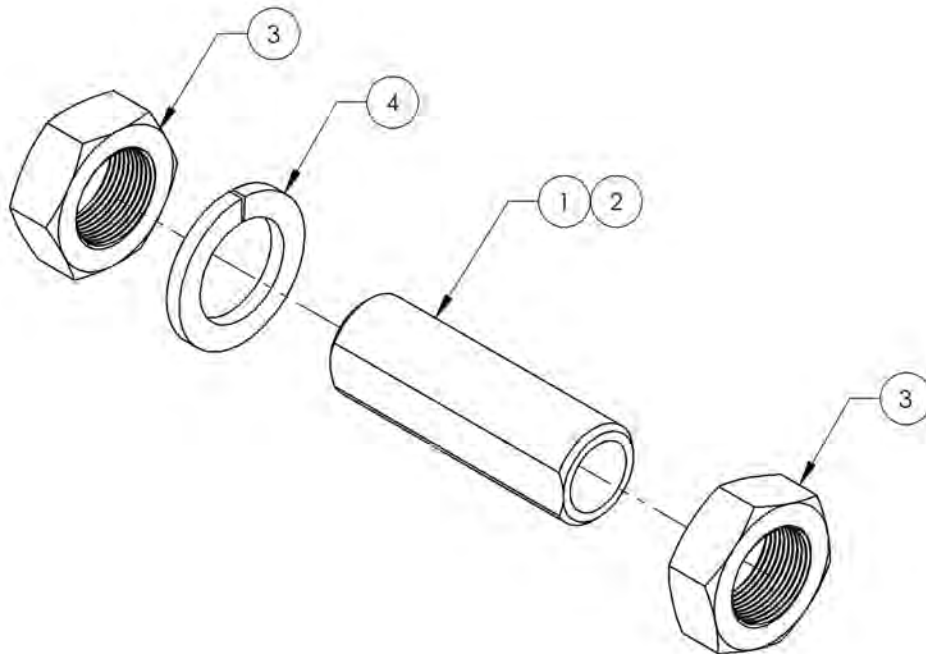


MAKE SURE TO HAVE YOUR SERIAL NUMBER  
 NEARBY WHEN ORDERING PARTS FOR YOUR  
 MOTION COMPOSITES WHEELCHAIR

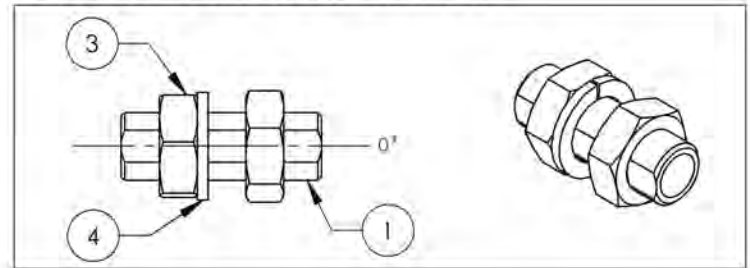


**9002444\_9002445**  
**Rear Wheel - Axle Bushing + Hardware**

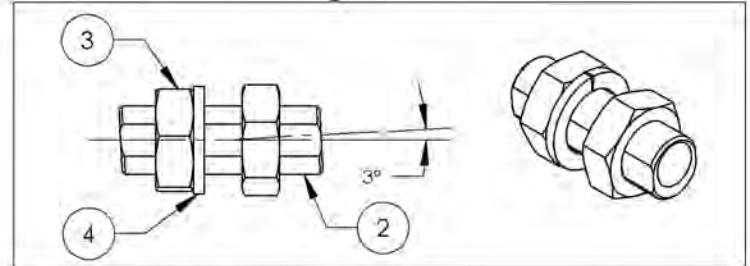
ITEM NO.	PARTNO	DESCRIPTION	9002444 /QTY.	9002445 /QTY.
1	21041	0 DEG BUSHING M18x1	1	-
2	21042	3° BUSHING M18x1	-	1
3	91031	JAM NUT M18 x 1.0	2	2
4	99597	LOCK WASHER M18	1	1



9002444  
 Rear Wheel - 0° Axle Bushing + Hardware



9002445  
 Rear Wheel - 3° Axle Bushing + Hardware

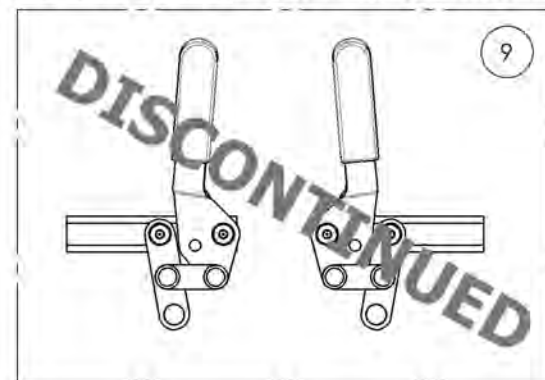
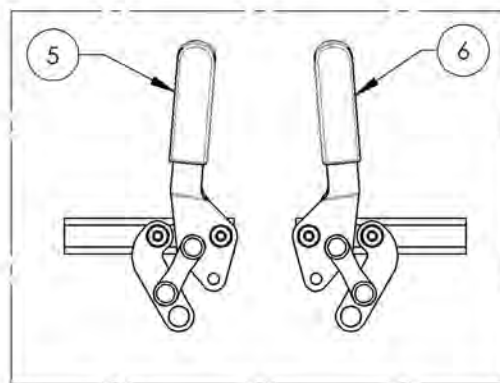
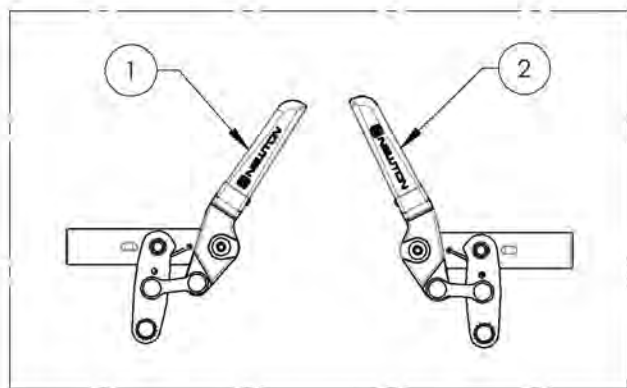


MAKE SURE TO HAVE YOUR SERIAL NUMBER  
 NEARBY WHEN ORDERING PARTS FOR YOUR  
 MOTION COMPOSITES WHEELCHAIR

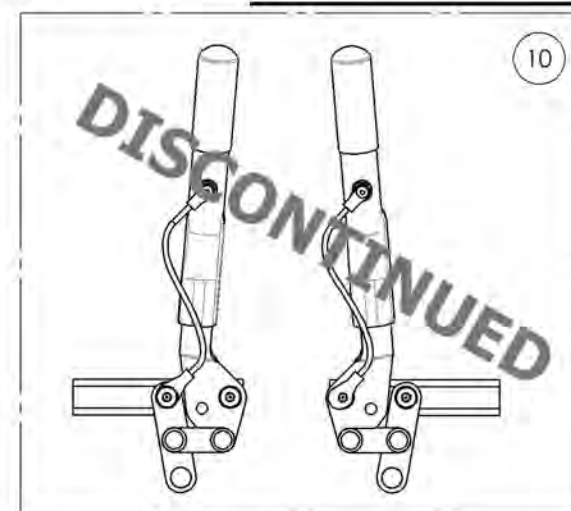
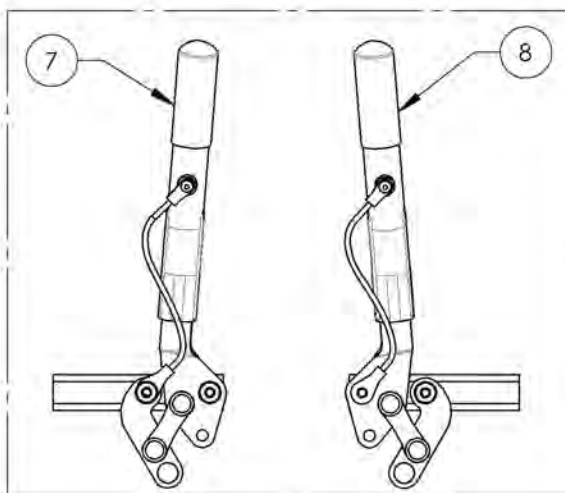
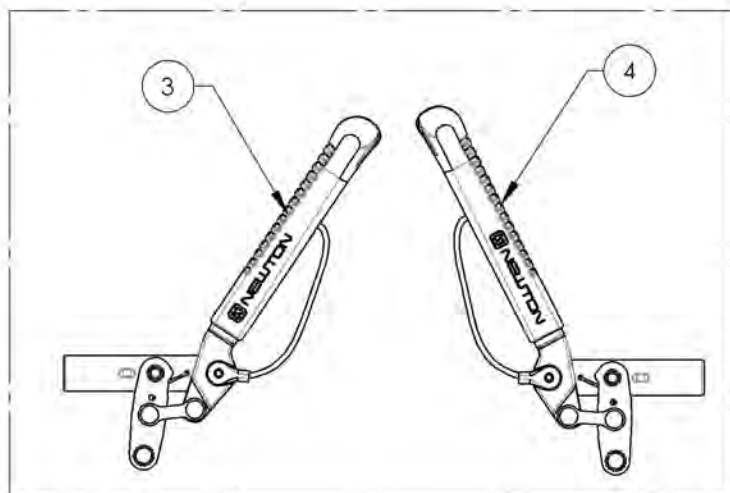
**Wheel Locks Catalogue**  
**Wheel Lock - Push & Pull**

ITEM NO.	PARTNO	DESCRIPTION	QTY.
1	9002216	Wheel Lock - Newton Spring Loaded Push to lock, Right	1
2	9002217	Wheel Lock - Newton Spring Loaded Push to lock, Left	1
3	9002218	Wheel Lock - Newton Spring Loaded Push to lock, & in Removable Extension Handle, Right	1
4	9002219	Wheel Lock - Newton Spring Loaded Push to lock, & in Removable Extension Handle, Left	1
5	9001128	Wheel Lock - Pull to Lock, Right	1
6	9001129	Wheel Lock - Pull to Lock, Left	1
7	9001130	Wheel Lock - Pull to Lock, & in Removable Extension Handle, Right	1
8	9001131	Wheel Lock - Pull to Lock, & in Removable Extension Handle, Left	1
9	9001573	<b>DISCONTINUED</b> Wheel Lock - Push to lock	1
10	9001575	<b>DISCONTINUED</b> Wheel Lock - Push to lock, & in Removable Extension Handle	1

**REPLACED BY #9002216 & #9002217**



**REPLACED BY #9002218 & #9002219**

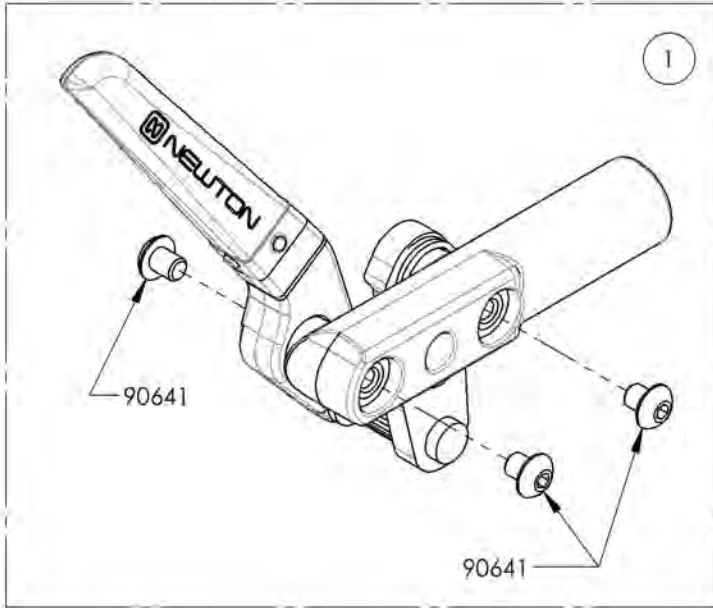


MAKE SURE TO HAVE YOUR SERIAL NUMBER  
 NEARBY WHEN ORDERING PARTS FOR YOUR  
 MOTION COMPOSITES WHEELCHAIR

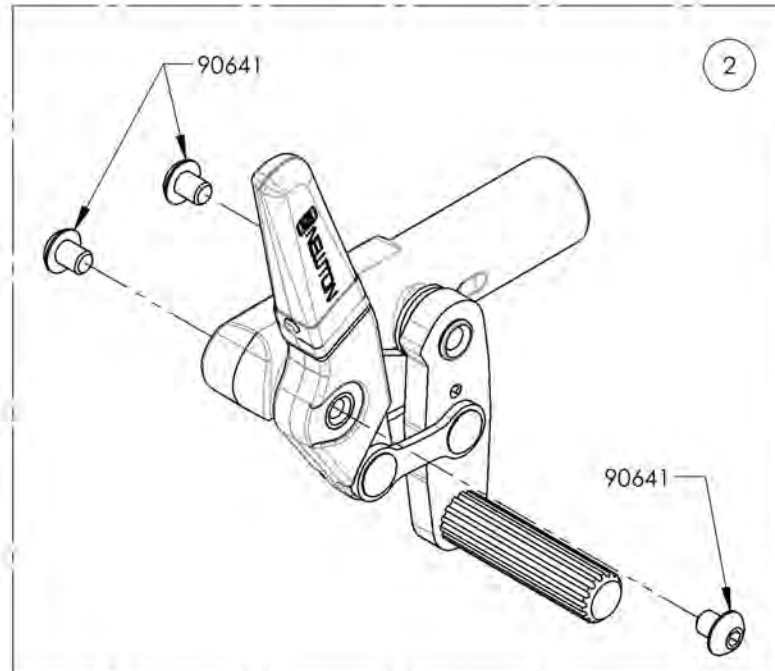
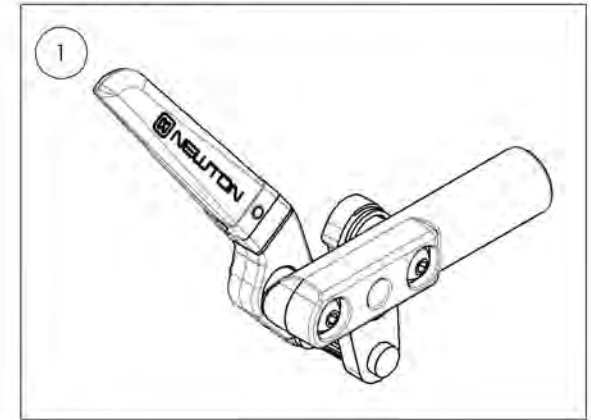
**9002216\_9002217**

**Wheel Lock - Newton Spring Loaded Push to lock**

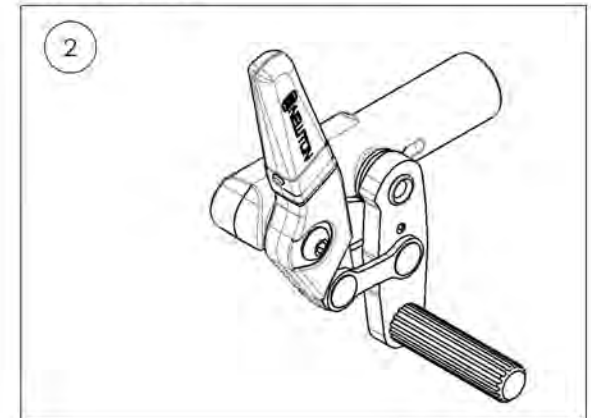
ITEM NO.	PARTNO	DESCRIPTION	9002216 /QTY.	9002217 /QTY.
1	41057	NEWTON PUSH SPRING WHEEL LOCK, RIGHT - ASSY	1	-
2	41056	NEWTON PUSH SPRING WHEEL LOCK, LEFT - ASSY	-	1



9002216  
Wheel Lock - Newton Spring Loaded  
Push to lock, Right



9002217  
Wheel Lock - Newton Spring Loaded  
Push to lock, Left

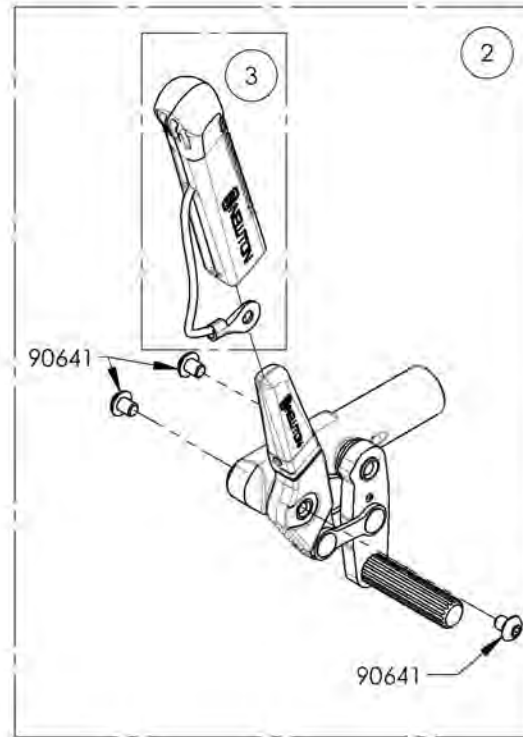
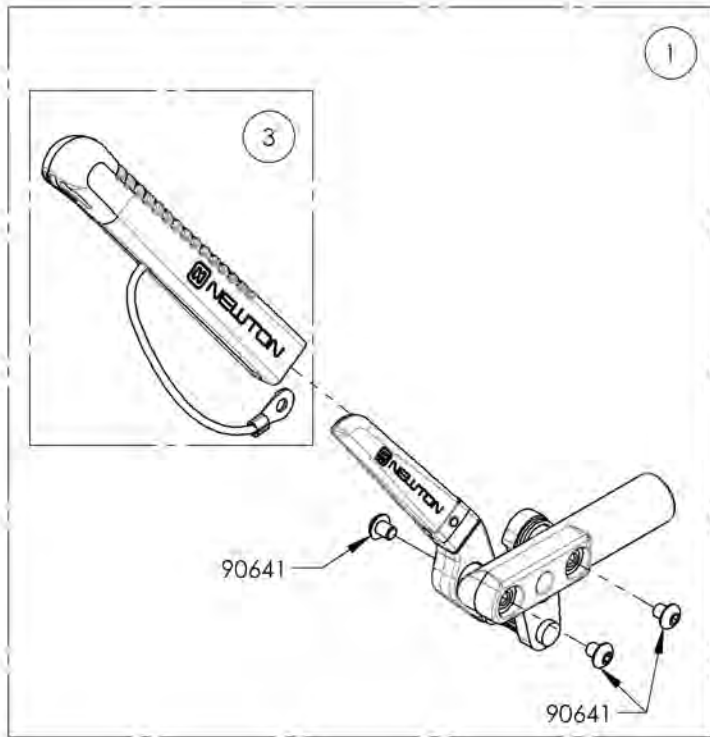


MAKE SURE TO HAVE YOUR SERIAL NUMBER NEARBY WHEN ORDERING PARTS FOR YOUR MOTION COMPOSITES WHEELCHAIR

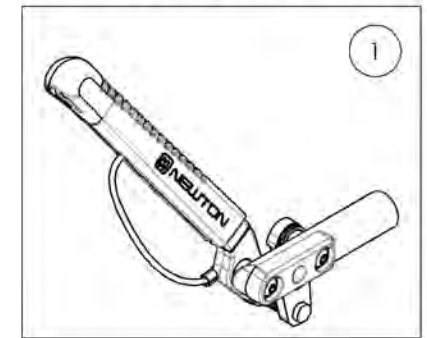
**9002218\_9002219**

**Wheel Lock - Newton Spring Loaded Push to lock,  
6 in Removable Extension Handle**

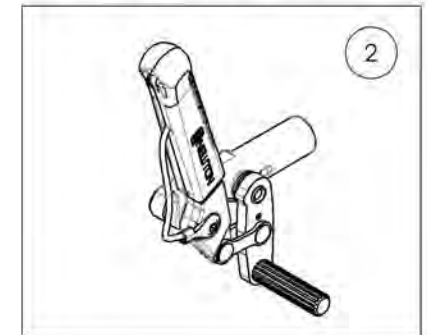
ITEM NO.	PARTNO	DESCRIPTION	9002218 /QTY.	9002219 /QTY.	REPLACEMENT PARTS/QTY.
1	41052	NEWTON PUSH SPRING WHEEL LOCK + EXTENSION, RIGHT - ASSY	1	-	-
2	41051	NEWTON PUSH SPRING WHEEL LOCK + EXTENSION, LEFT - ASSY	-	1	-
3	41500	NEWTON REMOVABLE EXTENSION HANDLE - ASSEMBLY	-	-	1



9002218  
Wheel Lock - Newton Spring  
Loaded Push to lock, 6 in  
Removable Extension Handle



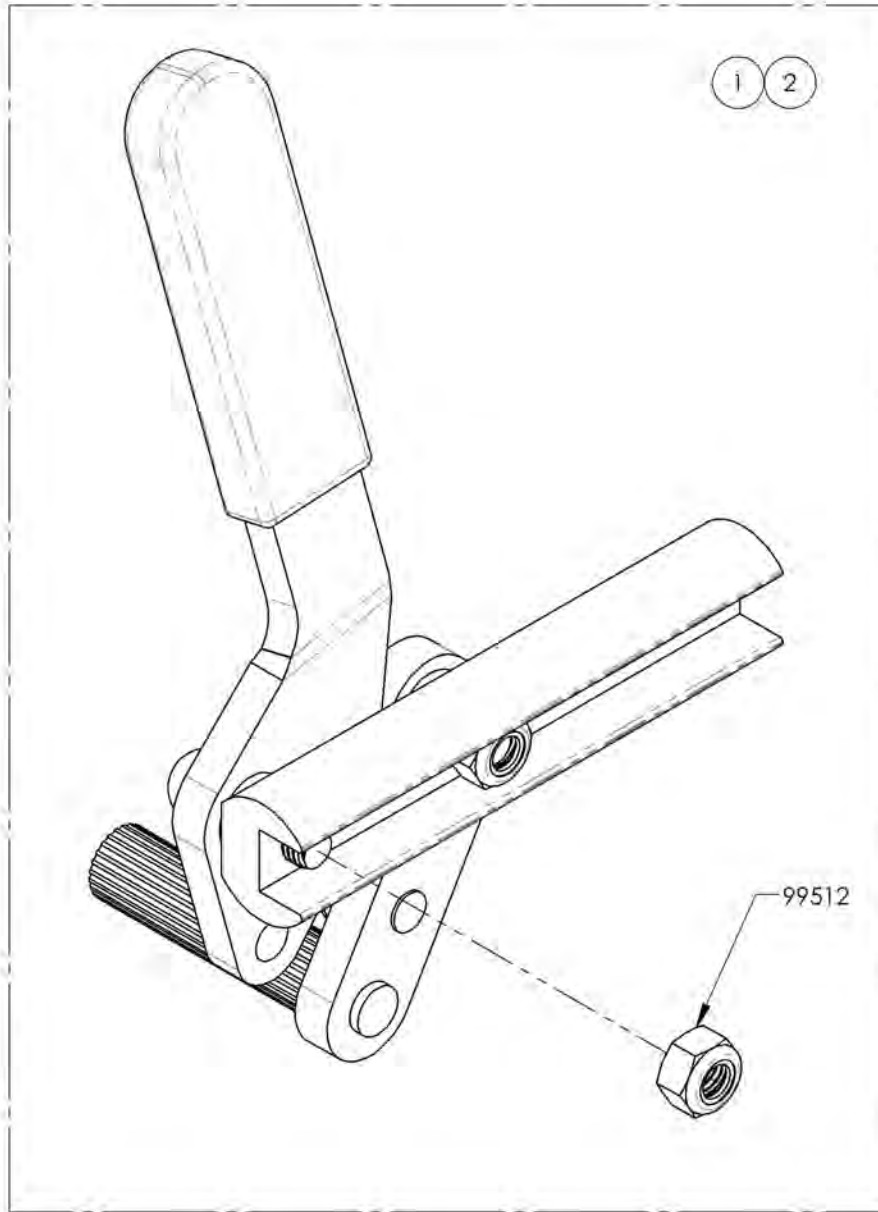
9002219  
Wheel Lock - Newton Spring  
Loaded Push to lock, 6 in  
Removable Extension Handle



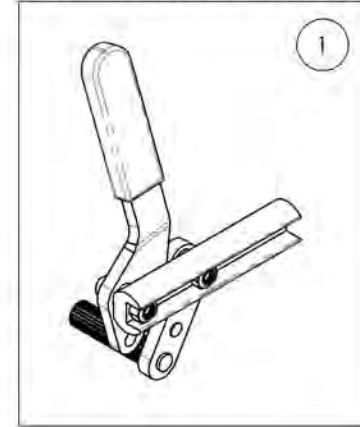
MAKE SURE TO HAVE YOUR SERIAL NUMBER  
NEARBY WHEN ORDERING PARTS FOR YOUR  
MOTION COMPOSITES WHEELCHAIR

**9001128\_9001129**  
**Wheel Lock - Pull to Lock**

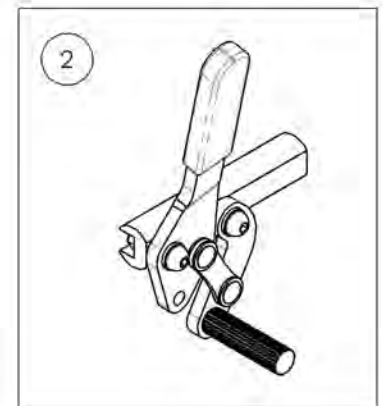
ITEM NO.	PARTNO	DESCRIPTION	9001128 /QTY.	9001129 /QTY.
1	41078	PULL TO LOCK WHEEL LOCK, RIGHT	1	-
2	41079	PULL TO LOCK WHEEL LOCK, LEFT	-	1



9001128  
 Wheel Lock - Pull to Lock, Right

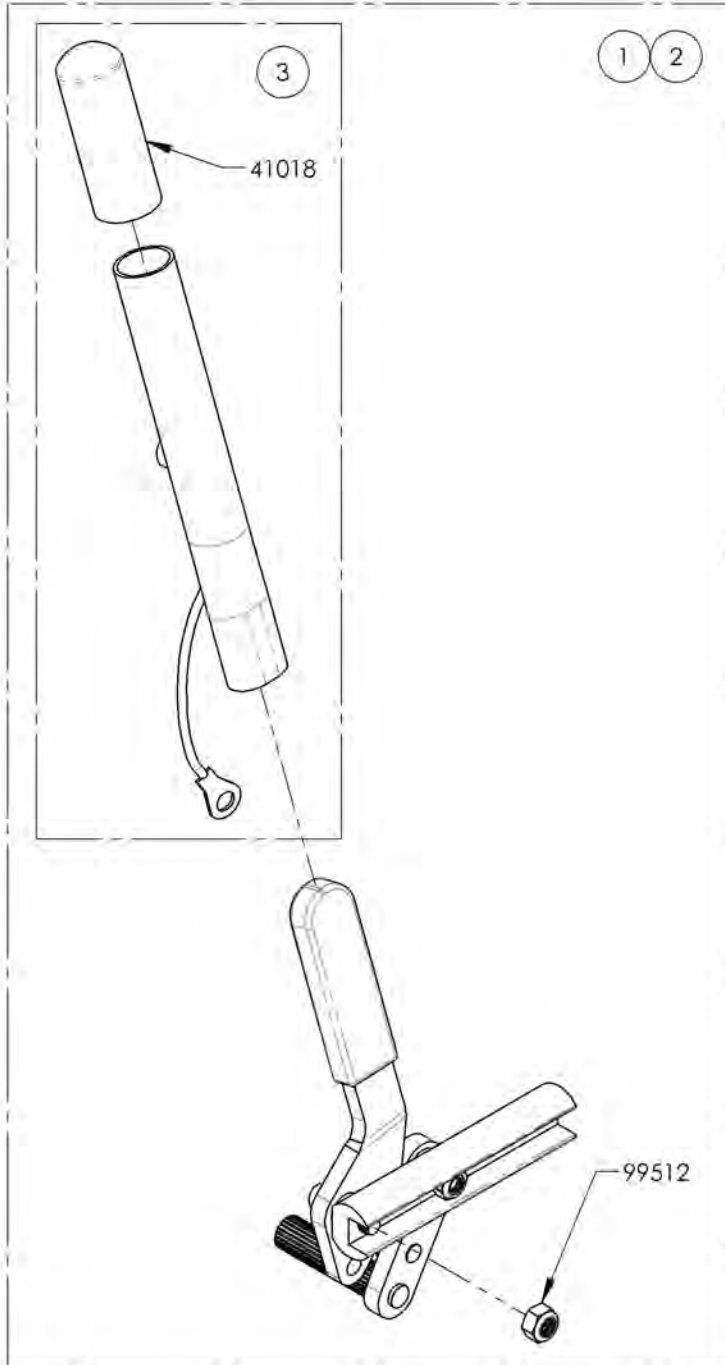


9001129  
 Wheel Lock - Pull to Lock, Left



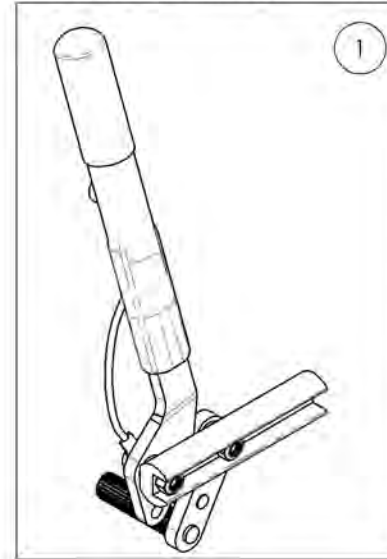
MAKE SURE TO HAVE YOUR SERIAL NUMBER  
 NEARBY WHEN ORDERING PARTS FOR YOUR  
 MOTION COMPOSITES WHEELCHAIR

**9001130\_9001131**  
**Wheel Lock - Pull to Lock, 6 in Removable Extension Handle**

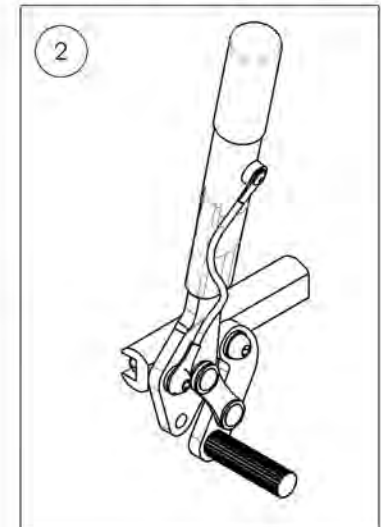


ITEM NO.	PARTNO	DESCRIPTION	9001130 /QTY.	9001131 /QTY.	REPLACEMENT PARTS/QTY.
1	41080	PULL TO LOCK WHEEL LOCK + EXTENSION, RIGHT	1	-	-
2	41081	PULL TO LOCK WHEEL LOCK + EXTENSION, LEFT	-	1	-
3	41005	REMOVABLE EXTENSION HANDLE	-	-	1

9001130  
 Wheel Lock - Pull to Lock, 6 in  
 Removable Extension Handle, Right



9001131  
 Wheel Lock - Pull to Lock, 6 in  
 Removable Extension Handle, Left

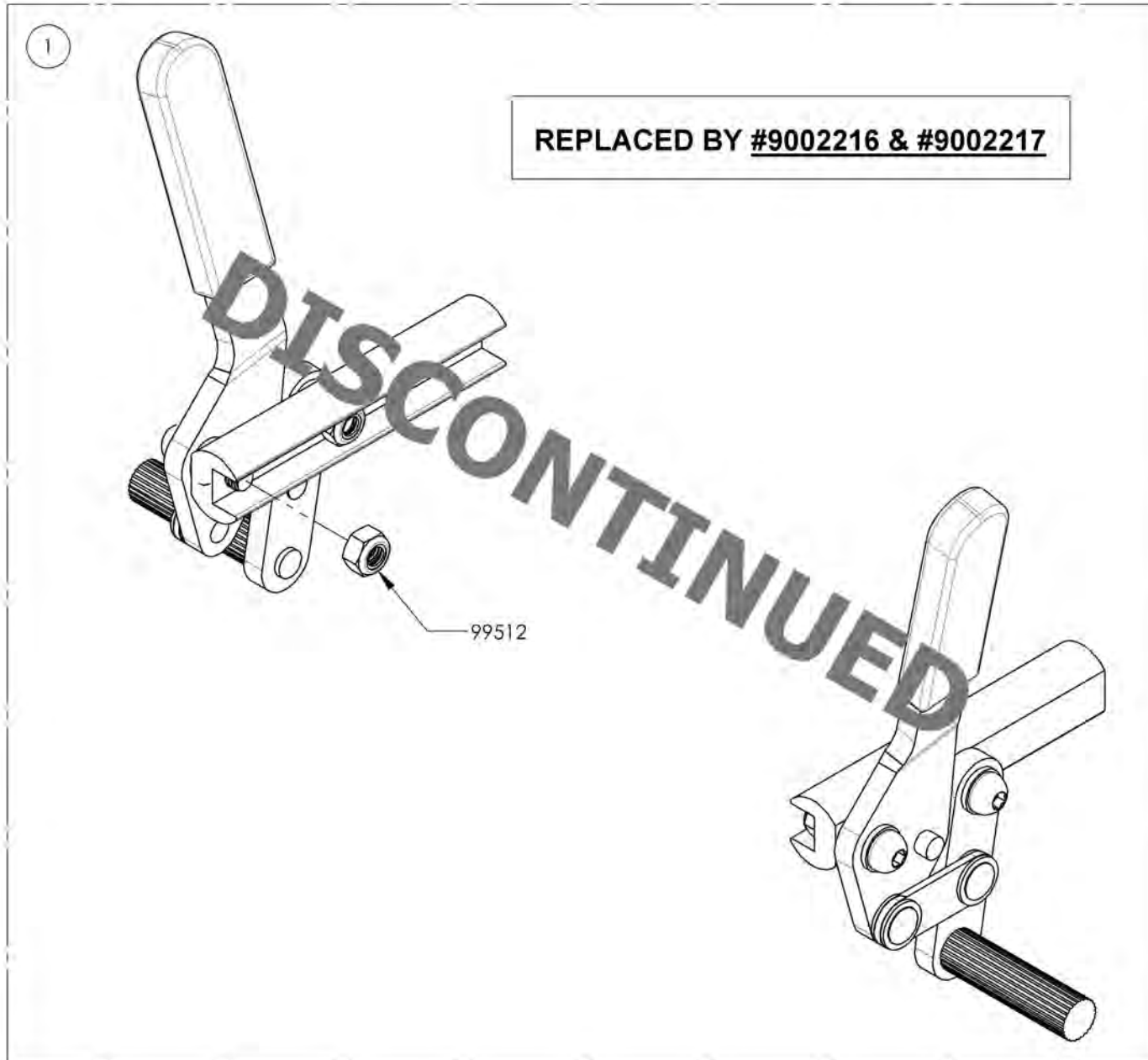


MAKE SURE TO HAVE YOUR SERIAL NUMBER  
 NEARBY WHEN ORDERING PARTS FOR YOUR  
 MOTION COMPOSITES WHEELCHAIR



**9001573**  
**Wheel Lock - Push to Lock**

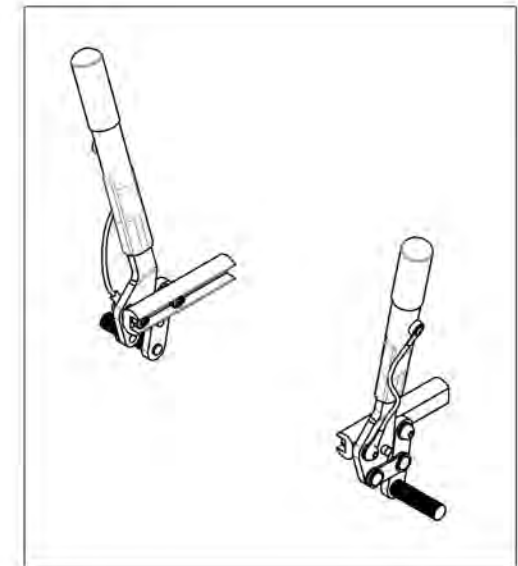
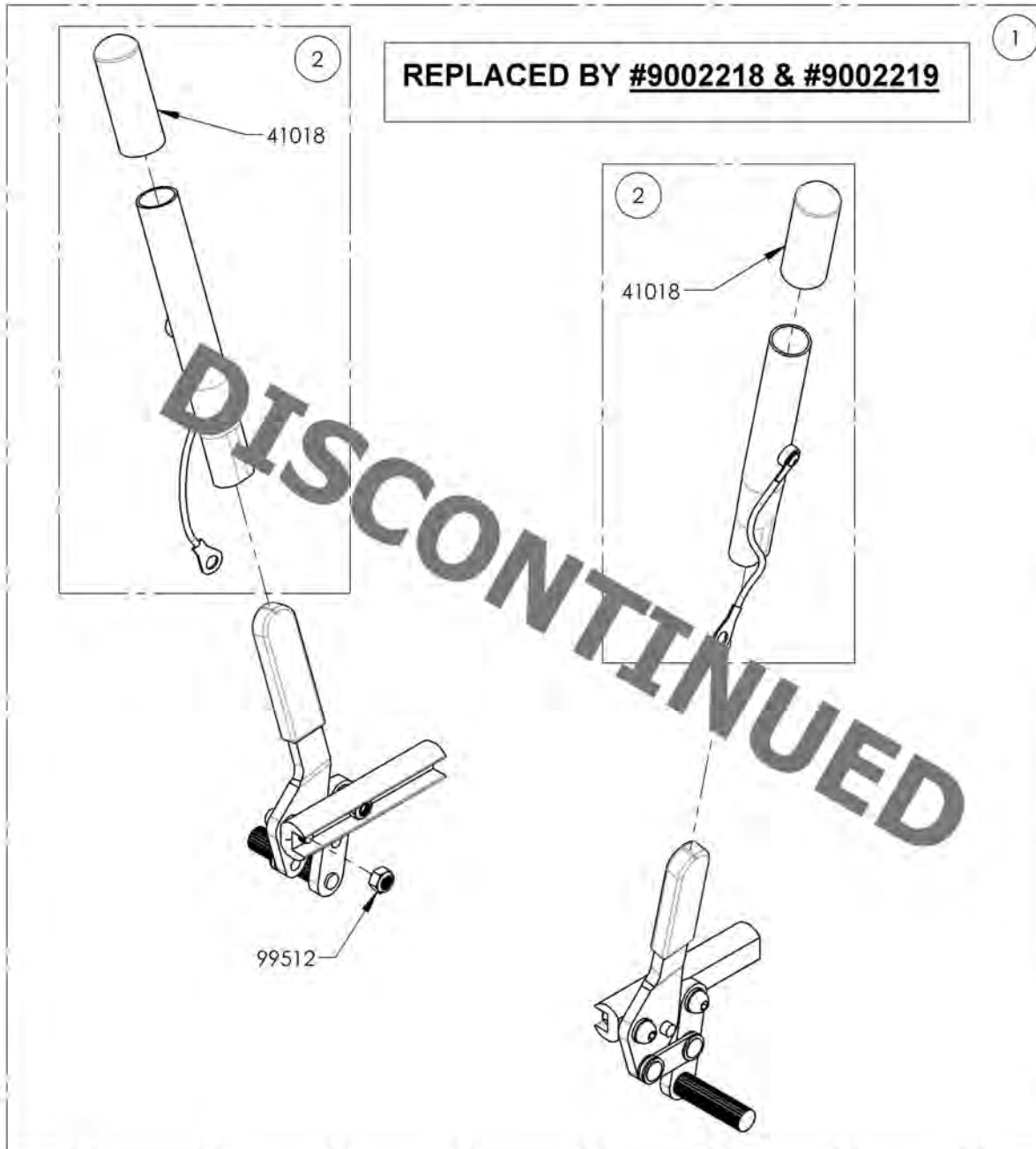
ITEM NO.	PARTNO	DESCRIPTION	9001573 /QTY.
1	41002	WHEEL LOCK PUSH	1



MAKE SURE TO HAVE YOUR SERIAL NUMBER  
NEARBY WHEN ORDERING PARTS FOR YOUR  
MOTION COMPOSITES WHEELCHAIR

**9001575**  
**Wheel Lock - Push to Lock, 6 in Removable Extension Handle**

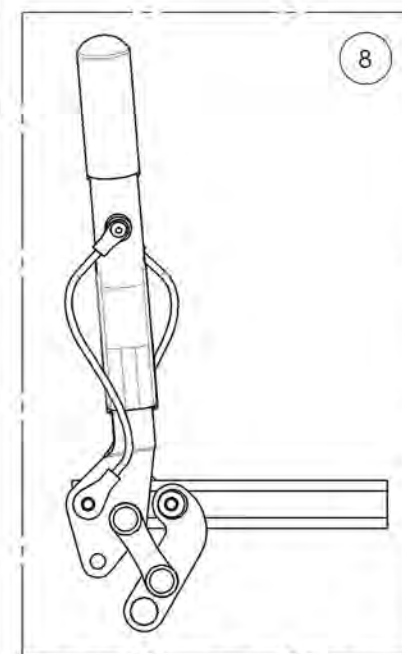
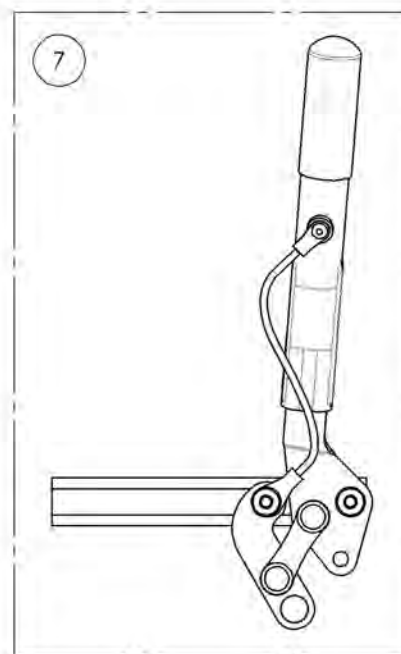
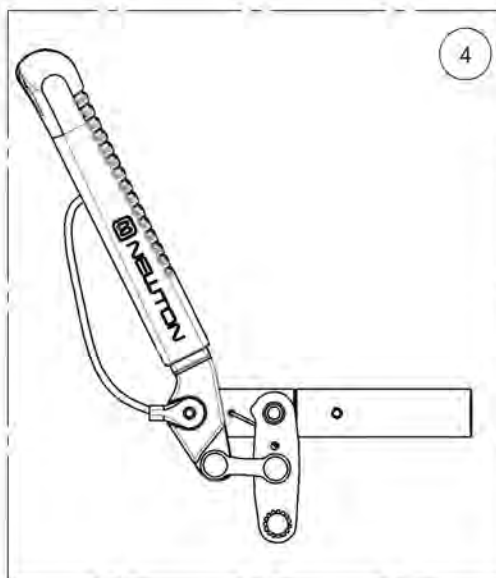
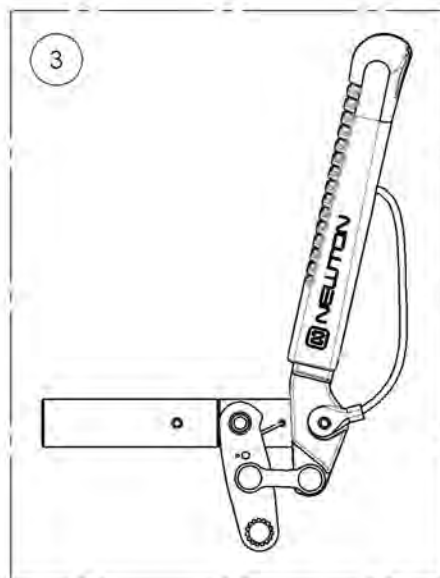
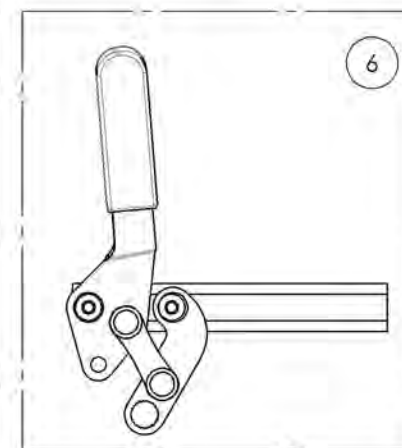
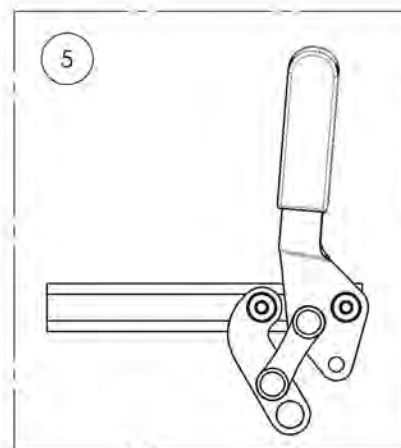
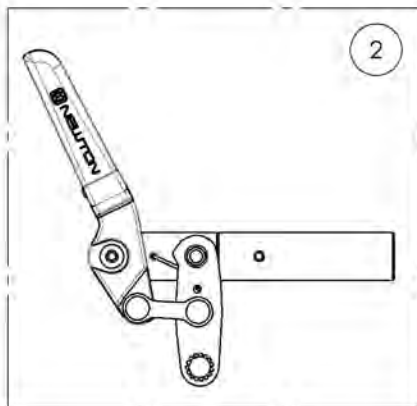
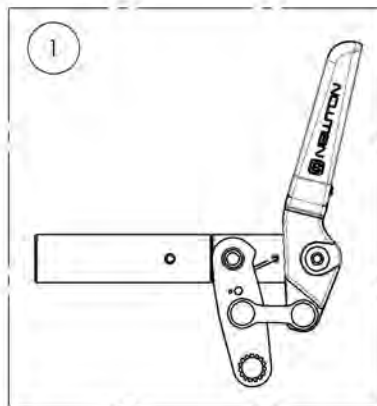
ITEM NO.	PARTNO	DESCRIPTION	9001575 /QTY.	REPLACEMENT PARTS/QTY.
1	41013	WHEEL LOCK PUSH RIGHT & LEFT (PAIR)	1	-
2	41005	REMOVABLE EXTENSION HANDLE	-	1



MAKE SURE TO HAVE YOUR SERIAL NUMBER  
 NEARBY WHEN ORDERING PARTS FOR YOUR  
 MOTION COMPOSITES WHEELCHAIR

**Wheel Locks Catalogue**  
**Wheel Lock - Push & Pull with Extended Rail**

ITEM NO.	PARTNO	DESCRIPTION	QTY.
1	9003025	Wheel Lock - Newton Spring Loaded Push to Lock, Extended Rail, Right	1
2	9003026	Wheel Lock - Newton Spring Loaded Push to Lock, Extended Rail, Left	1
3	9003027	Wheel Lock - Newton Spring Loaded Push to Lock, Extended Rail, 6 in Removable Extension Handle, Right	1
4	9003028	Wheel Lock - Newton Spring Loaded Push to Lock, Extended Rail, 6 in Removable Extension Handle, Left	1
5	9003628	Wheel Lock - Pull to Lock, Extended Rail, Right	1
6	9003629	Wheel Lock - Pull to Lock, Extended Rail, Left	1
7	9003630	Wheel Lock - Pull to Lock, Extended Rail, 6 in Removable Extension Handle, Right	1
8	9003631	Wheel Lock - Pull to Lock, Extended Rail, 6 in Removable Extension Handle, Left	1

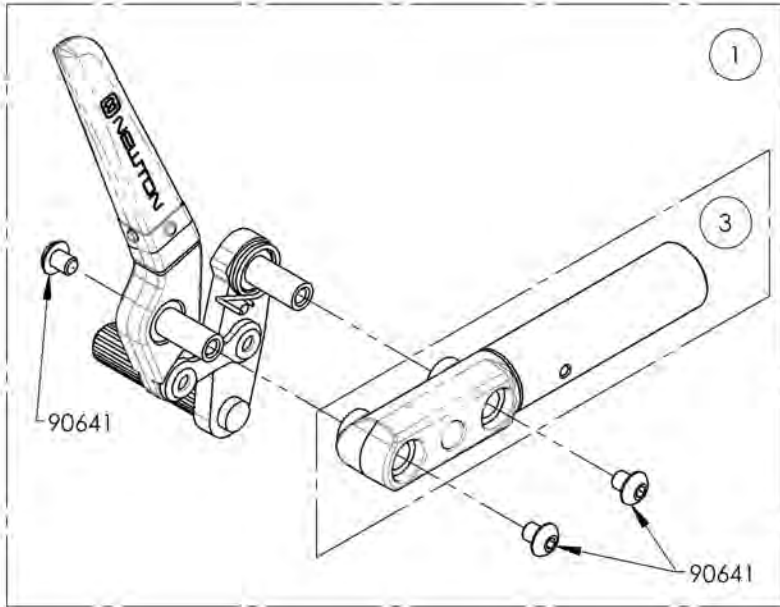


MAKE SURE TO HAVE YOUR SERIAL NUMBER NEARBY WHEN ORDERING PARTS FOR YOUR MOTION COMPOSITES WHEELCHAIR

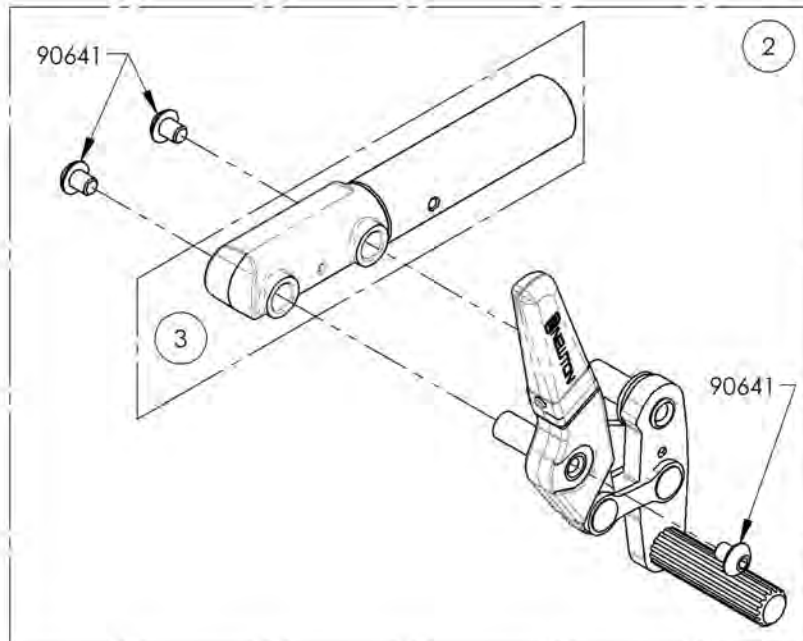
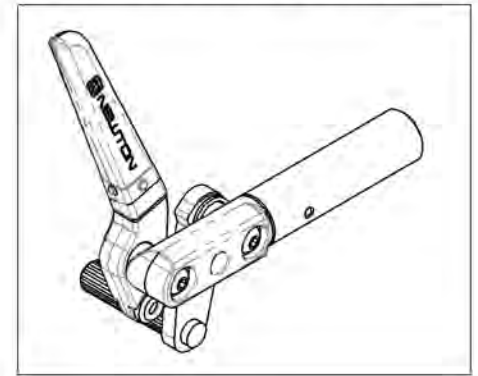
**9003025\_9003026**

**Wheel Lock - Newton Spring Loaded Push to Lock, Extended Rail**

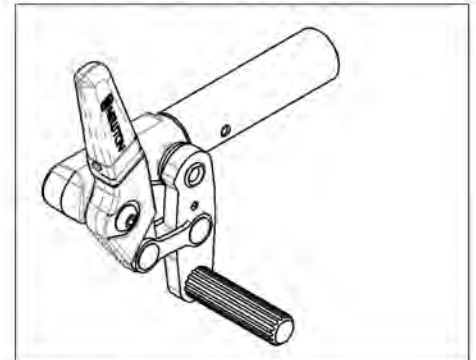
ITEM NO.	PARTNO	DESCRIPTION	9003025 /QTY.	9003026 /QTY.	REPLACEMENT PARTS/QTY.
1	41516	NEWTON PUSH SPRING WHEEL LOCK WITH EXTENDED RAIL, RIGHT - ASSEMBLY	1	-	-
2	41517	NEWTON PUSH SPRING WHEEL LOCK WITH EXTENDED RAIL, LEFT - ASSEMBLY	-	1	-
3	41072	EXTENDED WHEEL LOCK RAIL_PUSH TO LOCK	-	-	1



9003025  
Wheel Lock - Newton Spring Loaded  
Push to Lock, Extended Rail, Right



9003026  
Wheel Lock - Newton Spring Loaded  
Push to Lock, Extended Rail, Left

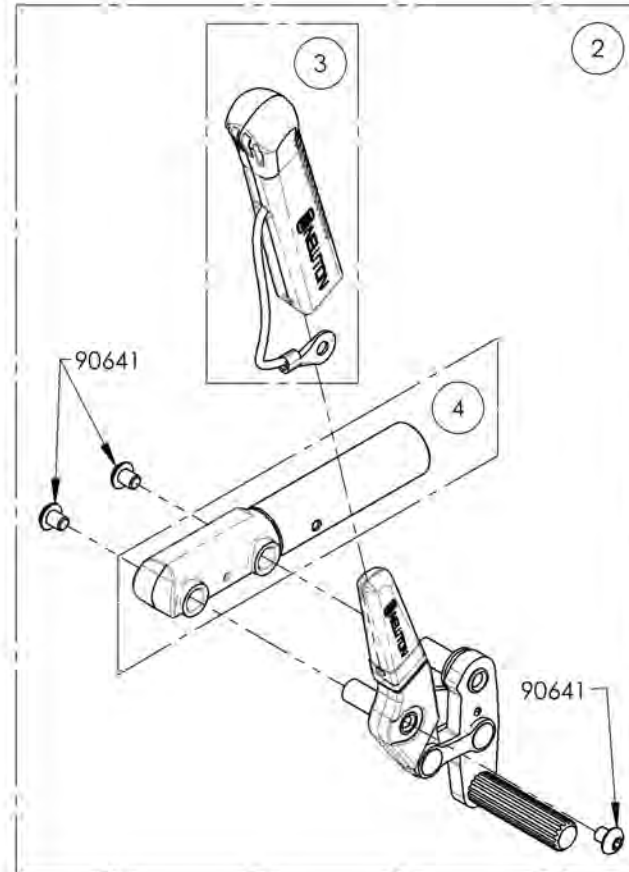
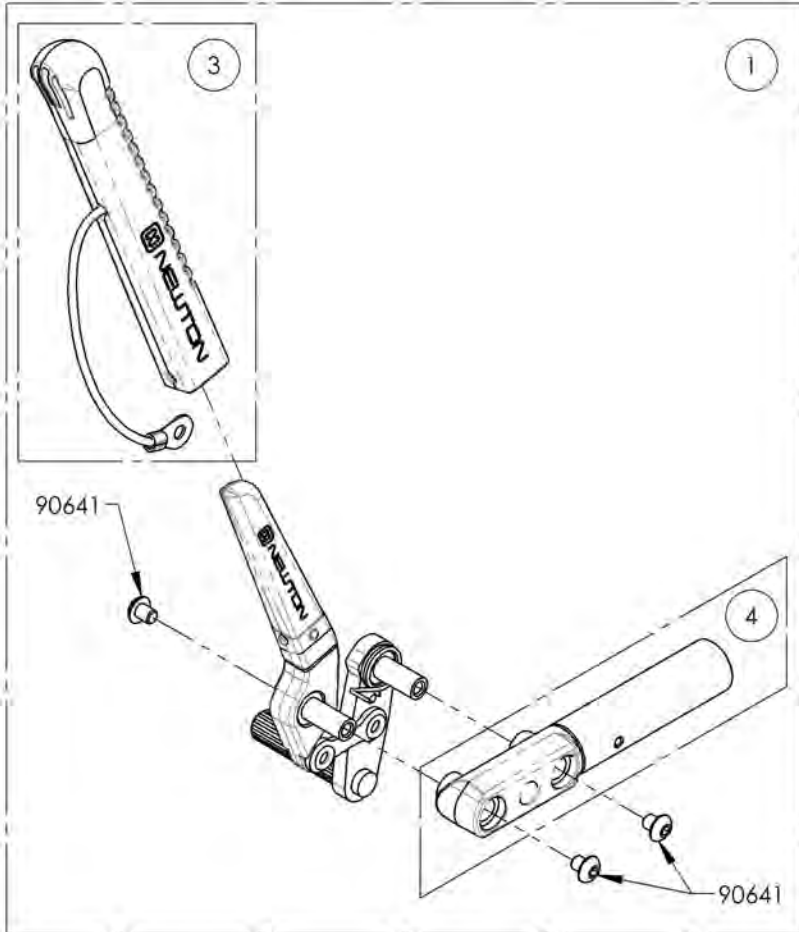


MAKE SURE TO HAVE YOUR SERIAL NUMBER NEARBY WHEN ORDERING PARTS FOR YOUR MOTION COMPOSITES WHEELCHAIR

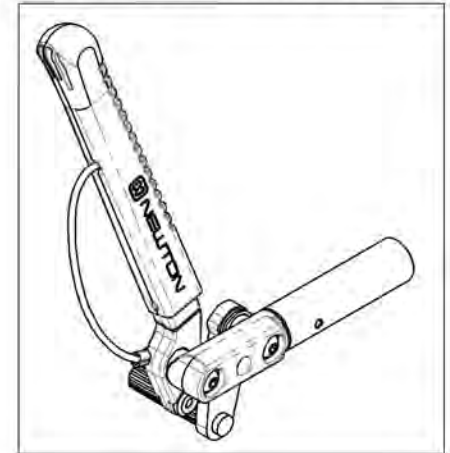
**9003027\_9003028**

**Wheel Lock - Newton Spring Loaded Push to Lock, Extended Rail, 6 in Removable Extension Handle**

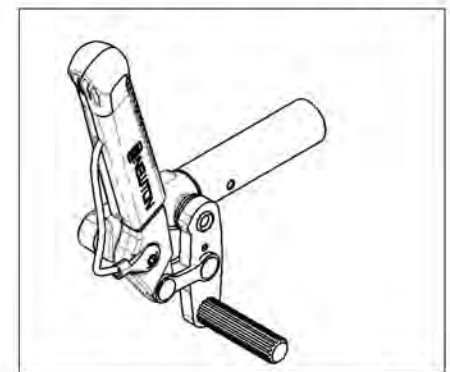
ITEM NO.	PARTNO	DESCRIPTION	9003027 /QTY.	9003028 /QTY.	REPLACEMENT PARTS/QTY.
1	41076	NEWTON PUSH SPRING WHEEL LOCK WITH EXTENSION + EXTENDED RAIL, RIGHT - ASSEMBLY	1	-	-
2	41077	NEWTON PUSH SPRING WHEEL LOCK WITH EXTENSION + EXTENDED RAIL, LEFT - ASSEMBLY	-	1	-
3	41500	NEWTON REMOVABLE EXTENSION HANDLE - ASSEMBLY	-	-	1
4	41072	EXTENDED WHEEL LOCK RAIL_PUSH TO LOCK	-	-	1



9003027  
Wheel Lock - Newton Spring Loaded  
Push to Lock, Extended Rail, 6 in  
Removable Extension Handle, Right



9003028  
Wheel Lock - Newton Spring Loaded  
Push to Lock, Extended Rail, 6 in  
Removable Extension Handle, Left

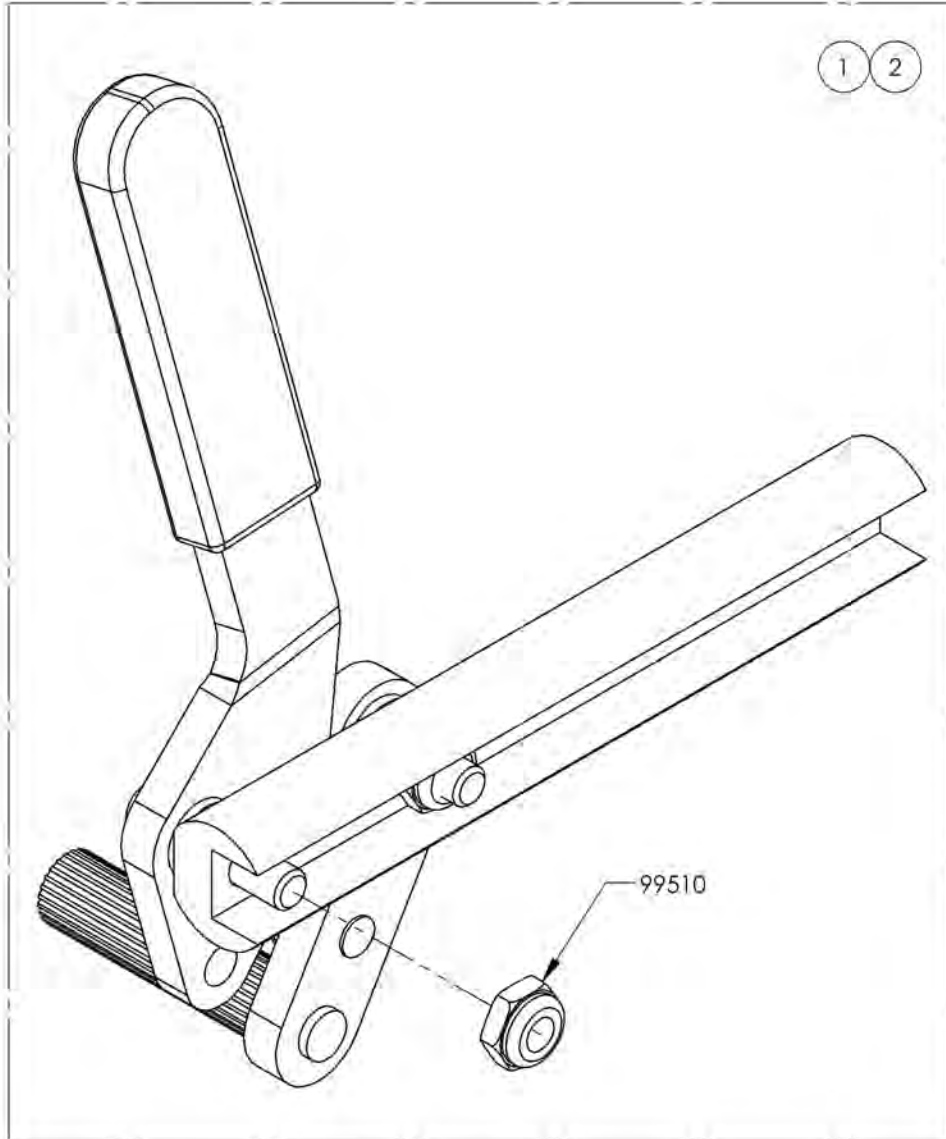


MAKE SURE TO HAVE YOUR SERIAL NUMBER NEARBY WHEN ORDERING PARTS FOR YOUR MOTION COMPOSITES WHEELCHAIR

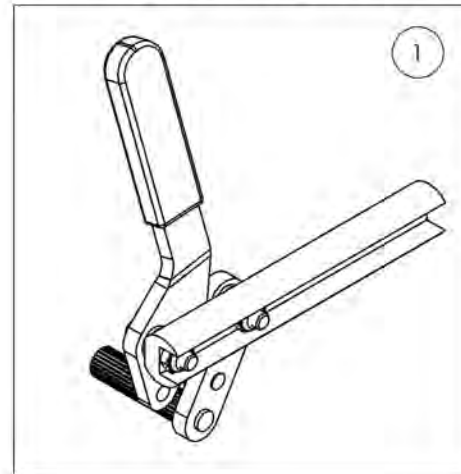
9003628\_9003629

Wheel Lock - Pull to Lock, Extended Rail

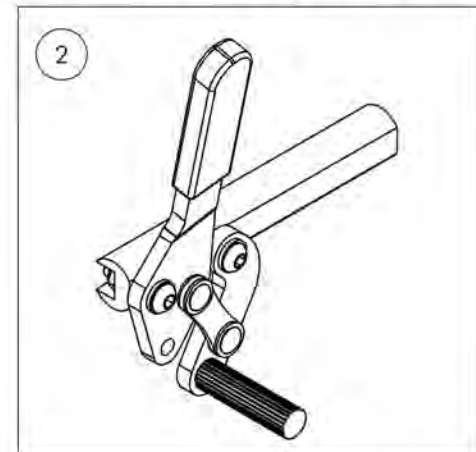
ITEM NO.	PARTNO	DESCRIPTION	9003628 /QTY.	9003629 /QTY.
1	41714	PULL TO LOCK WHEEL LOCK + EXTENSION RAIL, RIGHT	1	-
2	41715	PULL TO LOCK WHEEL LOCK + EXTENSION RAIL, LEFT	-	1



Default  
Wheel Lock - Pull to Lock, Extended Rail, Right



Default  
Wheel Lock - Pull to Lock, Extended Rail, Left



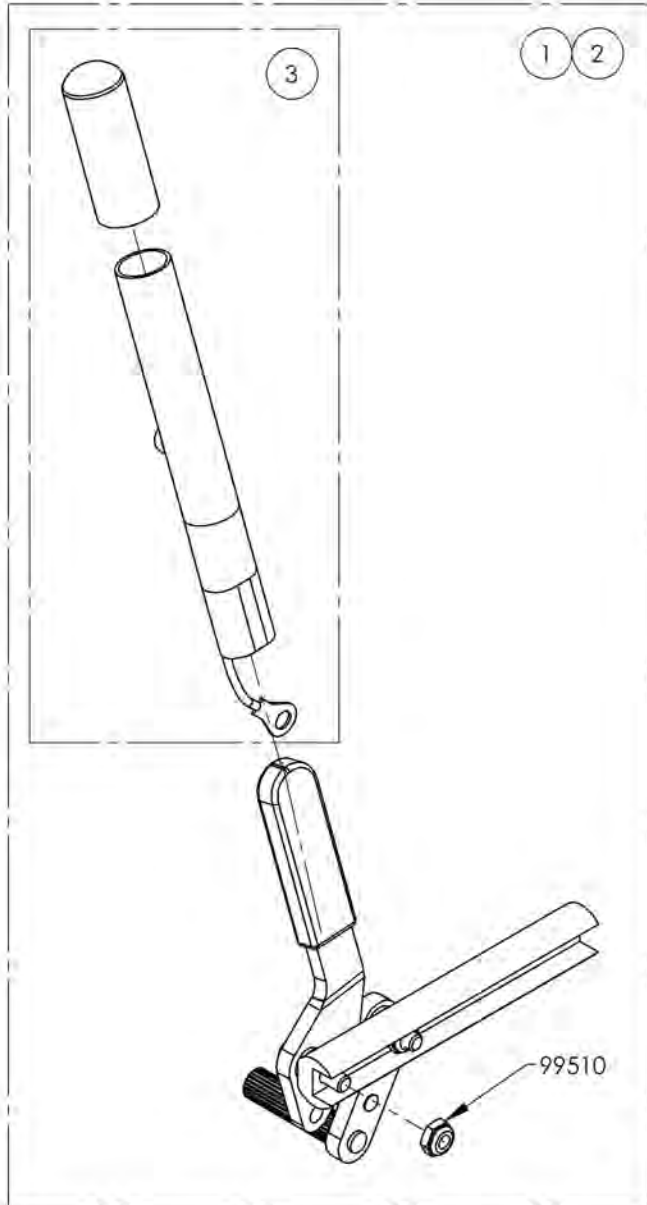
MAKE SURE TO HAVE YOUR SERIAL NUMBER NEARBY WHEN ORDERING PARTS FOR YOUR MOTION COMPOSITES WHEELCHAIR



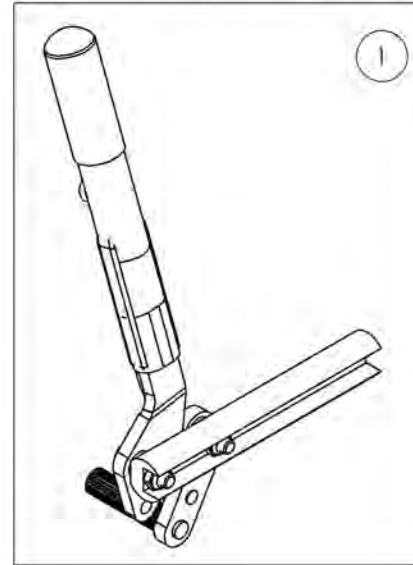
9003630\_9003631

**Wheel Lock - Pull to Lock, Extended Rail, 6 in Removable Extension Handle**

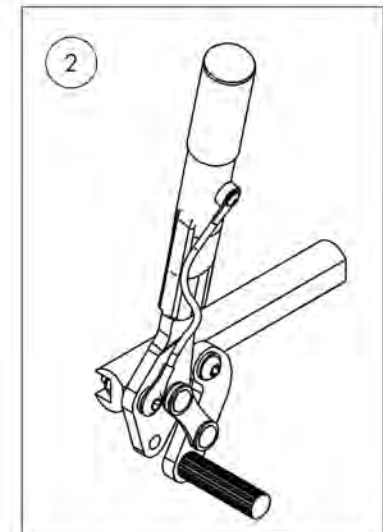
ITEM NO.	PARTNO	DESCRIPTION	9003630 /QTY.	9003631 /QTY.	REPLACEMENT PARTS/QTY.
1	41712	PULL TO LOCK WHEEL LOCK + HANDLE & EXTENSION RAIL, RIGHT	1	-	-
2	41713	PULL TO LOCK WHEEL LOCK + HANDLE & EXTENSION RAIL, LEFT	-	1	-
3	41005	REMOVABLE EXTENSION HANDLE	-	-	1



Default  
Wheel Lock - Pull to Lock, Extended Rail,  
6 in Removable Extension Handle, Right



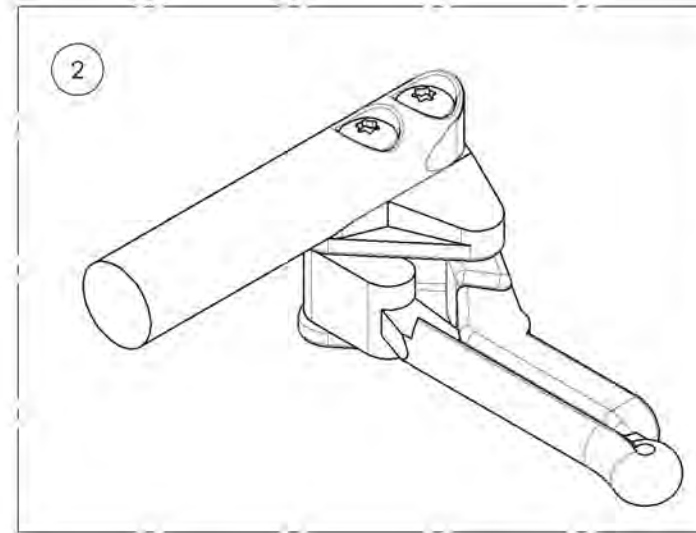
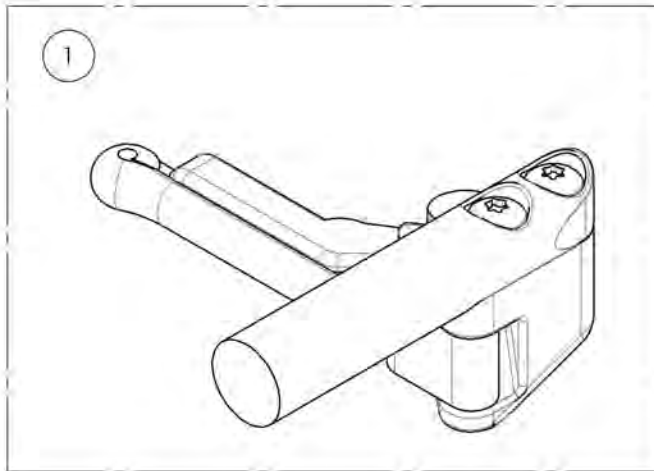
Default  
Wheel Lock - Pull to Lock, Extended Rail,  
6 in Removable Extension Handle, Left



MAKE SURE TO HAVE YOUR SERIAL NUMBER  
NEARBY WHEN ORDERING PARTS FOR YOUR  
MOTION COMPOSITES WHEELCHAIR

**Wheel Locks Catalogue**  
**Wheel Lock - Scissor**

ITEM NO.	PARTNO	DESCRIPTION	QTY.
1	9001585	Wheel Lock - Scissor, Right	1
2	9001586	Wheel Lock - Scissor, Left	1

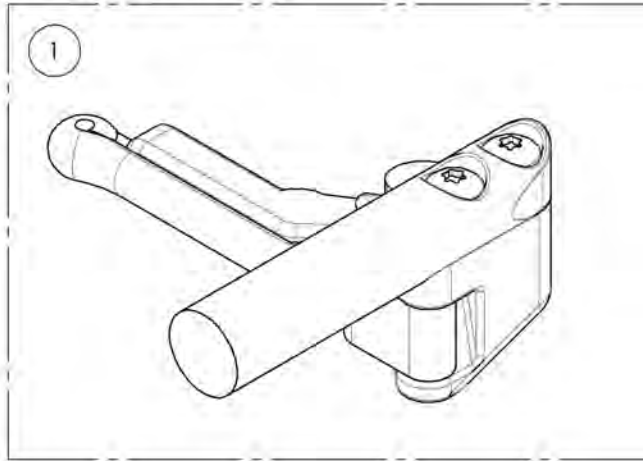


MAKE SURE TO HAVE YOUR SERIAL NUMBER  
NEARBY WHEN ORDERING PARTS FOR YOUR  
MOTION COMPOSITES WHEELCHAIR

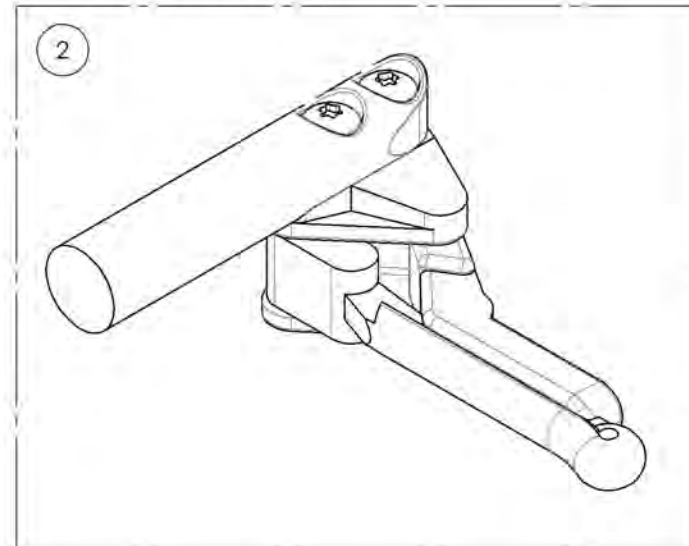
**9001585\_9001586**  
**Wheel Lock - Scissor**

ITEM NO.	PARTNO	DESCRIPTION	9001585 /QTY.	9001586 /QTY.
1	41039	OUT-FRONT SCISSOR WHEEL LOCK RIGHT	1	-
2	41038	OUT-FRONT SCISSOR WHEEL LOCK LEFT	-	1

9001585  
Wheel Lock - Scissor, Right



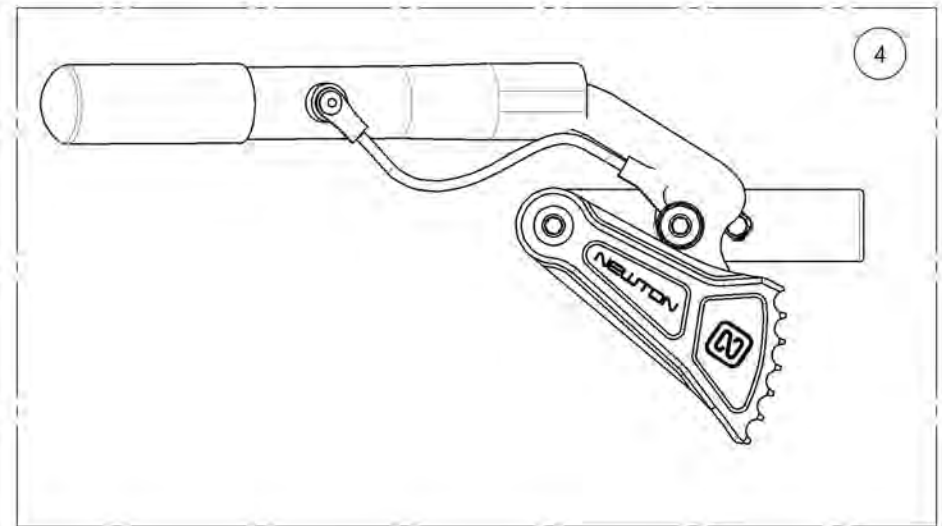
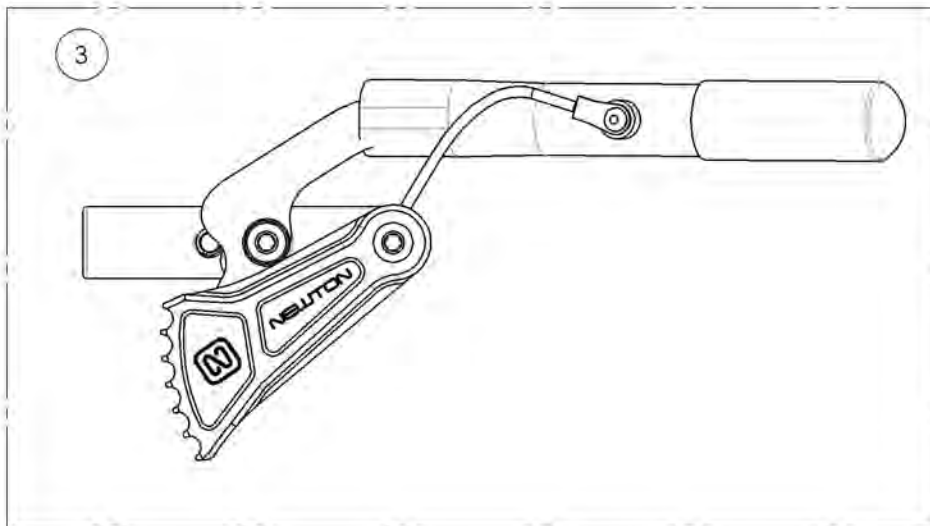
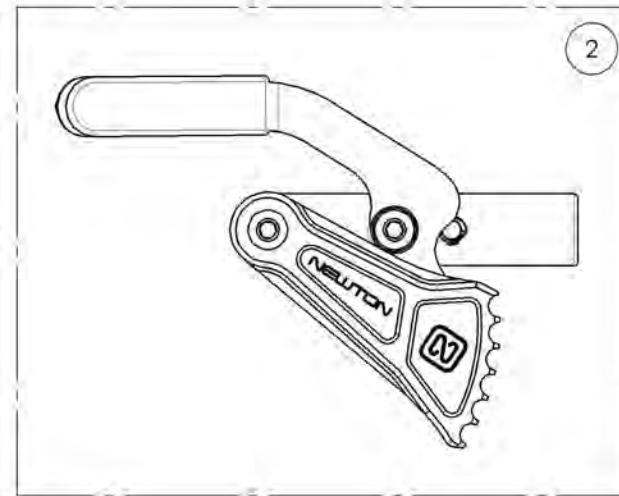
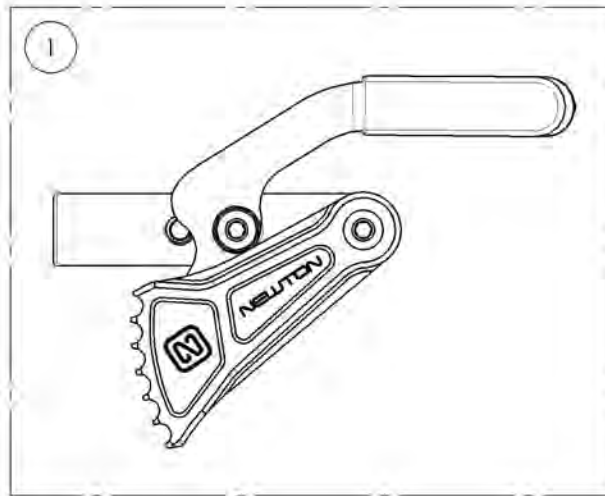
9001586  
Wheel Lock - Scissor, Left



MAKE SURE TO HAVE YOUR SERIAL NUMBER  
NEARBY WHEN ORDERING PARTS FOR YOUR  
MOTION COMPOSITES WHEELCHAIR

**Wheel Locks Catalogue**  
**Wheel Lock - Grade Aid**

ITEM NO.	PARTNO	DESCRIPTION	QTY.
1	9001581	Wheel Lock - Newton Grade Aid, Push to lock, Right	1
2	9001582	Wheel Lock - Newton Grade Aid, Push to lock, Left	1
3	9001583	Wheel Lock - Newton Grade Aid, Push to lock, 6 in Removable Extension Handle, Right	1
4	9001584	Wheel Lock - Newton Grade Aid, Push to lock, 6 in Removable Extension Handle, Left	1

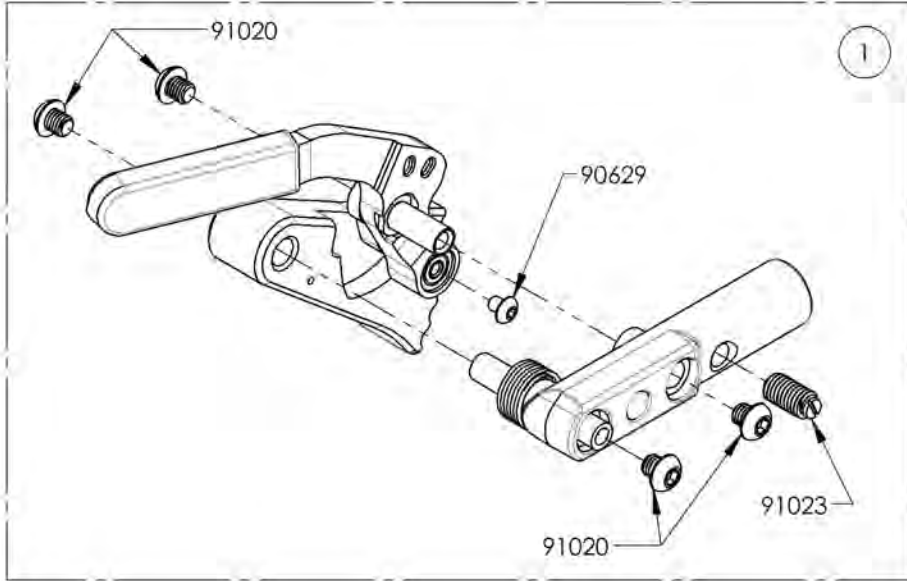


MAKE SURE TO HAVE YOUR SERIAL NUMBER  
 NEARBY WHEN ORDERING PARTS FOR YOUR  
 MOTION COMPOSITES WHEELCHAIR

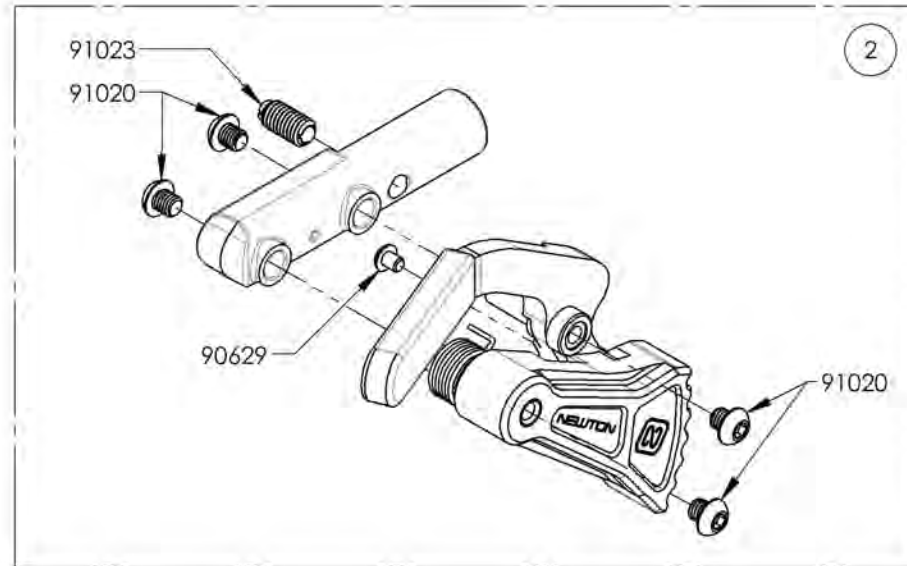
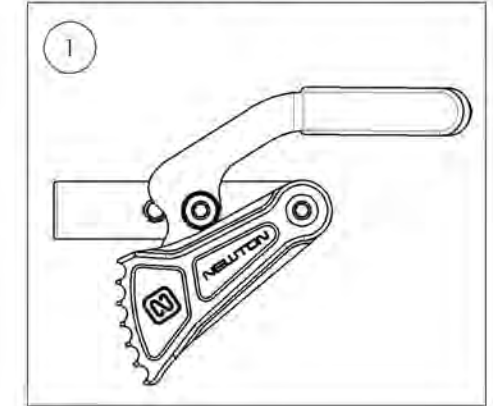
**9001581\_9001582**

**Wheel Lock - Newton Grade Aid, Push to Lock**

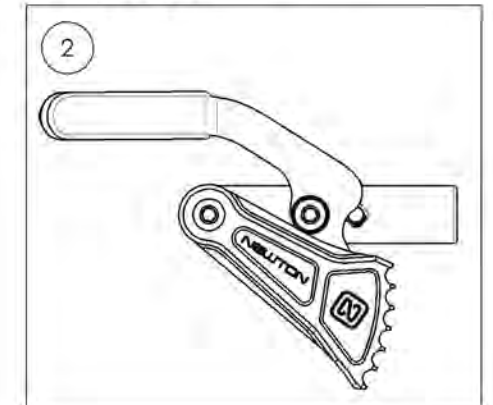
ITEM NO.	PARTNO	DESCRIPTION	9001581 /QTY.	9001582 /QTY.
1	41D35	GRADE AID BRAKE RIGHT - ASSEMBLY	1	-
2	41D36	GRADE AID BRAKE LEFT - ASSEMBLY	-	1



9001581  
Wheel Lock - Newton Grade Aid,  
Push to lock, Right



9001582  
Wheel Lock - Newton Grade Aid,  
Push to lock, Left

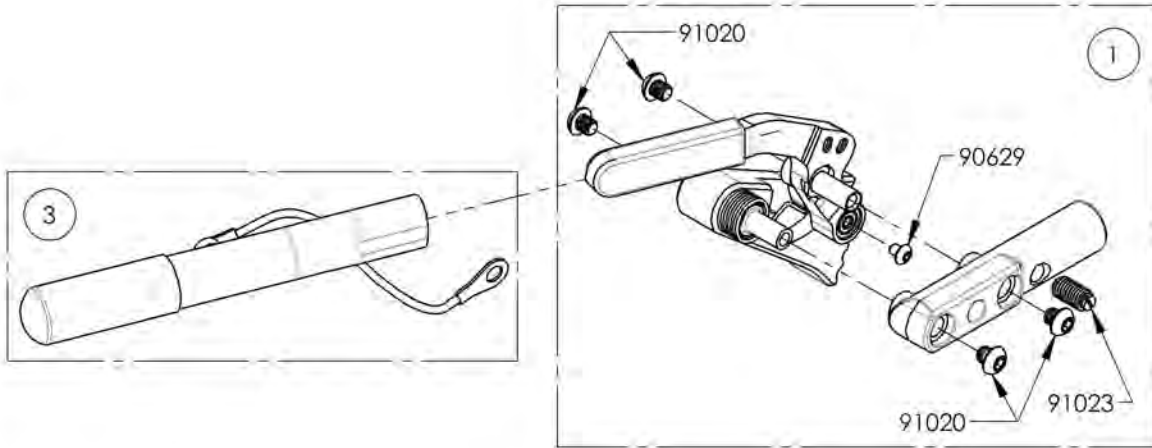


MAKE SURE TO HAVE YOUR SERIAL NUMBER  
NEARBY WHEN ORDERING PARTS FOR YOUR  
MOTION COMPOSITES WHEELCHAIR

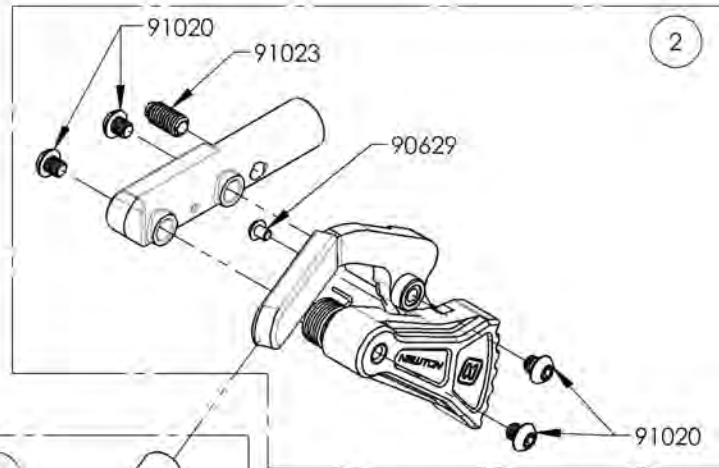
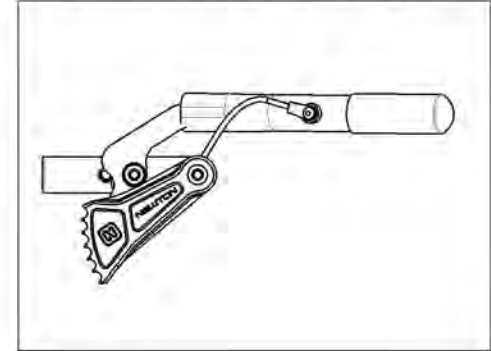
**9001583\_9001584**

**Wheel Lock - Newton Grade Aid, Push to Lock, 6 in Removable Extension Handle**

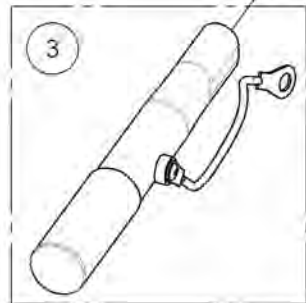
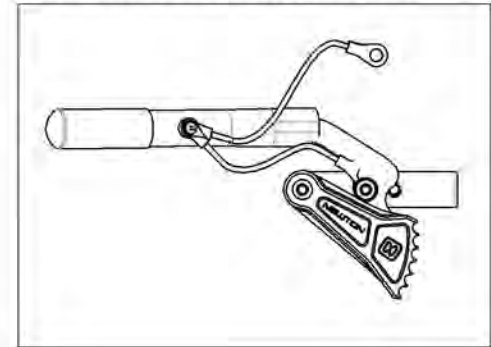
ITEM NO.	PARTNO	DESCRIPTION	9001583 /QTY.	9001584 /QTY.
1	41035	GRADE AID BRAKE RIGHT - ASSEMBLY	1	-
2	41036	GRADE AID BRAKE LEFT - ASSEMBLY	-	1
3	41005	REMOVABLE EXTENSION HANDLE	1	1



9001583  
Wheel Lock - Newton Grade Aid, Push to lock, 6 in Removable Extension Handle, Right



9001584  
Wheel Lock - Newton Grade Aid, Push to lock, 6 in Removable Extension Handle, Left

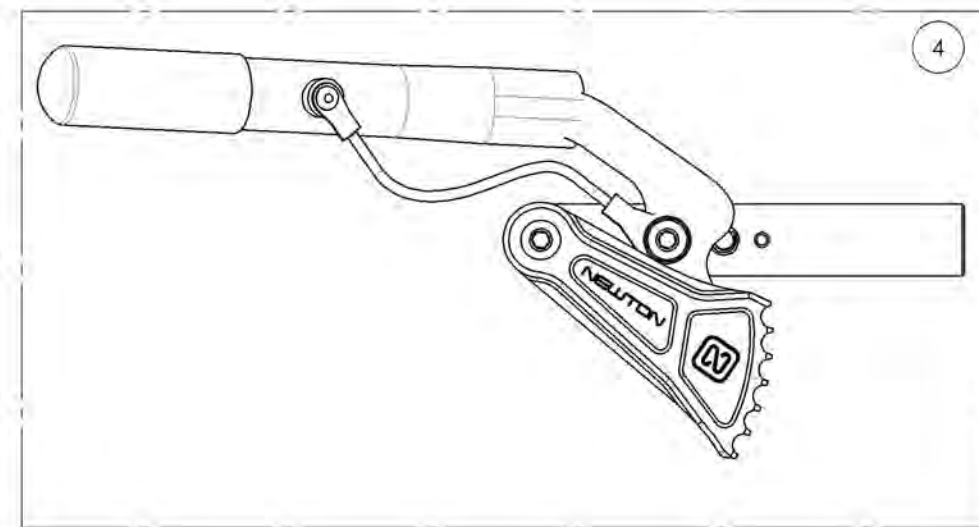
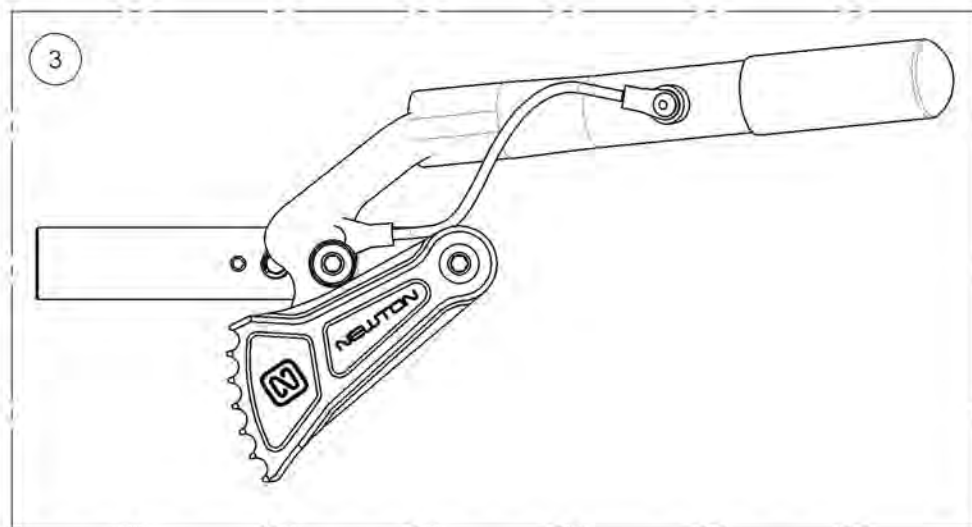
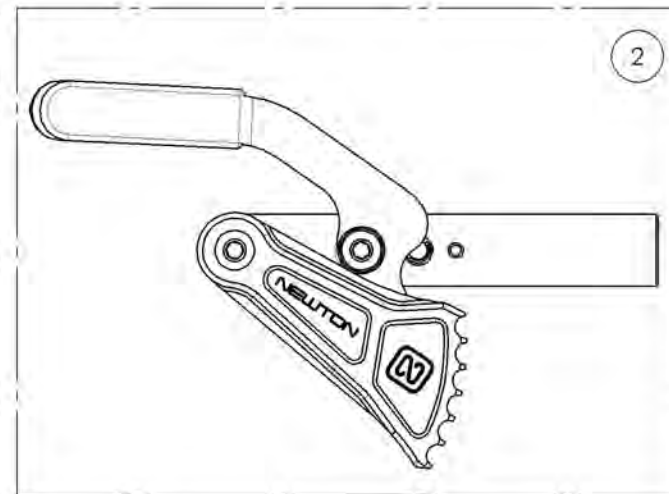
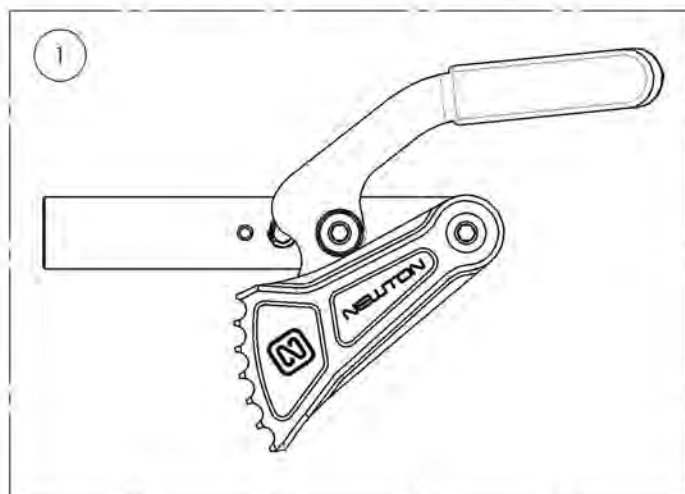


MAKE SURE TO HAVE YOUR SERIAL NUMBER NEARBY WHEN ORDERING PARTS FOR YOUR MOTION COMPOSITES WHEELCHAIR



**Wheel Locks Catalogue**  
**Wheel Lock - Grade Aid With Extended Rail**

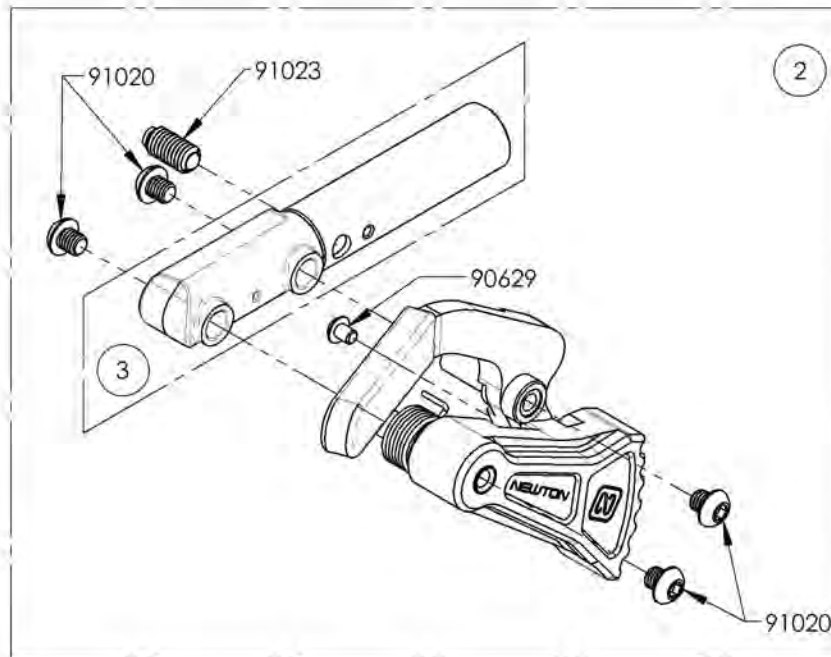
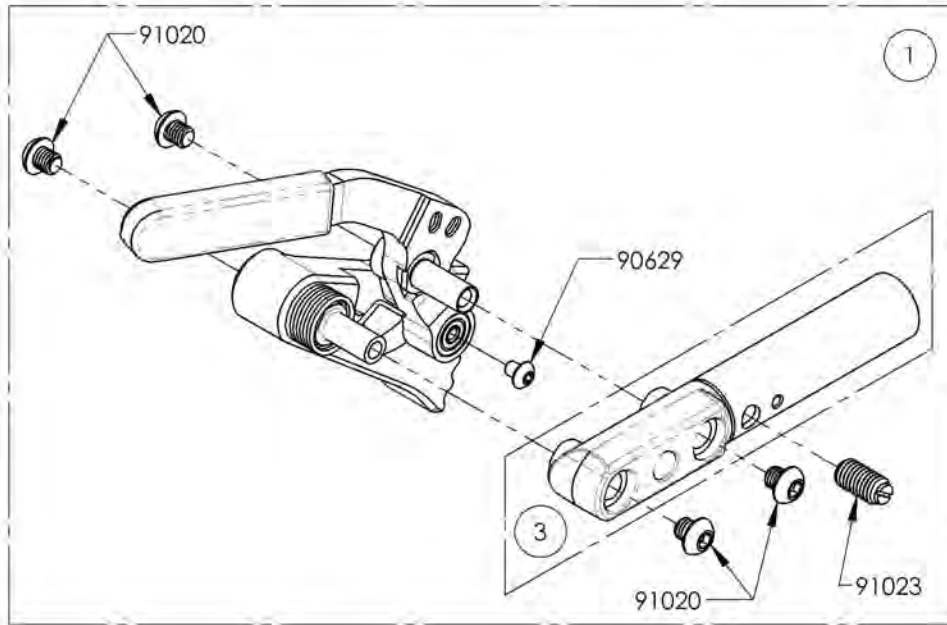
ITEM NO.	PARTNO	DESCRIPTION	QTY.
1	9003029	Wheel Lock - Newton Grade Aid, Push to Lock, Extended Rail, Right	1
2	9003030	Wheel Lock - Newton Grade Aid, Push to Lock, Extended Rail, Left	1
3	9003031	Wheel Lock - Newton Grade Aid, Push to Lock, Extended Rail, & in Removable Extension Handle, Right	1
4	9003032	Wheel Lock - Newton Grade Aid, Push to Lock, Extended Rail, & in Removable Extension Handle, Left	1



MAKE SURE TO HAVE YOUR SERIAL NUMBER  
 NEARBY WHEN ORDERING PARTS FOR YOUR  
 MOTION COMPOSITES WHEELCHAIR

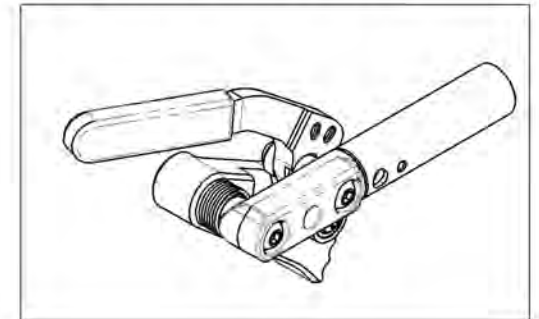
**9003029\_9003030**

**Wheel Lock - Newton Grade Aid, Push to Lock, Extended Rail**

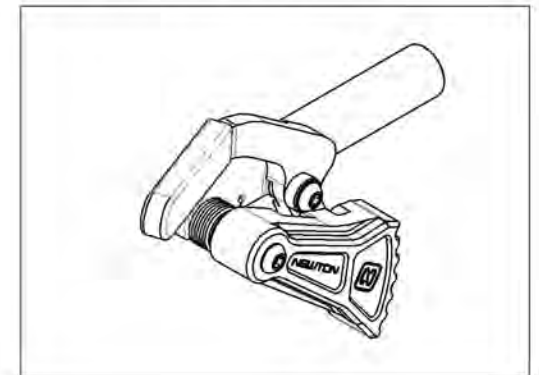


ITEM NO.	PART NO.	DESCRIPTION	9003029 /QTY.	9003030 /QTY.	REPLACEMENT PARTS/QTY.
1	41514	NEWTON GRADE AID WHEEL LOCK WITH EXTENDED RAIL, RIGHT - ASSEMBLY	1	-	-
2	41515	NEWTON GRADE AID WHEEL LOCK WITH EXTENDED RAIL, LEFT - ASSEMBLY	-	1	-
3	41075	EXTENDED WHEEL LOCK RAIL_GRADE AID	-	-	1

9003029  
Wheel Lock - Newton Grade Aid,  
Push to Lock, Extended Rail, Right



9003030  
Wheel Lock - Newton Grade Aid,  
Push to Lock, Extended Rail, Left

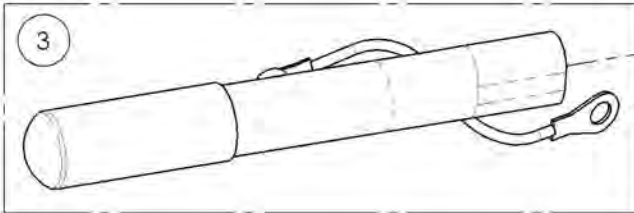
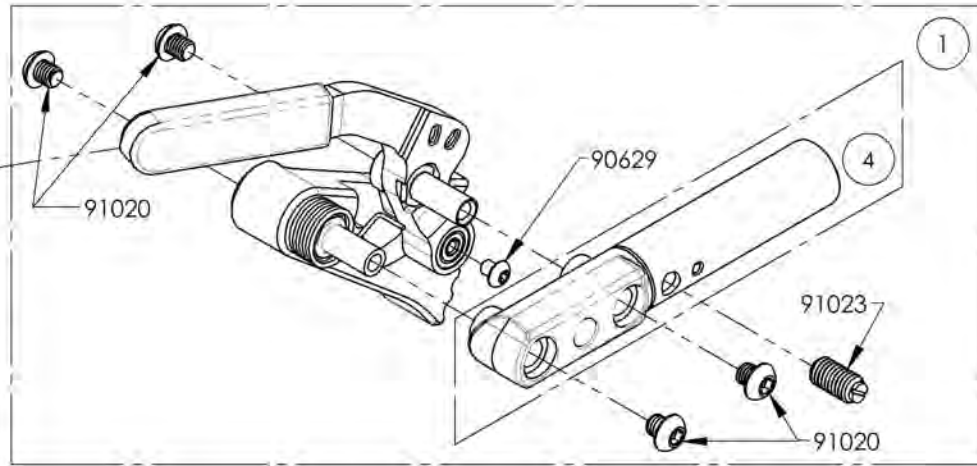


MAKE SURE TO HAVE YOUR SERIAL NUMBER NEARBY WHEN ORDERING PARTS FOR YOUR MOTION COMPOSITES WHEELCHAIR

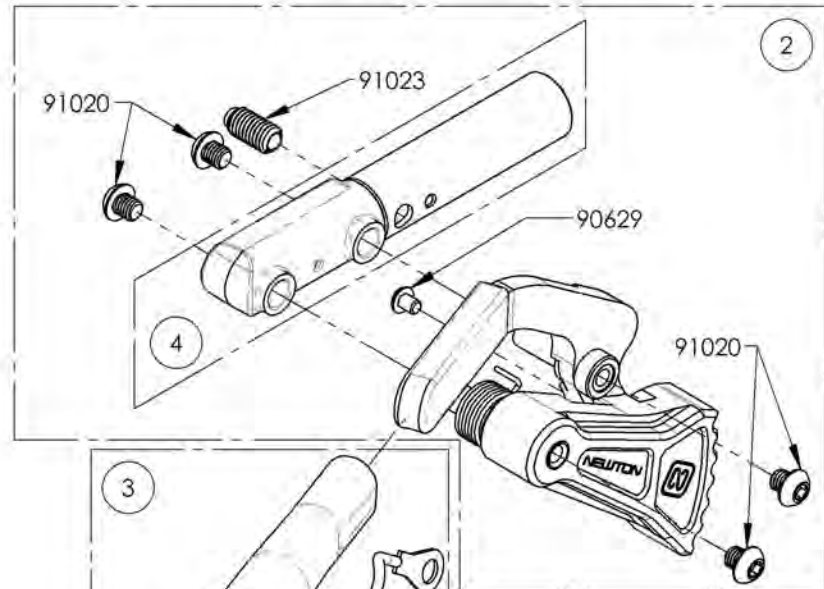
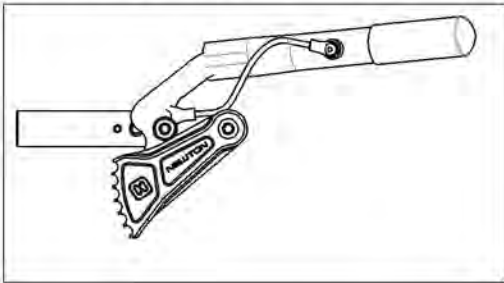
**9003031\_9003032**

**Wheel Lock - Newton Grade Aid, Push to Lock, Extended Rail, 6 in Removable Extension Handle, Right**

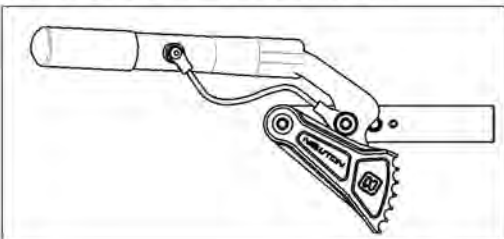
ITEM NO.	PARTNO	DESCRIPTION	9003031 /QTY.	9003032 /QTY.	REPLACEMENT PARTS/QTY.
1	41514	NEWTON GRADE AID WHEEL LOCK WITH EXTENDED RAIL, RIGHT - ASSEMBLY	1	-	-
2	41515	NEWTON GRADE AID WHEEL LOCK WITH EXTENDED RAIL, LEFT - ASSEMBLY	-	1	-
3	41005	REMOVABLE EXTENSION HANDLE	1	1	-
4	41075	EXTENDED WHEEL LOCK RAIL_GRADE AID	-	-	1



9003031  
Wheel Lock - Newton Grade Aid,  
Push to Lock, Extended Rail, 6 in  
Removable Extension Handle, Right



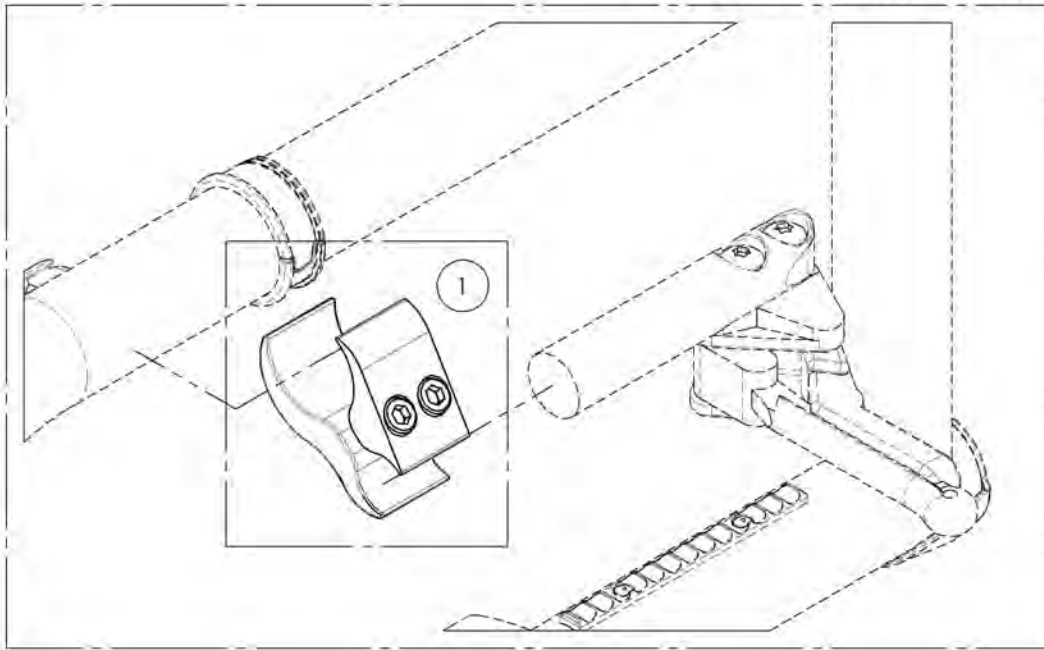
9003032  
Wheel Lock - Newton Grade Aid,  
Push to Lock, Extended Rail, 6 in  
Removable Extension Handle, Left



MAKE SURE TO HAVE YOUR SERIAL NUMBER NEARBY WHEN ORDERING PARTS FOR YOUR MOTION COMPOSITES WHEELCHAIR

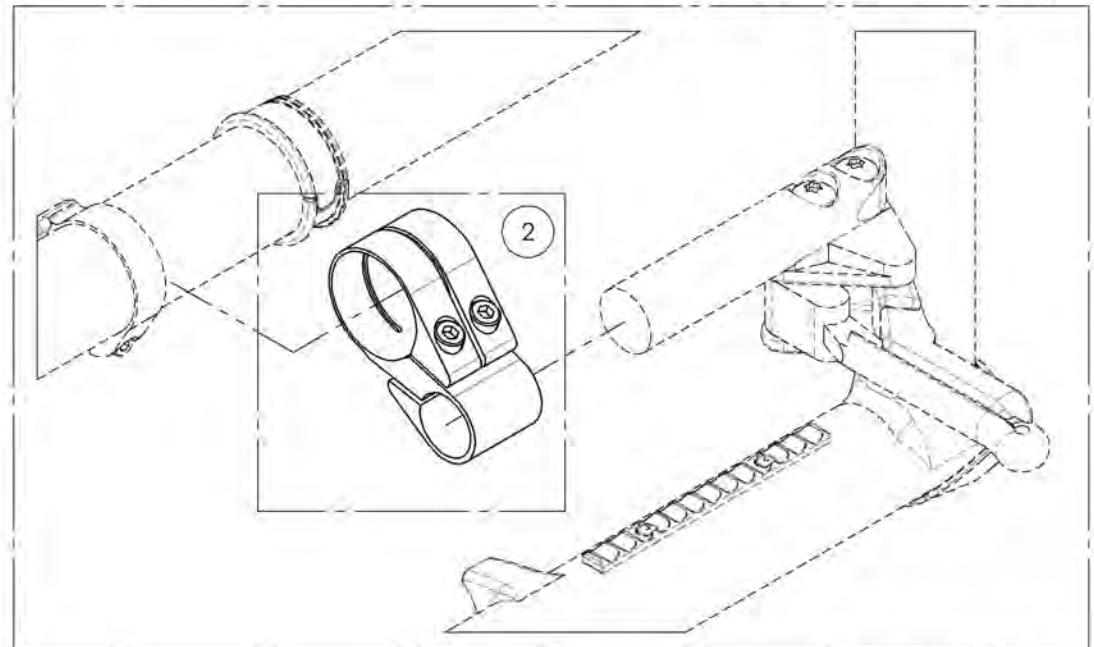
**Wheel Locks Catalogue**  
**Wheel Lock - Clamps**

**FOR ALUMINUM FRAME**



ITEM NO.	PARTNO	DESCRIPTION	QTY.
1	9001211	Wheel lock - Two Part Clamp	1
2	9001212	Wheel lock - Ultralight One Part Clamp	1

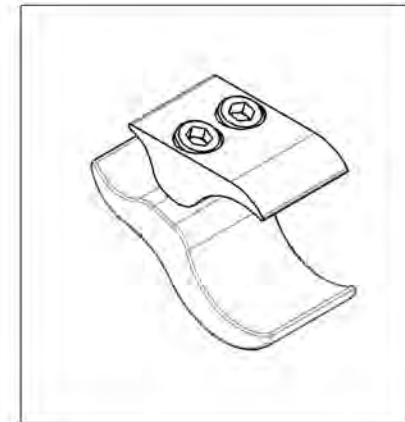
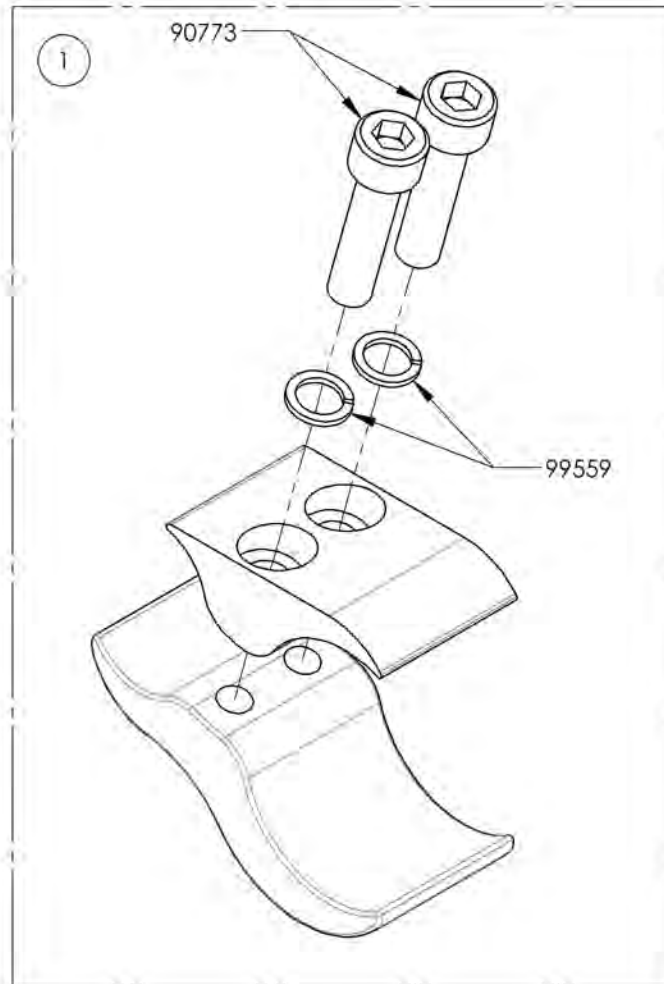
**FOR CARBON FRAME**



MAKE SURE TO HAVE YOUR SERIAL NUMBER  
NEARBY WHEN ORDERING PARTS FOR YOUR  
MOTION COMPOSITES WHEELCHAIR

**9001211  
Wheel lock - Two Part Clamp**

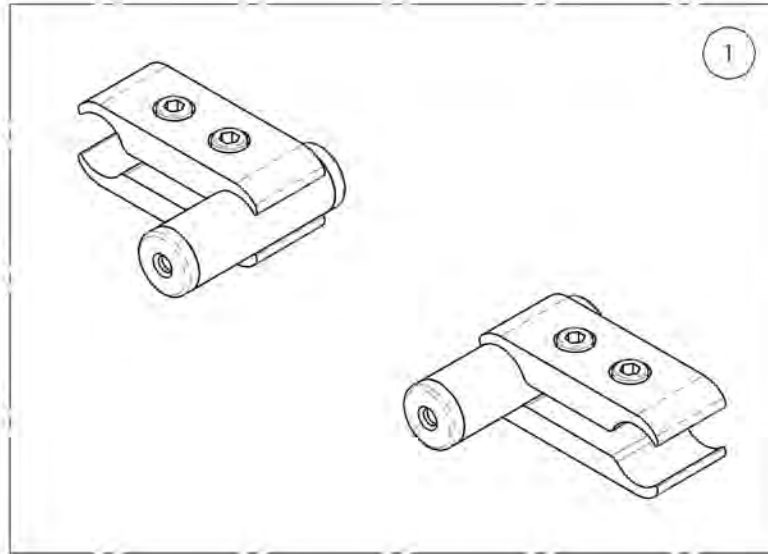
ITEM NO.	PARTNO	DESCRIPTION	9001211 /QTY.
1	41501	BRAKE CLAMP	1



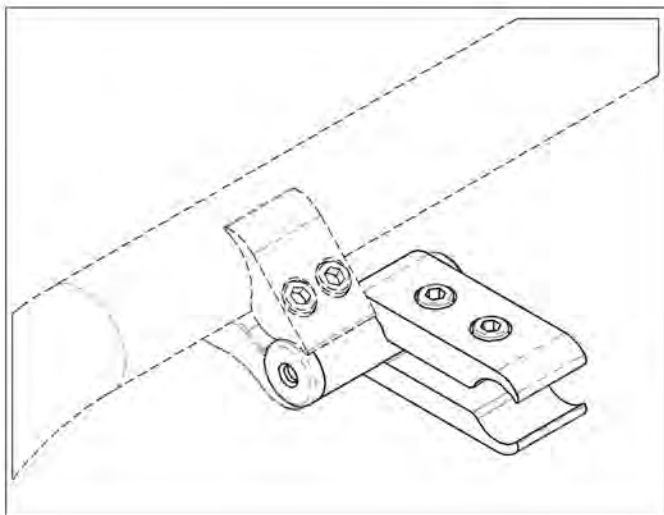
MAKE SURE TO HAVE YOUR SERIAL NUMBER  
NEARBY WHEN ORDERING PARTS FOR YOUR  
MOTION COMPOSITES WHEELCHAIR

**Wheel Locks Catalogue**  
**Unilateral Wheel Lock Adaptor Kit**

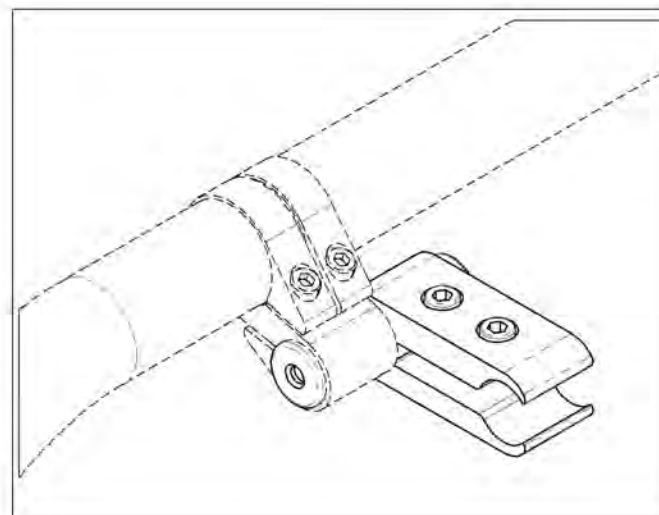
ITEM NO.	PARTNO	DESCRIPTION	QTY
1	9002850	Unilateral Wheel Lock Adaptor Kit	1



**SEE #9001211 FOR ALUMINUM FRAME CLAMP**



**SEE #9001212 FOR CARBON FIBER FRAME CLAMP**

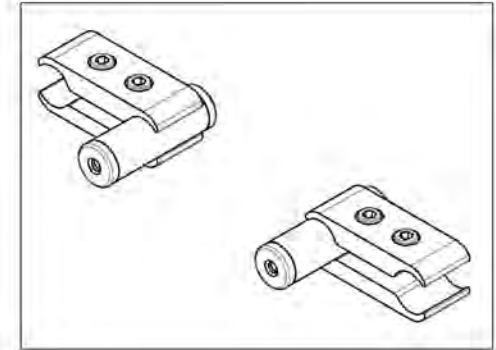
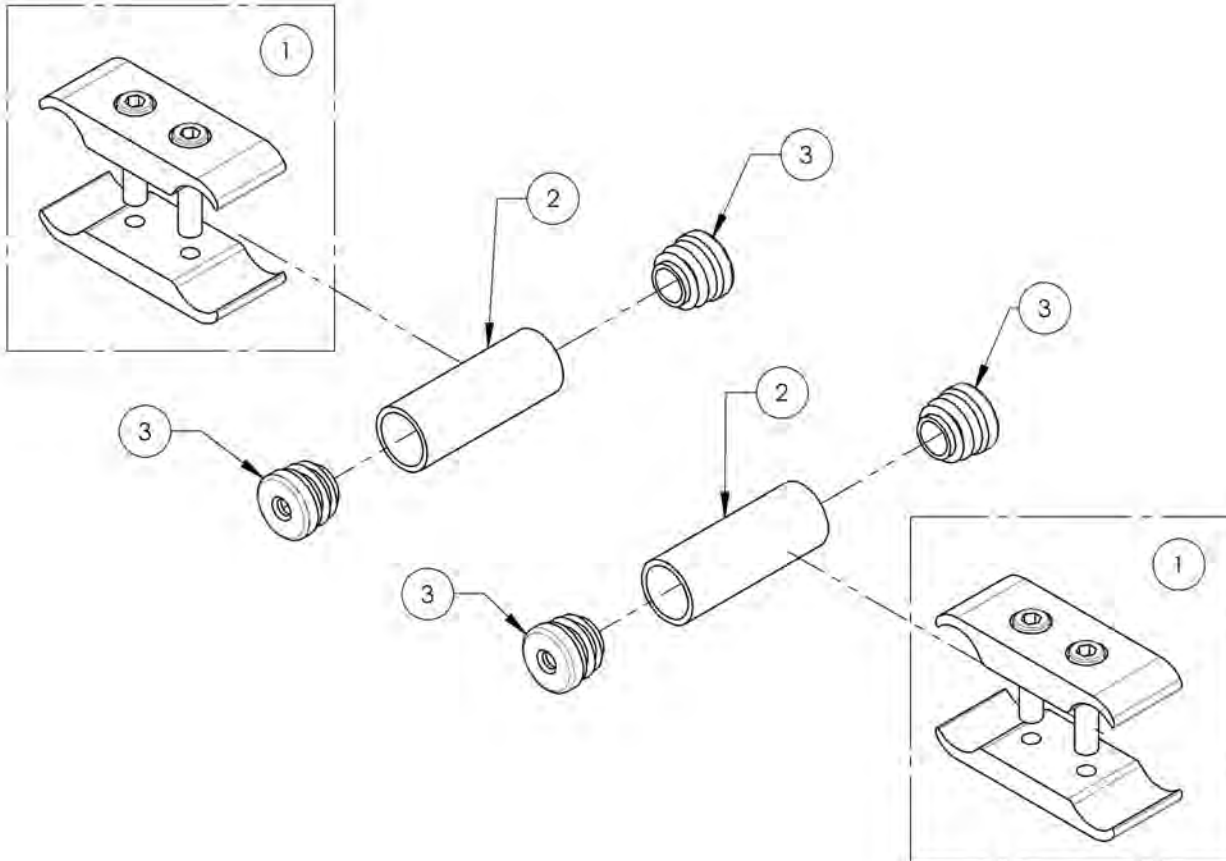


MAKE SURE TO HAVE YOUR SERIAL NUMBER  
NEARBY WHEN ORDERING PARTS FOR YOUR  
MOTION COMPOSITES WHEELCHAIR



**9002850**  
**Unilateral Wheel Lock Adaptor Kit**

ITEM NO.	PARTNO	DESCRIPTION	QTY.
1	41502	0.75-0.75in CLAMP - ASSEMBLY	2
2	41009	3/4 TUBE SPACER - 2 in	2
3	99701	PLASTIC PLUGS	4

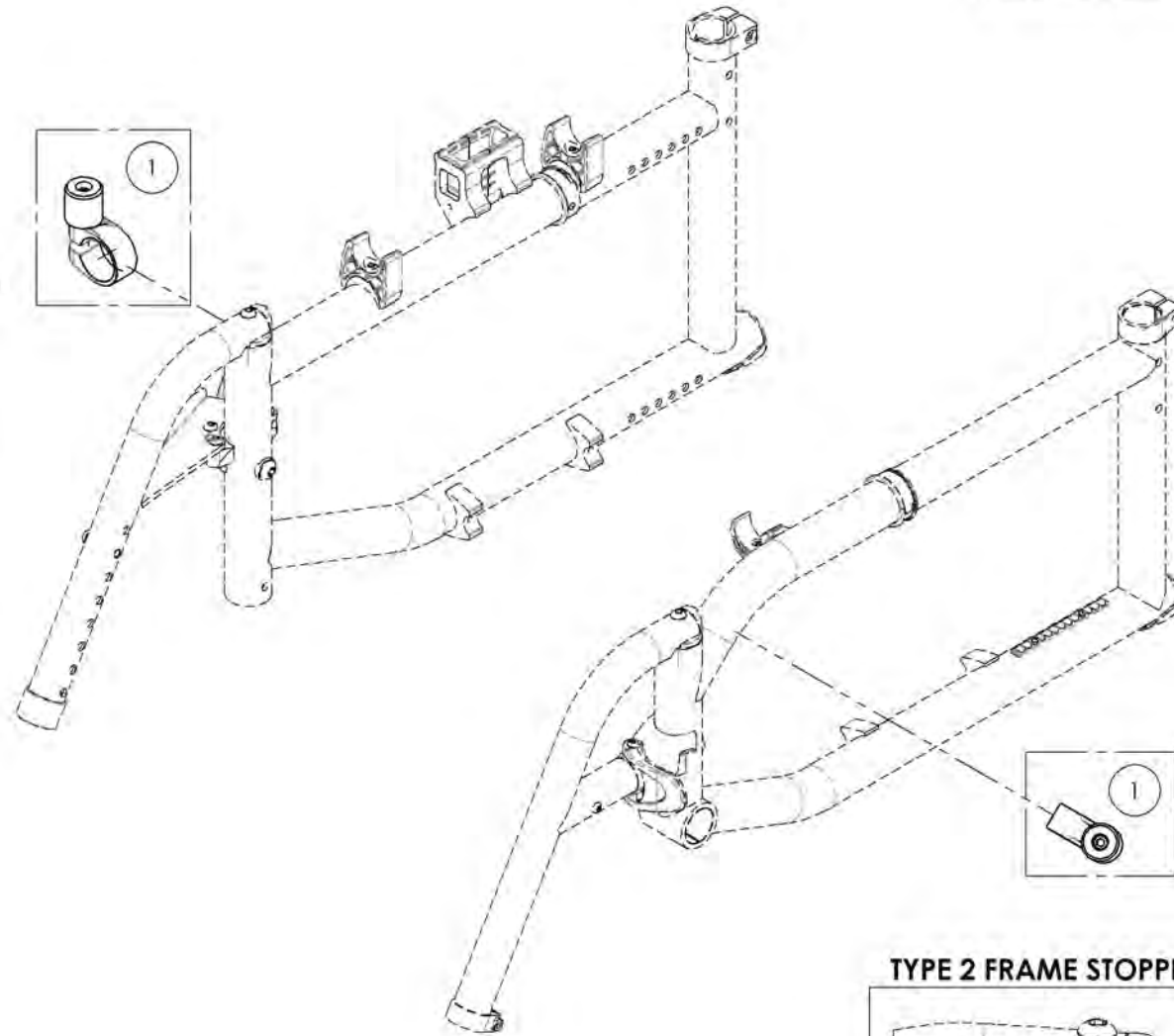
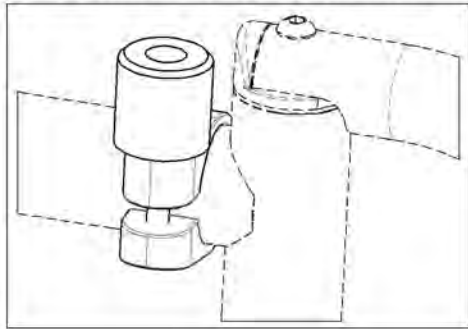


MAKE SURE TO HAVE YOUR SERIAL NUMBER  
 NEARBY WHEN ORDERING PARTS FOR YOUR  
 MOTION COMPOSITES WHEELCHAIR

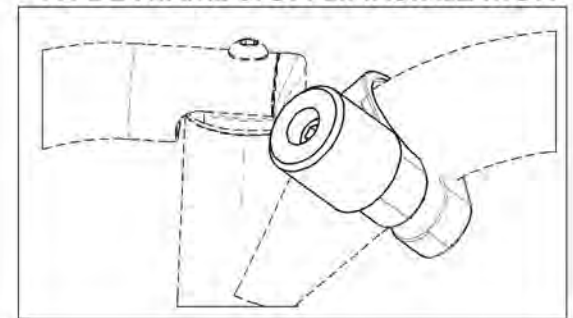
**Wheel Locks Catalogue  
Footrest Stopper**

ITEM NO.	PARTNO	DESCRIPTION	QTY
1	9003048	Wheel Lock - Footrest Stopper	2

**TYPE 1 FRAME STOPPER INSTALLATION**



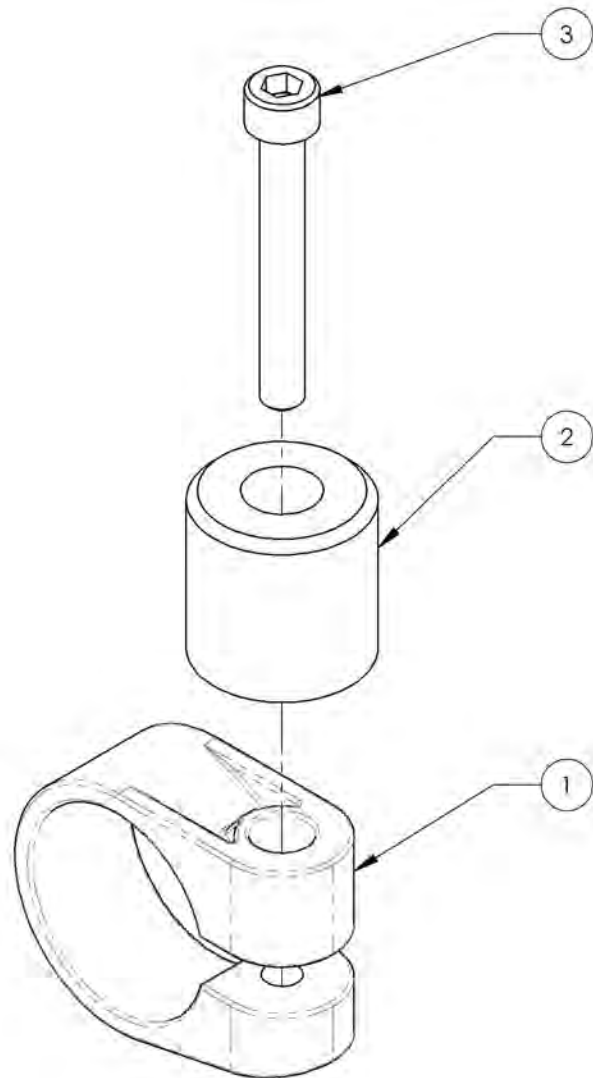
**TYPE 2 FRAME STOPPER INSTALLATION**



MAKE SURE TO HAVE YOUR SERIAL NUMBER  
NEARBY WHEN ORDERING PARTS FOR YOUR  
MOTION COMPOSITES WHEELCHAIR

**9003048**  
**Wheel Lock - Footrest Stopper**

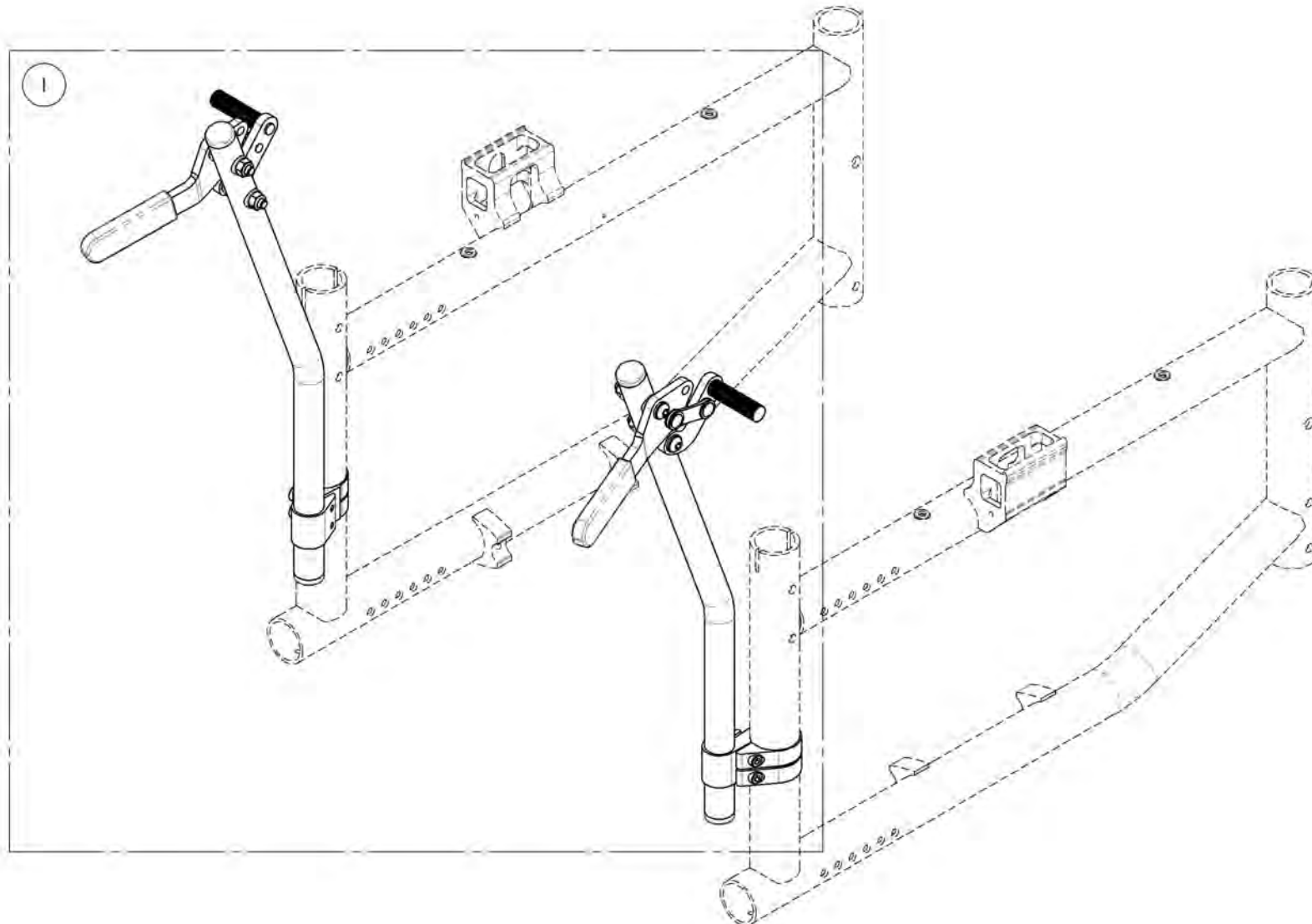
ITEM NO.	PARTNO	DESCRIPTION	9003048 /QTY.
1	60201	FRAME SAVER	1
2	41120	WHEEL LOCK STOPPER	1
3	90777	SOCKET CAP SCREW M6X1 X 45mm LONG, 24mm THREADED + BLUE TREADLOCKER - BLACK ZINC	1



MAKE SURE TO HAVE YOUR SERIAL NUMBER  
NEARBY WHEN ORDERING PARTS FOR YOUR  
MOTION COMPOSITES WHEELCHAIR

**Wheel Locks Catalogue**  
**Attendant Wheel Lock, Kit**

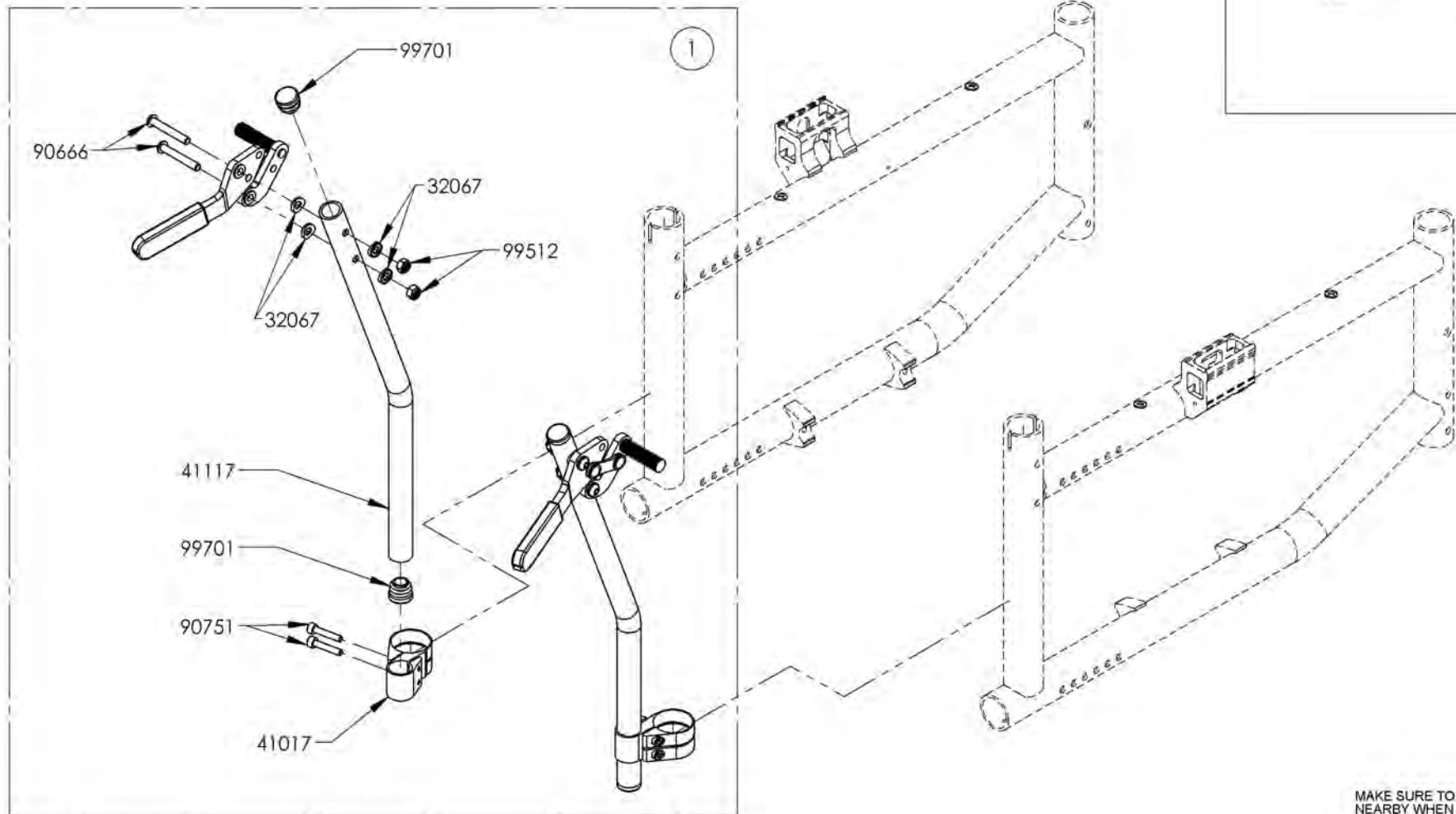
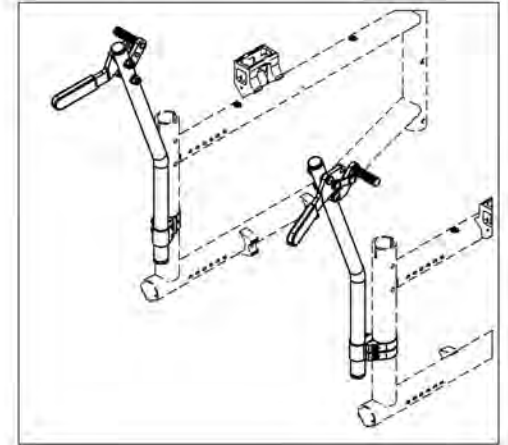
ITEM NO.	PARTNO	DESCRIPTION	QTY
1	9001574	Attendant Wheel Lock, Kit	1



MAKE SURE TO HAVE YOUR SERIAL NUMBER  
NEARBY WHEN ORDERING PARTS FOR YOUR  
MOTION COMPOSITES WHEELCHAIR

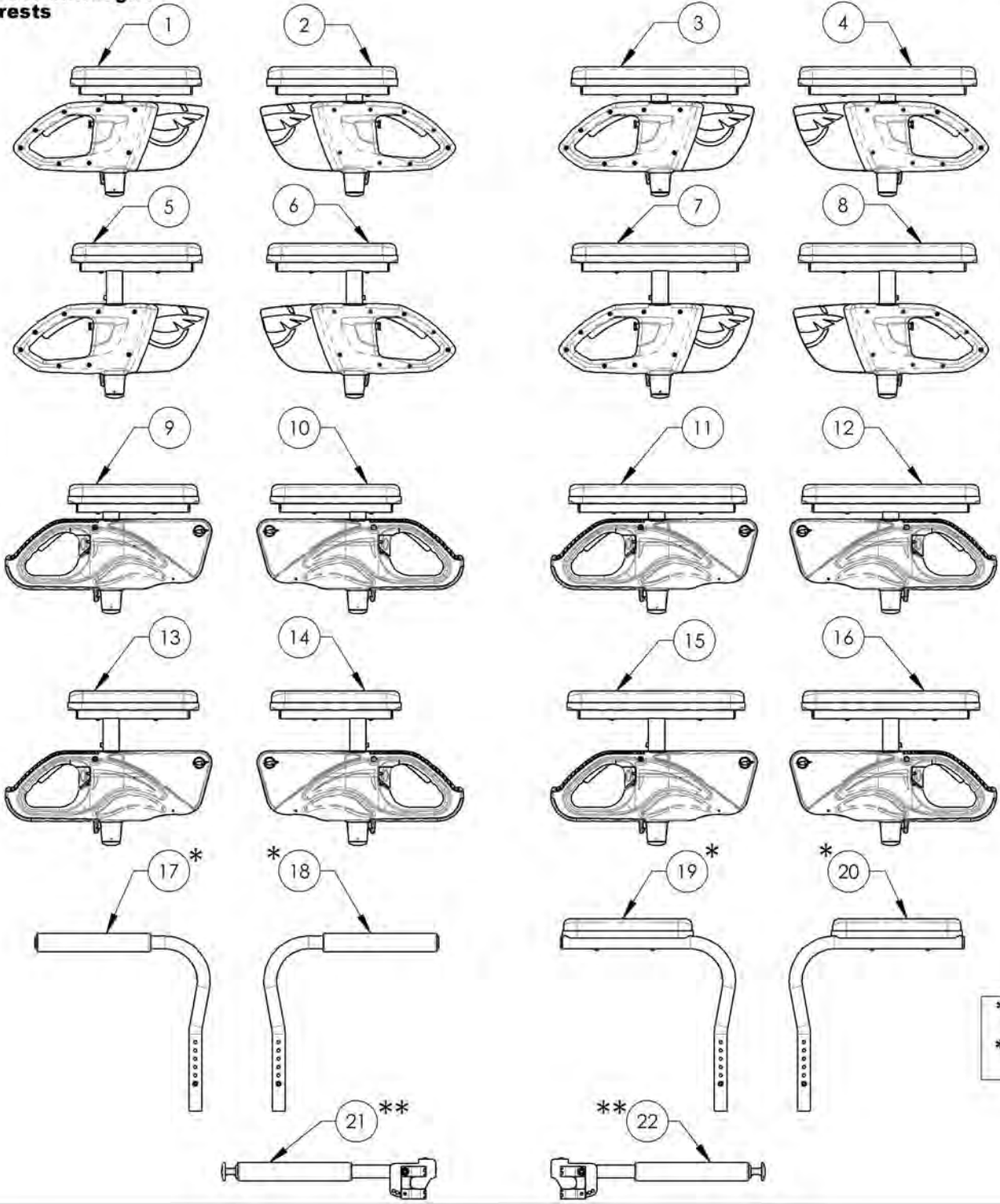
**9001574  
Attendant Wheel Lock, Kit**

ITEM NO.	PARTNO	DESCRIPTION	9001574 /QTY.
1	41711	ATTENDANT WHEEL LOCK - ASSY (PAIR)	1



MAKE SURE TO HAVE YOUR SERIAL NUMBER NEARBY WHEN ORDERING PARTS FOR YOUR MOTION COMPOSITES WHEELCHAIR

# Armrest Catalogue Armrests



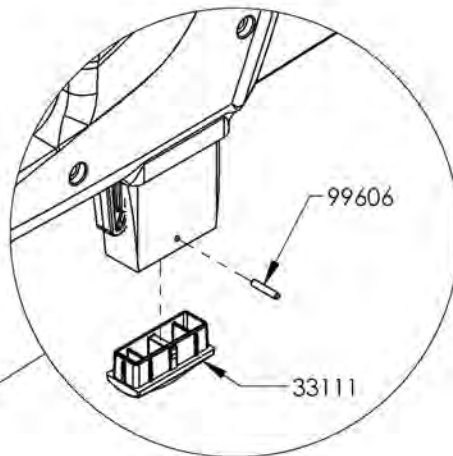
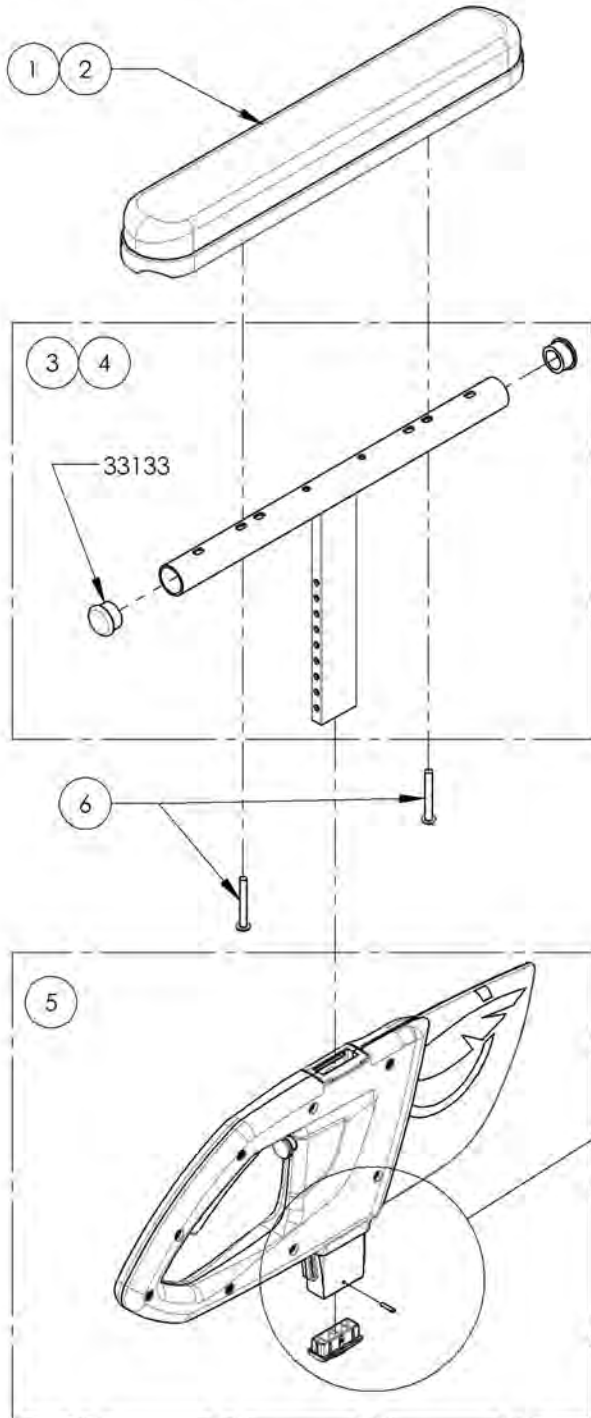
ITEM NO.	PARTNO	DESCRIPTION	QTY
1	9003551	Armrest - Flip Back & T Type Right, 8-12 in, Desk Length	1
2	9003555	Armrest - T Type, Left, 8-12 in, Desk Length	1
3	9003552	Armrest - Flip Back & T Type Right, 8-12 in, Full Length	1
4	9003556	Armrest - T Type, Left, 8-12 in, Full Length	1
5	9003553	Armrest - T Type, Right, 10-14 in, Desk Length	1
6	9003557	Armrest - T Type, Left, 10-14 in, Desk Length	1
7	9003554	Armrest - T Type, Right, 10-14 in, Full Length	1
8	9003558	Armrest - T Type, Left, 10-14 in, Full Length	1
9	9001299	Armrest - Flip Back & T Type Right, 8-12 in, Desk Length	1
10	9001303	Armrest - Flip Back & T Type Left, 8-12 in, Desk Length	1
11	9001300	Armrest - Flip Back & T Type Right, 8-12 in, Full Length	1
12	9001304	Armrest - Flip Back & T Type Left, 8-12 in, Full Length	1
13	9001301	Armrest - Flip Back & T Type Right, 10-14 in, Desk Length	1
14	9001305	Armrest - Flip Back & T Type Left, 10-14 in, Desk Length	1
15	9001302	Armrest - Flip Back & T Type Right, 10-14 in, Full Length	1
16	9001306	Armrest - Flip Back & T Type Left, 10-14 in, Full Length	1
17 *	9001308	Armrest - Swing Away, Right, Tubular	1
18 *	9001309	Armrest - Swing Away, Left, Tubular	1
19 *	9001310	Armrest - Swing Away, Right, Desk Length	1
20 *	9001311	Armrest - Swing Away, Left, Desk Length	1
21 **	9001316	Locking Armrest - Flip Up, Right	1
22 **	9001317	Locking Armrest - Flip Up, Left	1

\*:NOT AVAILABLE FOR DEPTH ADJUSTABLE BACK CANES  
 \*\*:ONLY USE WITH ALUMINIUM BACK CANES (175lbs MAX)

MAKE SURE TO HAVE YOUR SERIAL NUMBER  
 NEARBY WHEN ORDERING PARTS FOR YOUR  
 MOTION COMPOSITES WHEELCHAIR



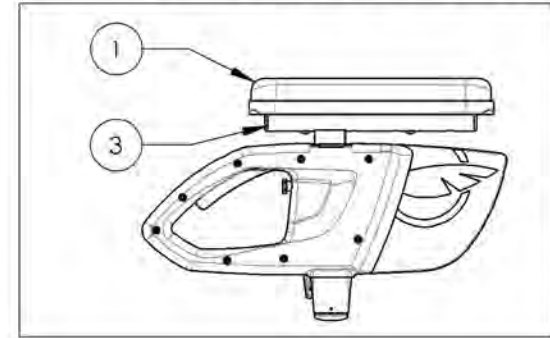
**9003551\_9003552**  
**Armrest - T Type, Right, 8-12 in**



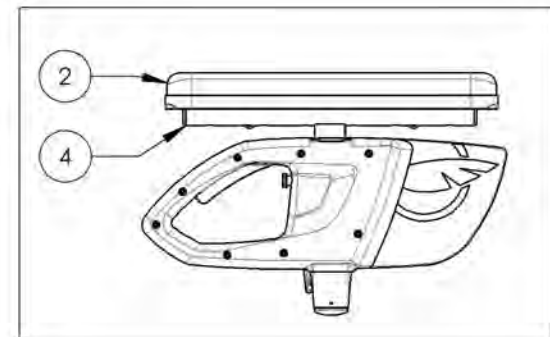
DETAIL B  
 SCALE 2 : 5

ITEM NO.	PARTNO	DESCRIPTION	9003551 /QTY.	9003552 /QTY.
1	33038	ARMREST DESK PAD	1	-
2	33039	ARMREST FULL LENGTH PAD	-	1
3	33579	V2 ARMREST STRUCTURE 8-12" FOR DESK LENGTH - ASSEMBLY	1	-
4	33559	V2 ARMREST STRUCTURE 8-12" FOR FULL LENGTH - ASSEMBLY	-	1
5	33596	V2T ARMREST - ASSEMBLY	1	1
6	99013	SCREW PHILLIPS PAN HD #10_32 X 1_1_2 + BLUE THREADLOCKER	2	2

9003551  
 Armrest - Flip Back & T Type Right, 8-12 in, Desk Length

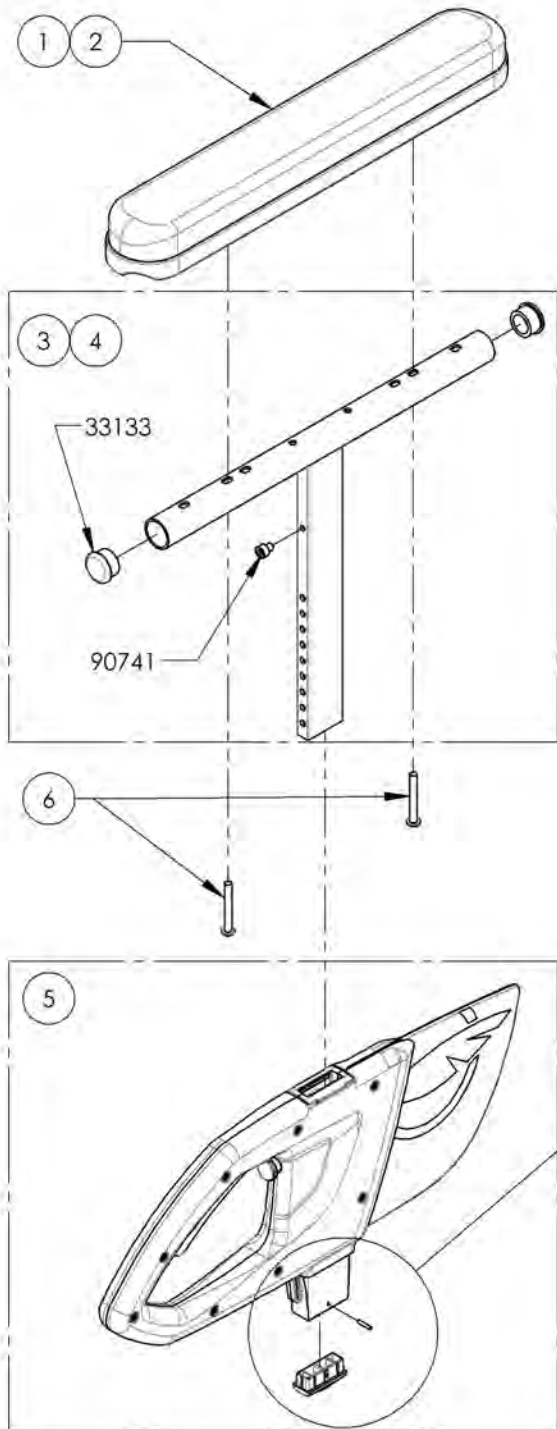


9003552  
 Armrest - Flip Back & T Type Right, 8-12 in, Full Length



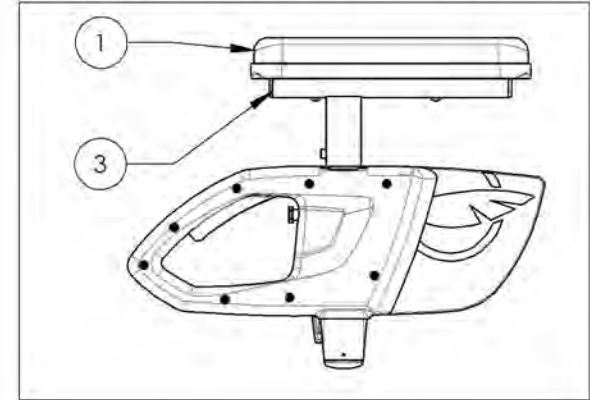
MAKE SURE TO HAVE YOUR SERIAL NUMBER  
 NEARBY WHEN ORDERING PARTS FOR YOUR  
 MOTION COMPOSITES WHEELCHAIR

**9003553\_9003554**  
**Armrest - T Type, Right, 10-14 in**

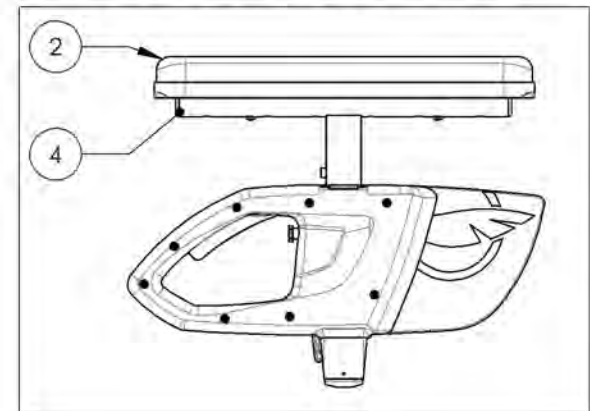


ITEM NO.	PART NO.	DESCRIPTION	9003553 /QTY.	9003554 /QTY.
1	33038	ARMREST DESK PAD	1	-
2	33039	ARMREST FULL LENGTH PAD	-	1
3	33580	V2 ARMREST STRUCTURE 10-14" FOR DESK LENGTH - ASSEMBLY	1	-
4	33560	V2 ARMREST STRUCTURE 10-14" FOR FULL LENGTH - ASSEMBLY	-	1
5	33596	V2T ARMREST - ASSEMBLY	1	1
6	99013	SCREW PHILLIPS PAN HD #10_32 X 1_1_2 + BLUE THREADLOCKER	2	2

**9003553**  
**Armrest - T Type, Right, 10-14 in, Desk Length**

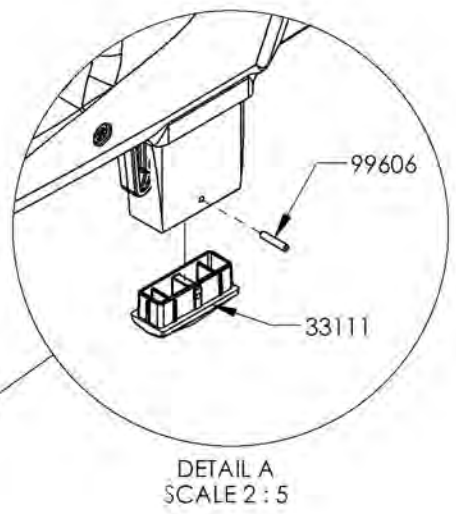
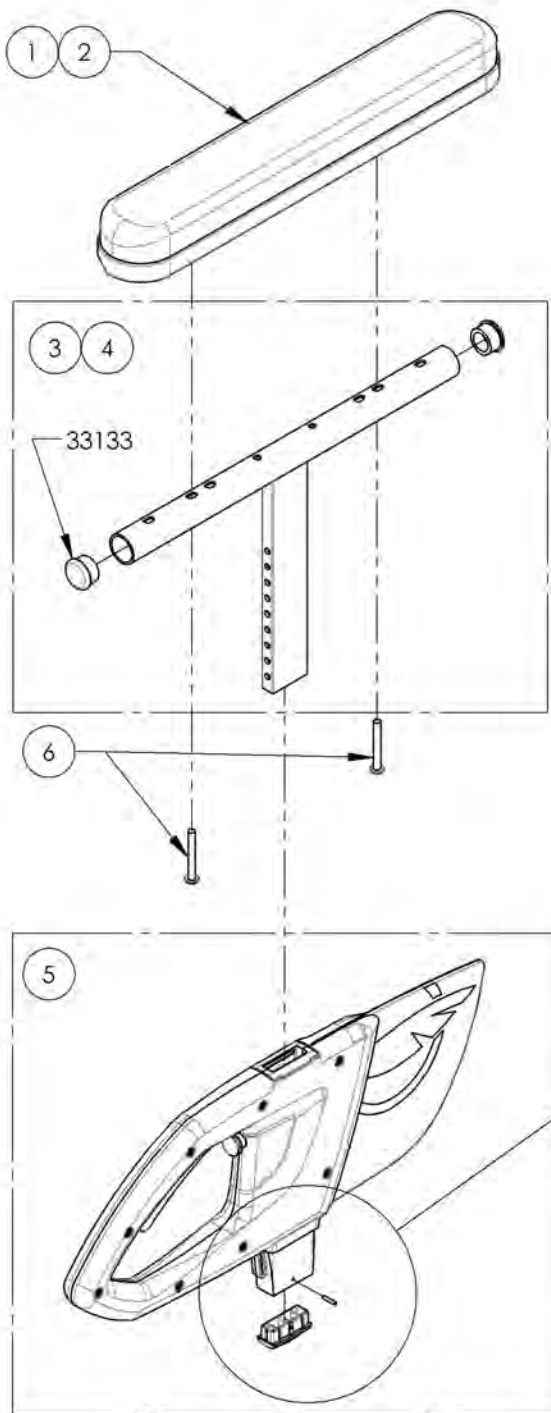


**9003554**  
**Armrest - T Type, Right, 10-14 in, Full Length**



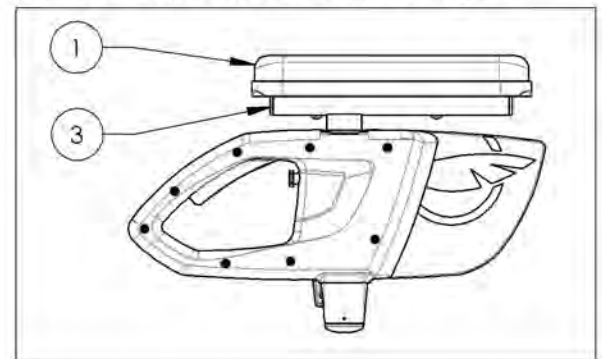
MAKE SURE TO HAVE YOUR SERIAL NUMBER NEARBY WHEN ORDERING PARTS FOR YOUR MOTION COMPOSITES WHEELCHAIR

**9003555\_9003556**  
**Armrest - T Type, Left, 8-12 in**

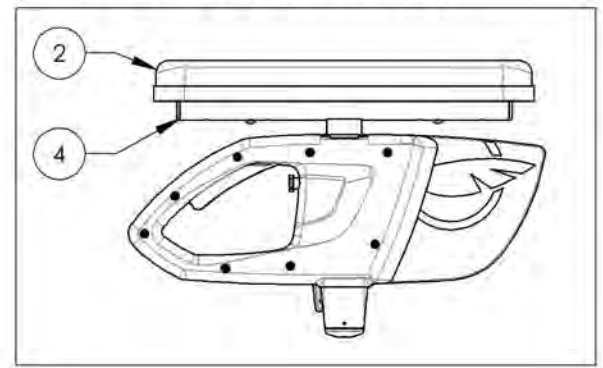


ITEM NO.	PARTNO	DESCRIPTION	9003555 /QTY.	9003556 /QTY.
1	33038	ARMREST DESK PAD	1	-
2	33039	ARMREST FULL LENGTH PAD	-	1
3	33579	V2 ARMREST STRUCTURE 8-12" FOR DESK LENGTH - ASSEMBLY	1	-
4	33559	V2 ARMREST STRUCTURE 8-12" FOR FULL LENGTH - ASSEMBLY	-	1
5	33596	V2T ARMREST - ASSEMBLY	1	1
6	99013	SCREW PHILLIPS PAN HD #10_32 X 1_1_2 + BLUE THREADLOCKER	2	2

9003555  
 Armrest - T Type, Left, 8-12 in, Desk Length

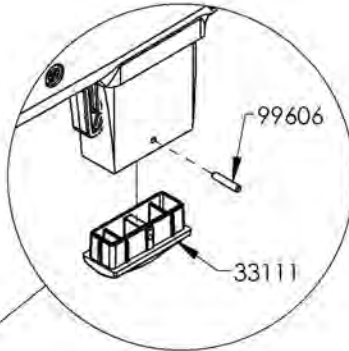
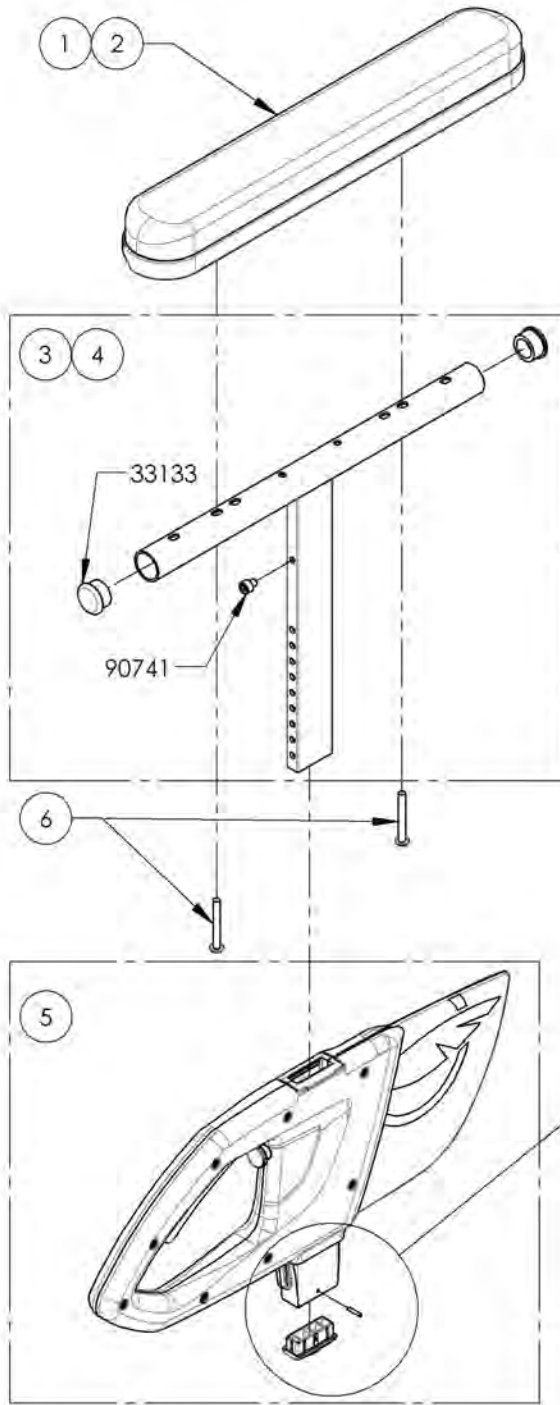


9003556  
 Armrest - T Type, Left, 8-12 in, Full Length



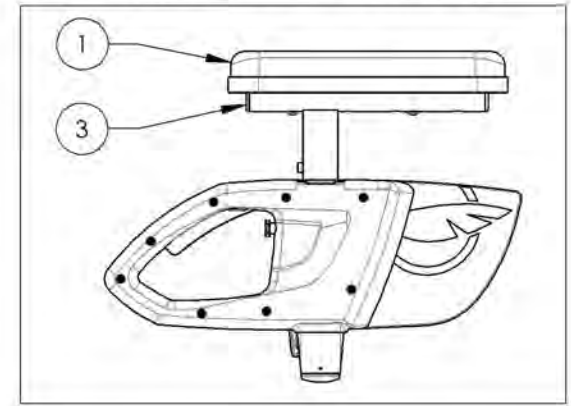
MAKE SURE TO HAVE YOUR SERIAL NUMBER NEARBY WHEN ORDERING PARTS FOR YOUR MOTION COMPOSITES WHEELCHAIR

**9003557\_9003558**  
**Armrest - T Type, Left, 10-14 in**

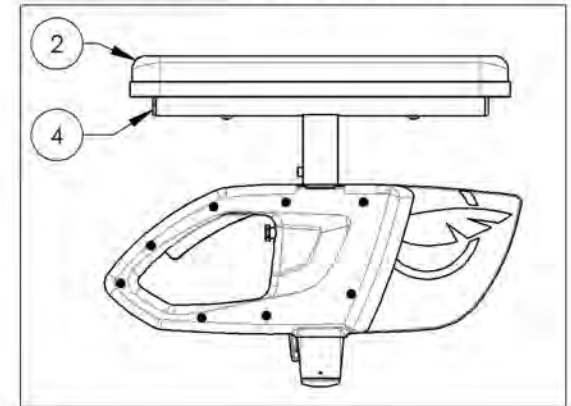


ITEM NO.	PART NO.	DESCRIPTION	9003557 /QTY.	9003558 /QTY.
1	33038	ARMREST DESK PAD	1	-
2	33039	ARMREST FULL LENGTH PAD	-	1
3	33580	V2 ARMREST STRUCTURE 10-14" FOR DESK LENGTH - ASSEMBLY	1	-
4	33560	V2 ARMREST STRUCTURE 10-14" FOR FULL LENGTH - ASSEMBLY	-	1
5	33596	V2T ARMREST - ASSEMBLY	1	1
6	99013	SCREW PHILLIPS PAN HD #10_32 X 1_1_2 + BLUE THREADLOCKER	2	2

9003557  
 Armrest - T Type, Left, 10-14 in, Desk Length

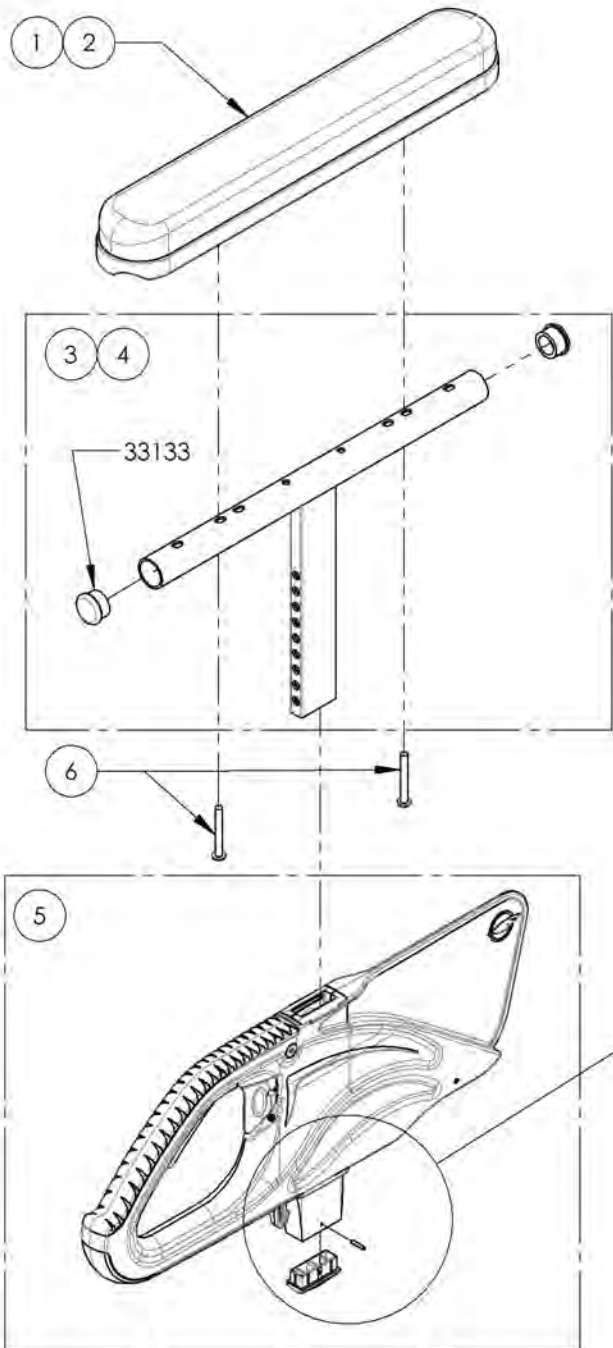


9003558  
 Armrest - T Type, Left, 10-14 in, Full Length



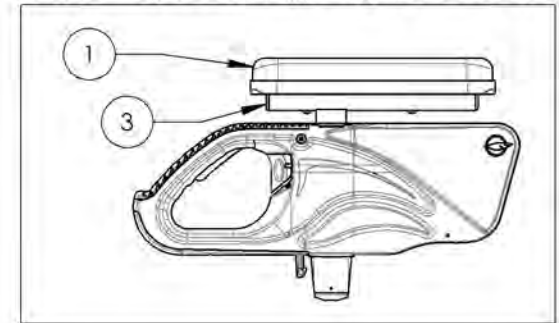
MAKE SURE TO HAVE YOUR SERIAL NUMBER NEARBY WHEN ORDERING PARTS FOR YOUR MOTION COMPOSITES WHEELCHAIR

**9001299\_9001300**  
**Armrest - Flip Back & T Type Right, 8-12 in**

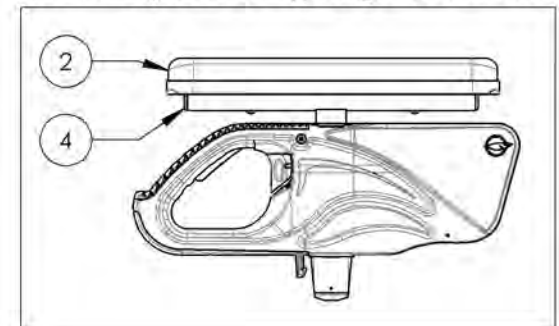


ITEM NO.	PARTNO	DESCRIPTION	9001299 /QTY.	9001300 /QTY.
1	33038	ARMREST DESK PAD	1	-
2	33039	ARMREST FULL LENGTH PAD	-	1
3	33579	V2 ARMREST STRUCTURE 8-12" FOR DESK LENGTH - ASSEMBLY	1	-
4	33559	V2 ARMREST STRUCTURE 8-12" FOR FULL LENGTH - ASSEMBLY	-	1
5	33554	V2 ARMREST - MAIN BODY	1	1
6	99013	SCREW PHILLIPS PAN HD #10_32 X 1_1_2 + BLUETHREADLOCKER	2	2

9001299  
 Armrest - Flip Back & T Type Right, 8-12 in, Desk Length

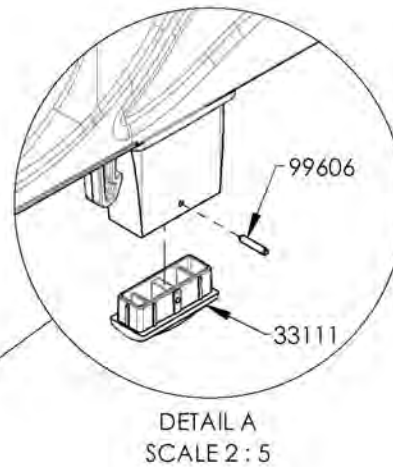
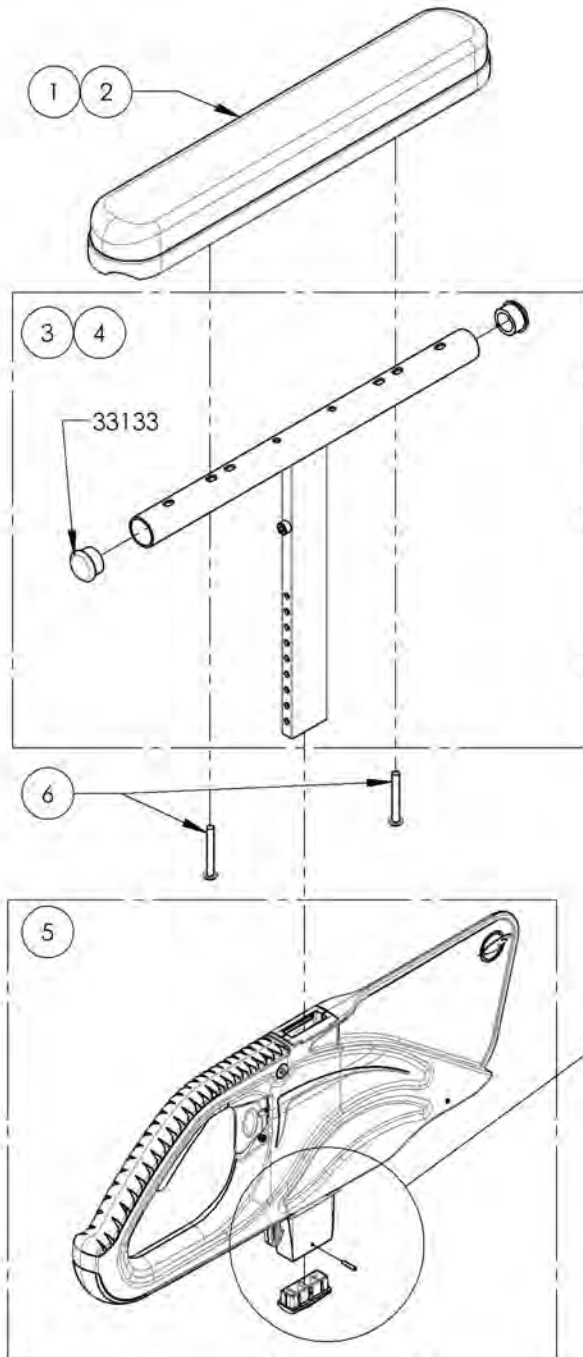


9001300  
 Armrest - Flip Back & T Type Right, 8-12 in, Full Length



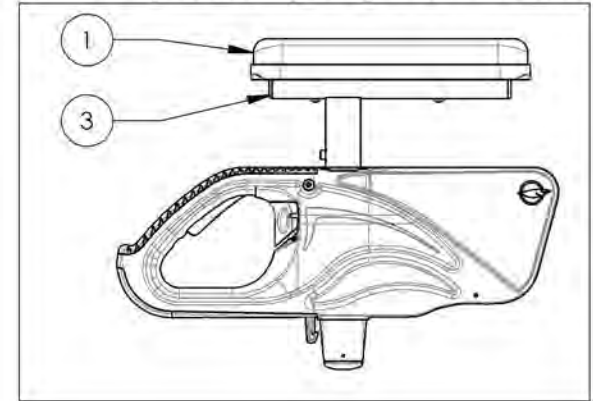
MAKE SURE TO HAVE YOUR SERIAL NUMBER  
 NEARBY WHEN ORDERING PARTS FOR YOUR  
 MOTION COMPOSITES WHEELCHAIR

**9001301\_9001302**  
**Armrest - Flip Back & T Type Right, 10-14 in**

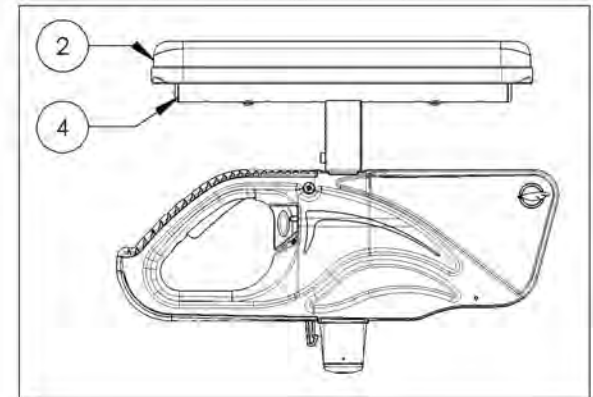


ITEM NO.	PART NO.	DESCRIPTION	9001301 /QTY.	9001302 /QTY.
1	33038	ARMREST DESK PAD	1	-
2	33039	ARMREST FULL LENGTH PAD	-	1
3	33580	V2 ARMREST STRUCTURE 10-14" FOR DESK LENGTH - ASSEMBLY	1	-
4	33560	V2 ARMREST STRUCTURE 10-14" FOR FULL LENGTH - ASSEMBLY	-	1
5	33554	V2 ARMREST - MAIN BODY	1	1
6	99013	SCREW PHILLIPS PAN HD #10_32 X 1_1_2 + BLUE THREADLOCKER	2	2

**9001301**  
**Armrest - Flip Back & T Type Right, 10-14 in, Desk Length**



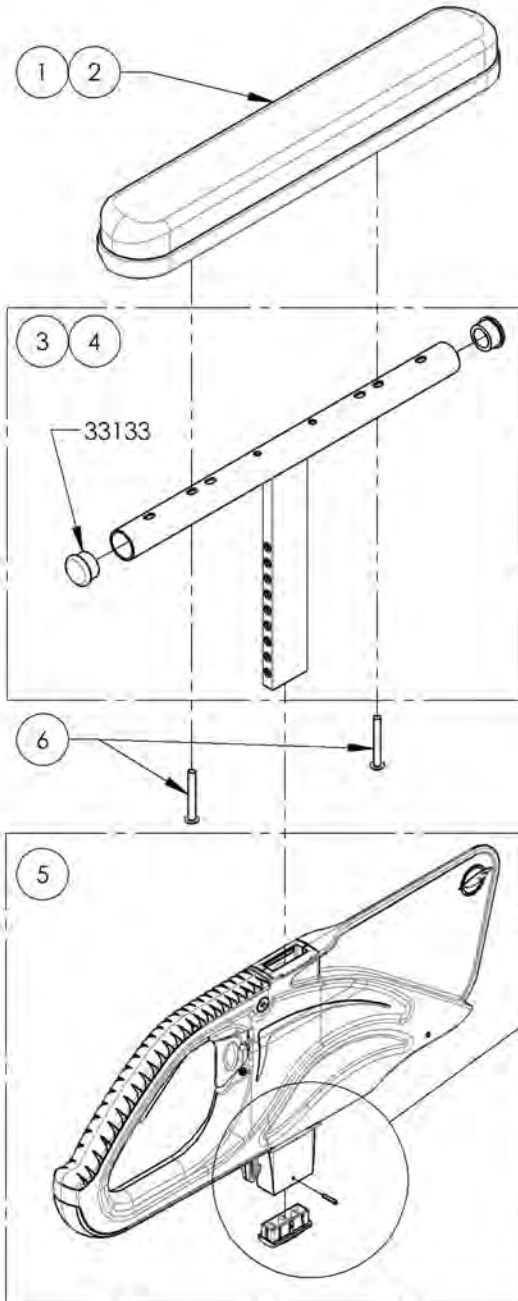
**9001302**  
**Armrest - Flip Back & T Type Right, 10-14 in, Full Length**



MAKE SURE TO HAVE YOUR SERIAL NUMBER NEARBY WHEN ORDERING PARTS FOR YOUR MOTION COMPOSITES WHEELCHAIR

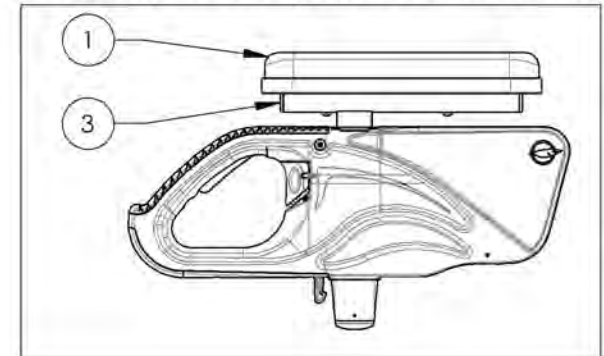


**9001303\_9001304**  
**Armrest - Flip Back & T Type Left, 8-12 in**

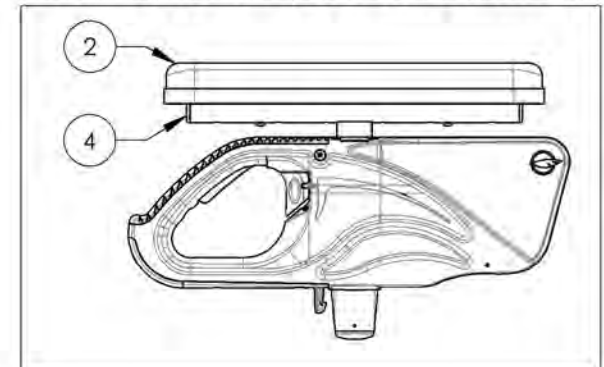


ITEM NO.	PARTNO	DESCRIPTION	9001303 /QTY.	9001304 /QTY.
1	33038	ARMREST DESK PAD	1	-
2	33039	ARMREST FULL LENGTH PAD	-	1
3	33579	V2 ARMREST STRUCTURE 8-12" FOR DESK LENGTH - ASSEMBLY	1	-
4	33559	V2 ARMREST STRUCTURE 8-12" FOR FULL LENGTH - ASSEMBLY	-	1
5	33554	V2 ARMREST - MAIN BODY	1	1
6	99013	SCREW PHILLIPS PAN HD #10_32 X 1_1_2 + BLUE THREADLOCKER	2	2

9001303  
 Armrest - Flip Back & T Type Left, 8-12 in, Desk Length



9001304  
 Armrest - Flip Back & T Type Left, 8-12 in, Full Length

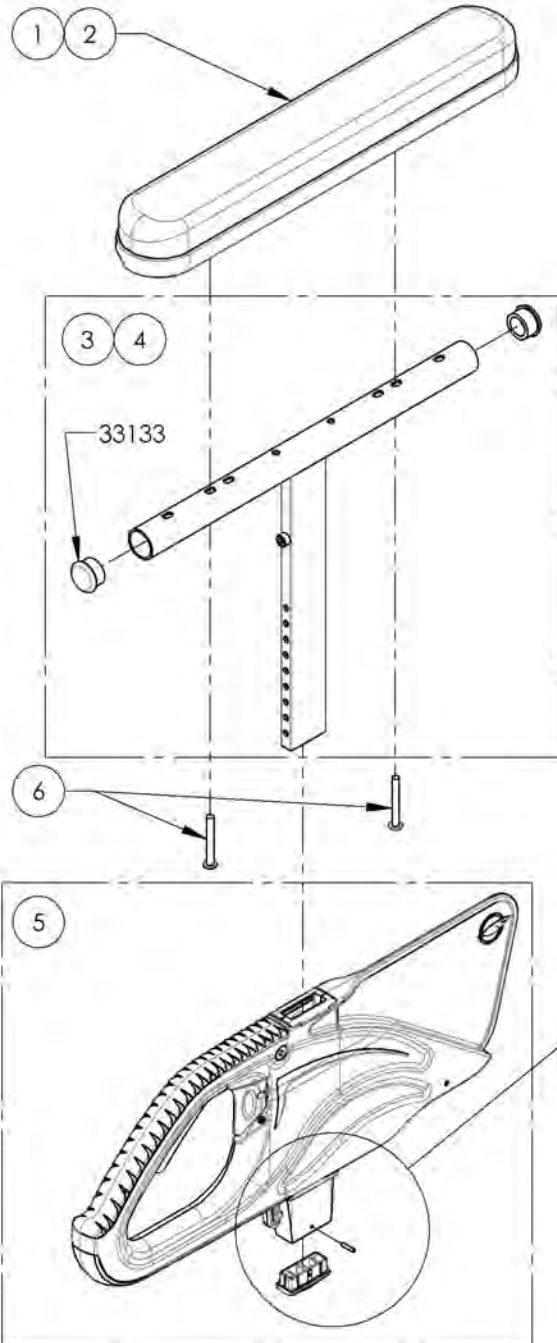


DETAIL A  
 SCALE 2 : 5

MAKE SURE TO HAVE YOUR SERIAL NUMBER  
 NEARBY WHEN ORDERING PARTS FOR YOUR  
 MOTION COMPOSITES WHEELCHAIR

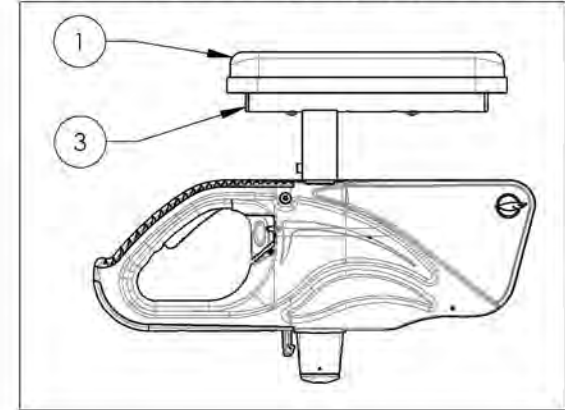


**9001305\_9001306**  
**Armrest - Flip Back & T Type Left, 10-14 in**

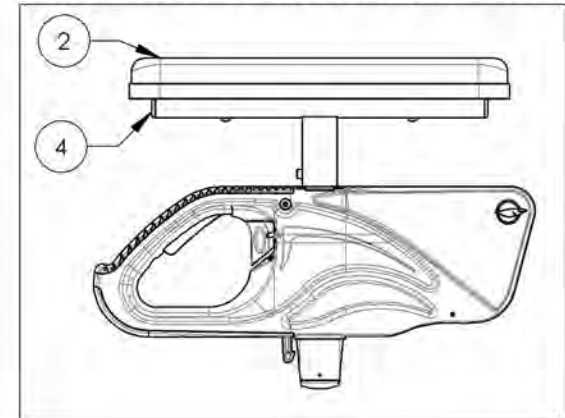


ITEM NO.	PART NO.	DESCRIPTION	9001305 /QTY.	9001306 /QTY.
1	33038	ARMREST DESK PAD	1	-
2	33039	ARMREST FULL LENGTH PAD	-	1
3	33580	V2 ARMREST STRUCTURE 10-14" FOR DESK LENGTH - ASSEMBLY	1	-
4	33560	V2 ARMREST STRUCTURE 10-14" FOR FULL LENGTH - ASSEMBLY	-	1
5	33554	V2 ARMREST - MAIN BODY	1	1
6	99013	SCREW PHILLIPS PAN HD #10_32 X 1_1_2 + BLUE THREADLOCKER	2	2

9001305  
 Armrest - Flip Back & T Type Left, 10-14 in, Desk Length



9001306  
 Armrest - Flip Back & T Type Left, 10-14 in, Full Length

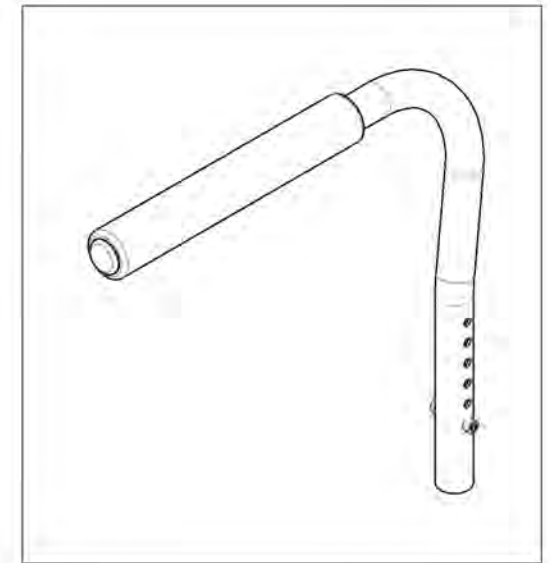
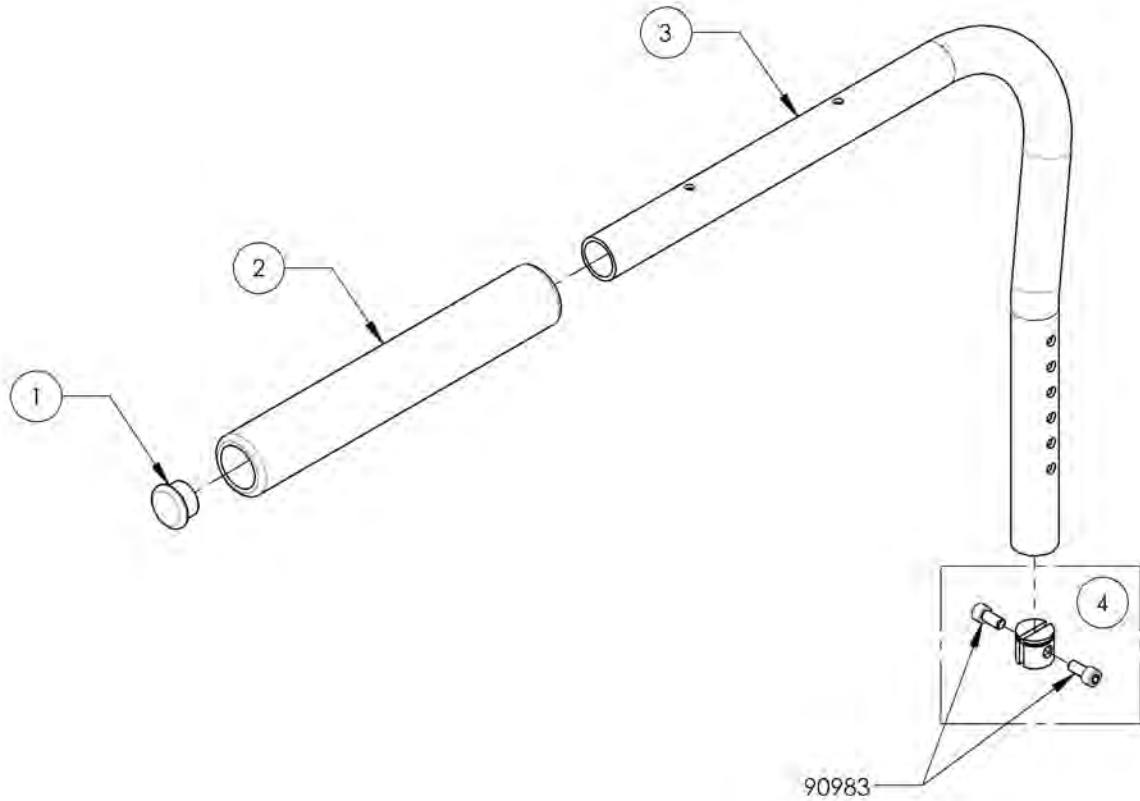


DETAIL A  
 SCALE 2 : 5

MAKE SURE TO HAVE YOUR SERIAL NUMBER  
 NEARBY WHEN ORDERING PARTS FOR YOUR  
 MOTION COMPOSITES WHEELCHAIR

**9001308**  
**Armrest - Swing Away, Right, Tubular**

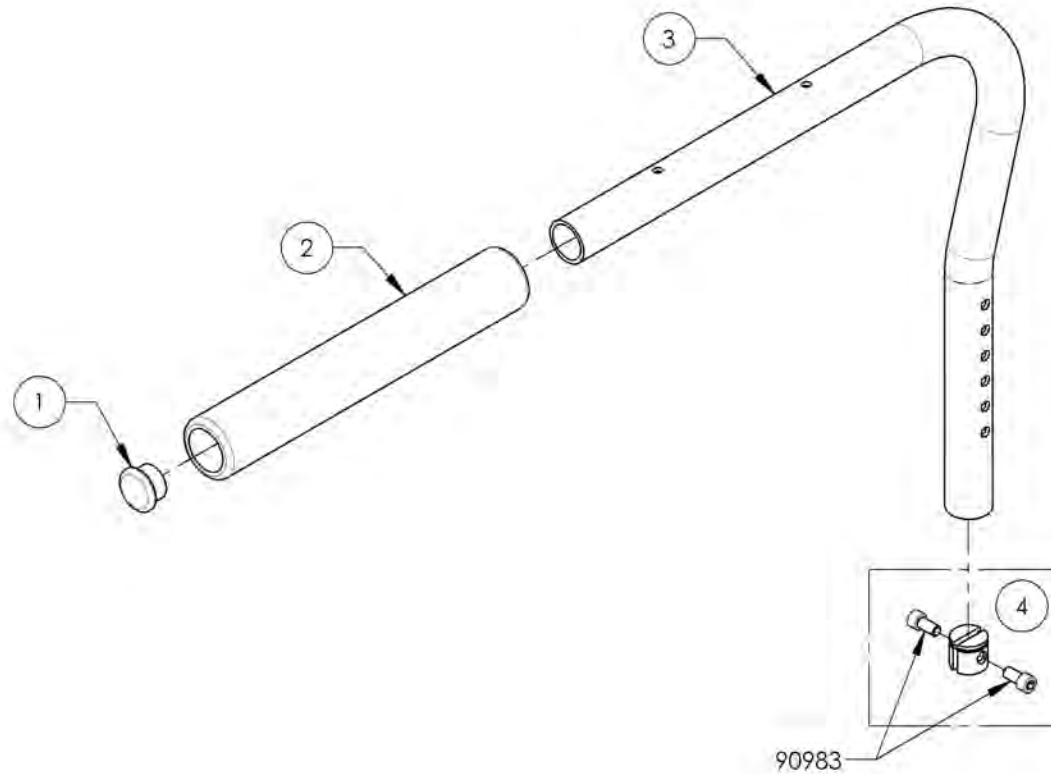
ITEM NO.	PARTNO	DESCRIPTION	9001308 /QTY.
1	99702	CAP 1 IN ALU	1
2	33049	SWING AWAY TUBULAR FOAM GRIP	1
3	33035	LTYPE ARMREST RIGHT (M)	1
4	33552	SWING AWAY SPLIT NUT - ASSEMBLY (M)	1



MAKE SURE TO HAVE YOUR SERIAL NUMBER  
 NEARBY WHEN ORDERING PARTS FOR YOUR  
 MOTION COMPOSITES WHEELCHAIR

**9001309  
Armrest - Swing Away, Left, Tubular**

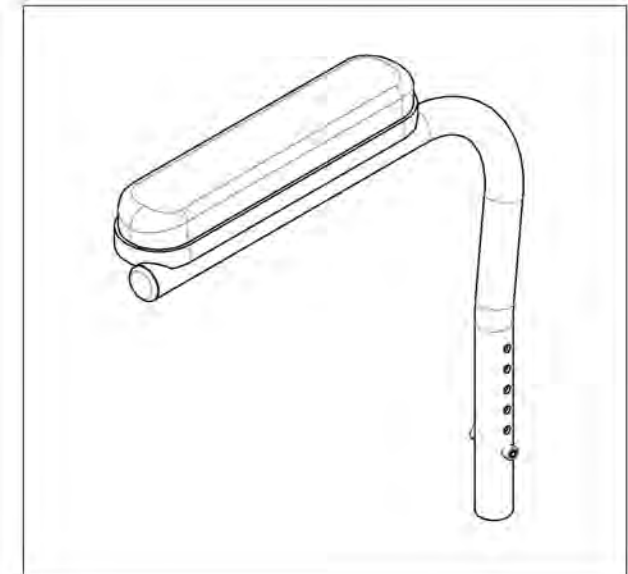
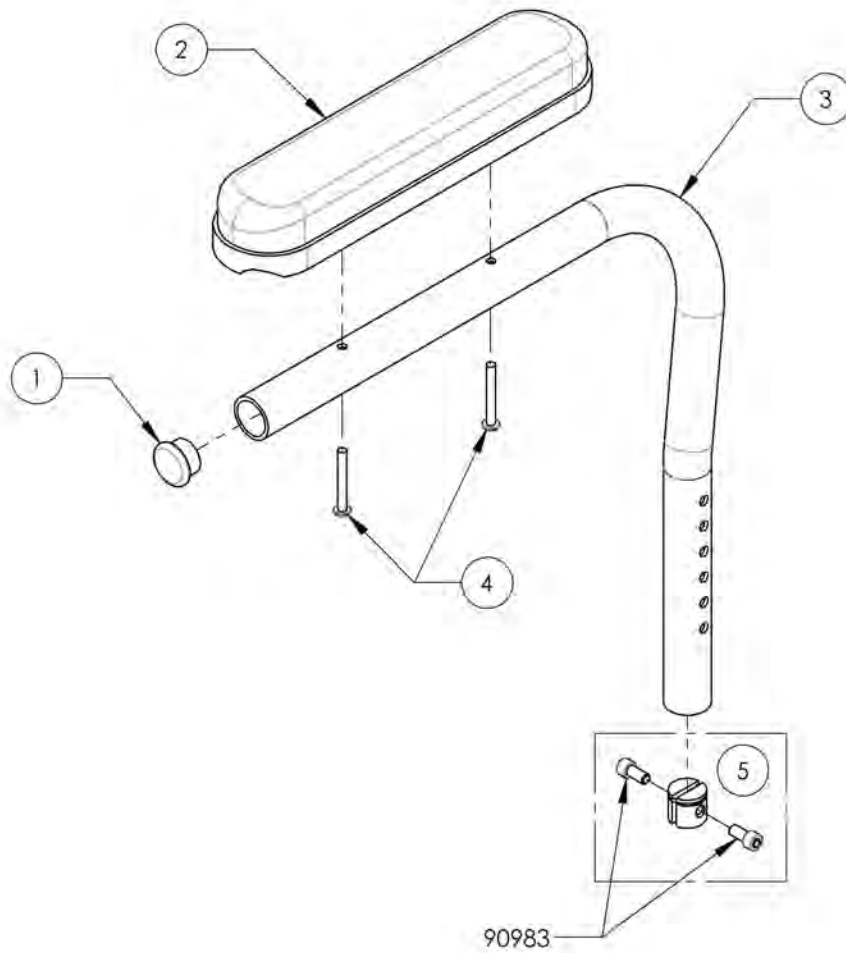
ITEM NO.	PARTNO	DESCRIPTION	9001309 /QTY.
1	99702	CAP 1 IN ALU	1
2	33049	SWING AWAY TUBULAR FOAM GRIP	1
3	33036	L TYPE ARMREST LEFT (M)	1
4	33552	SWING AWAY SPLIT NUT - ASSEMBLY (M)	1



MAKE SURE TO HAVE YOUR SERIAL NUMBER  
NEARBY WHEN ORDERING PARTS FOR YOUR  
MOTION COMPOSITES WHEELCHAIR

**9001310  
Armrest - Swing Away, Right, Desk Length**

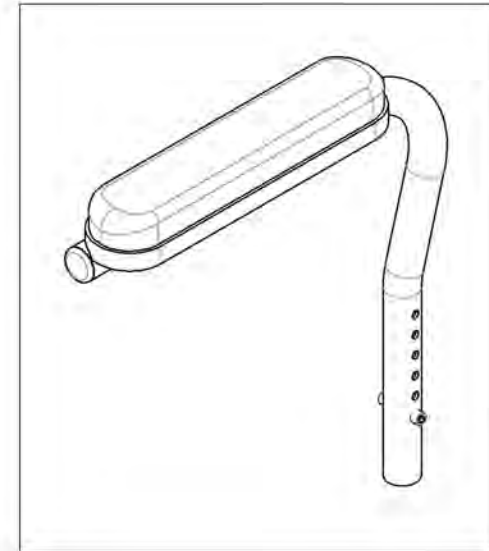
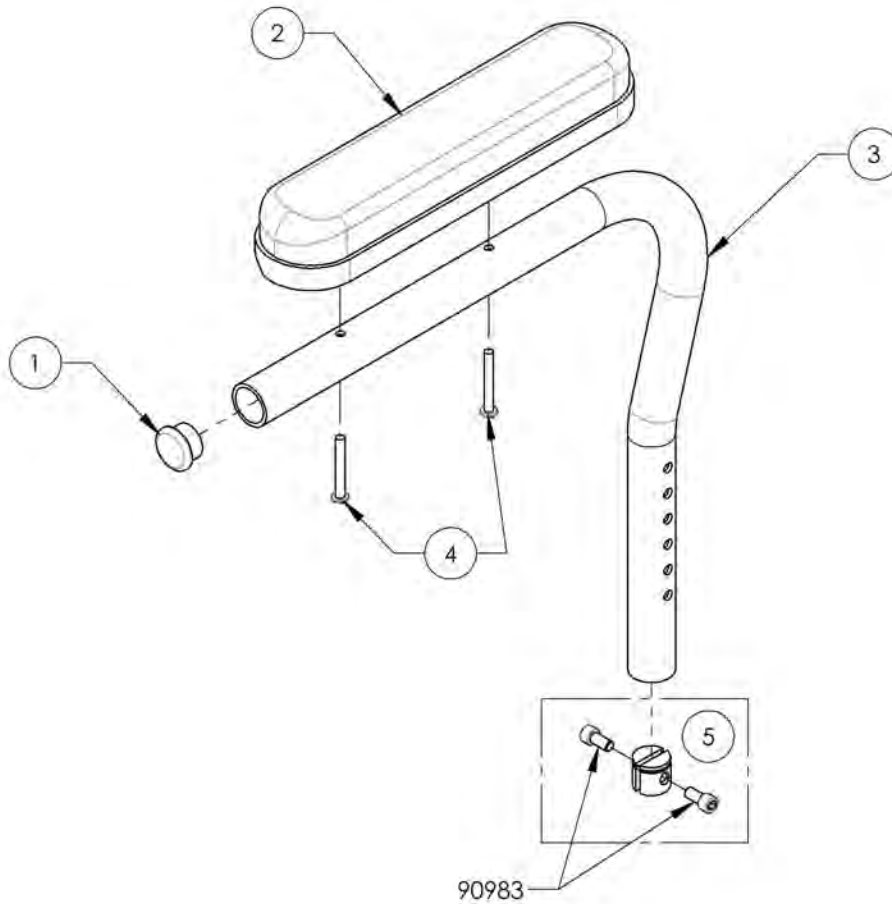
ITEM NO.	PARTNO	DESCRIPTION	9001310 /QTY.
1	99702	CAP 1 IN ALU	1
2	33038	ARMREST DESK PAD	1
3	33035	L TYPE ARMREST RIGHT (M)	1
4	99013	SCREW PHILLIPS PAN HD #10_32 X 1_1_2 + BLUE THREADLOCKER	2
5	33552	SWING AWAY SPLIT NUT - ASSEMBLY (M)	1



MAKE SURE TO HAVE YOUR SERIAL NUMBER NEARBY WHEN ORDERING PARTS FOR YOUR MOTION COMPOSITES WHEELCHAIR

**9001311  
Armrest - Swing Away, Left, Desk Length**

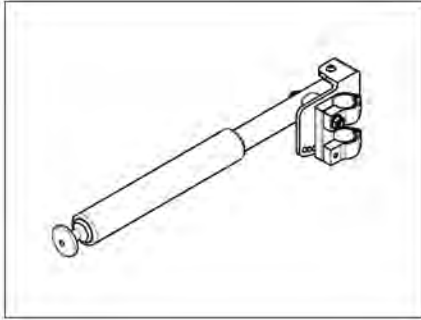
ITEM NO.	PARTNO	DESCRIPTION	9001311 /QTY.
1	99702	CAP 1 IN ALU	1
2	33038	ARMREST DESK PAD	1
3	33036	LTYPE ARMREST LEFT (M)	1
4	99013	SCREW PHILLIPS PAN HD #10_32 X 1_1_2 + BLUE THREADLOCKER	2
5	33552	SWING AWAY SPLIT NUT - ASSEMBLY (M)	1



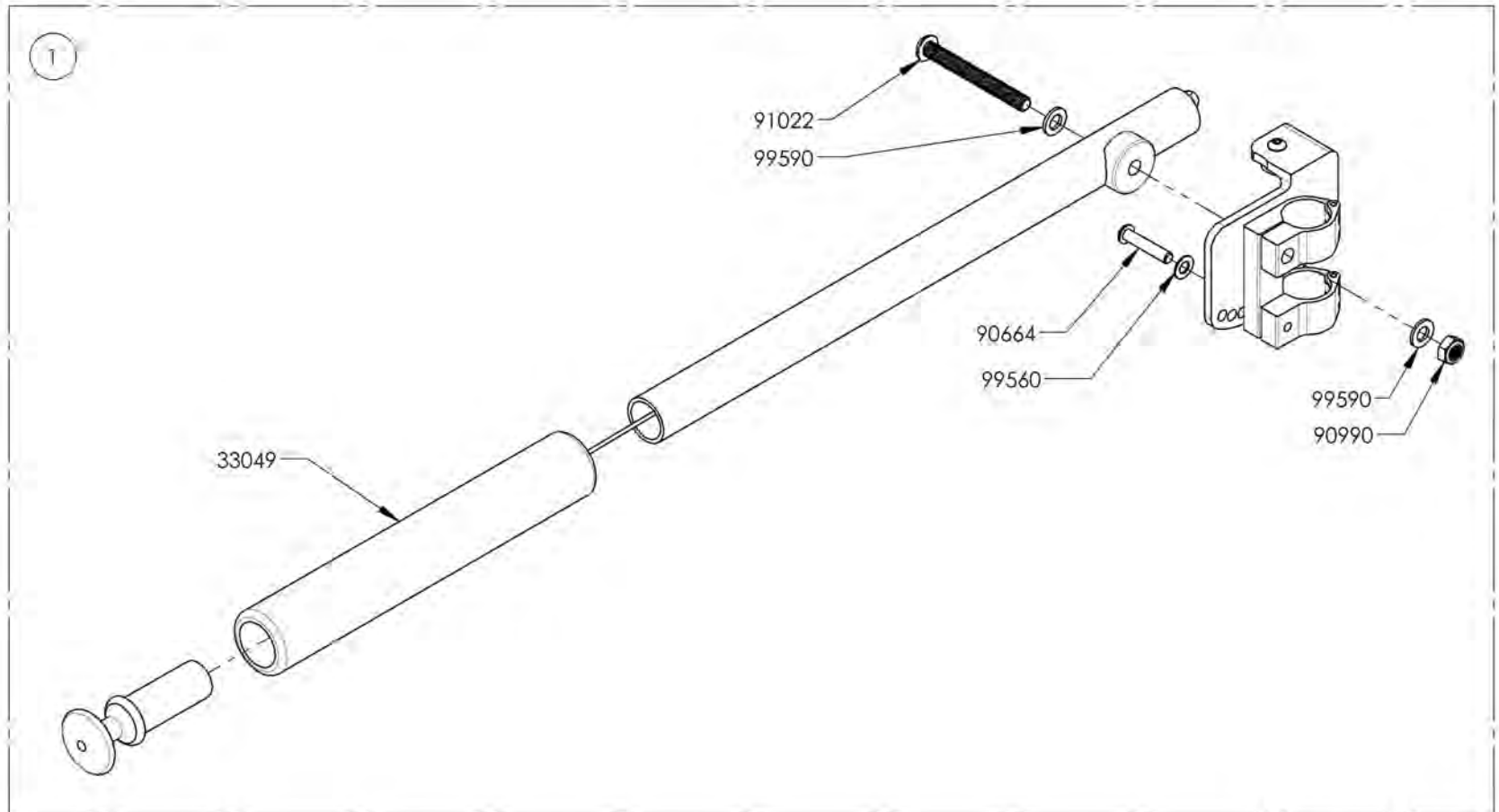
MAKE SURE TO HAVE YOUR SERIAL NUMBER NEARBY WHEN ORDERING PARTS FOR YOUR MOTION COMPOSITES WHEELCHAIR

**9001316**  
**Locking Armrest - Flip Up, Right**

ITEM NO.	PARTNO.	DESCRIPTION	9001316 /QTY.
1	33503	FLIP UP   ARMREST - RIGHT ASSEMBLY (M)	1



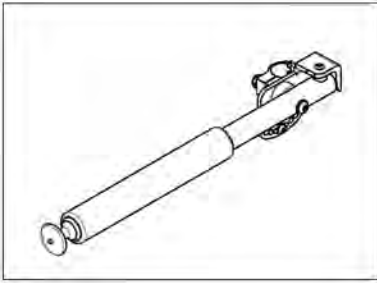
Depth Adjustable Back Canes  
Limited to **175lbs MAX**



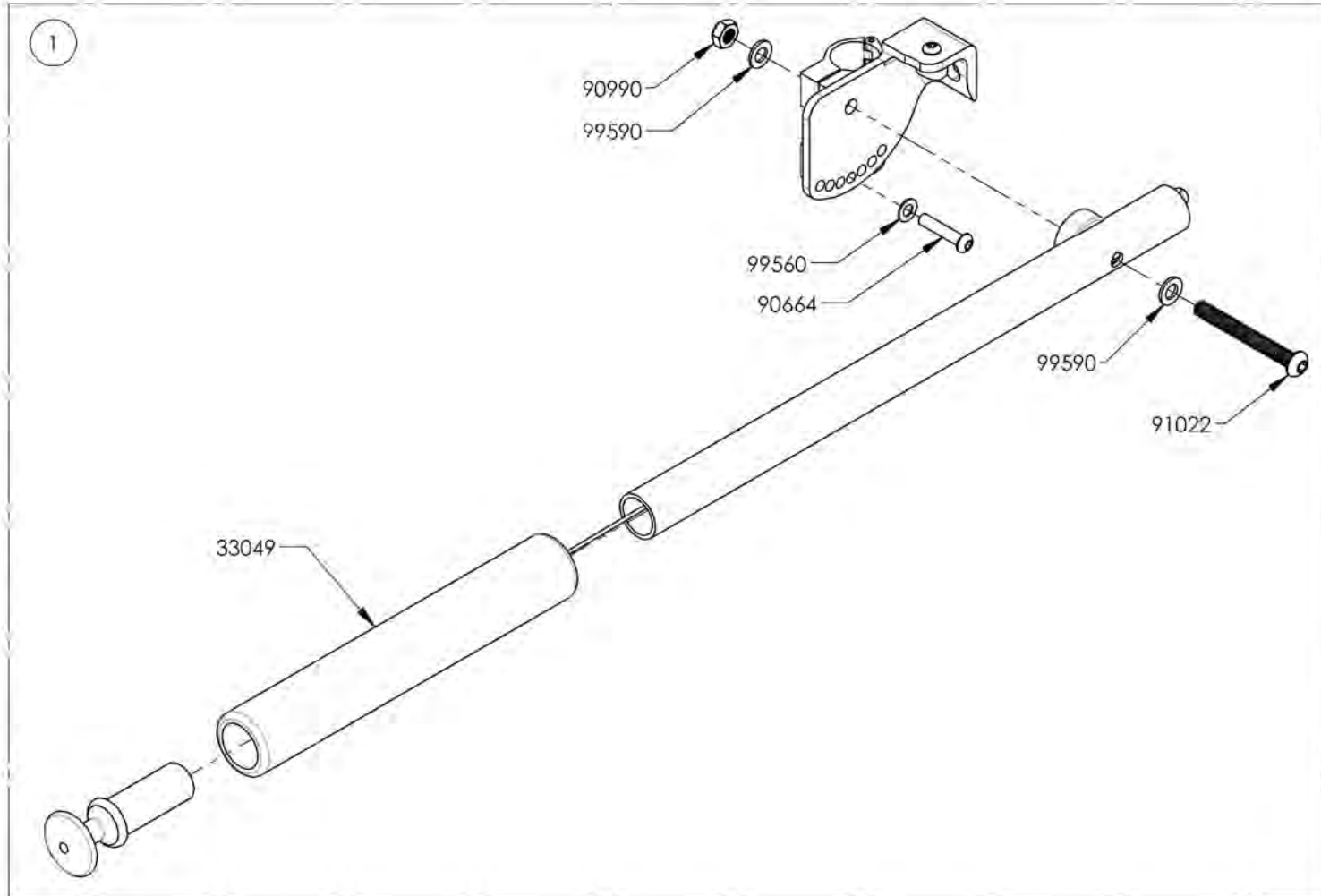
MAKE SURE TO HAVE YOUR SERIAL NUMBER  
NEARBY WHEN ORDERING PARTS FOR YOUR  
MOTION COMPOSITES WHEELCHAIR

**9001317**  
**Locking Armrest - Flip Up, Left**

ITEM NO.	PARTNO	DESCRIPTION	9001317 /QTY.
1	33504	FLIP UP I ARMREST - LEFT ASSEMBLY (M)	1



Depth Adjustable Back Canes  
 Limited to **175lbs MAX**

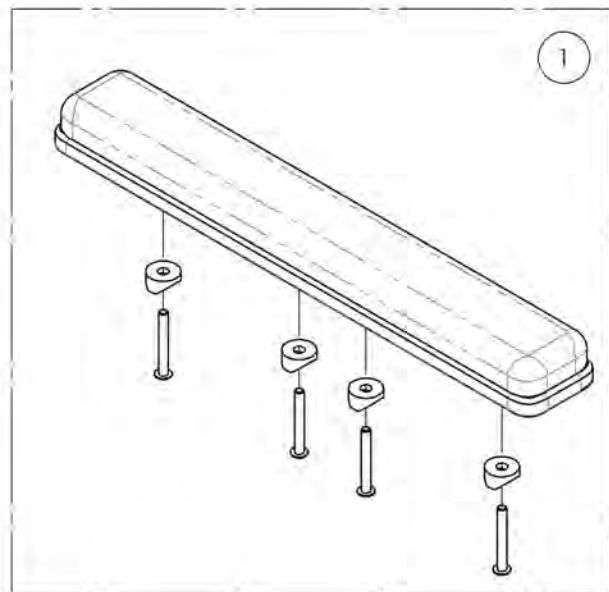


MAKE SURE TO HAVE YOUR SERIAL NUMBER  
 NEARBY WHEN ORDERING PARTS FOR YOUR  
 MOTION COMPOSITES WHEELCHAIR



**Armrest Catalogue**  
**Armrest - Gel Armrest Pad**

ITEM NO.	PARTNO	DESCRIPTION	QTY
1	9002932	Armrest - Gel Armrest Pad, Full Length	1
2	9002933	Armrest - V2 Armrest Structure, 8-12 in, Gel Pad, Full Length, Right	1
3	9002935	Armrest - V2 Armrest Structure, 8-12 in, Gel Pad, Full Length, Left	1
4	9002934	Armrest - V2 Armrest Structure, 10-14 in, Gel Pad, Full Length, Right	1
5	9002936	Armrest - V2 Armrest Structure, 10-14 in, Gel Pad, Full Length, Left	1

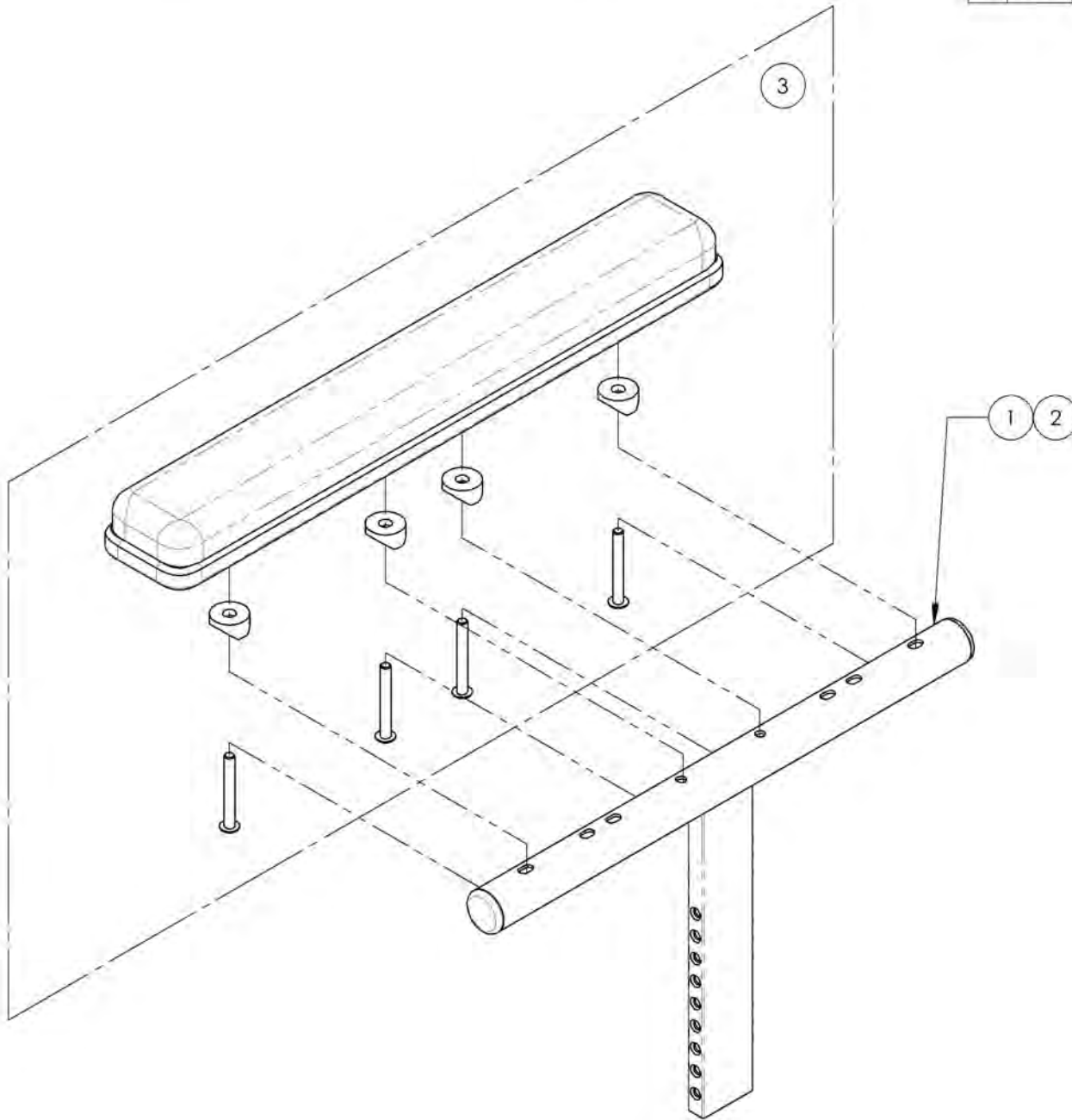


MAKE SURE TO HAVE YOUR SERIAL NUMBER  
 NEARBY WHEN ORDERING PARTS FOR YOUR  
 MOTION COMPOSITES WHEELCHAIR

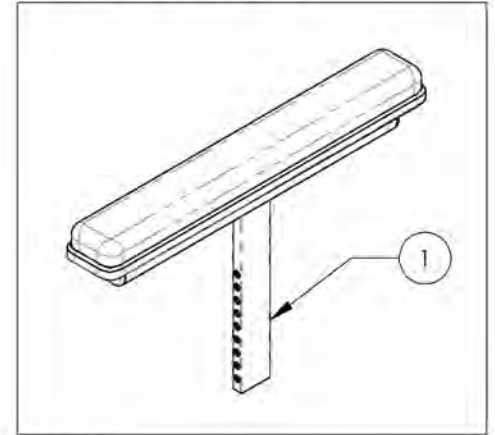
**9002933\_9002934**

**Armrest - V2 Armrest Structure, Gel Pad, Full Length, Right**

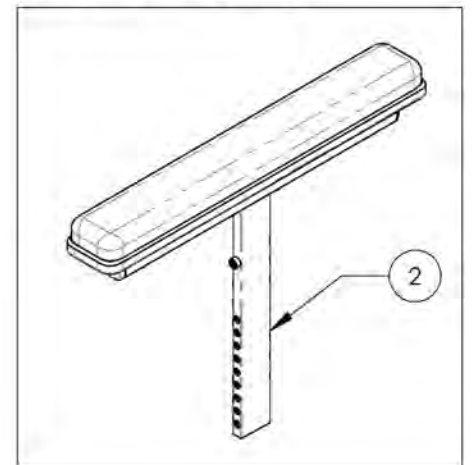
ITEM NO.	PARTNO	DESCRIPTION	9002933 /QTY.	9002934 /QTY.
1	33559	V2 ARMREST STRUCTURE 8-12" FOR FULL LENGTH - ASSEMBLY	1	-
2	33560	V2 ARMREST STRUCTURE 10-14" FOR FULL LENGTH - ASSEMBLY	-	1
3	33077	OVATION GEL ARMREST PAD 2x14in, FULL LENGTH	1	1



9002933  
Armrest - V2 Armrest Structure, 8-12 in,  
Gel Pad, Full Length, Right



9002934  
Armrest - V2 Armrest Structure, 10-14 in,  
Gel Pad, Full Length, Right

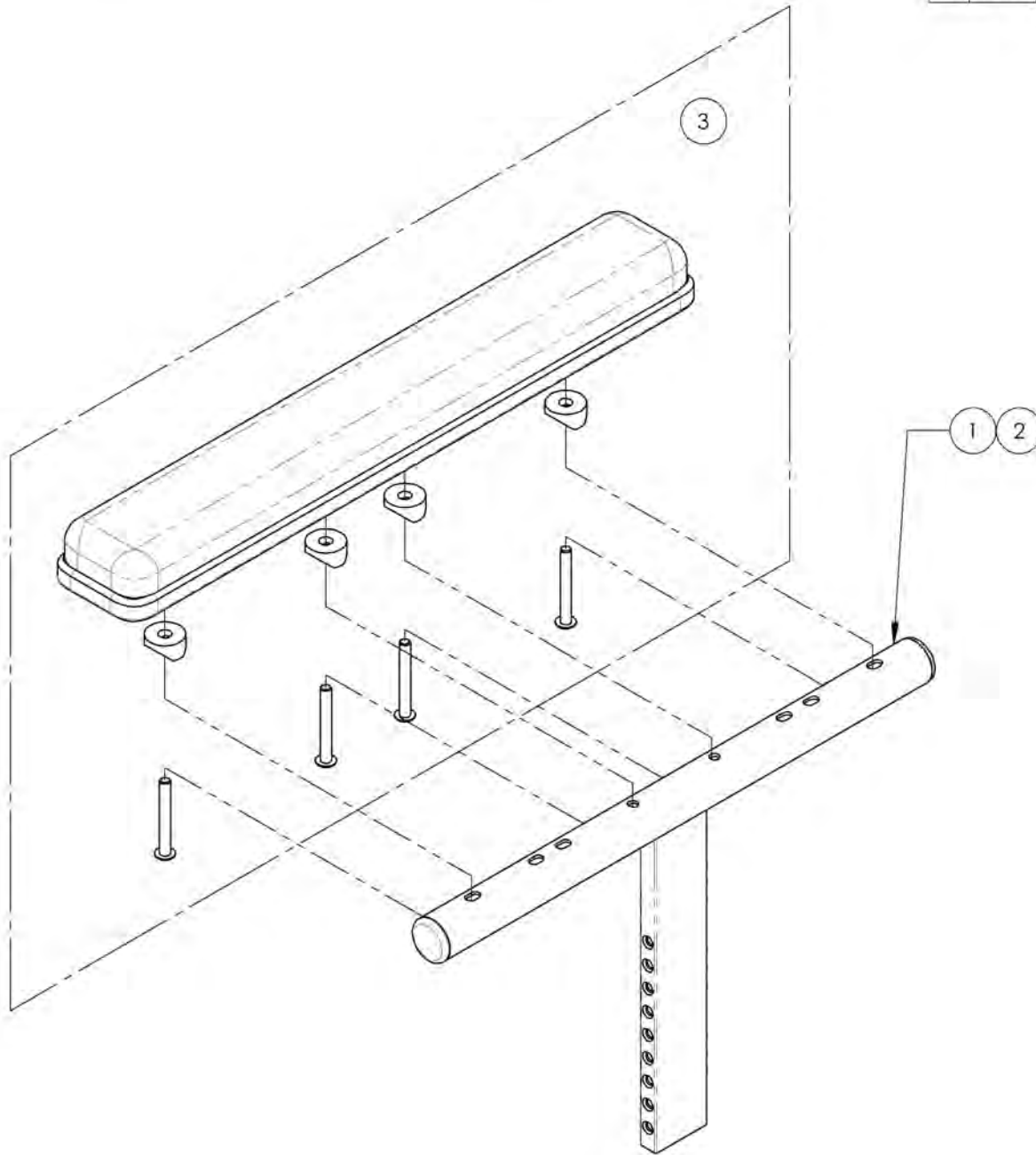


MAKE SURE TO HAVE YOUR SERIAL NUMBER  
NEARBY WHEN ORDERING PARTS FOR YOUR  
MOTION COMPOSITES WHEELCHAIR

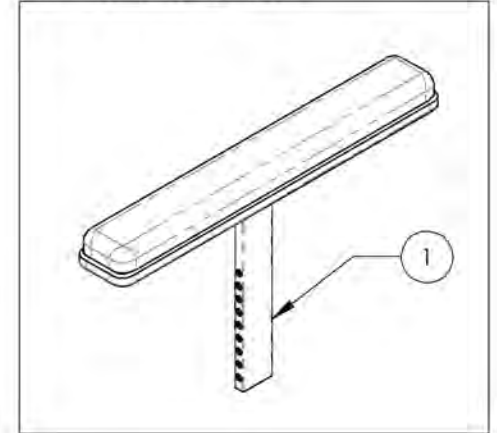
**9002935\_9002936**

**Armrest - V2 Armrest Structure, Gel Pad, Full Length, Left**

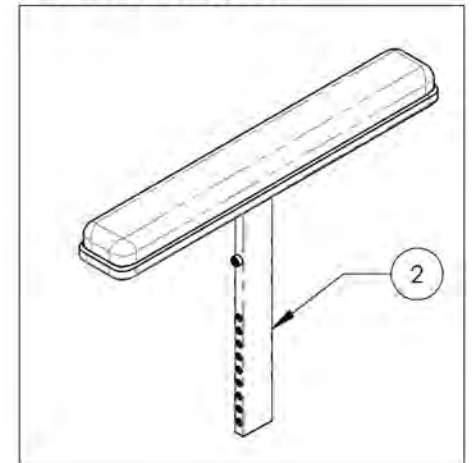
ITEM NO.	PARTNO	DESCRIPTION	9002935 /QTY.	9002936 /QTY.
1	33559	V2 ARMREST STRUCTURE 8-12" FOR FULL LENGTH - ASSEMBLY	1	-
2	33560	V2 ARMREST STRUCTURE 10-14" FOR FULL LENGTH - ASSEMBLY	-	1
3	33077	OVATION GEL ARMREST PAD 2x1.4in, FULL LENGTH	1	1



9002935  
Armrest - V2 Armrest Structure, 8-12 in,  
Gel Pad, Full Length, Left



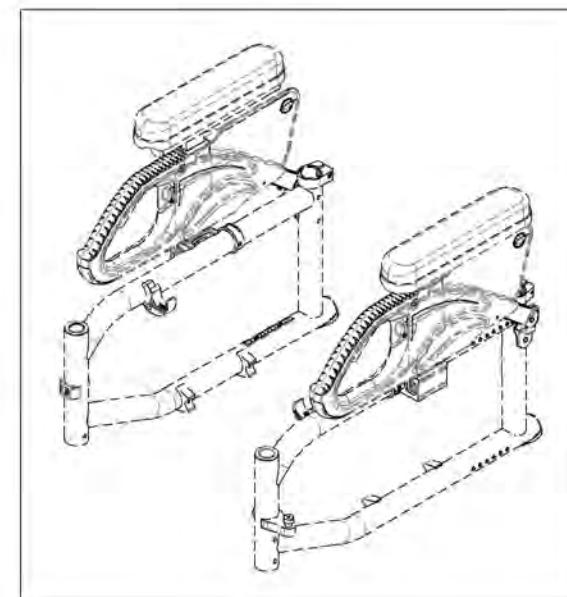
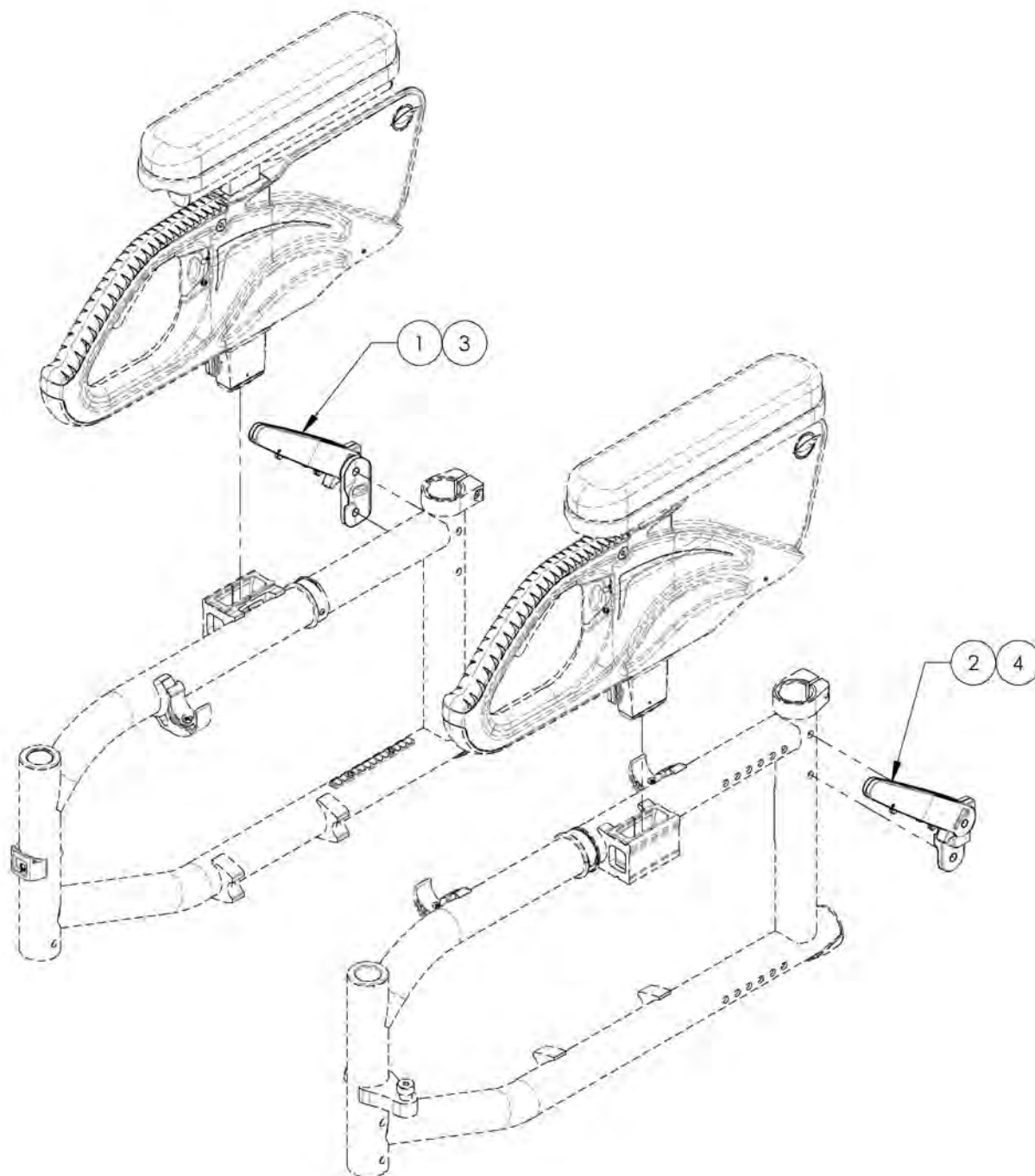
9002936  
Armrest - V2 Armrest Structure, 10-14 in,  
Gel Pad, Full Length, Left



MAKE SURE TO HAVE YOUR SERIAL NUMBER  
NEARBY WHEN ORDERING PARTS FOR YOUR  
MOTION COMPOSITES WHEELCHAIR

**Armrest Catalogue**  
**Armrests - Flip Back Receiver Type 2**

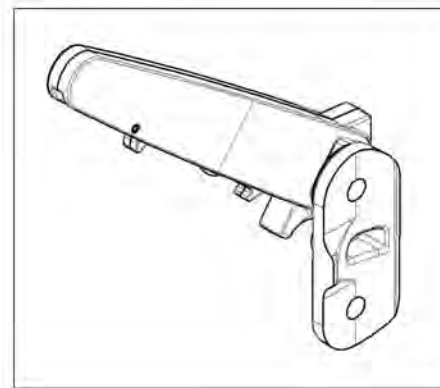
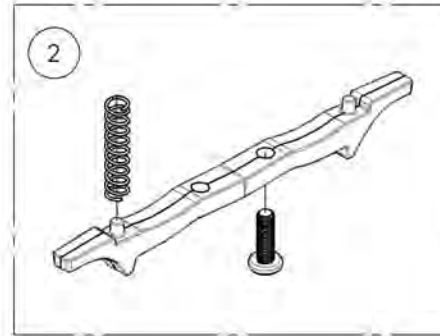
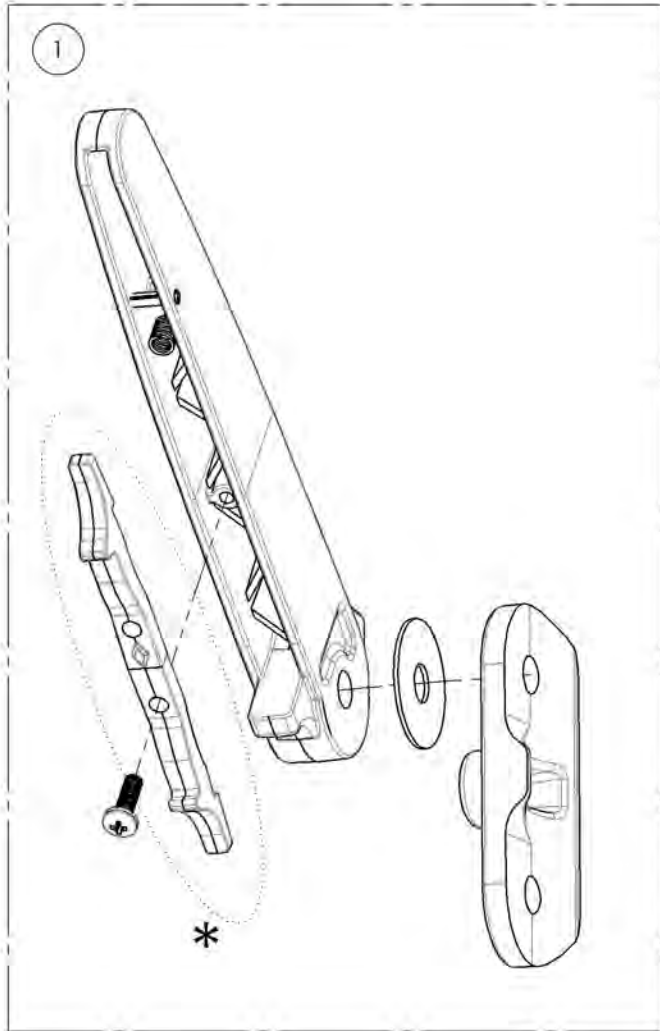
ITEM NO.	PARTNO	DESCRIPTION	QTY.
1	9001313	Armrest - Rear Pivot, Flip Back, Type 2, Right	1
2	9001314	Armrest - Rear Pivot, Flip Back, Type 2, Left	1
3	9002851	Correction Kit - Rear Pivot, Flip Back, Type 2, Right	1
4	9002852	Correction Kit - Rear Pivot, Flip Back, Type 2, Left	1



MAKE SURE TO HAVE YOUR SERIAL NUMBER  
 NEARBY WHEN ORDERING PARTS FOR YOUR  
 MOTION COMPOSITES WHEELCHAIR

**9001313**  
**Armrest - Rear Pivot, Flip Back, Type 2, Right**

ITEM NO.	PARTNO	DESCRIPTION	9001313 /QTY.	REPLACEMENT PARTS/QTY.
1	33558	V2 ARMREST REAR PIVOT - ASSEMBLY	1	-
2	33561	V2 ARMREST DOUBLE HOOK TRIGGER - ASSEMBLY	-	1



**\* DOUBLE TRIGGER INSTALLATION OPTIONS**

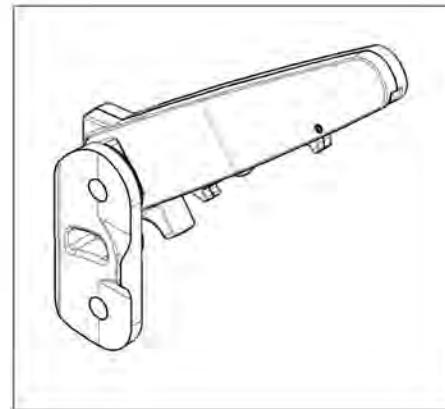
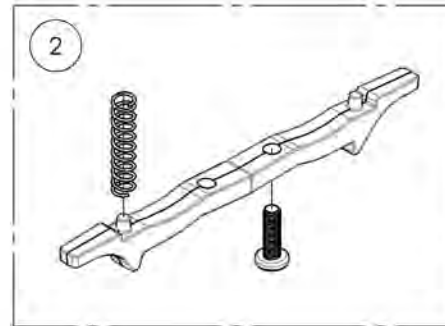
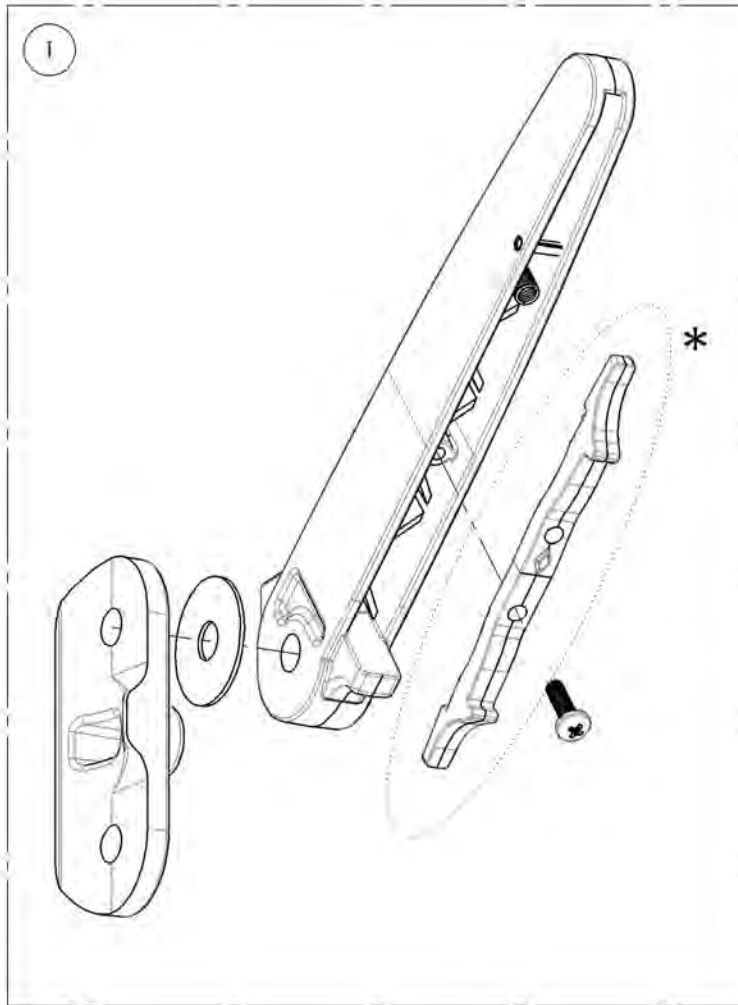
STANDARD RELEASE	LOCK POSITION
DETAIL A	DETAIL B

NOTICE THE DIRECTION OF THE DIAMOND SHAPE ON THE TRIGGER, HIS DISTANCE FROM THE SCREW INDICATES THE CONFIGURATION USED

MAKE SURE TO HAVE YOUR SERIAL NUMBER NEARBY WHEN ORDERING PARTS FOR YOUR MOTION COMPOSITES WHEELCHAIR

**9001314**  
**Armrest - Rear Pivot, Flip Back, Type 2, Left**

ITEM NO.	PARTNO	DESCRIPTION	9001314 /QTY.	REPLACEMENT PARTS/QTY.
1	33558	V2 ARMREST REAR PIVOT - ASSEMBLY	1	-
2	33561	V2 ARMREST DOUBLE HOOK TRIGGER - ASSEMBLY	-	1



**\*DOUBLE TRIGGER INSTALLATION OPTIONS**

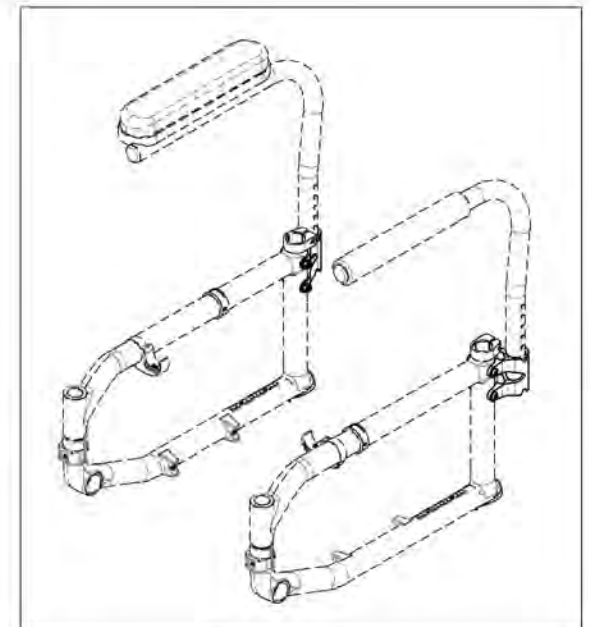
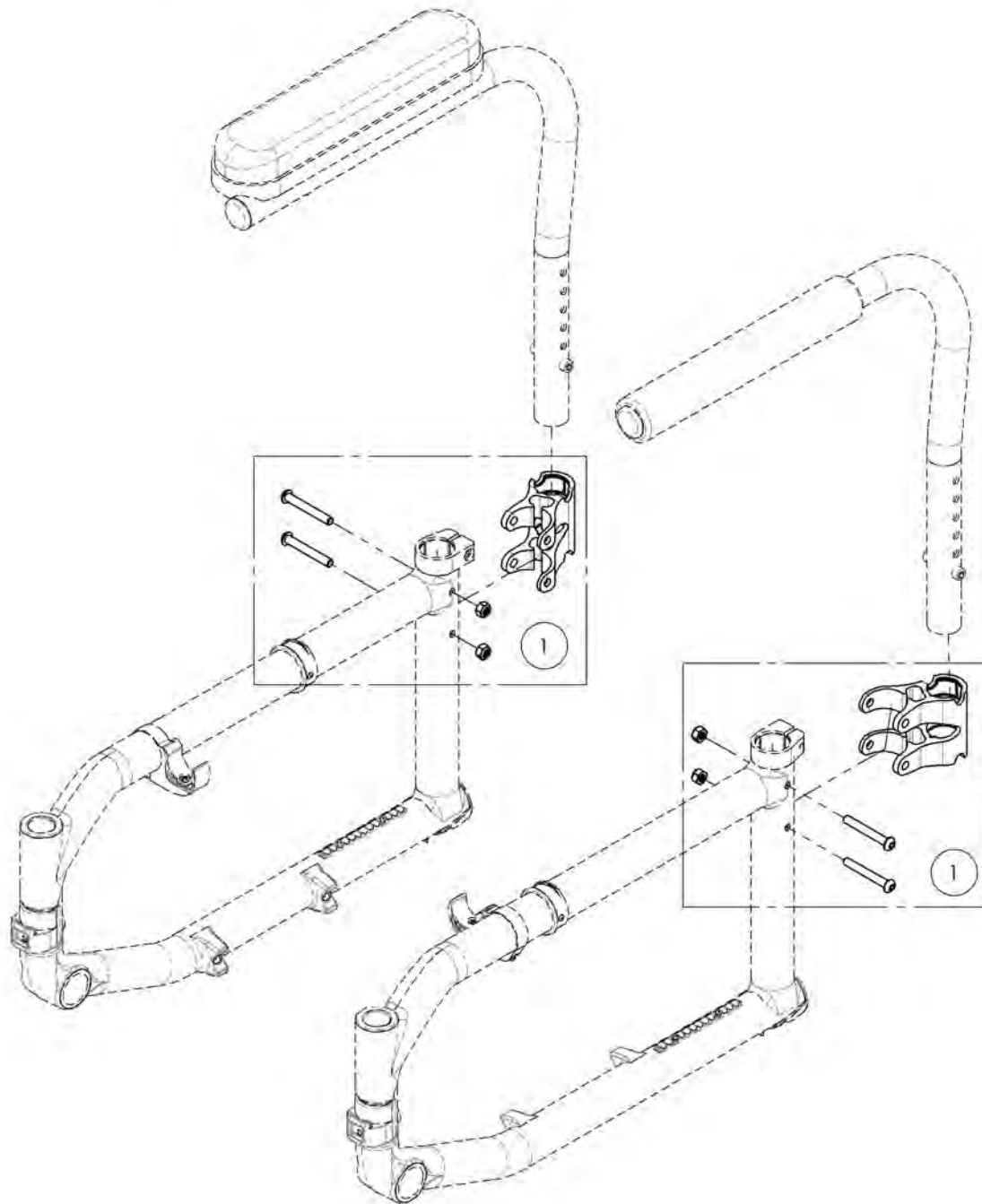
STANDARD RELEASE	LOCK POSITION
<b>DETAIL A</b>	<b>DETAIL B</b>

NOTICE THE DIRECTION OF THE DIAMOND SHAPE ON THE TRIGGER, HIS DISTANCE FROM THE SCREW INDICATES THE CONFIGURATION USED

MAKE SURE TO HAVE YOUR SERIAL NUMBER NEARBY WHEN ORDERING PARTS FOR YOUR MOTION COMPOSITES WHEELCHAIR

**Armrest Catalogue**  
**Armrests - Swing Away Receiver**

ITEM NO.	PARTNO	DESCRIPTION	QTY
1	9001315	Armrest - Receiver, Swing Away	2

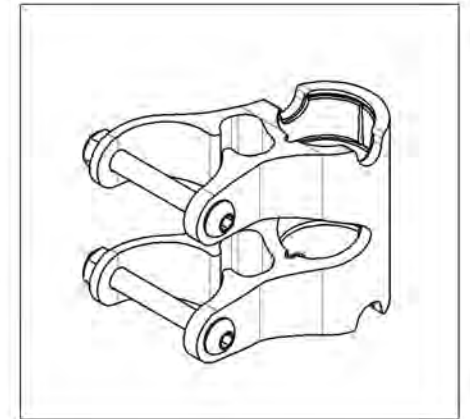
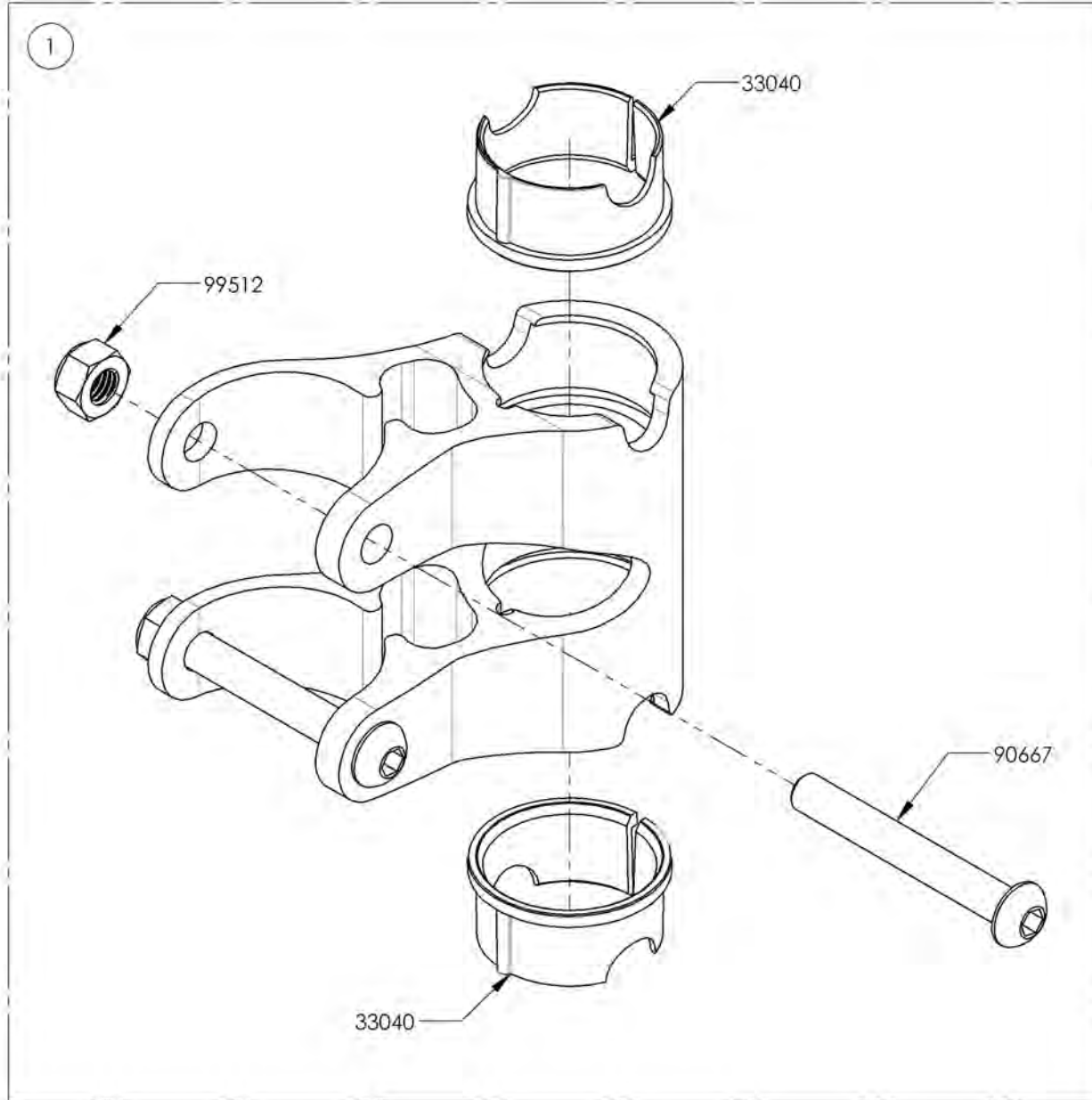


MAKE SURE TO HAVE YOUR SERIAL NUMBER  
 NEARBY WHEN ORDERING PARTS FOR YOUR  
 MOTION COMPOSITES WHEELCHAIR



**9001315**  
**Armrest - Receiver, Swing Away**

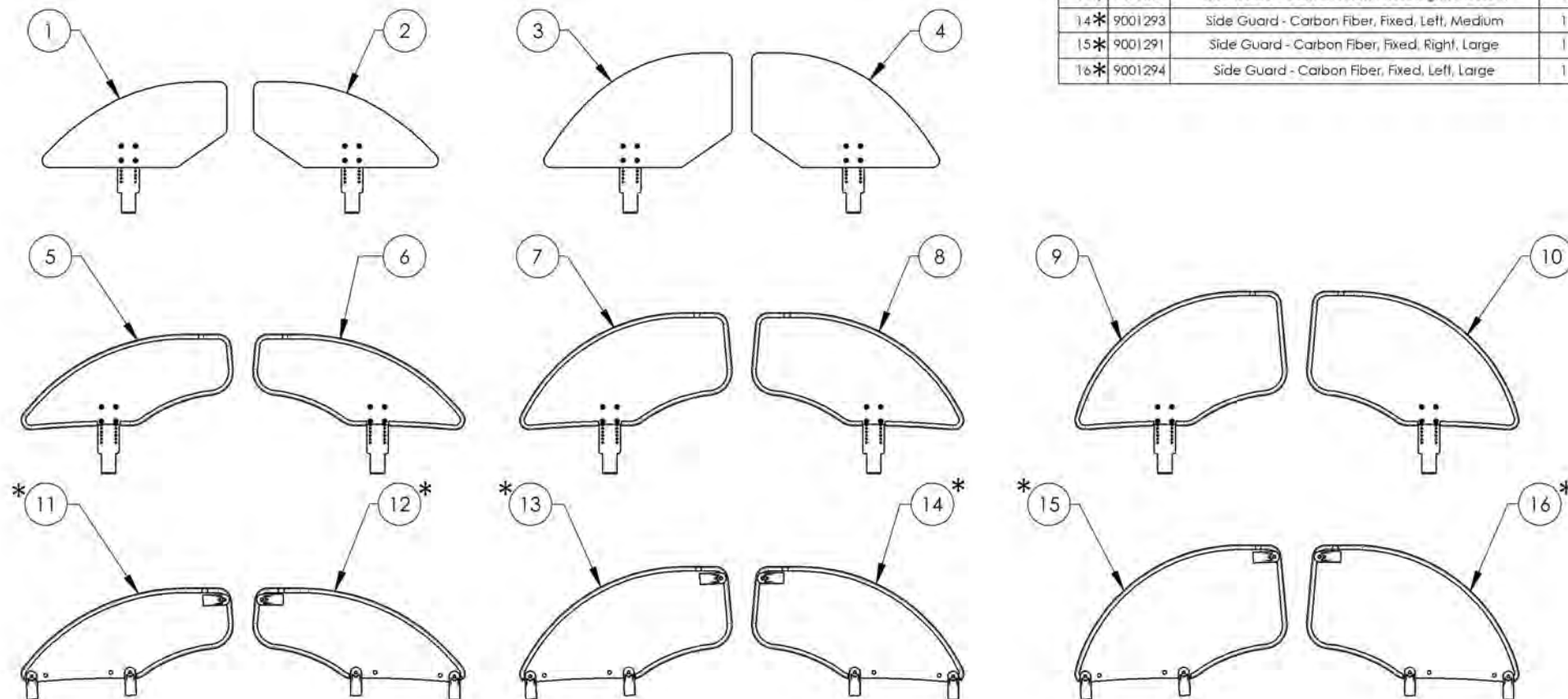
ITEM NO.	PARTNO	DESCRIPTION	9001315 /QTY.
1	33538	L ARMREST HOUSING	1



MAKE SURE TO HAVE YOUR SERIAL NUMBER  
NEARBY WHEN ORDERING PARTS FOR YOUR  
MOTION COMPOSITES WHEELCHAIR

## Sideguard Catalogue Sideguards

ITEM NO.	PARTNO	DESCRIPTION	QTY
1	9001295	Side Guard - Plastic, Removable, Right, Small	1
2	9001297	Side Guard - Plastic, Removable, Left, Small	1
3	9001296	Side Guard - Plastic, Removable, Right, Medium	1
4	9001298	Side Guard - Plastic, Removable, Left, Medium	1
5	9002489	Removable Side Guard - Carbon Fiber, Right, Small	1
6	9002492	Removable Side Guard - Carbon Fiber, Left, Small	1
7	9002490	Removable Side Guard - Carbon Fiber, Right, Medium	1
8	9002493	Removable Side Guard - Carbon Fiber, Left, Medium	1
9	9002491	Removable Side Guard - Carbon Fiber, Right, Large	1
10	9002494	Removable Side Guard - Carbon Fiber, Left, Large	1
11*	9001289	Side Guard - Carbon Fiber, Fixed, Right, Small	1
12*	9001292	Side Guard - Carbon Fiber, Fixed, Left, Small	1
13*	9001290	Side Guard - Carbon Fiber, Fixed, Right, Medium	1
14*	9001293	Side Guard - Carbon Fiber, Fixed, Left, Medium	1
15*	9001291	Side Guard - Carbon Fiber, Fixed, Right, Large	1
16*	9001294	Side Guard - Carbon Fiber, Fixed, Left, Large	1

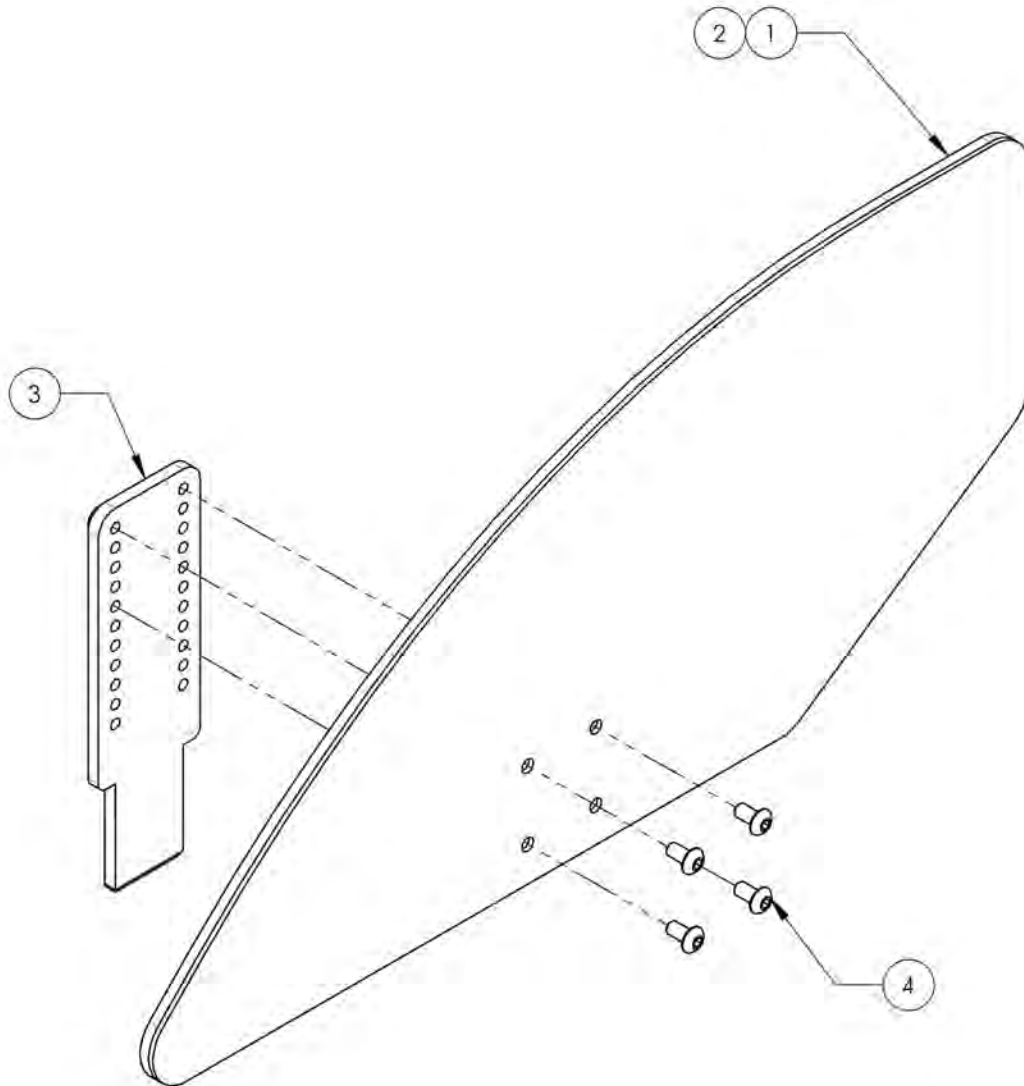


\*:NOT AVAILABLE FOR KIDS & APEX WHEELCHAIRS

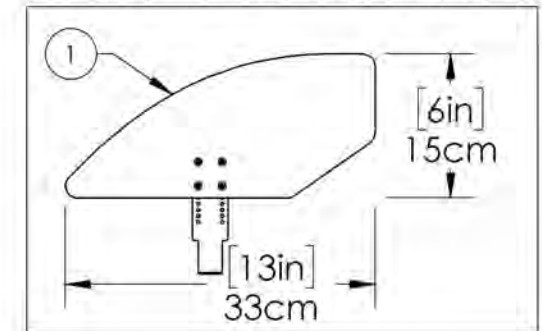
MAKE SURE TO HAVE YOUR SERIAL NUMBER  
NEARBY WHEN ORDERING PARTS FOR YOUR  
MOTION COMPOSITES WHEELCHAIR

**9001295\_9001296**  
**Side Guard - Plastic, Removable, Right**

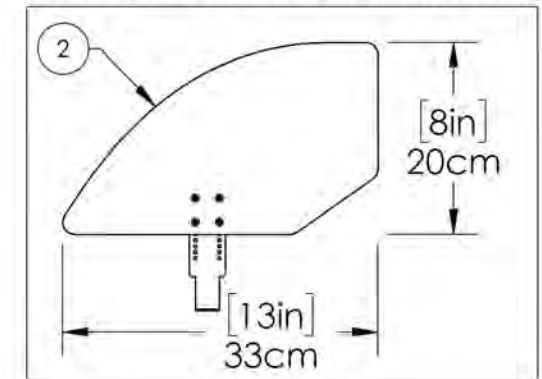
ITEM NO.	PARTNO	DESCRIPTION	9001295 /QTY.	9001296 /QTY.
1	51002	RIGID PLASTIC SIDE GUARD SMALL - ASSEMBLY	1	-
2	51003	RIGID PLASTIC SIDE GUARD MEDIUM - ASSEMBLY	-	1
3	51118	MUDGUARD & SIDEGUARD ADJUSTING PLATE	1	1
4	90631	BUTTON HEAD CAP SCREW M4X0.7 X 8mm LONG, FULLY THREADED + BLUE THREADLOCKER - BLACK ZINC	4	4



9001295  
 Side Guard - Plastic, Removable, Right, Small



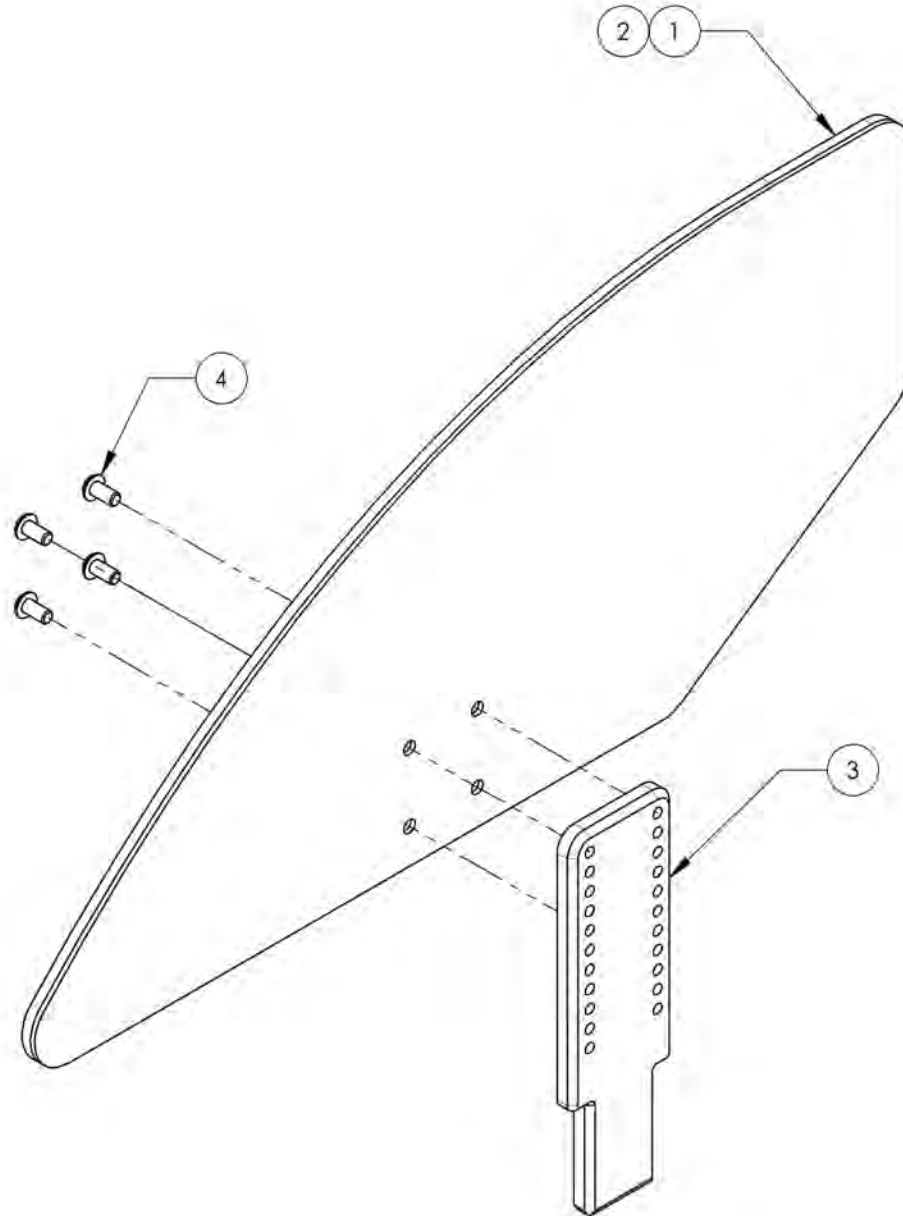
9001296  
 Side Guard - Plastic, Removable, Right, Medium



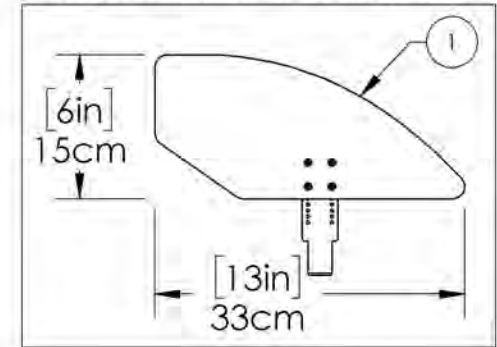
MAKE SURE TO HAVE YOUR SERIAL NUMBER  
 NEARBY WHEN ORDERING PARTS FOR YOUR  
 MOTION COMPOSITES WHEELCHAIR

**9001297\_9001298**  
**Side Guard - Plastic, Removable, Left**

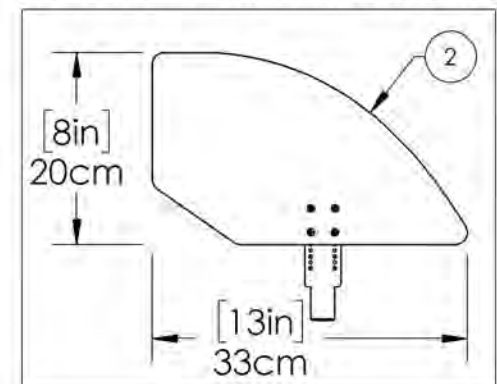
ITEM NO.	PARTNO	DESCRIPTION	9001297 /QTY.	9001298 /QTY.
1	51002	RIGID PLASTIC SIDE GUARD SMALL - ASSEMBLY	1	-
2	51003	RIGID PLASTIC SIDE GUARD MEDIUM - ASSEMBLY	-	1
3	51118	MUDGUARD & SIDEGUARD ADJUSTING PLATE	1	1
4	90631	BUTTON HEAD CAP SCREW M4X0.7 X 8mm LONG, FULLY THREADED + BLUE THREADLOCKER - BLACK ZINC	4	4



9001297  
 Side Guard - Plastic, Removable, Left, Small



9001298  
 Side Guard - Plastic, Removable, Left, Medium



MAKE SURE TO HAVE YOUR SERIAL NUMBER NEARBY WHEN ORDERING PARTS FOR YOUR MOTION COMPOSITES WHEELCHAIR

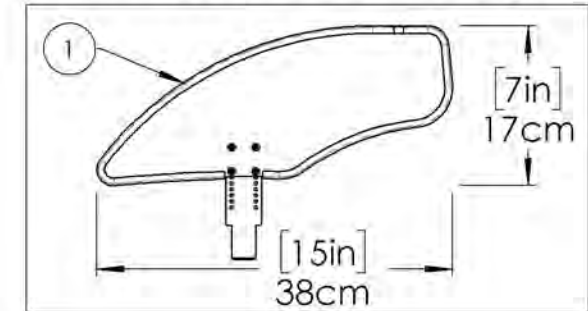
**9002489\_9002491**

**Side Guard - Carbon Fiber, Removable, Right**

ITEM NO.	PARTNO	DESCRIPTION	9002489 /QTY.	9002490 /QTY.	9002491 /QTY.
1	51213	SMALL AJUSTABLE CARBON FIBER SIDEGUARD, H-165mm L-372mm - ASSEMBLY	1	-	-
2	51214	MEDIUM AJUSTABLE CARBON FIBER SIDEGUARD, H-203mm L-372mm - ASSEMBLY	-	1	-
3	51215	LARGE AJUSTABLE CARBON FIBER SIDEGUARD, H-241mm L-372mm - ASSEMBLY	-	-	1
4	51118	MUDGUARD & SIDEGUARD ADJUSTING PLATE	1	1	1
5	90631	BUTTON HEAD CAP SCREW M4X0.7 X 8mm LONG, FULLY THREADED + BLUE THREADLOCKER - BLACK ZINC	4	4	4

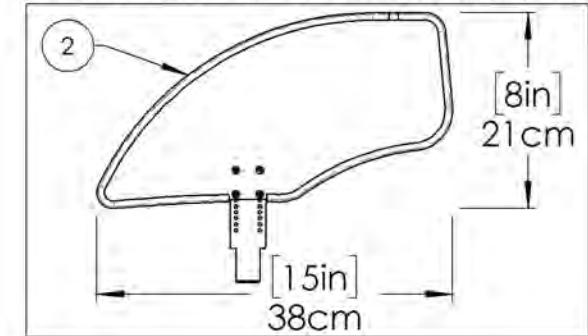
**9002489**

**Side Guard - Carbon Fiber, Removable, Right, Small**



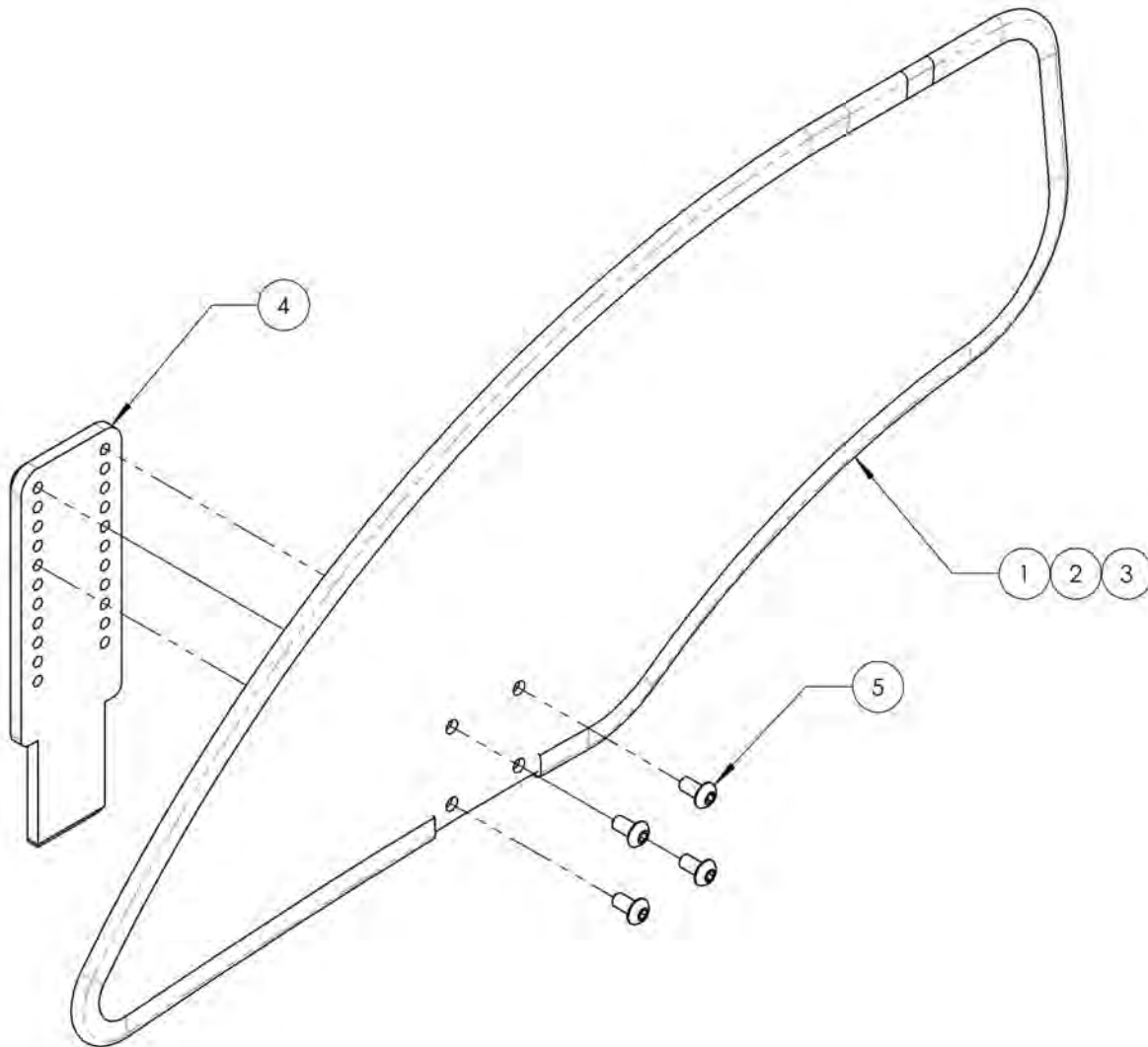
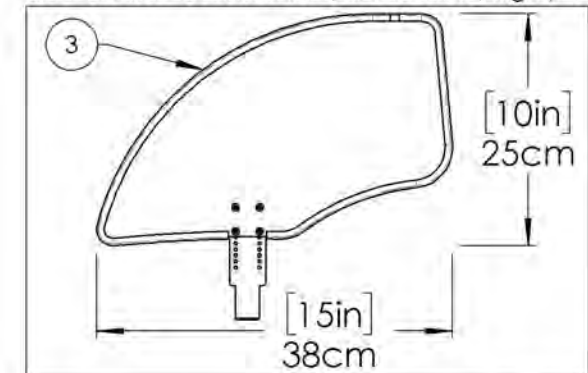
**9002490**

**Side Guard - Carbon Fiber, Removable, Right, Medium**



**9002491**

**Side Guard - Carbon Fiber, Removable, Right, Large**

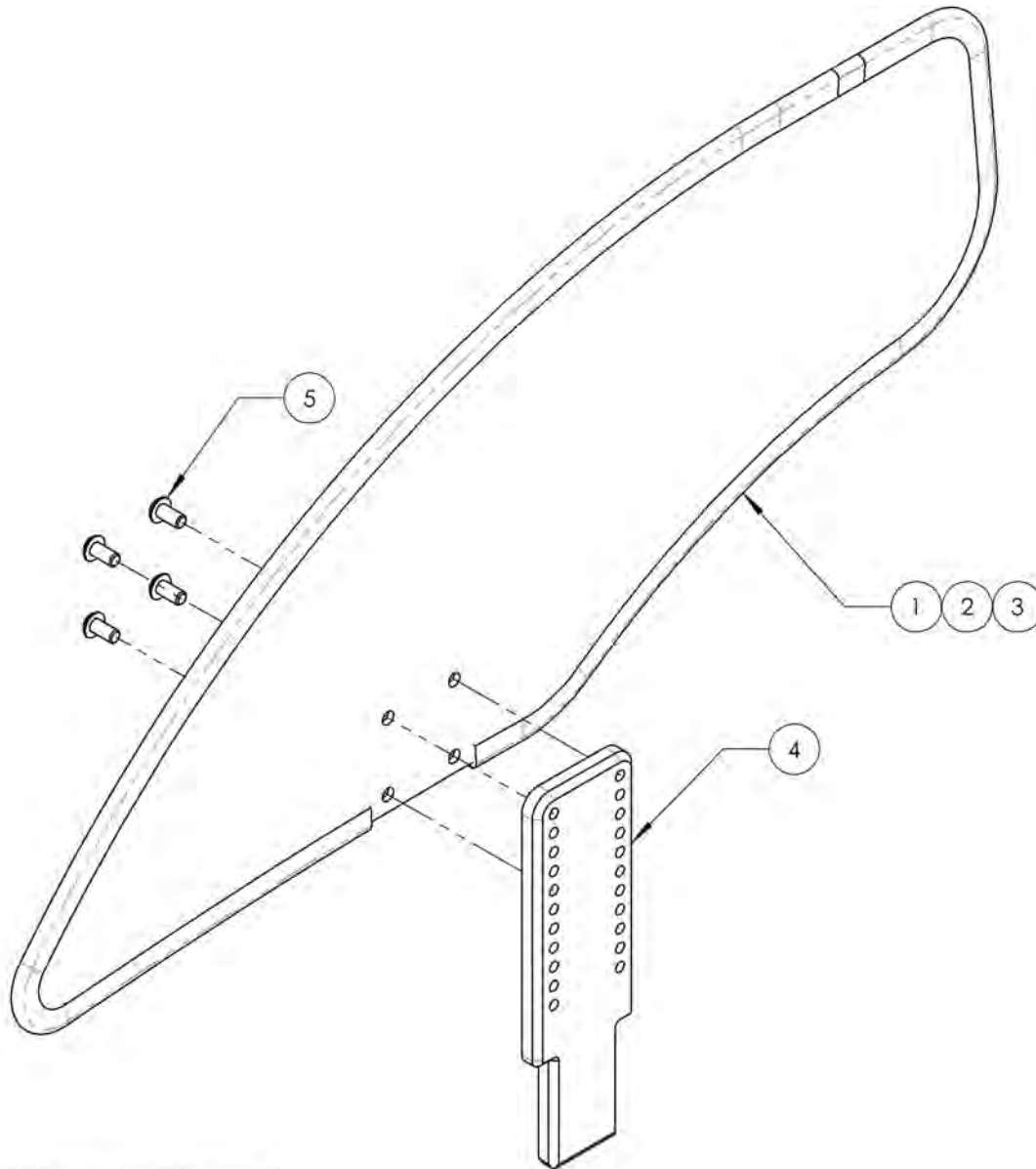


MAKE SURE TO HAVE YOUR SERIAL NUMBER NEARBY WHEN ORDERING PARTS FOR YOUR MOTION COMPOSITES WHEELCHAIR

**9002492\_9002494**

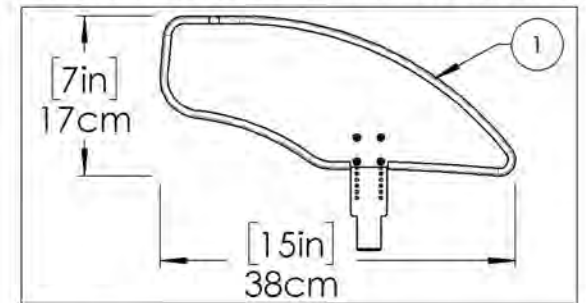
**Side Guard - Carbon Fiber, Removable, Left,**

ITEM NO.	PARTNO	DESCRIPTION	9002492 /QTY.	9002493 /QTY.	9002494 /QTY.
1	51213	SMALL AJUSTABLE CARBON FIBER SIDEGUARD, H-165mm L-372mm - ASSEMBLY	1	-	-
2	51214	MEDIUM AJUSTABLE CARBON FIBER SIDEGUARD, H-203mm L-372mm - ASSEMBLY	-	1	-
3	51215	LARGE AJUSTABLE CARBON FIBER SIDEGUARD, H-241mm L-372mm - ASSEMBLY	-	-	1
4	51118	MUDGUARD & SIDEGUARD ADJUSTING PLATE	1	1	1
5	90631	BUTTON HEAD CAP SCREW M4X0.7 X 8mm LONG, FULLY THREADED + BLUE THREADLOCKER - BLACK ZINC	4	4	4



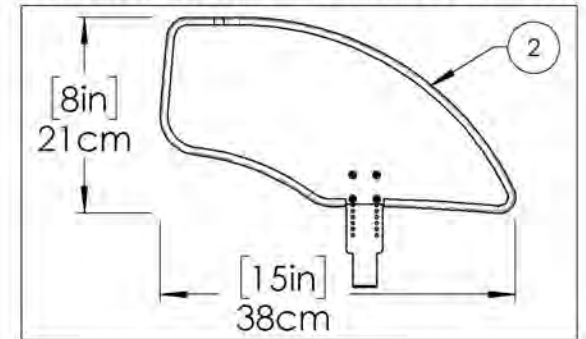
9002492

Side Guard - Carbon Fiber, Removable, Left, Small



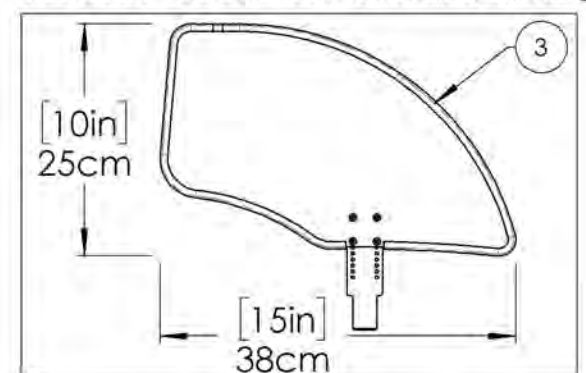
9002493

Side Guard - Carbon Fiber, Removable, Left, Medium



9002494

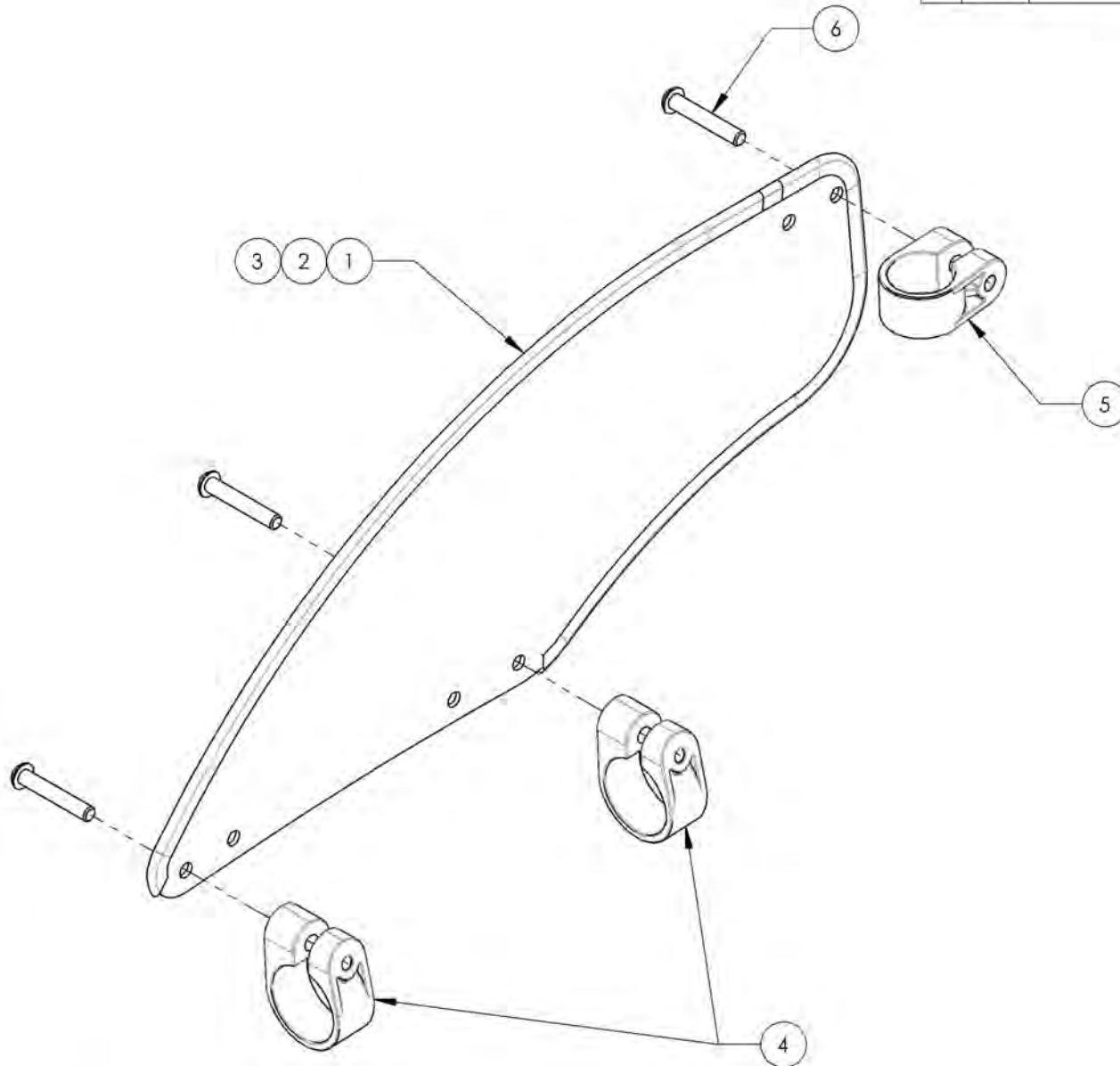
Side Guard - Carbon Fiber, Removable, Left, Large



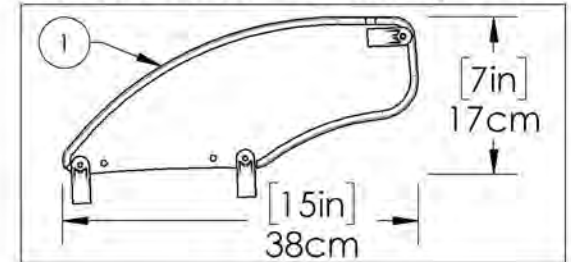
MAKE SURE TO HAVE YOUR SERIAL NUMBER NEARBY WHEN ORDERING PARTS FOR YOUR MOTION COMPOSITES WHEELCHAIR

**9001289\_9001291**  
**Side Guard - Carbon Fiber, Fixed, Right**

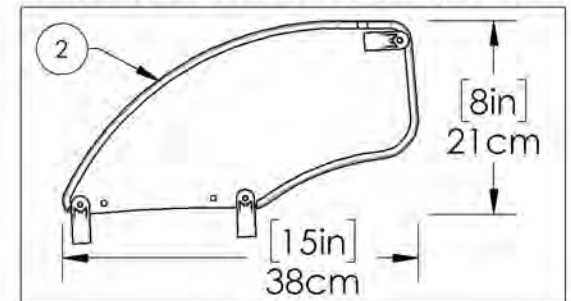
ITEM NO.	PARTNO	DESCRIPTION	9001289 /QTY.	9001290 /QTY.	9001291 /QTY.
1	51112	SMALL FIXED CARBON FIBER SIDEGUARD, H-165mm L-372mm - ASSEMBLY	1	-	-
2	51113	MEDIUM FIXED CARBON FIBER SIDEGUARD, H-203mm L-372mm - ASSEMBLY	-	1	-
3	51114	LARGE FIXED CARBON FIBER SIDEGUARD, H-241mm L-372mm - ASSEMBLY	-	-	1
4	60201	FRAME SAVER	2	2	2
5	60202	FRAME SAVER 1in	1	1	1
6	90665	BUTTON HEAD CAP SCREW M6X1 X 35mm LONG, 24mm THREADED + BLUE THREADLOCKER - BLACK ZINC	3	3	3



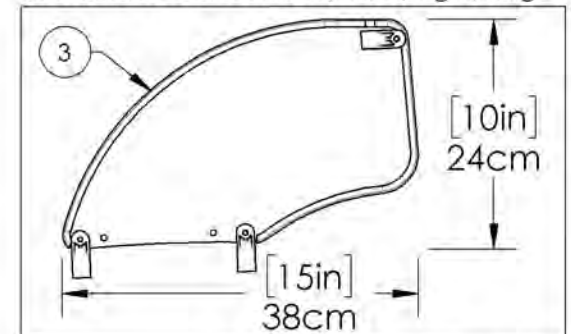
9001289  
 Side Guard - Carbon Fiber, Fixed, Right, Small



9001290  
 Side Guard - Carbon Fiber, Fixed, Right, Medium



9001291  
 Side Guard - Carbon Fiber, Fixed, Right, Large

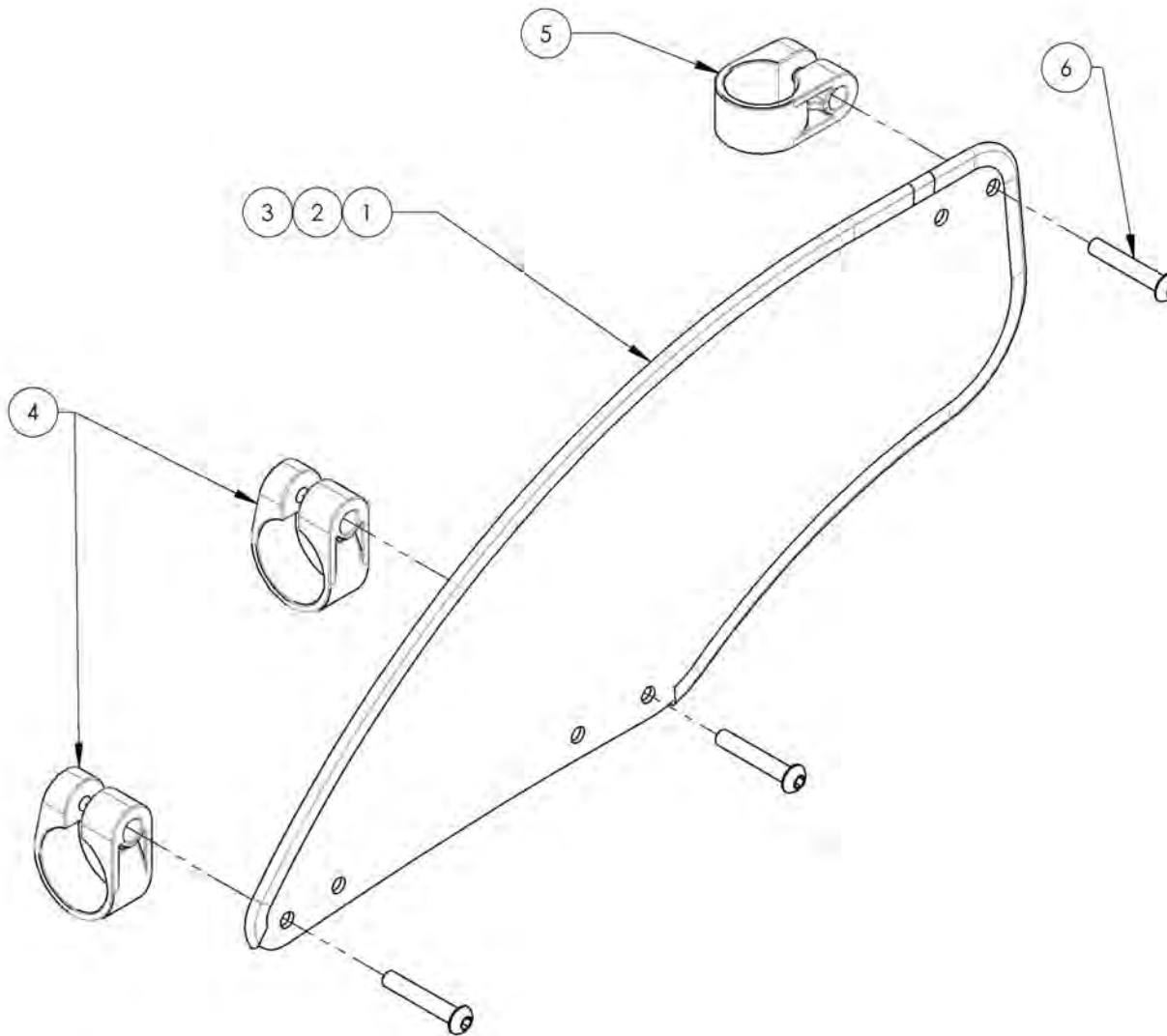


MAKE SURE TO HAVE YOUR SERIAL NUMBER  
 NEARBY WHEN ORDERING PARTS FOR YOUR  
 MOTION COMPOSITES WHEELCHAIR

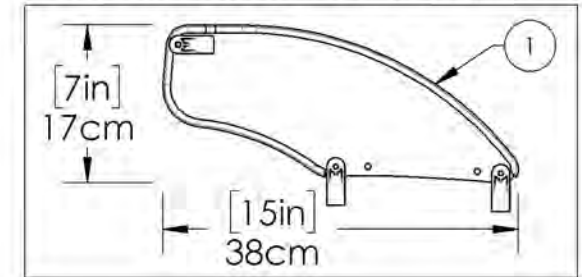


**9001292\_9001294**  
**Side Guard - Carbon Fiber, Fixed, Left**

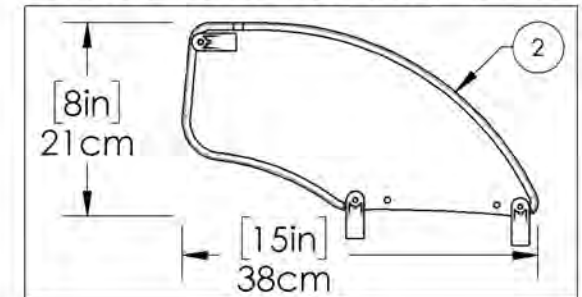
ITEM NO.	PARTNO	DESCRIPTION	9001292 /QTY.	9001293 /QTY.	9001294 /QTY.
1	51112	SMALL FIXED CARBON FIBER SIDEGUARD, H-165mm L-372mm - ASSEMBLY	1	-	-
2	51113	MEDIUM FIXED CARBON FIBER SIDEGUARD, H-203mm L-372mm - ASSEMBLY	-	1	-
3	51114	LARGE FIXED CARBON FIBER SIDEGUARD, H-241mm L-372mm - ASSEMBLY	-	-	1
4	60201	FRAME SAVER	2	2	2
5	60202	FRAME SAVER 1in	1	1	1
6	90665	BUTTON HEAD CAP SCREW M6X1 X 35mm LONG, 24mm THREADED + BLUE THREADLOCKER - BLACK ZINC	3	3	3



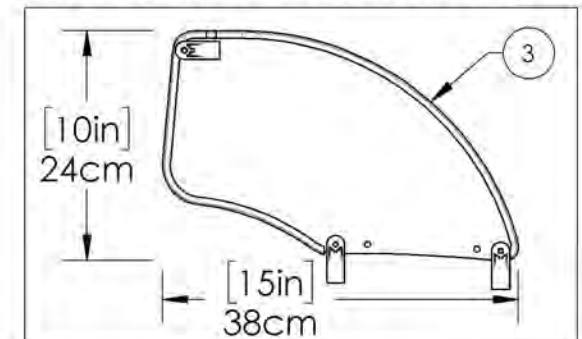
9001292  
 Side Guard - Carbon Fiber, Fixed, Left, Small



9001293  
 Side Guard - Carbon Fiber, Fixed, Left, Medium



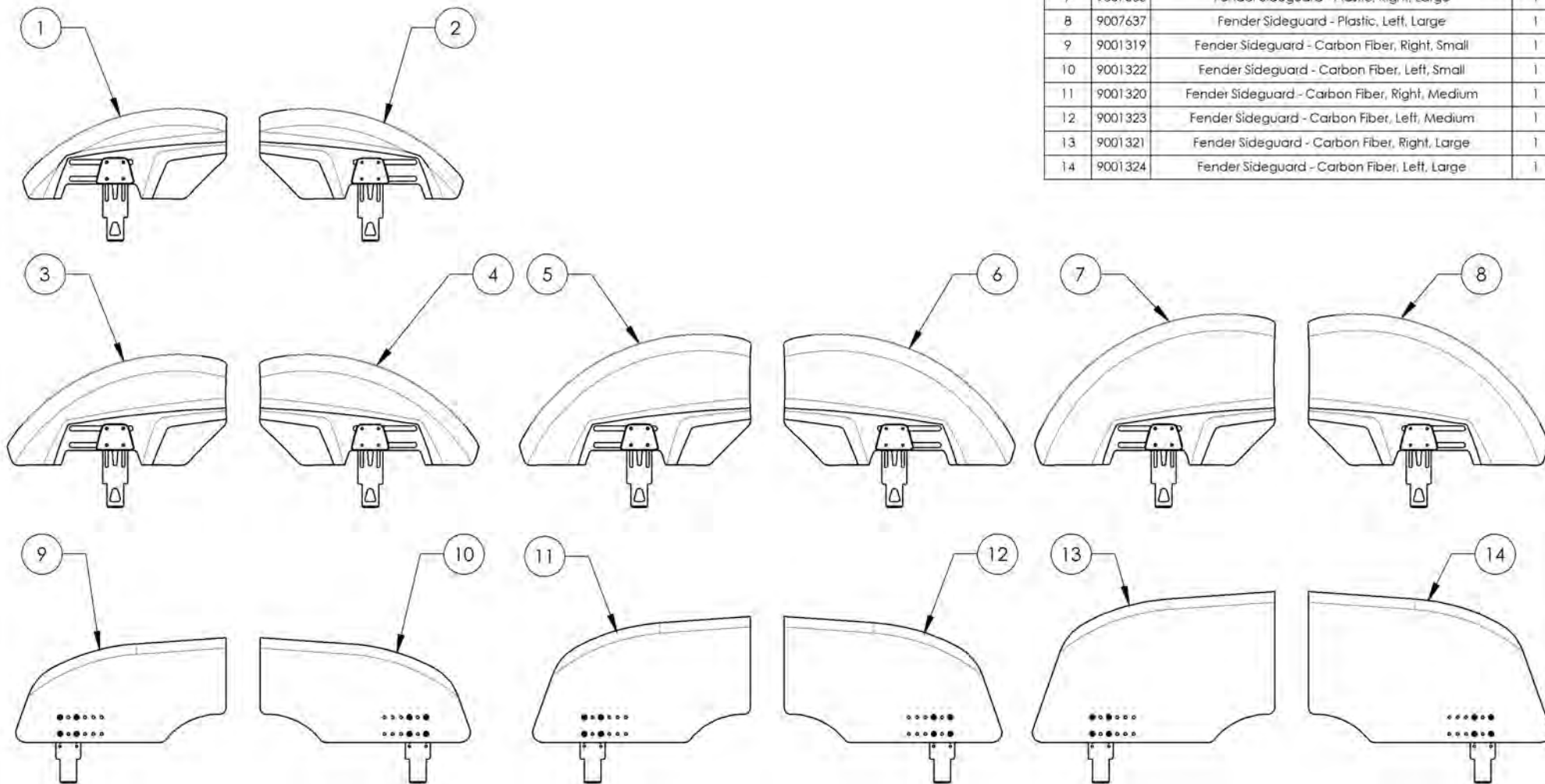
9001294  
 Side Guard - Carbon Fiber, Fixed, Left, Large



MAKE SURE TO HAVE YOUR SERIAL NUMBER  
 NEARBY WHEN ORDERING PARTS FOR YOUR  
 MOTION COMPOSITES WHEELCHAIR

## Sideguard Catalogue Fender Sideguards

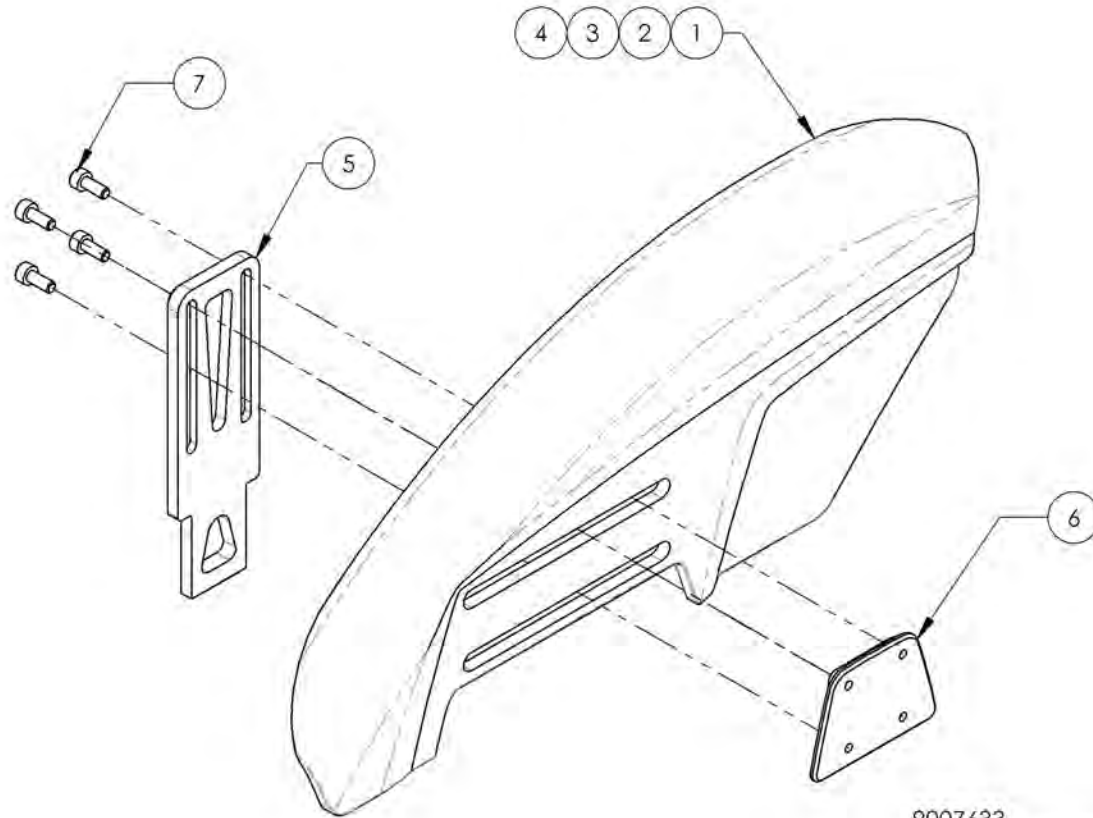
ITEM NO.	PARTNO	DESCRIPTION	QTY.
1	9007630	Fender Sideguard - Plastic, Right, X-Small	1
2	9007634	Fender Sideguard - Plastic, Left, X-Small	1
3	9007631	Fender Sideguard - Plastic, Right, Small	1
4	9007635	Fender Sideguard - Plastic, Left, Small	1
5	9007632	Fender Sideguard - Plastic, Right, Medium	1
6	9007636	Fender Sideguard - Plastic, Left, Medium	1
7	9007633	Fender Sideguard - Plastic, Right, Large	1
8	9007637	Fender Sideguard - Plastic, Left, Large	1
9	9001319	Fender Sideguard - Carbon Fiber, Right, Small	1
10	9001322	Fender Sideguard - Carbon Fiber, Left, Small	1
11	9001320	Fender Sideguard - Carbon Fiber, Right, Medium	1
12	9001323	Fender Sideguard - Carbon Fiber, Left, Medium	1
13	9001321	Fender Sideguard - Carbon Fiber, Right, Large	1
14	9001324	Fender Sideguard - Carbon Fiber, Left, Large	1



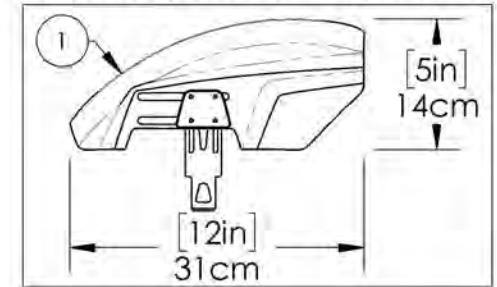
MAKE SURE TO HAVE YOUR SERIAL NUMBER  
NEARBY WHEN ORDERING PARTS FOR YOUR  
MOTION COMPOSITES WHEELCHAIR

**9007630 9007633**  
**Fender Sideguard - Plastic, Right**

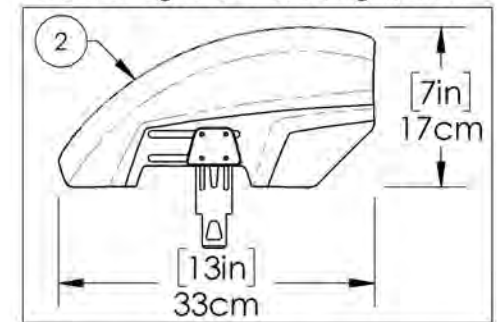
ITEM NO.	PARTNO	DESCRIPTION	9007630 /QTY.	9007631 /QTY.	9007632 /QTY.	9007633 /QTY.
1	51385	REMOVABLE FENDERED PLASTIC SIDEGUARDS X-SMALL, RIGHT	1	-	-	-
2	51386	REMOVABLE FENDERED PLASTIC SIDEGUARDS SMALL, RIGHT	-	1	-	-
3	51387	REMOVABLE FENDERED PLASTIC SIDEGUARDS MEDIUM, RIGHT	-	-	1	-
4	51388	REMOVABLE FENDERED PLASTIC SIDEGUARDS LARGE, RIGHT	-	-	-	1
5	51393	FENDERED SIDEGUARDS ADJUSTING PLATE	1	1	1	1
6	51395	FENDERED SIDEGUARDS INNER PLATE	1	1	1	1
7	90724	SOCKET CAP SCREW M4X0.7 X 10mm LONG, FULLY THREADED + BLUE TREADLOCKER - BLACK ZINC	4	4	4	4



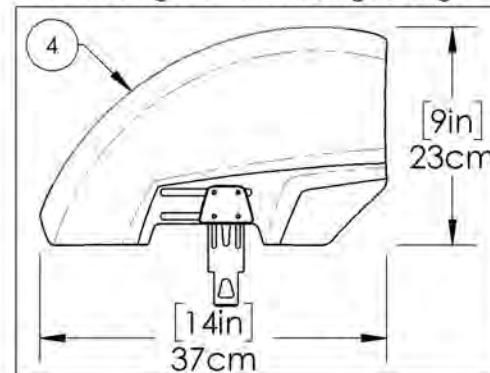
9007630  
 Fender Sideguard - Plastic, Right, X-Small



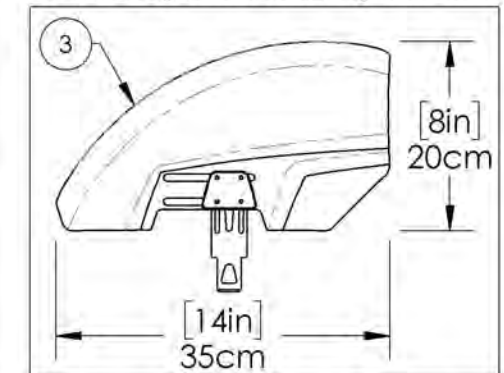
9007631  
 Fender Sideguard - Plastic, Right, Small



9007633  
 Fender Sideguard - Plastic, Right, Large



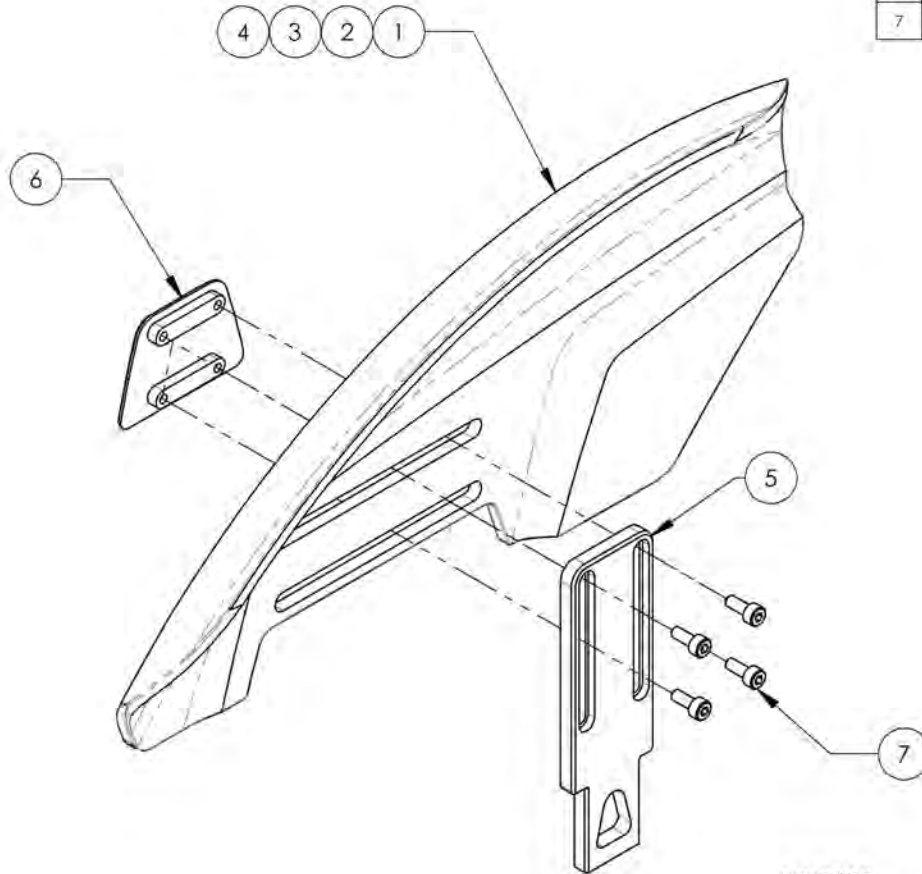
9007632  
 Fender Sideguard - Plastic, Right, Medium



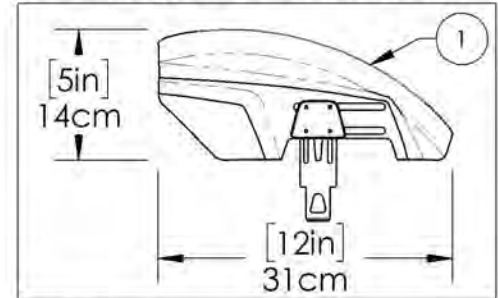
MAKE SURE TO HAVE YOUR SERIAL NUMBER  
 NEARBY WHEN ORDERING PARTS FOR YOUR  
 MOTION COMPOSITES WHEELCHAIR

**9007634 9007637**  
**Fender Sideguard - Plastic, Left**

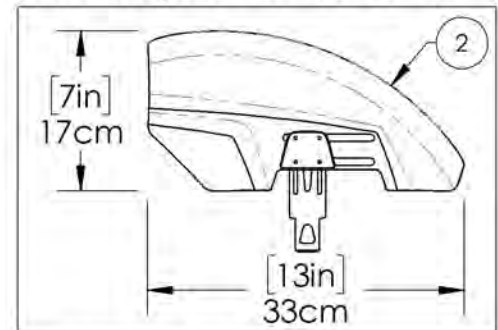
ITEM NO.	PARTNO	DESCRIPTION	9007634 /QTY.	9007635 /QTY.	9007636 /QTY.	9007637 /QTY.
1	51389	REMOVABLE FENDERED PLASTIC SIDEGUARDS X-SMALL, LEFT	1	-	-	-
2	51390	REMOVABLE FENDERED PLASTIC SIDEGUARDS SMALL, LEFT	-	1	-	-
3	51391	REMOVABLE FENDERED PLASTIC SIDEGUARDS MEDIUM, LEFT	-	-	1	-
4	51392	REMOVABLE FENDERED PLASTIC SIDEGUARDS LARGE, LEFT	-	-	-	1
5	51393	FENDERED SIDEGUARDS ADJUSTING PLATE	1	1	1	1
6	51395	FENDERED SIDEGUARDS INNER PLATE	1	1	1	1
7	90724	SOCKET CAP SCREW M4X0.7 X 10mm LONG, FULLY THREADED + BLUE TREADLOCKER - BLACK ZINC	4	4	4	4



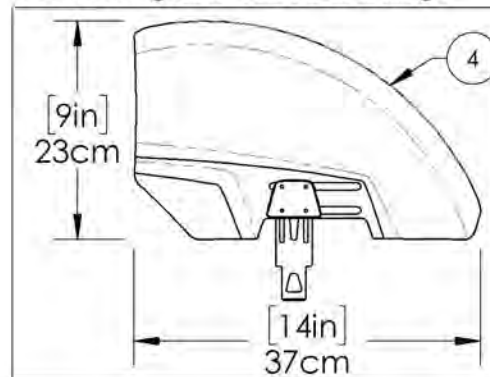
9007634  
 Fender Sideguard - Plastic, Left, X-Small



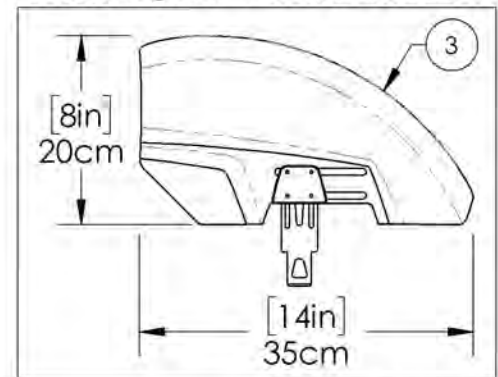
9007635  
 Fender Sideguard - Plastic, Left, Small



9007637  
 Fender Sideguard - Plastic, Left, Large



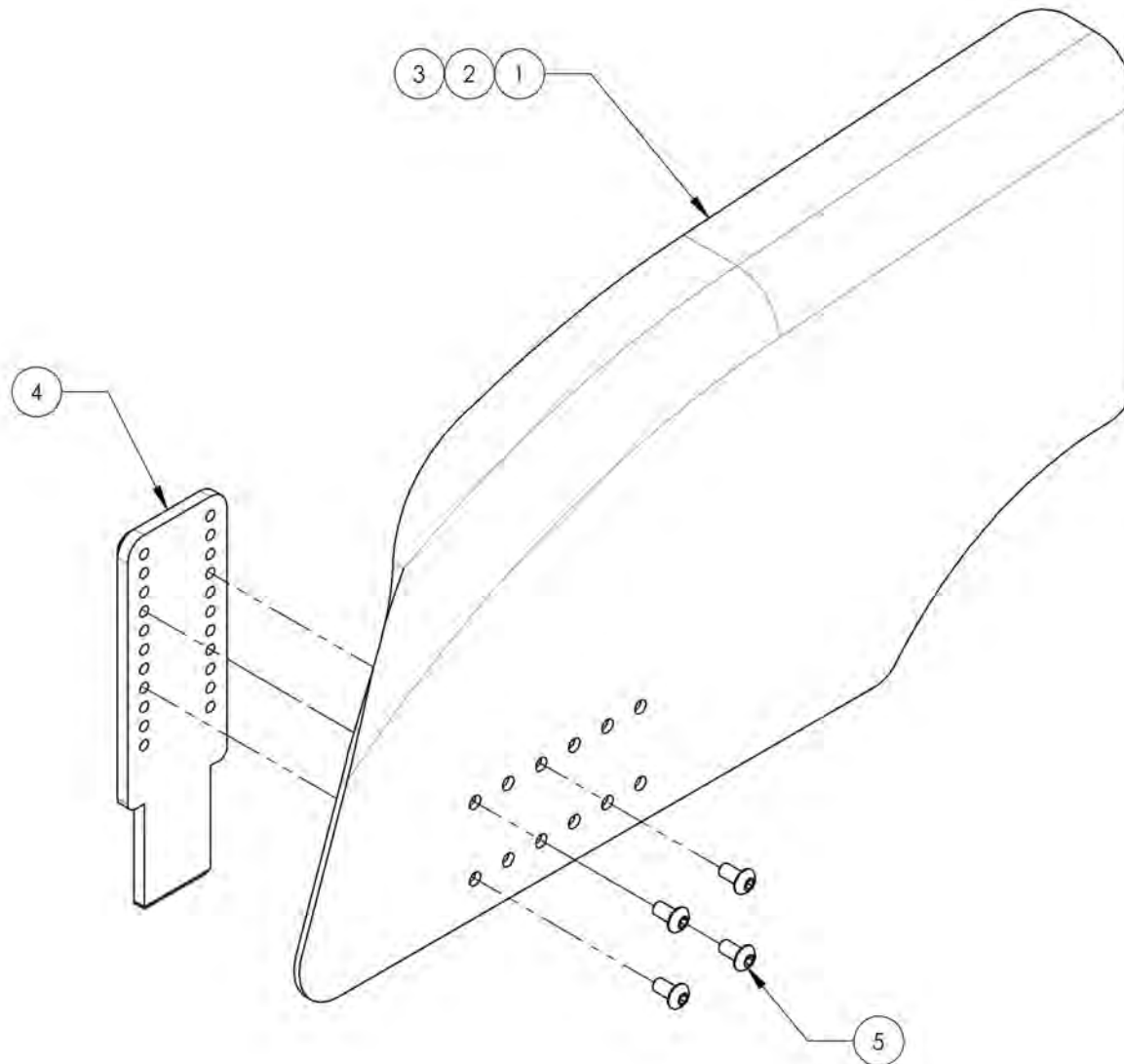
9007636  
 Fender Sideguard - Plastic, Left, Medium



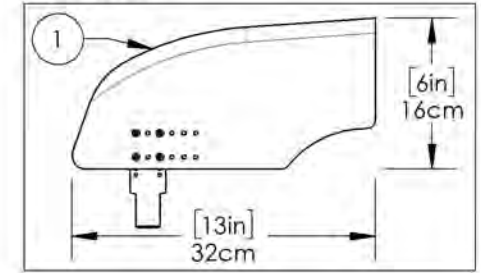
MAKE SURE TO HAVE YOUR SERIAL NUMBER NEARBY WHEN ORDERING PARTS FOR YOUR MOTION COMPOSITES WHEELCHAIR

**9001319 9001321**  
**Fender Sideguard - Carbon Fiber, Right**

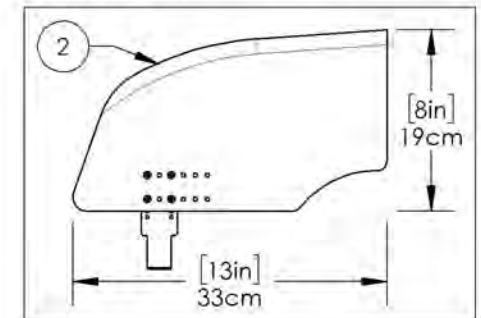
ITEM NO.	PART NO.	DESCRIPTION	9001319 /QTY.	9001320 /QTY.	9001321 /QTY.
1	51106	CARBON FENDER SIDEGUARD SMALL, RIGHT (H-160mm L-321mm)	1	-	-
2	51108	CARBON FENDER SIDEGUARD MEDIUM, RIGHT (H-192mm L-332mm)	-	1	-
3	51110	CARBON FENDER SIDEGUARD LARGE, RIGHT (H-230mm L-370mm)	-	-	1
4	51118	MUDGUARD & SIDEGUARD ADJUSTING PLATE	1	1	1
5	9063	BUTTON HEAD CAP SCREW M4X0.7 X 8mm LONG, FULLY THREADED + BLUE THREADLOCKER - BLACK ZINC	4	4	4



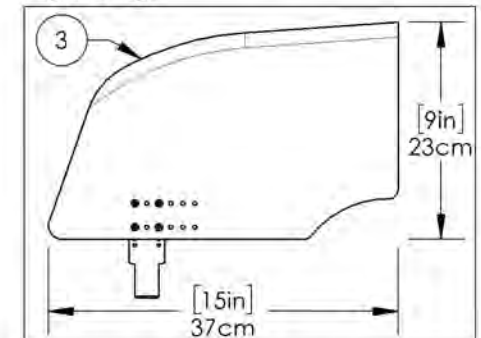
9001319  
 Fender Sideguard - Carbon Fiber,  
 Right, Small



9001320  
 Fender Sideguard - Carbon Fiber,  
 Right, Medium



9001321  
 Fender Sideguard - Carbon Fiber,  
 Right, Large

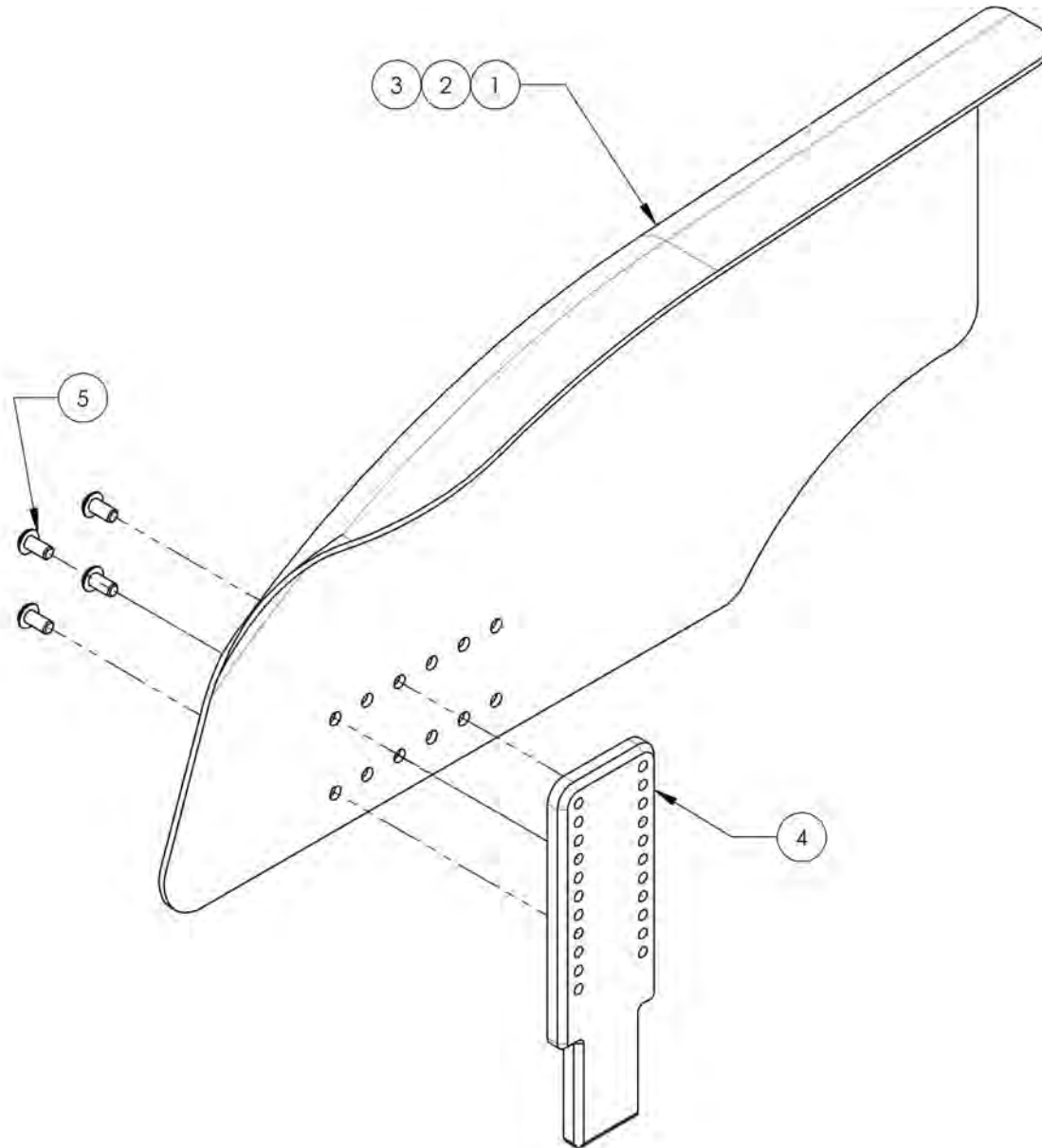


MAKE SURE TO HAVE YOUR SERIAL NUMBER  
 NEARBY WHEN ORDERING PARTS FOR YOUR  
 MOTION COMPOSITES WHEELCHAIR

**9001322\_9001324**

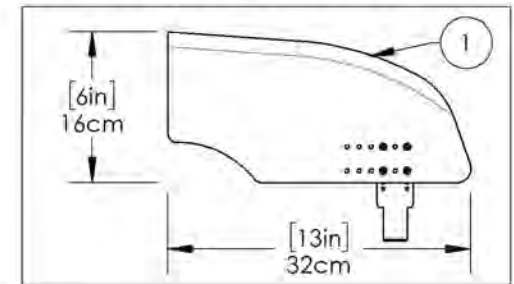
**Fender Sideguard - Carbon Fiber, Left**

ITEM NO.	PART NO.	DESCRIPTION	9001322 /QTY.	9001323 /QTY.	9001324 /QTY.
1	51107	CARBON FENDER SIDEGUARD SMALL, LEFT (H-160mm L-321mm)	1	-	-
2	51109	CARBON FENDER SIDEGUARD MEDIUM, LEFT (H-192mm L-332mm)	-	1	-
3	51111	CARBON FENDER SIDEGUARD LARGE, LEFT (H-230mm L-370mm)	-	-	1
4	51118	MUDGUARD & SIDEGUARD ADJUSTING PLATE	1	1	1
5	90631	BUTTON HEAD CAP SCREW M4X0.7 X 8mm LONG, FULLY THREADED + BLUE THREADLOCKER - BLACK ZINC	4	4	4



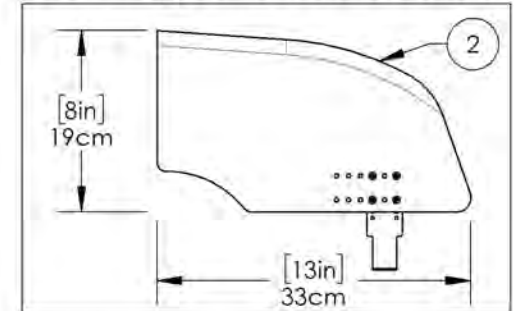
**9001322**

**Fender Sideguard - Carbon Fiber, Left, Small**



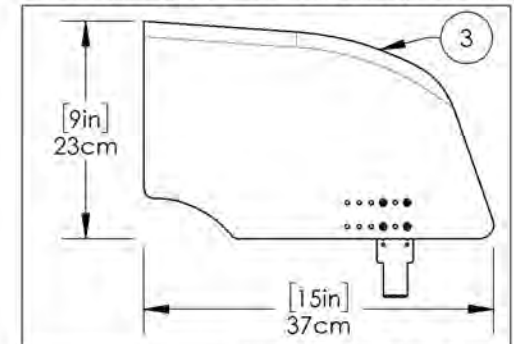
**9001323**

**Fender Sideguard - Carbon Fiber, Left, Medium**



**9001324**

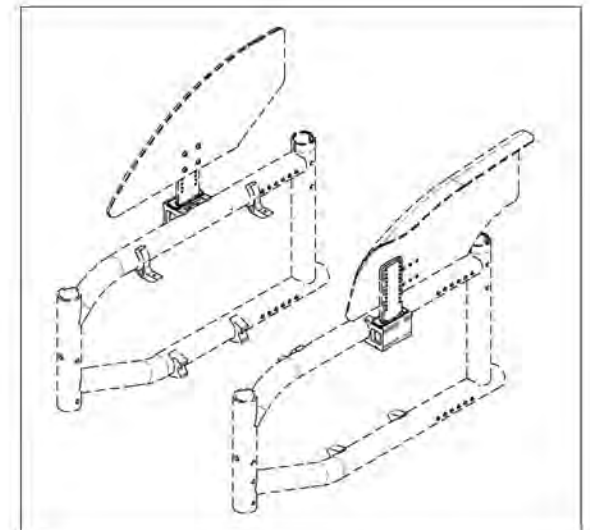
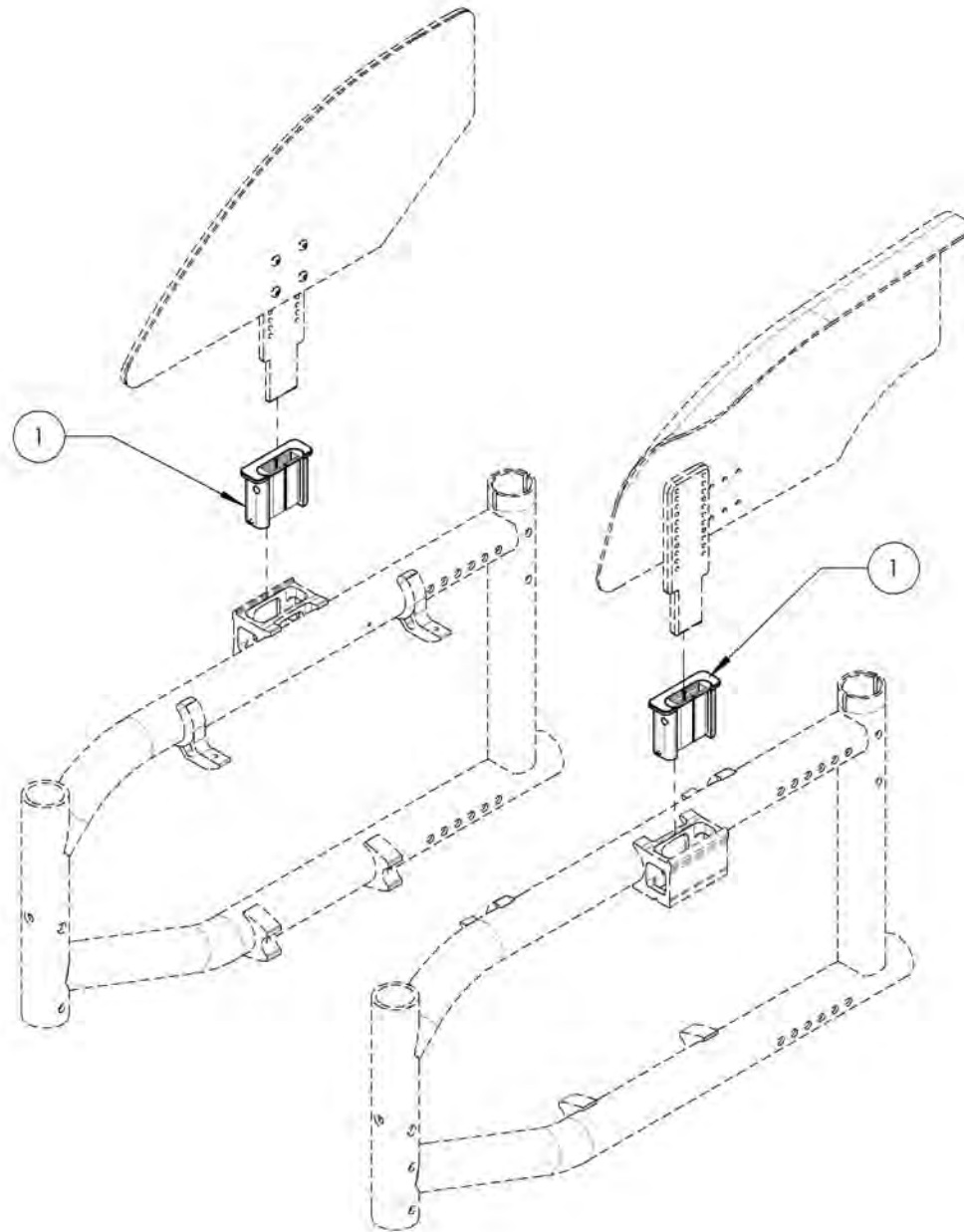
**Fender Sideguard - Carbon Fiber, Left, Large**



MAKE SURE TO HAVE YOUR SERIAL NUMBER NEARBY WHEN ORDERING PARTS FOR YOUR MOTION COMPOSITES WHEELCHAIR

**Sideguard Catalogue**  
**Plastic Insert for V2 Receiver**

ITEM NO.	PARTNO	DESCRIPTION	QTY
1	9001307	Mud Guard & Plastic Side Guard - Plastic Insert for V2 Receiver	2

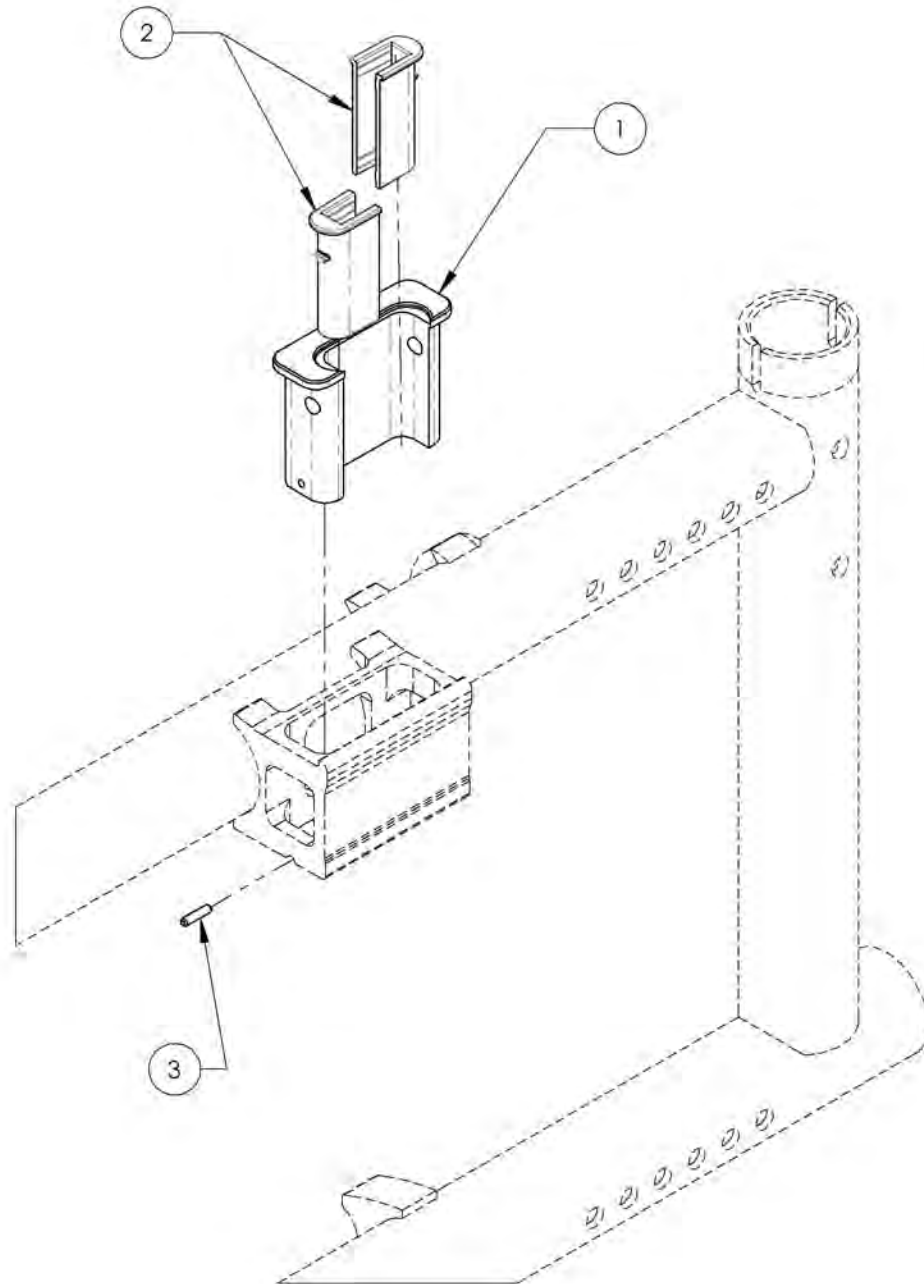


MAKE SURE TO HAVE YOUR SERIAL NUMBER  
 NEARBY WHEN ORDERING PARTS FOR YOUR  
 MOTION COMPOSITES WHEELCHAIR



**9001307**  
**Mud Guard & Plastic Side Guard - Plastic Insert for V2 Receiver**

ITEM NO.	PARTNO	DESCRIPTION	9001307 /QTY.
1	51037	SIDE GUARD PLASTIC INSERT FOR V2 RECEIVER	1
2	33114	V2 ARMREST SLIM CLAMP SLEEVE	2
3	90914	18-8 SS Slotted Spring Pin $\varnothing$ 2mm/ 10mm L	1



MAKE SURE TO HAVE YOUR SERIAL NUMBER  
NEARBY WHEN ORDERING PARTS FOR YOUR  
MOTION COMPOSITES WHEELCHAIR

**Sideguard Catalogue**  
**Sideguards - Cloth**

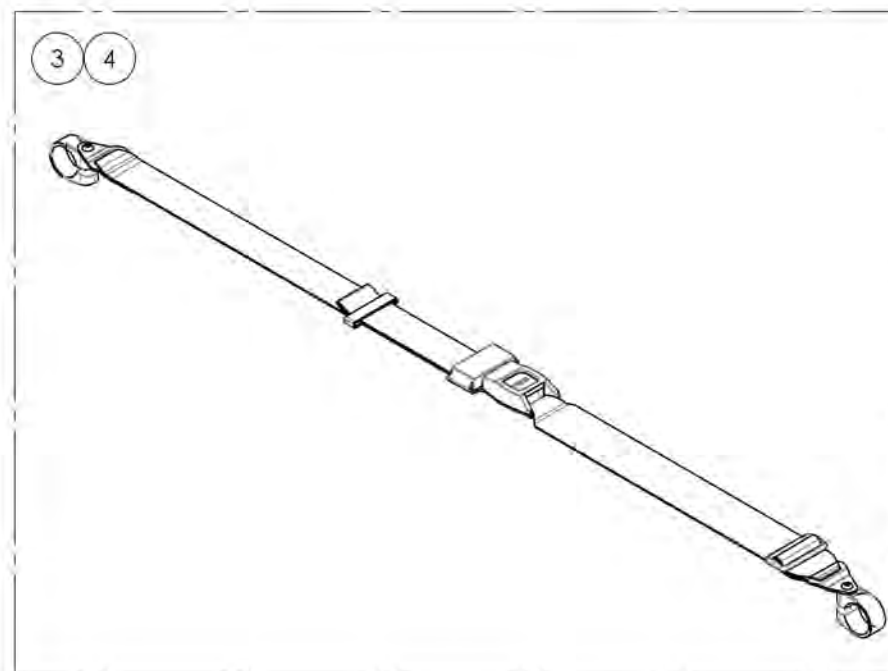
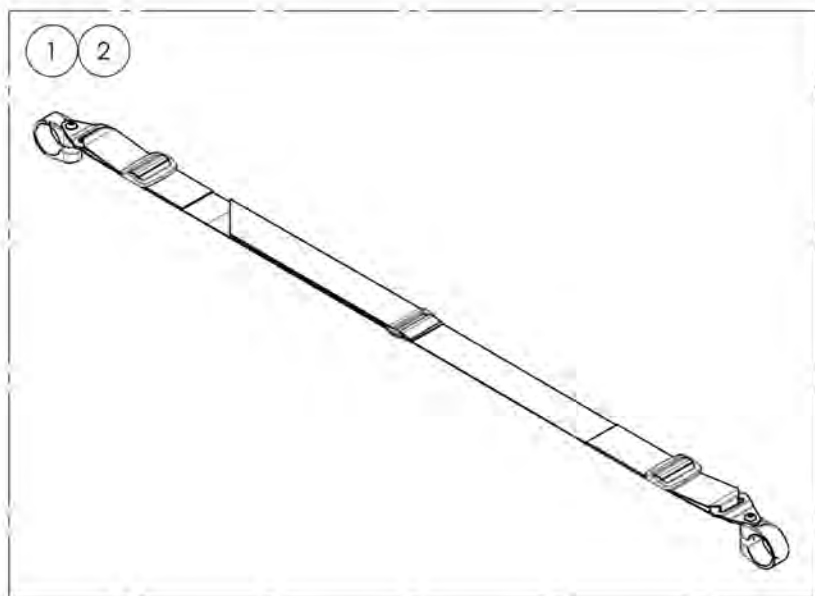
ITEM NO.	PARTNO	DESCRIPTION	QTY
1	9002523	Side Guard - Clothes	1



MAKE SURE TO HAVE YOUR SERIAL NUMBER  
NEARBY WHEN ORDERING PARTS FOR YOUR  
MOTION COMPOSITES WHEELCHAIR

**Seatbelt Catalogue**  
**Positioning Seatbelts**

ITEM NO.	PARTNO	DESCRIPTION	QTY.
1	9001587	Positioning Seatbelt - Velcro Adjustable 35 in	1
2	9002138	Positioning Seatbelt - Velcro Adjustable 60 in	1
3	9001588	Positioning Seatbelt - Auto Buckle 35 in	1
4	9002139	Positioning Seatbelt - Auto Buckle 60 in	1



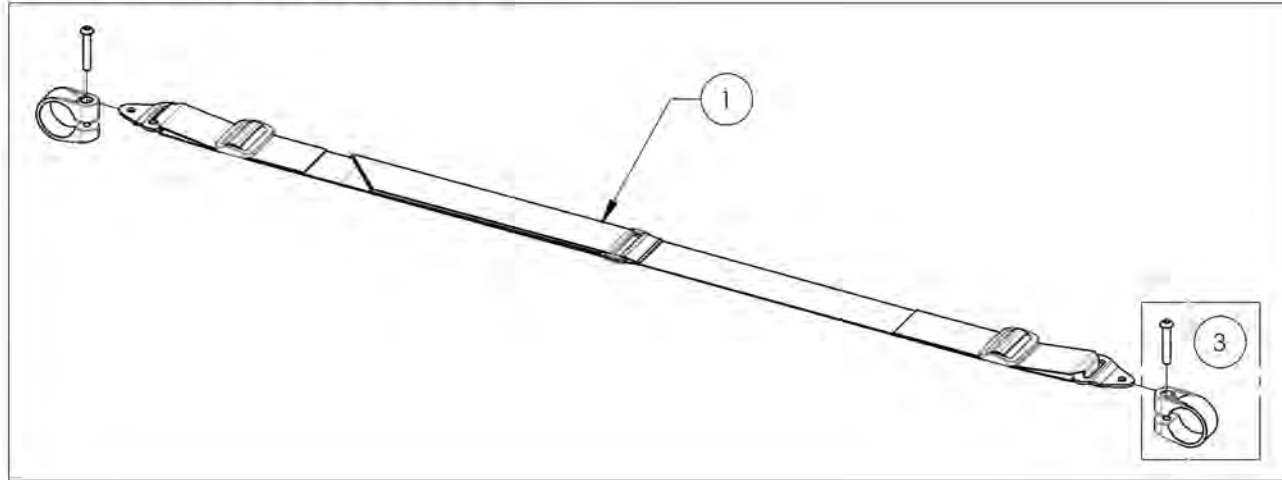
BOTH ITEMS ALREADY INCLUDE THE APPROPRIATE  
 NUMBER OF COMPOSITE CLAMPS

MAKE SURE TO HAVE YOUR SERIAL NUMBER  
 NEARBY WHEN ORDERING PARTS FOR YOUR  
 MOTION COMPOSITES WHEELCHAIR

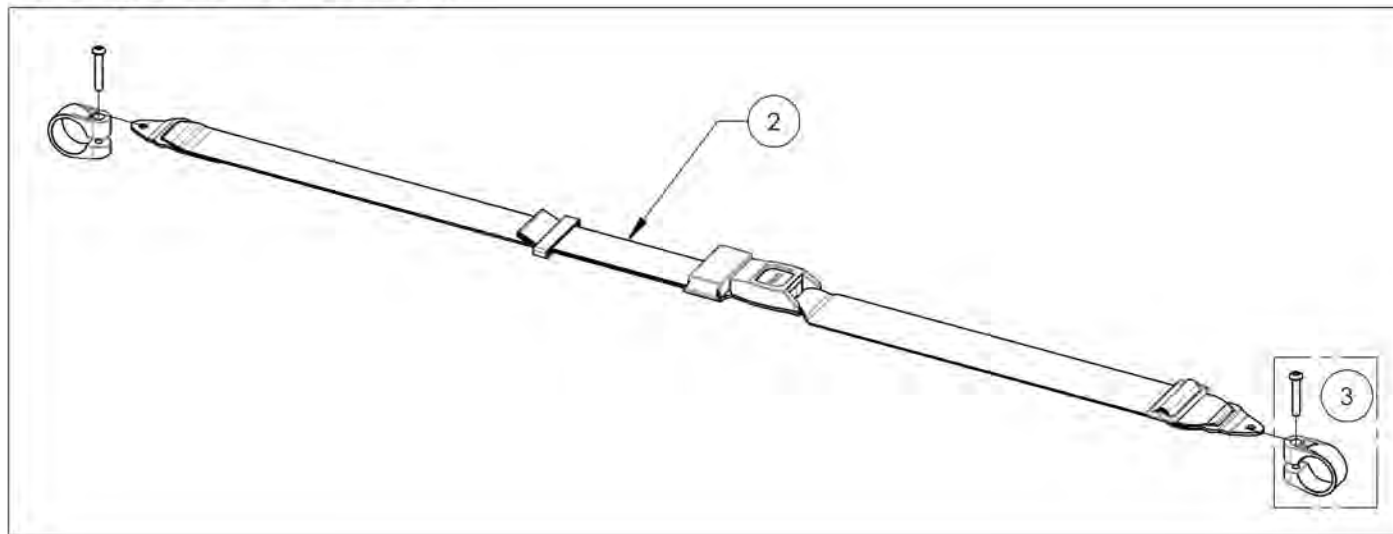
**9001587 9001588**  
**Positioning Seatbelts 35 in**

ITEM NO.	PARTNO	DESCRIPTION	9001587 /QTY.	9001588 /QTY.
1	51589	VELCRO SEATBELT 35in - ASSEMBLY	1	-
2	51027	POSITIONNING SEAT BELT ASSEMBLY	-	1
3	60500	FRAME-SAVER ASSEMBLY (PAIR)	1	1

9001587  
Positioning Seatbelt - Velcro Adjustable 35 in



9001588  
Positioning Seatbelt - Auto Buckle 35 in

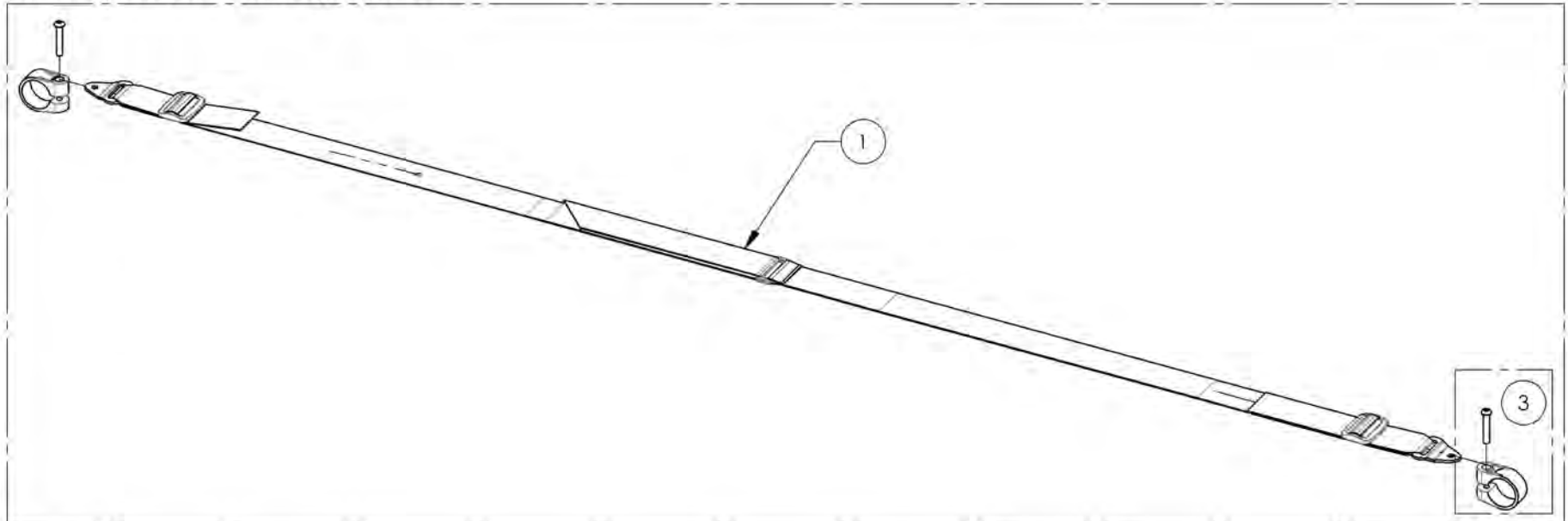


MAKE SURE TO HAVE YOUR SERIAL NUMBER  
NEARBY WHEN ORDERING PARTS FOR YOUR  
MOTION COMPOSITES WHEELCHAIR

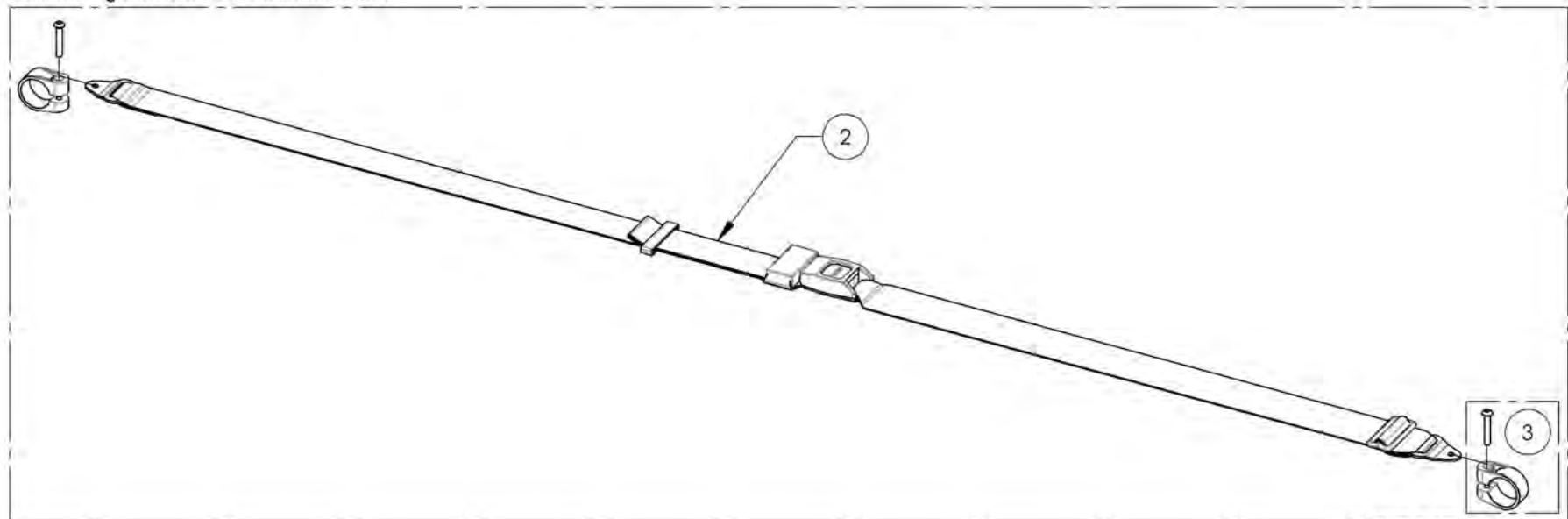
**9002138 9002139**  
**Positioning Seatbelts 60 in**

ITEM NO.	PARTNO	DESCRIPTION	9002138 /QTY.	9002139 /QTY.
1	51584	VELCRO SEATBELT 60in - ASSEMBLY	1	-
2	51583	POSITIONING SEAT BELT 60in - ASSEMBLY	-	1
3	60500	FRAME SAVER ASSEMBLY (PAIR)	1	1

9002138  
 Positioning Seatbelt - Velcro Adjustable 60 in



9002139  
 Positioning Seatbelt - Auto Buckle 60 in



MAKE SURE TO HAVE YOUR SERIAL NUMBER  
 NEARBY WHEN ORDERING PARTS FOR YOUR  
 MOTION COMPOSITES WHEELCHAIR

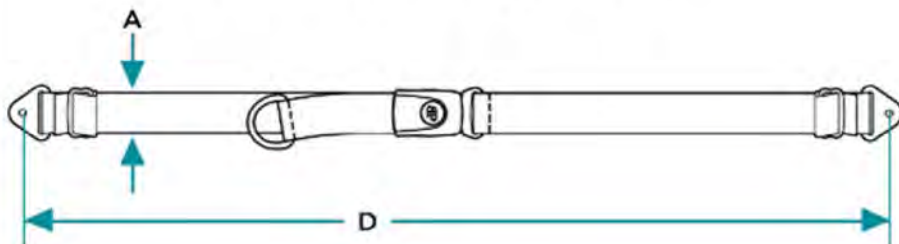
**Seatbelts Catalogue**  
**Positioning Seatbelts - Bodypoint**

ITEMS 1-8 ALREADY INCLUDE THE APPROPRIATE  
 NUMBER OF COMPOSITE CLAMPS

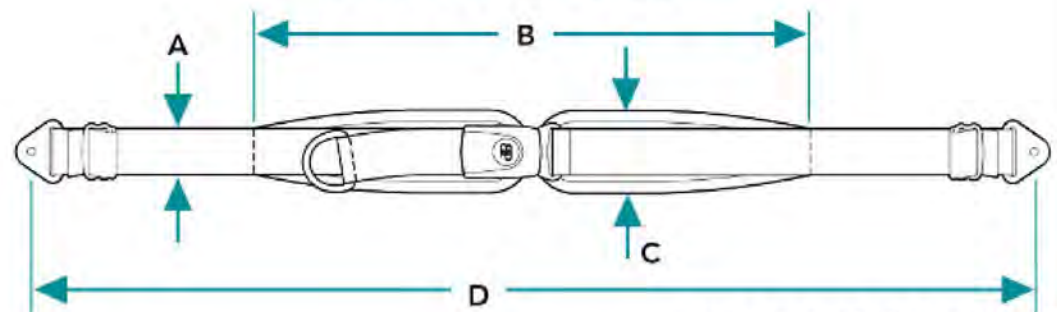


Item#	Part#	Description	A	B	C	D
1	9002221	Positioning Seatbelt - Bodypoint 2 Point, Non-Padded, Medium	4cm (1 ½")	-	-	142cm (56")
2	9002222	Positioning Seatbelt - Bodypoint 2 Point, Non-Padded, Large	5cm (2")	-	-	155cm (61")
3	9002223	Positioning Seatbelt - Bodypoint 2 Point, Padded, Small	4cm (1 ½")	36cm (14")	5.5cm (2 ¼")	130cm (51")
4	9002224	Positioning Seatbelt - Bodypoint 2 Point, Padded, Medium	4cm (1 ½")	46cm (18")	5.5cm (2 ¼")	142cm (56")
5	9002225	Positioning Seatbelt - Bodypoint 2 Point, Padded, Large	5cm (2")	62cm (24 ½")	7cm (2 ¾")	155cm (61")
6	9002226	Positioning Seatbelt - Bodypoint 4 Point, Padded, Small	4cm (1 ½")	36cm (14")	5.5cm (2 ¼")	130cm (51")
7	9002227	Positioning Seatbelt - Bodypoint 4 Point, Padded, Medium	4cm (1 ½")	46cm (18")	5.5cm (2 ¼")	142cm (56")
8	9002228	Positioning Seatbelt - Bodypoint 4 Point, Padded, Large	5cm (2")	62cm (24 ½")	7cm (2 ¾")	155cm (61")

**Non-Padded Hip Belts**



**Padded Hip Belts**



MAKE SURE TO HAVE YOUR SERIAL NUMBER  
 NEARBY WHEN ORDERING PARTS FOR YOUR  
 MOTION COMPOSITES WHEELCHAIR



**9002221\_9002228**  
**Positioning Seatbelts - Bodypoint**

ITEM NO.	PARTNO	DESCRIPTION	9002221 /QTY.	9002222 /QTY.	9002223 /QTY.	9002224 /QTY.	9002225 /QTY.	9002226 /QTY.	9002227 /QTY.	9002228 /QTY.	REPLACEMENT PART/QTY.
1	51131	POSITIONING SEATBELT - BODYPOINT 2 POINT, NON PADDED MEDIUM	1	-	-	-	-	-	-	-	-
2	51211	POSITIONING SEATBELT - BODYPOINT 2 POINT, NON PADDED LARGE	-	1	-	-	-	-	-	-	-
3	51132	POSITIONING SEATBELT - BODYPOINT 2 POINT, PADDED SMALL	-	-	1	-	-	-	-	-	-
4	51133	POSITIONING SEATBELT - BODYPOINT 2 POINT, PADDED MEDIUM	-	-	-	1	-	-	-	-	-
5	51134	POSITIONING SEATBELT - BODYPOINT 2 POINT, PADDED LARGE	-	-	-	-	1	-	-	-	-
6	51212	POSITIONING SEATBELT - BODYPOINT 4 POINT, PADDED SMALL	-	-	-	-	-	1	-	-	-
7	51135	POSITIONING SEATBELT - BODYPOINT 4 POINT, PADDED MEDIUM	-	-	-	-	-	-	1	-	-
8	51136	POSITIONING SEATBELT - BODYPOINT 4 POINT, PADDED LARGE	-	-	-	-	-	-	-	1	-
9	60500	FRAME SAVER ASSEMBLY (PAIR)	1	1	1	1	1	2	2	2	1

9002221 To 9002222  
 Positioning Seatbelt - Bodypoint 2 Point,  
 Non Padded, Medium, Large



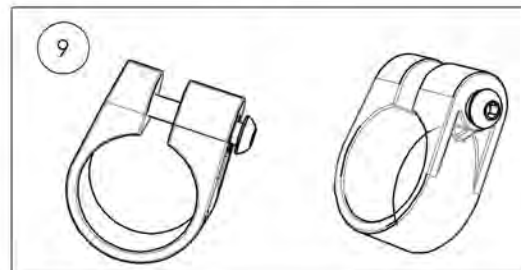
9002223 To 9002225  
 Positioning Seatbelt - Bodypoint 2 Point,  
 Padded, Small, Medium, Large



9002226 To 9002228  
 Positioning Seatbelt - Bodypoint 4 Point,  
 Padded, Small, Medium, Large



+



MAKE SURE TO HAVE YOUR SERIAL NUMBER  
 NEARBY WHEN ORDERING PARTS FOR YOUR  
 MOTION COMPOSITES WHEELCHAIR

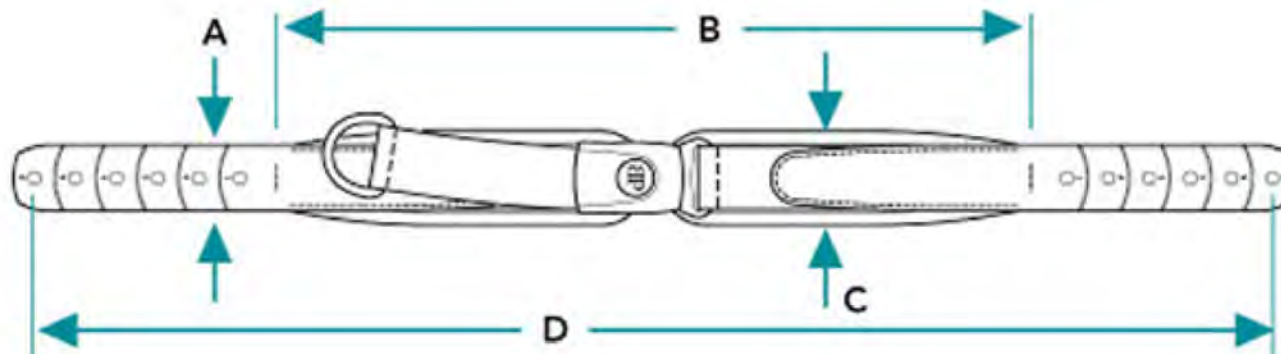




**ALL ITEMS ALREADY INCLUDE A PAIR OF CLAMPS**



Item#	Part#	Description	A	B	C	D
1	9007790	Hip Belt - Bodypoint Evoflex, Rehab Latch, Medium 46cm (18in)	2.5cm (1")	38cm (15")	5cm (2")	63cm (24 ¾")
2	9007791	Hip Belt - Bodypoint Evoflex, Rehab Latch, Large 62cm (24in)	4cm (1 ½")	46cm (18")	5.5cm (2 ¼")	76cm (29 ¾")
3	9007792	Hip Belt - Bodypoint Evoflex, Swivel, Small 38cm (15in)	4cm (1 ½")	46cm (18")	5.5cm (2 ¼")	76cm (29 ¾")
4	9007793	Hip Belt - Bodypoint Evoflex, Swivel, Medium 46cm (18in)	5cm (2")	62cm (24 ½")	7cm (2 ¾")	96cm (37 ¾")



MAKE SURE TO HAVE YOUR SERIAL NUMBER  
 NEARBY WHEN ORDERING PARTS FOR YOUR  
 MOTION COMPOSITES WHEELCHAIR

**9007790\_9007793**  
**Hip Belt - Bodypoint Evoflex**



ITEM NO.	PARTNO	DESCRIPTION	9007790 /QTY.	9007791 /QTY.	9007792 /QTY.	9007793 /QTY.
1	51417	BODYPOINT HIP BELT EVOFLEX REHAB LATCH M46	1	-	-	-
2	51418	BODYPOINT HIP BELT EVOFLEX REHAB LATCH L62	-	1	-	-
3	51415	BODYPOINT HIP BELT EVOFLEX SWIVEL S38	-	-	1	-
4	51416	BODYPOINT HIP BELT EVOFLEX SWIVEL M46	-	-	-	1
5	51419	BODYPOINT BAND CLAMP 32mm (PAIR)	1	1	1	1

9007790 & 9007791  
 Hip Belt - Bodypoint Evoflex, Rehab Latch  
 Medium 46cm (18in) & Large 62cm (24in)

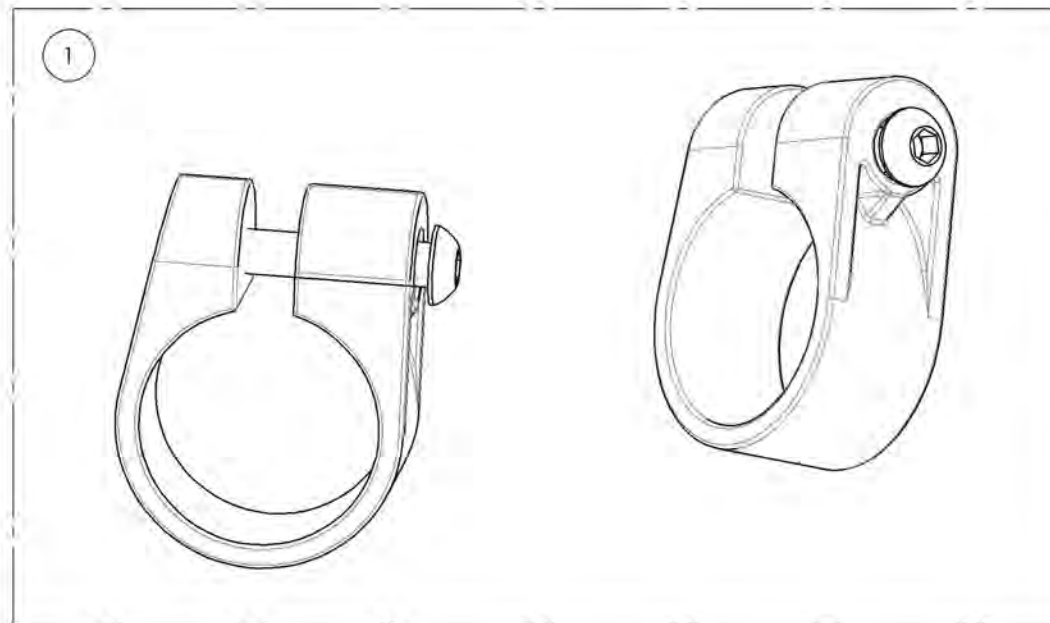
9007792 & 9007793  
 Hip Belt - Bodypoint Evoflex, Swivel  
 Small 38cm (15in) & Medium 46cm (18in)



MAKE SURE TO HAVE YOUR SERIAL NUMBER  
 NEARBY WHEN ORDERING PARTS FOR YOUR  
 MOTION COMPOSITES WHEELCHAIR

**Seatbelt Catalogue**  
**Positioning Seatbelts - Additional Hardware (2 Composite Clamps)**

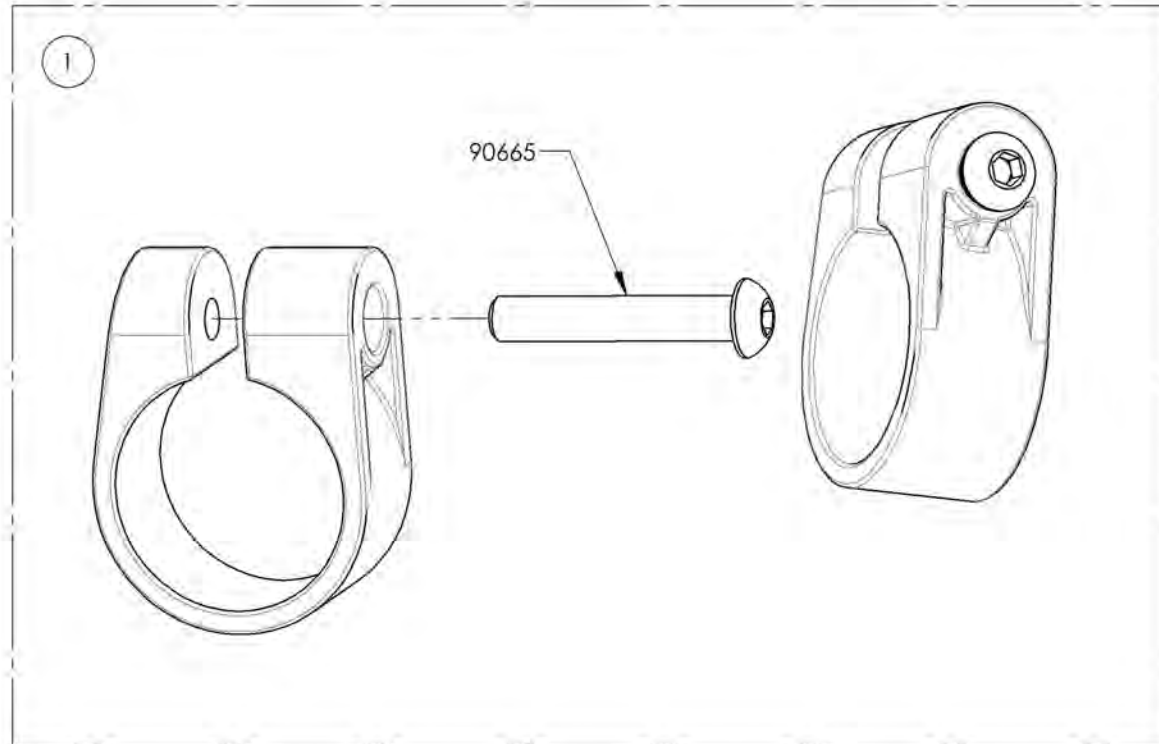
ITEM NO.	PARTNO	DESCRIPTION	QTY.
1	9002220	Positioning Seatbelt - Additional Hardware (2 Composite Clamps)	1



MAKE SURE TO HAVE YOUR SERIAL NUMBER  
NEARBY WHEN ORDERING PARTS FOR YOUR  
MOTION COMPOSITES WHEELCHAIR

**9002220**  
**Positioning Seatbelts - Additional Hardware (2 Composite Clamps)**

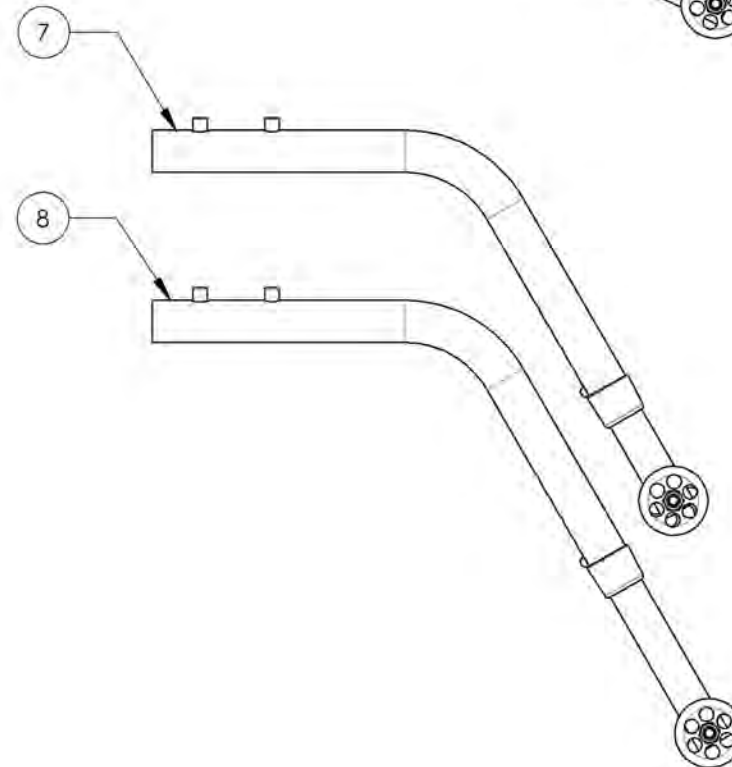
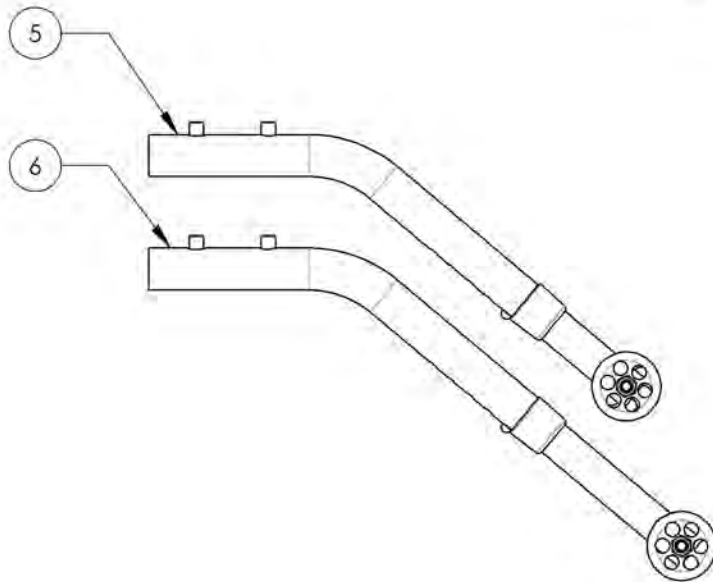
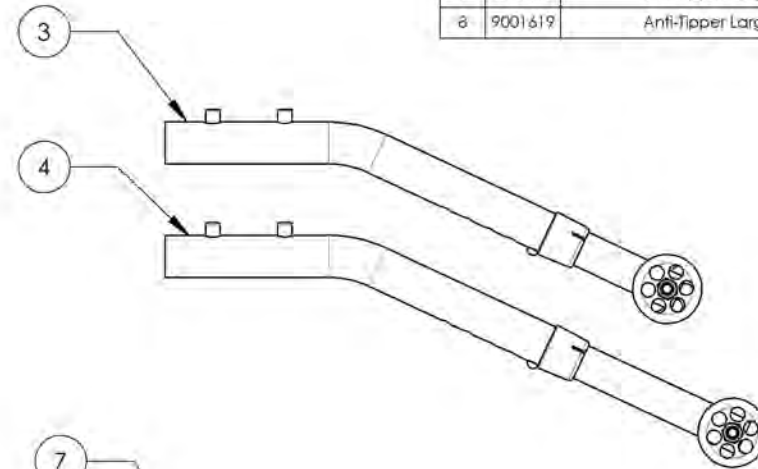
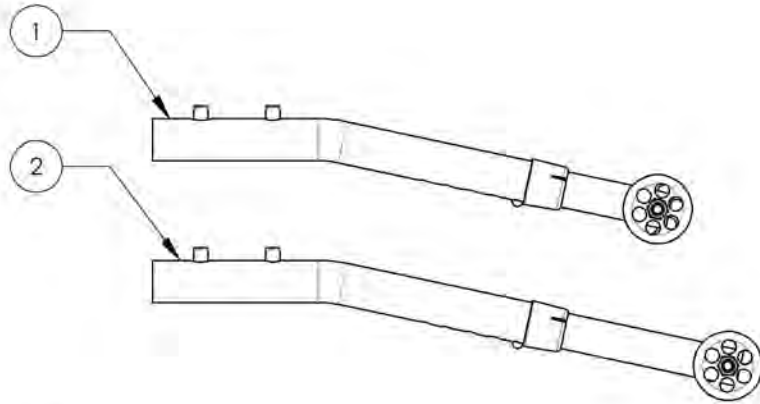
ITEM NO.	PARTNO	DESCRIPTION	9002220 /QTY.
1	60500	FRAME SAVER ASSEMBLY (PAIR)	1



MAKE SURE TO HAVE YOUR SERIAL NUMBER  
NEARBY WHEN ORDERING PARTS FOR YOUR  
MOTION COMPOSITES WHEELCHAIR

**Accessories Catalogue**  
**Anti-tippers**

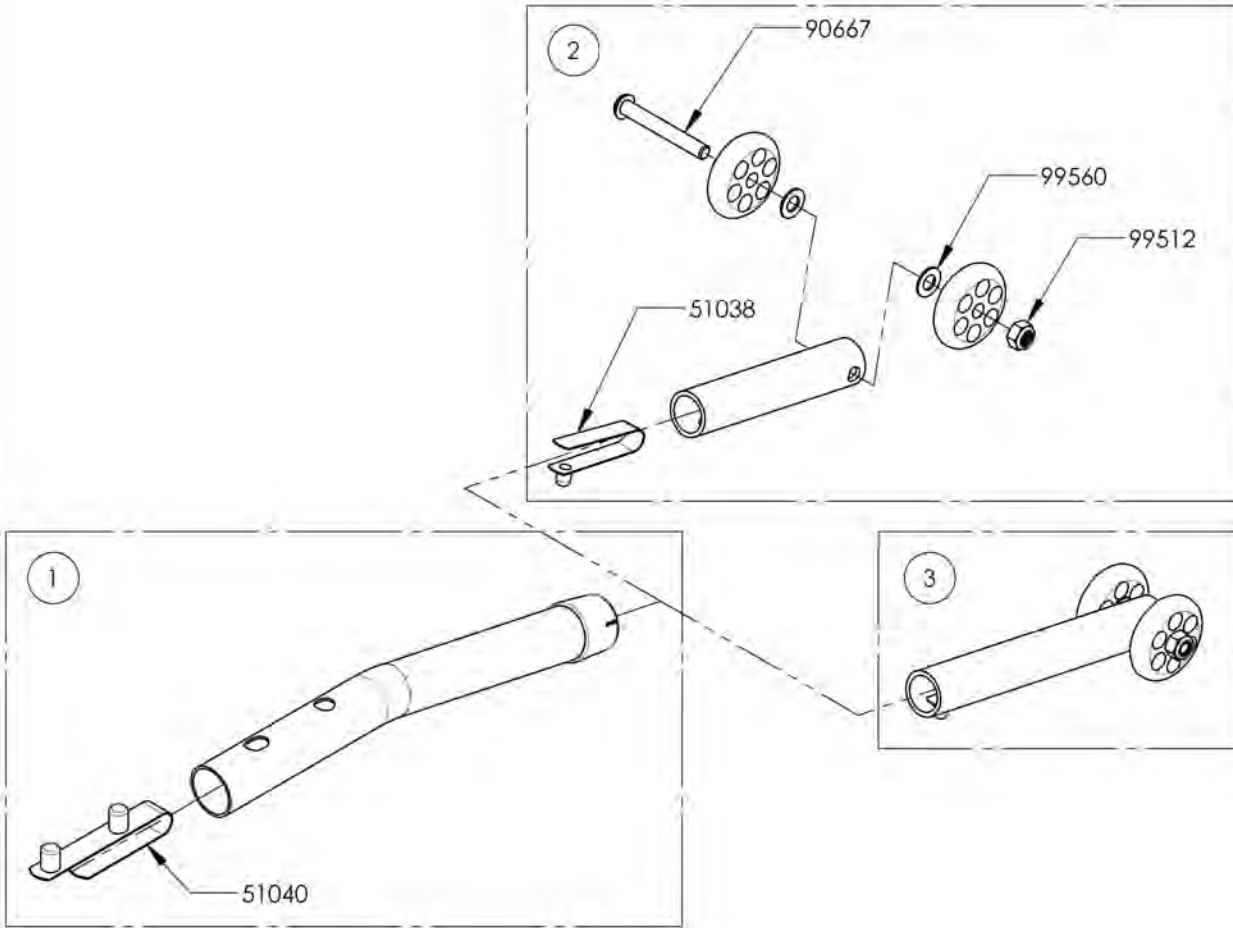
ITEM NO.	PARTNO	DESCRIPTION	QTY.
1	9001620	Anti-Tipper X- Small + Short Extension	1
2	9001621	Anti-Tipper X- Small + Long Extension	1
3	9001614	Anti-Tipper Small + Short Extension	1
4	9001615	Anti-Tipper Small + Long Extension	1
5	9001616	Anti-Tipper Medium + Short Extension	1
6	9001617	Anti-Tipper Medium + Long Extension	1
7	9001618	Anti-Tipper Large + Short Extension	1
8	9001619	Anti-Tipper Large + Long Extension	1



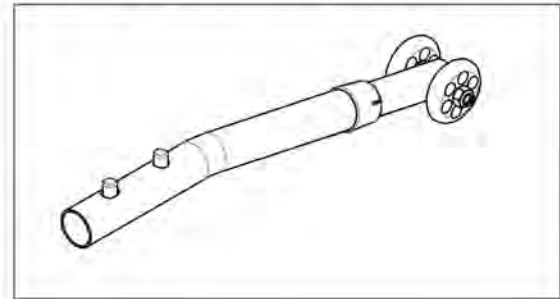
MAKE SURE TO HAVE YOUR SERIAL NUMBER  
NEARBY WHEN ORDERING PARTS FOR YOUR  
MOTION COMPOSITES WHEELCHAIR

**9001620\_9001621**  
**Anti-Tipper X- Small + Extension**

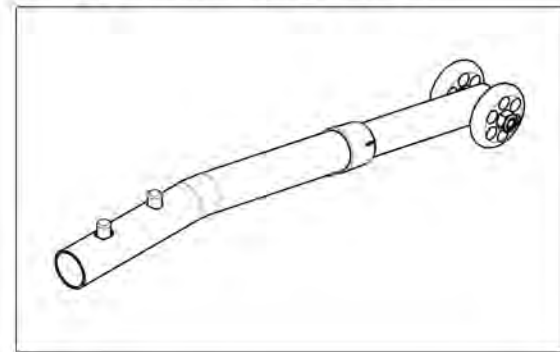
ITEM NO.	PARTNO	DESCRIPTION	9001620 /QTY.	9001621 /QTY.
1	51513	ANTI-TIPPER X-SMALL V2 - ASSEMBLY	1	1
2	51517	ANTI-TIPPER EXTENSION SHORT V2 - ASSEMBLY	1	-
3	51518	ANTI-TIPPER EXTENSION LONG V2 - ASSEMBLY	-	1



9001620  
 Anti-Tipper X- Small + Short Extension



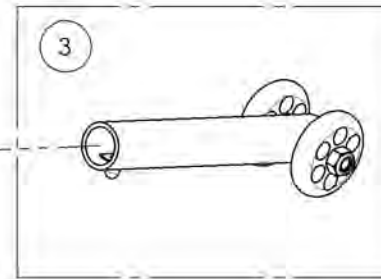
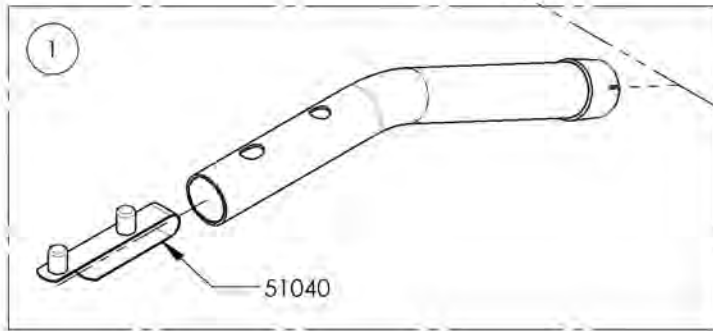
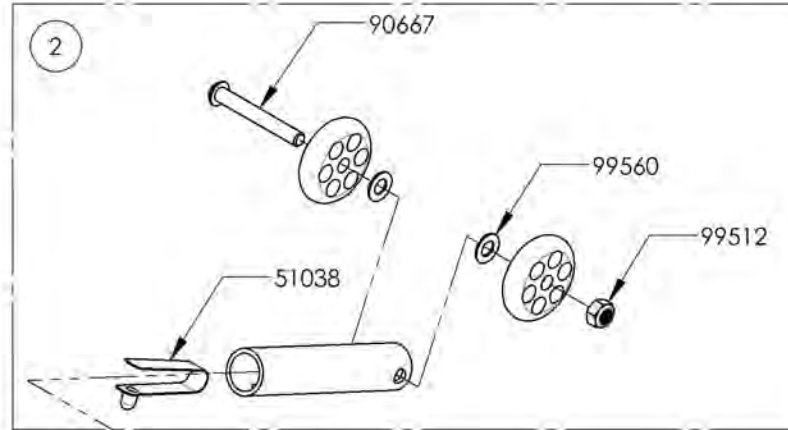
9001621  
 Anti-Tipper X- Small + Long Extension



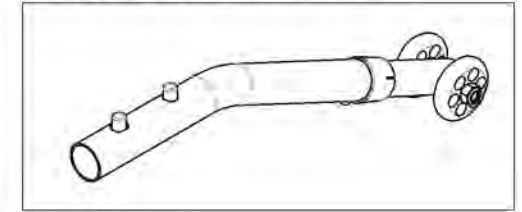
MAKE SURE TO HAVE YOUR SERIAL NUMBER NEARBY WHEN ORDERING PARTS FOR YOUR MOTION COMPOSITES WHEELCHAIR

**9001614\_9001615**  
**Anti-Tipper Small + Extension**

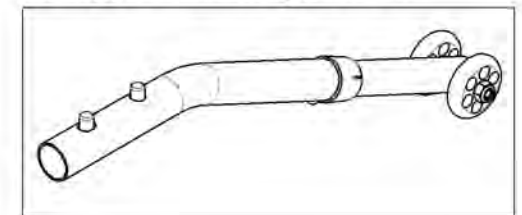
ITEM NO.	PARTNO	DESCRIPTION	9001614 /QTY.	9001615 /QTY.
1	51519	ANTI-TIPPER SMALL V2 - ASSEMBLY	1	1
2	51517	ANTI-TIPPER EXTENSION SHORT V2 - ASSEMBLY	1	-
3	51518	ANTI-TIPPER EXTENSION LONG V2 - ASSEMBLY	-	1



9001614  
 Anti-Tipper Small + Short Extension



9001615  
 Anti-Tipper Small + Long Extension

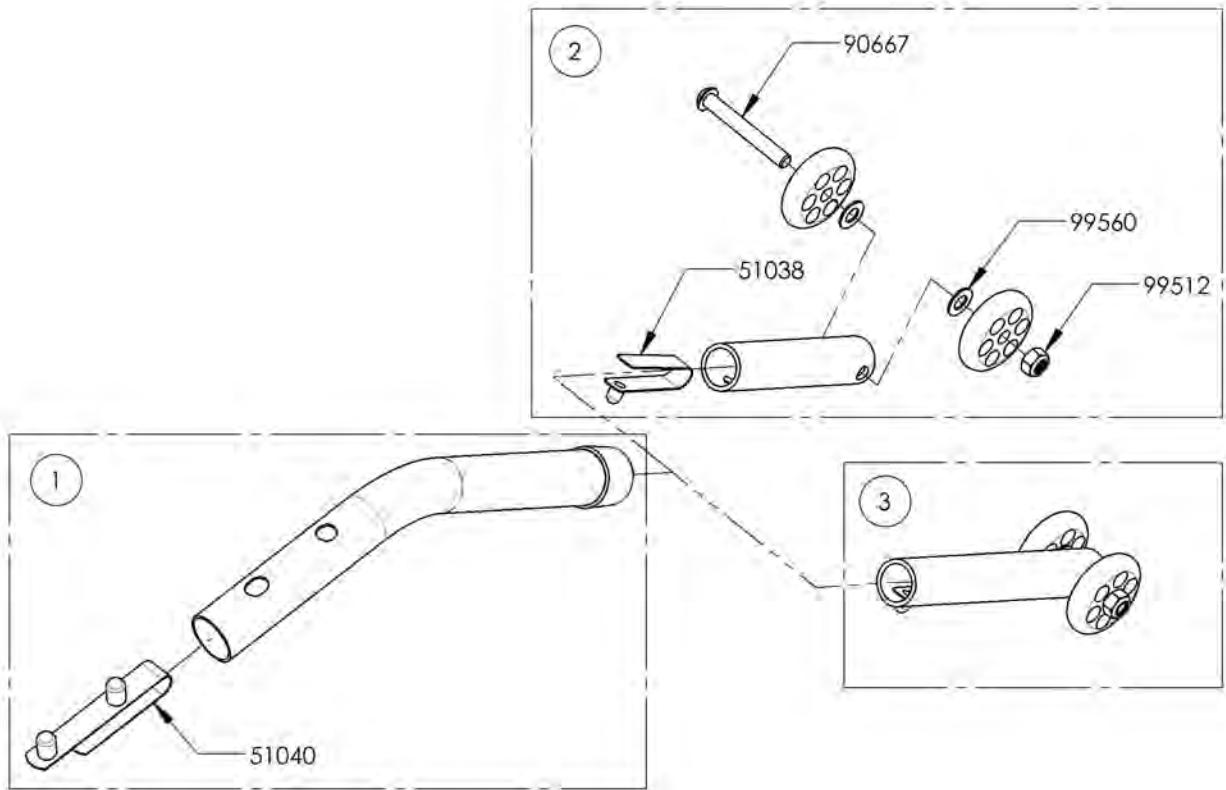


MAKE SURE TO HAVE YOUR SERIAL NUMBER  
 NEARBY WHEN ORDERING PARTS FOR YOUR  
 MOTION COMPOSITES WHEELCHAIR

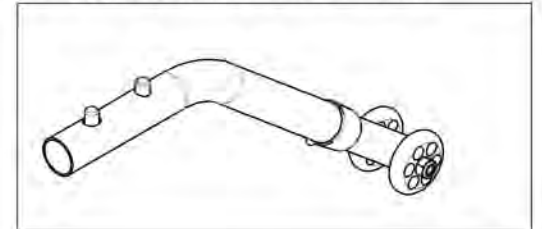


**9001616\_9001617**  
**Anti-Tipper Medium + Extension**

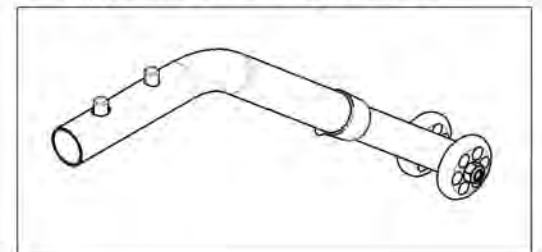
ITEM NO.	PARTNO	DESCRIPTION	9001616 /QTY.	9001617 /QTY.
1	51520	ANTI-TIPPER MEDIUM V2 - ASSEMBLY	1	1
2	51517	ANTI-TIPPER EXTENSION SHORT V2 - ASSEMBLY	1	-
3	51518	ANTI-TIPPER EXTENSION LONG V2 - ASSEMBLY	-	1



9001616  
 Anti-Tipper Medium + Short Extension



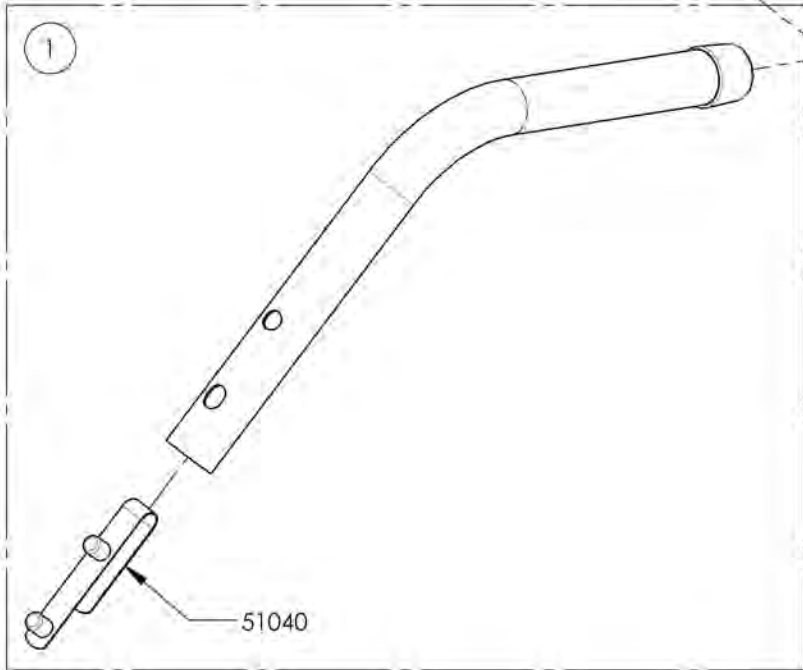
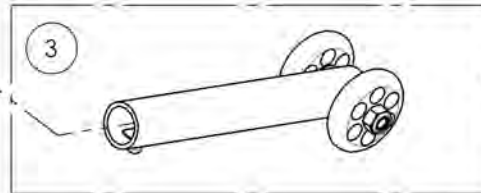
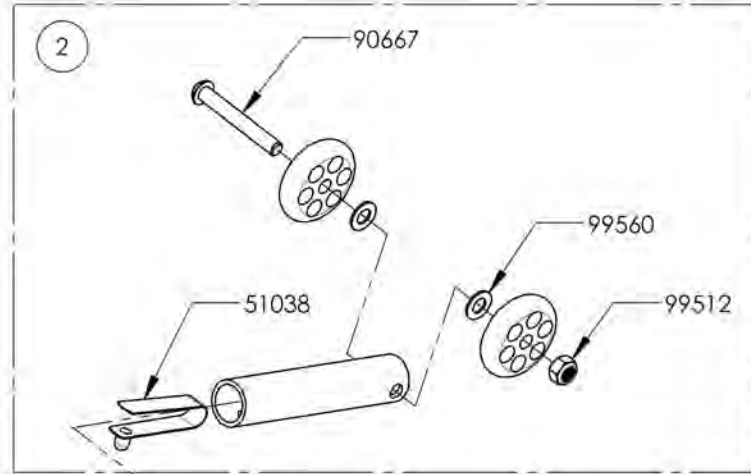
9001617  
 Anti-Tipper Medium + Long Extension



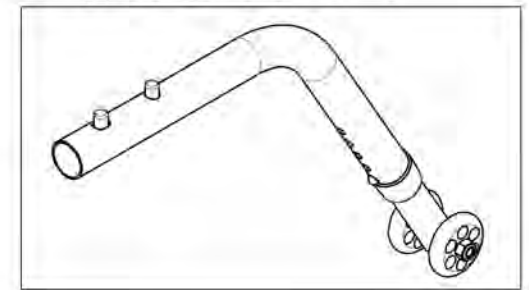
MAKE SURE TO HAVE YOUR SERIAL NUMBER  
 NEARBY WHEN ORDERING PARTS FOR YOUR  
 MOTION COMPOSITES WHEELCHAIR

**9001618\_9001619**  
**Anti-Tipper Large + Extension**

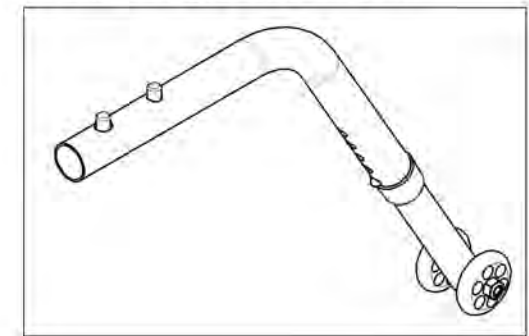
ITEM NO.	PARTNO	DESCRIPTION	9001618 /QTY.	9001619 /QTY.
1	51521	ANTI-TIPPER LARGE V2 - ASSEMBLY	1	1
2	51517	ANTI-TIPPER EXTENSION SHORT V2 - ASSEMBLY	1	-
3	51518	ANTI-TIPPER EXTENSION LONG V2 - ASSEMBLY	-	1



9001618  
 Anti-Tipper Large + Short Extension



9001619  
 Anti-Tipper Large + Long Extension



MAKE SURE TO HAVE YOUR SERIAL NUMBER  
 NEARBY WHEN ORDERING PARTS FOR YOUR  
 MOTION COMPOSITES WHEELCHAIR

**Accessories Catalogue  
Patches**

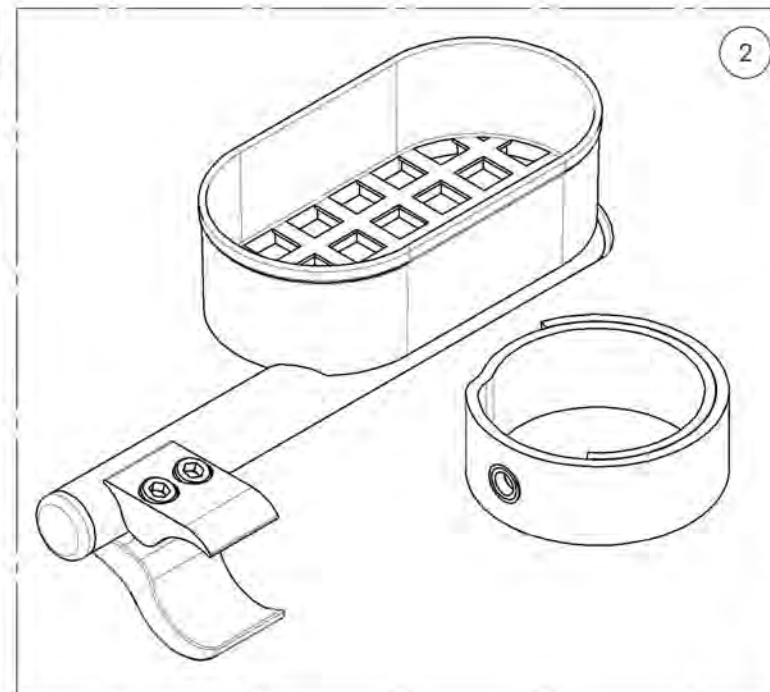
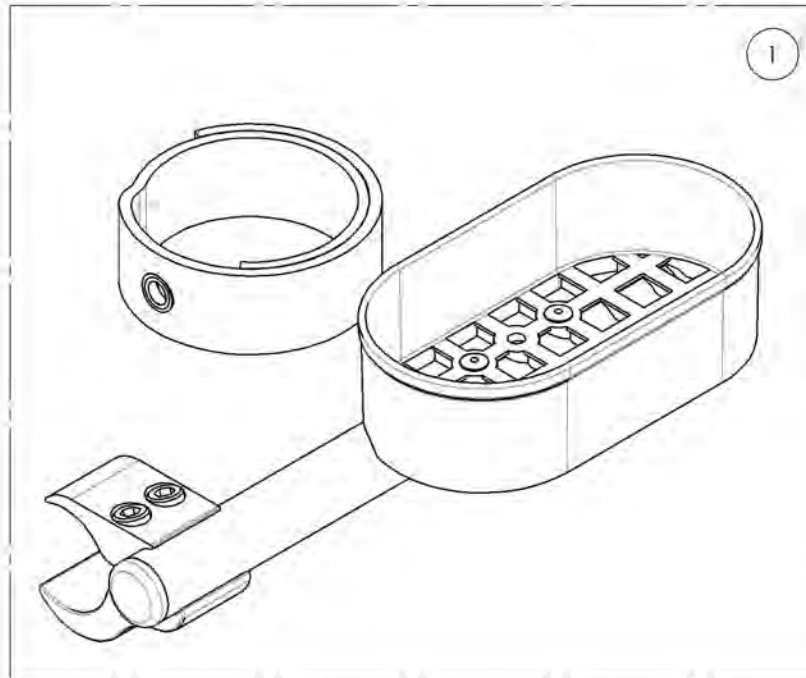
ITEM NO.	PARTNO	DESCRIPTION	QTY.
1	9002230	Patch - Army	1
2	9002231	Patch - Navy	1
3	9002232	Patch - Air Force	1
4	9002233	Patch - Marines	1
5	9002234	Patch - The Badge of Military Merit Purple Heart	1
6	9002522	Patch - Cost Guard	1



MAKE SURE TO HAVE YOUR SERIAL NUMBER  
NEARBY WHEN ORDERING PARTS FOR YOUR  
MOTION COMPOSITES WHEELCHAIR

**Accessories Catalogue**  
**Cane Holders**

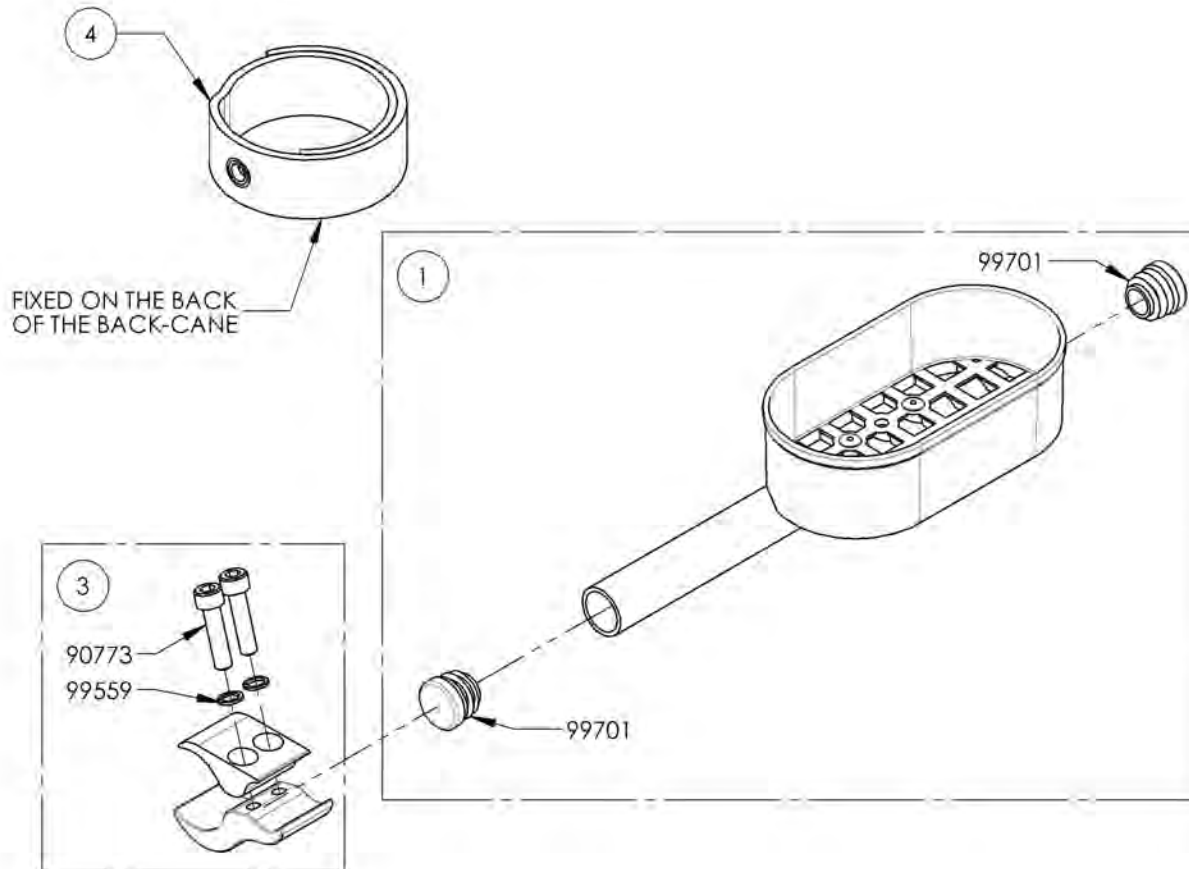
ITEM NO.	PARTNO	DESCRIPTION	QTY.
1	9001627	Cane Holder - Right	1
2	9001628	Cane Holder - Left	1



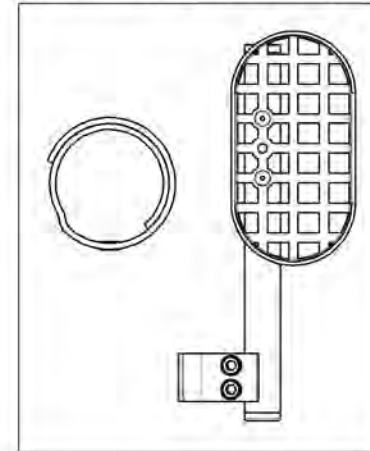
MAKE SURE TO HAVE YOUR SERIAL NUMBER  
NEARBY WHEN ORDERING PARTS FOR YOUR  
MOTION COMPOSITES WHEELCHAIR

**9001627\_9001628  
Cane Holders**

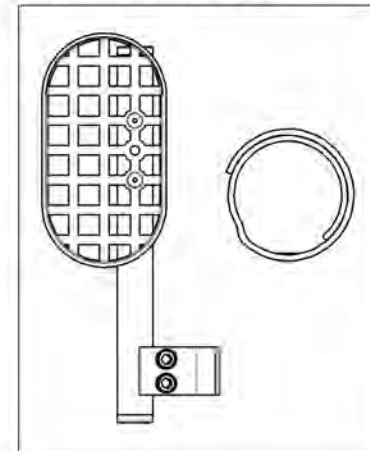
ITEM NO.	PARTNO	DESCRIPTION	9001628 /QTY.	9001627 /QTY.
1	51505	CANE HOLDER RIGHT - ASSEMBLY	-	1
2	51506	CANE HOLDER LEFT - ASSEMBLY	1	-
3	41501	BRAKE CLAMP	1	1
4	51023	CANE HOLDER STRAP	1	1



9001627 - Cane Holder - Right



9001628 - Cane Holder - Left



MAKE SURE TO HAVE YOUR SERIAL NUMBER NEARBY WHEN ORDERING PARTS FOR YOUR MOTION COMPOSITES WHEELCHAIR

**Accessories Catalogue**  
**Footrest Neopren Impact Guards**

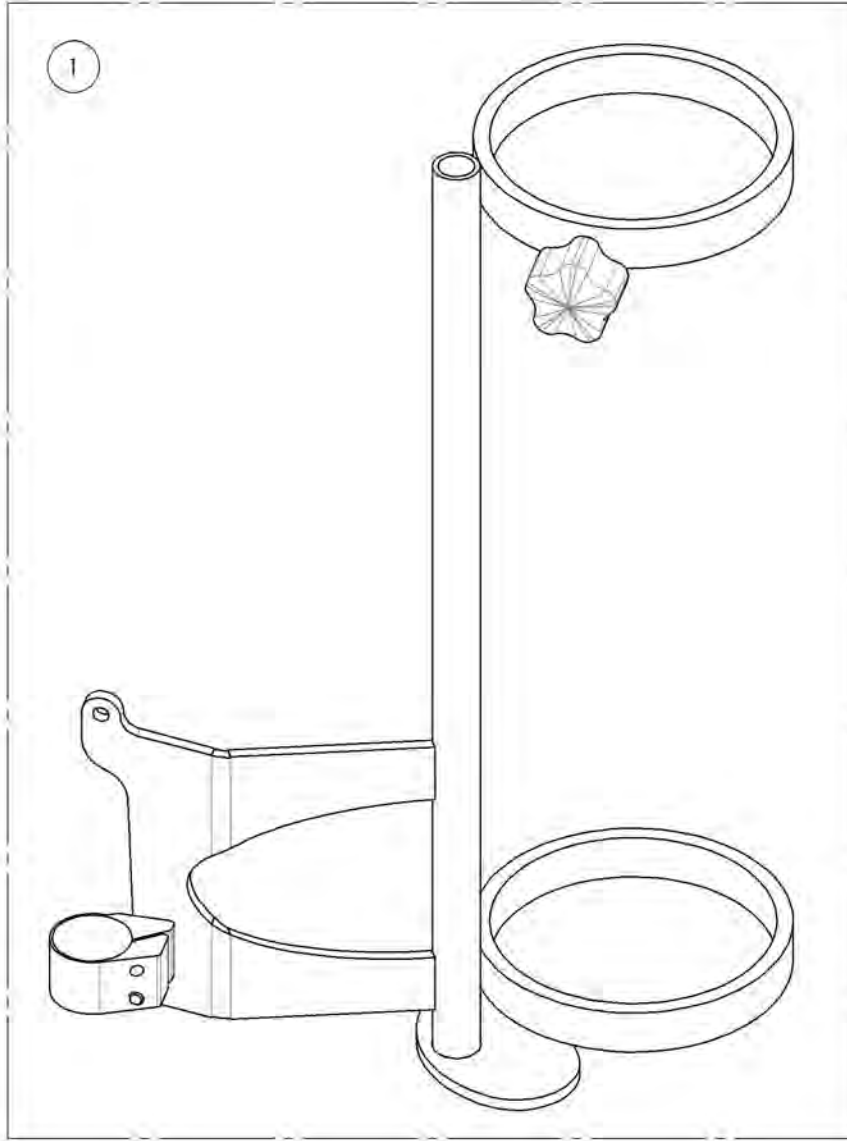
ITEM NO.	PARTNO	DESCRIPTION	QTY.
1	9001633	Footrest Impact Guard - Neoprene - Black (Pair)	1



MAKE SURE TO HAVE YOUR SERIAL NUMBER  
NEARBY WHEN ORDERING PARTS FOR YOUR  
MOTION COMPOSITES WHEELCHAIR

**Accessories Catalogue**  
**Oxygen Tank Holder**

ITEM NO.	PARTNO	DESCRIPTION	QTY.
1	9001640	Oxygen Tank Holder	1

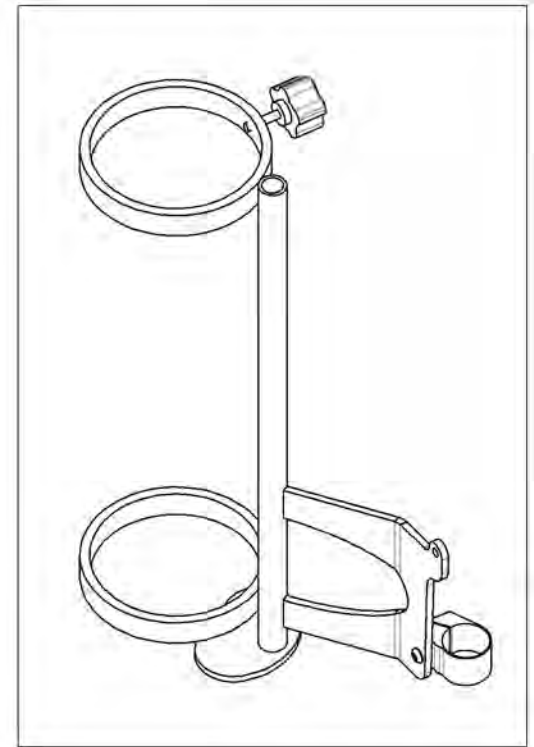
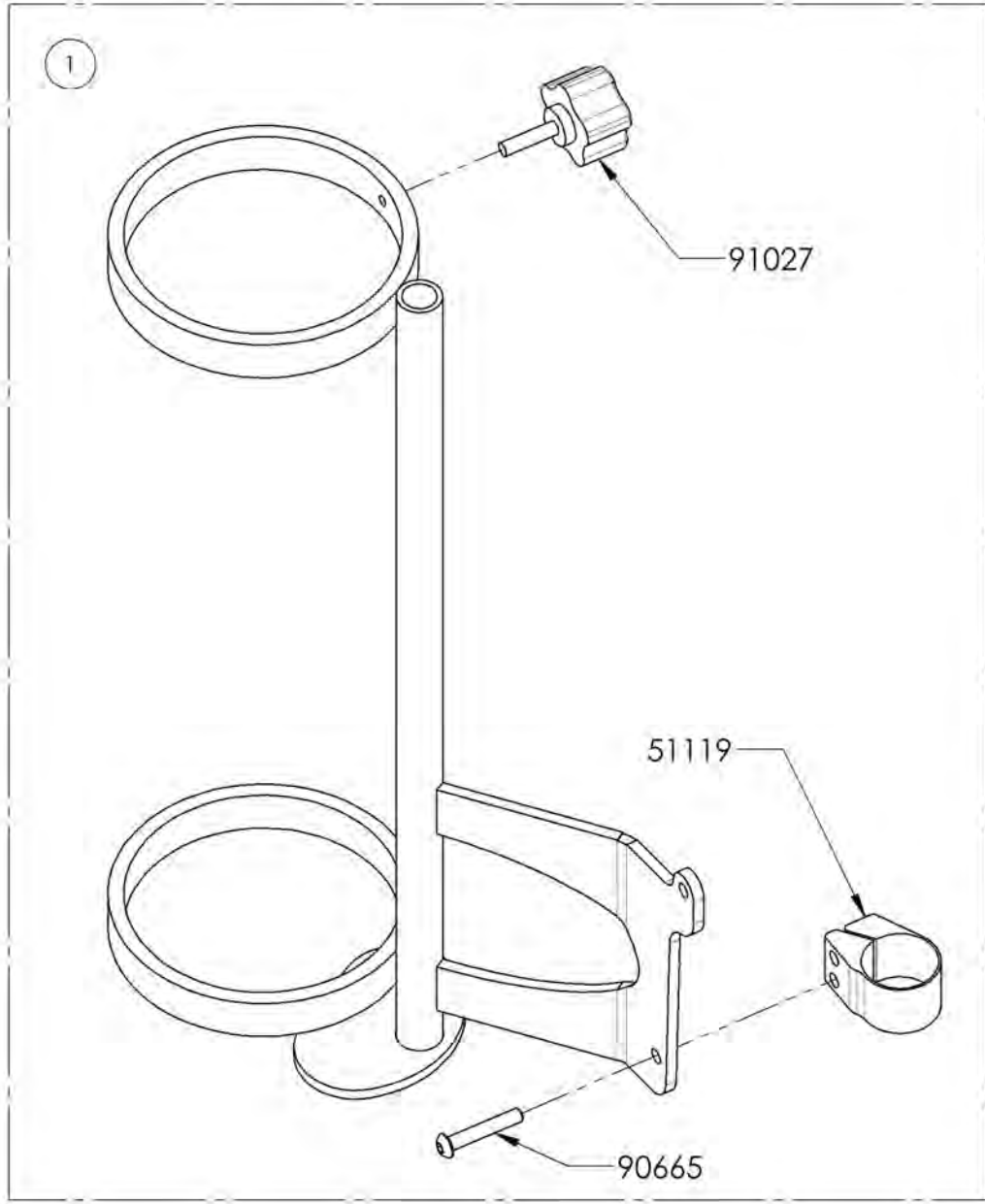


MAKE SURE TO HAVE YOUR SERIAL NUMBER  
NEARBY WHEN ORDERING PARTS FOR YOUR  
MOTION COMPOSITES WHEELCHAIR



**9001640  
Oxygen Tank Holder**

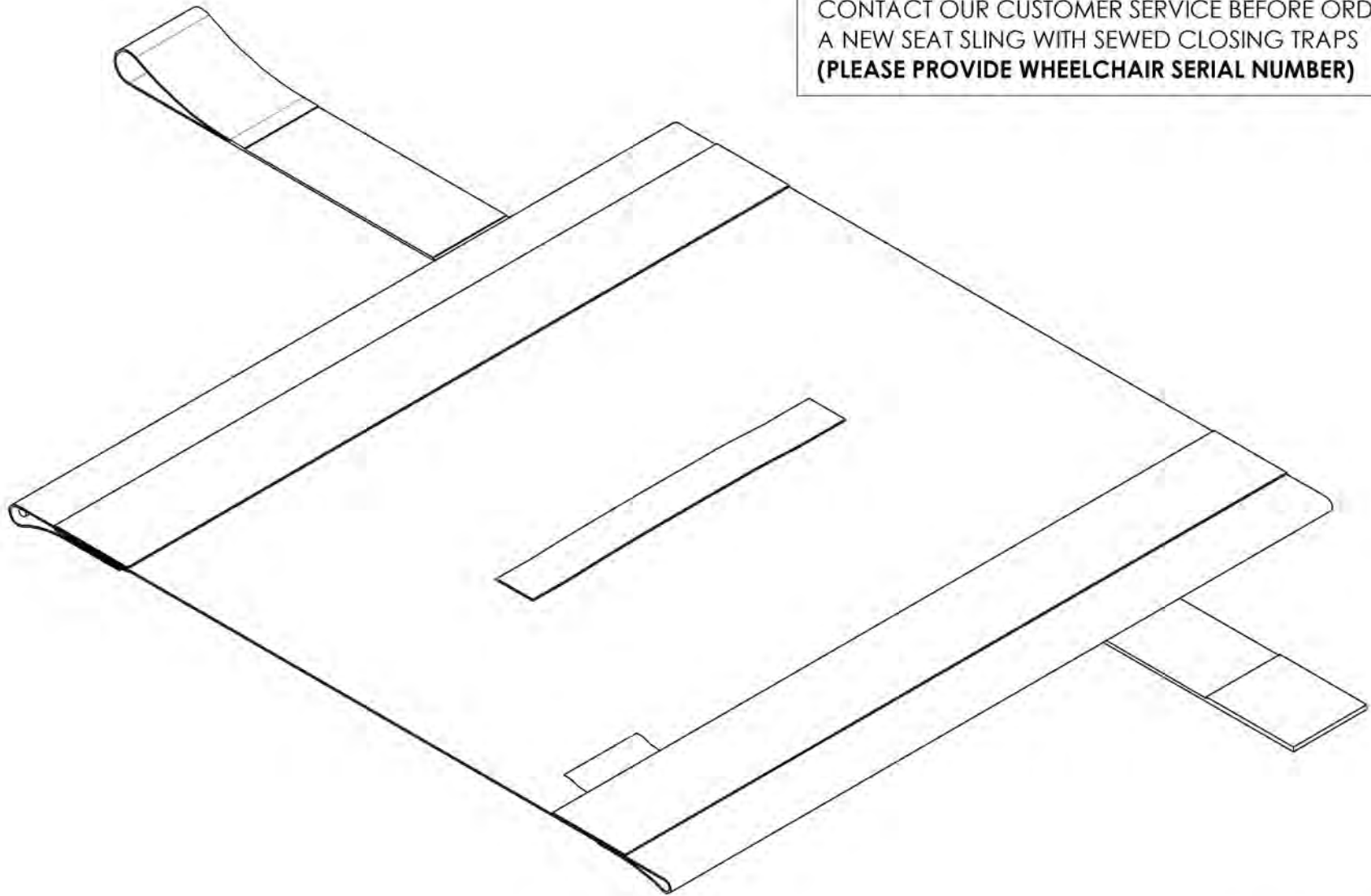
ITEM NO.	PARTNO	DESCRIPTION	9001640 /QTY.
1	60501	OXYGEN TANK HOLDER - ASSEMBLY	1



MAKE SURE TO HAVE YOUR SERIAL NUMBER  
NEARBY WHEN ORDERING PARTS FOR YOUR  
MOTION COMPOSITES WHEELCHAIR

**Accessories Catalogue**  
**Closing Straps**

ITEM NO.	PARTNO	DESCRIPTION	QTY.
1	9007615	Closing Strap Sewed with Seat Sling (Specify Seat Width & Depth)	1



CONTACT OUR CUSTOMER SERVICE BEFORE ORDERING  
A NEW SEAT SLING WITH SEWED CLOSING TRAPS  
**(PLEASE PROVIDE WHEELCHAIR SERIAL NUMBER)**

MAKE SURE TO HAVE YOUR SERIAL NUMBER  
NEARBY WHEN ORDERING PARTS FOR YOUR  
MOTION COMPOSITES WHEELCHAIR

**Accessories Catalogue**  
**Seat Pouch**

ITEM NO.	PARTNO	DESCRIPTION	QTY.
1	9001634	Seat Pouch - Motion Composites	1



MAKE SURE TO HAVE YOUR SERIAL NUMBER  
NEARBY WHEN ORDERING PARTS FOR YOUR  
MOTION COMPOSITES WHEELCHAIR

**Accessories Catalogue**  
**Tool Kit**

ITEM NO.	PARTNO	DESCRIPTION	QTY.
1	9001643	Tool Kit	1
2	9002426	Tool - Screwdriver 1.5 mm HEX	1



MAKE SURE TO HAVE YOUR SERIAL NUMBER  
 NEARBY WHEN ORDERING PARTS FOR YOUR  
 MOTION COMPOSITES WHEELCHAIR

**9001643  
Tool Kit**

ITEM NO.	PARTNO	DESCRIPTION	9001643 /QTY.
1	80001	THREADED KNOB	1
2	51120	METRIC TOOL KIT	1
3	80002	3° TOOL	1



MAKE SURE TO HAVE YOUR SERIAL NUMBER  
NEARBY WHEN ORDERING PARTS FOR YOUR  
MOTION COMPOSITES WHEELCHAIR

**Accessories Catalogue**  
**Motion Composites T-Shirt**

ITEM NO.	PART NO.	DESCRIPTION	QTY.
1	9001635	T-Shirt - Motion Composites Small	1
2	9001636	T-Shirt - Motion Composites Medium	1
3	9001637	T-Shirt - Motion Composites Large	1
4	9001638	T-Shirt - Motion Composites X-Large	1
5	9001639	T-Shirt - Motion Composites XX-Large	1



MAKE SURE TO HAVE YOUR SERIAL NUMBER  
 NEARBY WHEN ORDERING PARTS FOR YOUR  
 MOTION COMPOSITES WHEELCHAIR



**Accessories Catalogue**  
**Motion Composites Polo**



ITEM NO.	PARTNO	DESCRIPTION	QTY
1	9003049	Polo - Motion Composites, Men, Small	1
2	9003050	Polo - Motion Composites, Men, Medium	1
3	9003051	Polo - Motion Composites, Men, Large	1
4	9003052	Polo - Motion Composites, Men, X-Large	1
5	9003053	Polo - Motion Composites, Men, 2X-Large	1
6	9003054	Polo - Motion Composites, Men, 3X-Large	1
7	9003055	Polo - Motion Composites, Men, 4X-Large	1
8	9003056	Polo - Motion Composites, Women, Small	1
9	9003057	Polo - Motion Composites, Women, Medium	1
10	9003058	Polo - Motion Composites, Women, Large	1

MAKE SURE TO HAVE YOUR SERIAL NUMBER  
 NEARBY WHEN ORDERING PARTS FOR YOUR  
 MOTION COMPOSITES WHEELCHAIR



**Accessories Catalogue  
Newton Backpack**

ITEM NO.	PARTNO	DESCRIPTION	QTY
1	9003059	Backpack - Newton	1



20"  
51cm

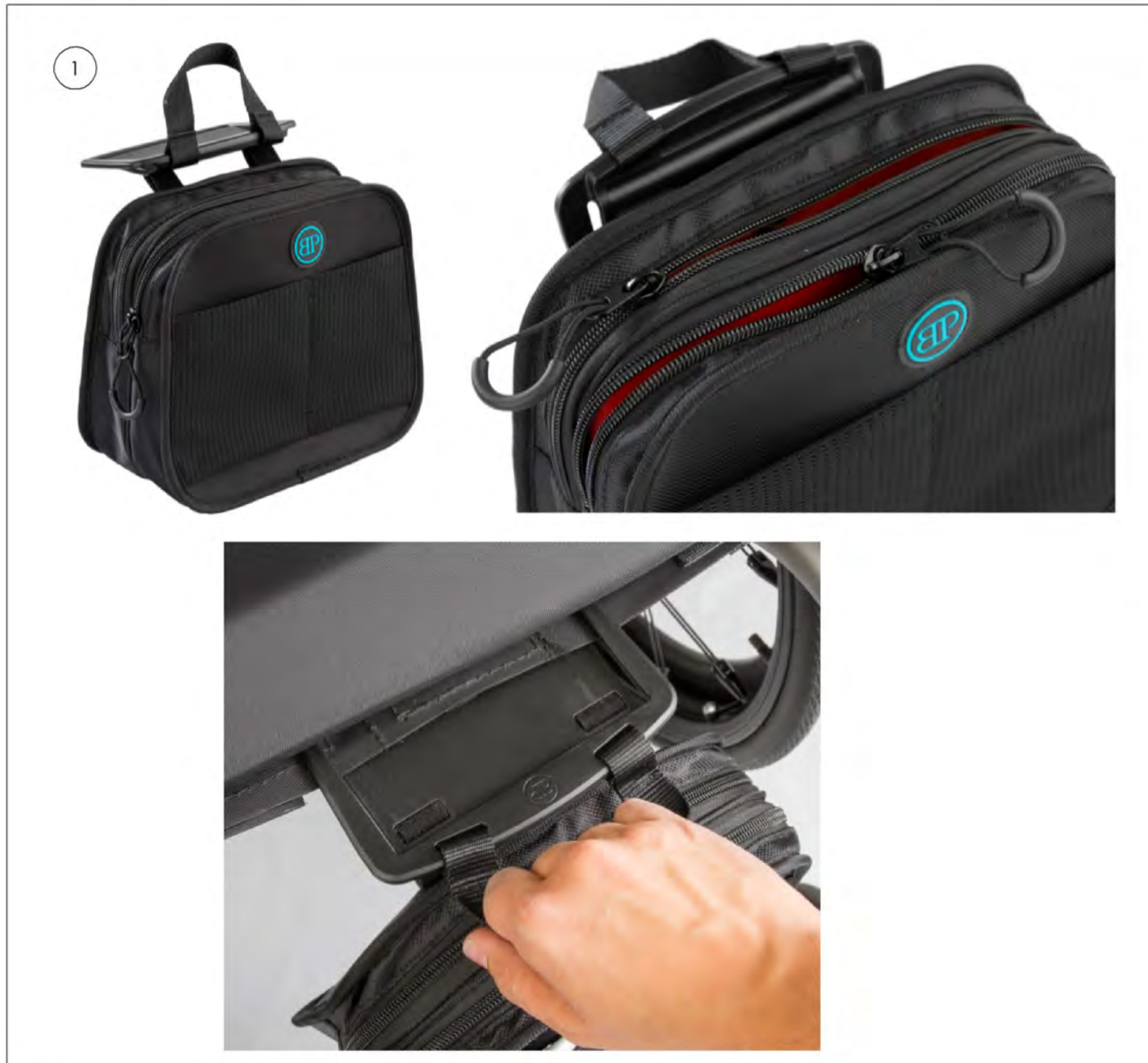
13"  
33cm



MAKE SURE TO HAVE YOUR SERIAL NUMBER  
NEARBY WHEN ORDERING PARTS FOR YOUR  
MOTION COMPOSITES WHEELCHAIR

**Accessories Catalogue**  
**Bodypoint Mobility Bag**

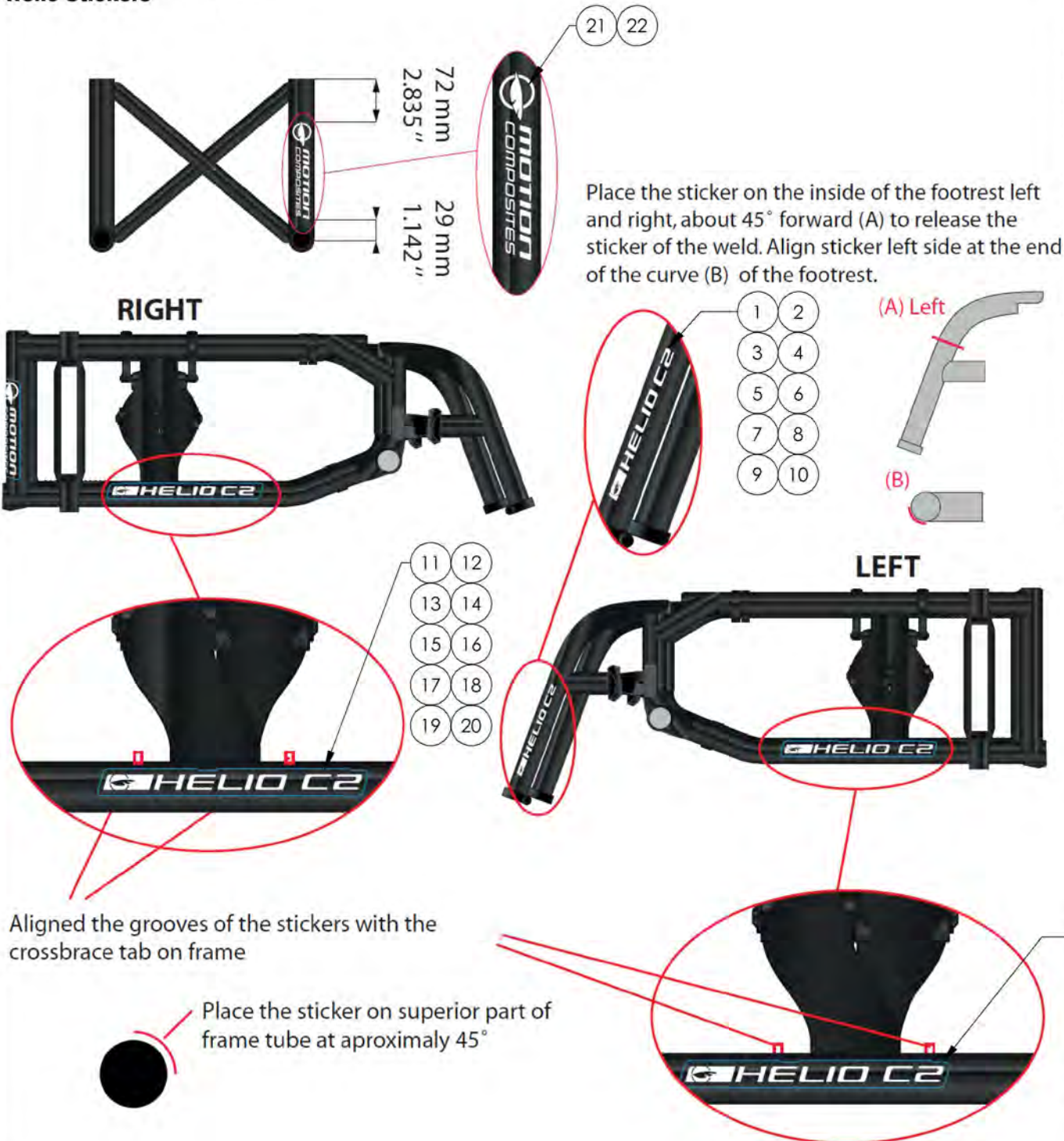
ITEM NO.	PARTNO	DESCRIPTION	QTY
1	9007794	Bag - Bodypoint Mobility	1



MAKE SURE TO HAVE YOUR SERIAL NUMBER  
NEARBY WHEN ORDERING PARTS FOR YOUR  
MOTION COMPOSITES WHEELCHAIR



**Color Options Catalogue  
Helio Stickers**

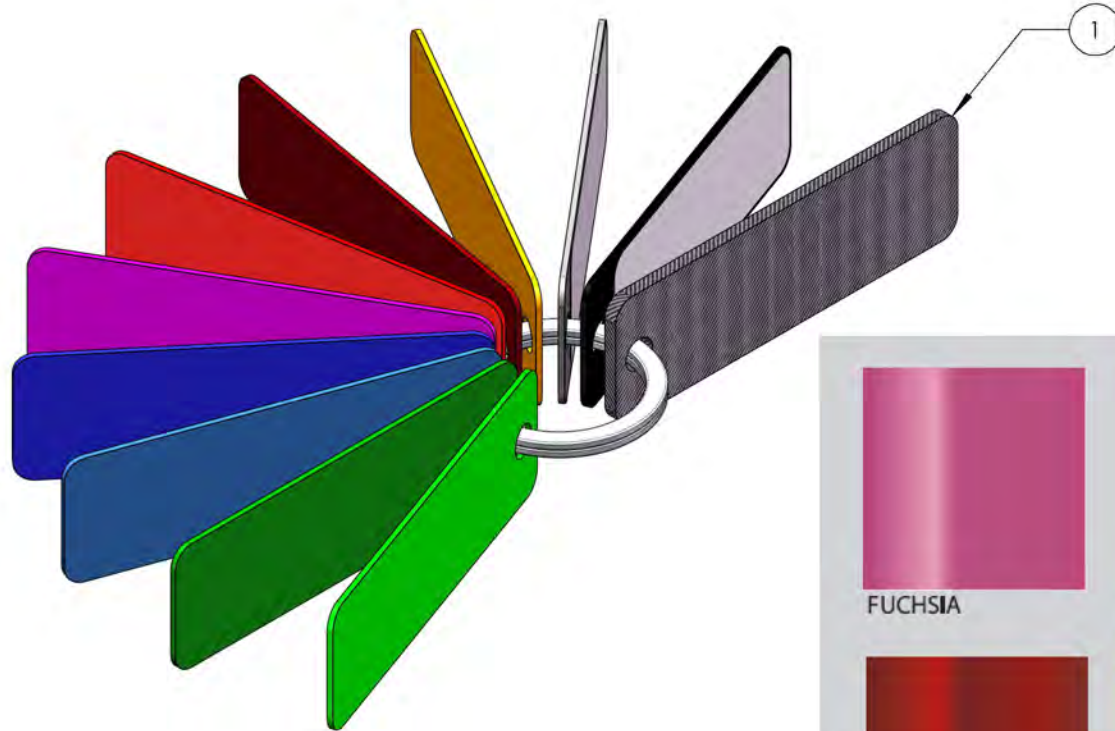


ITEM NO.	PARTNO	DESCRIPTION	QTY.
1	9001061	Sticker - Helio C2, Footrest, Left - Black	1
2	9001060	Sticker - Helio C2, Footrest, Left - White	1
3	9001063	Sticker - Helio A7, Footrest, Left - Black	1
4	9001062	Sticker - Helio A7, Footrest, Left - White	1
5	9001065	Sticker - Helio Kids, Footrest, Left - Black	1
6	9001064	Sticker - Helio Kids, Footrest, Left - White	1
7	9001067	Sticker - Helio XC2, Footrest, Left - Black	1
8	9001066	Sticker - Helio XC2, Footrest, Left - White	1
9	9003297	Sticker - Helio A6, Footrest, Left - Black	1
10	9003296	Sticker - Helio A6, Footrest, Left - White	1
11	9002397	Sticker - Helio C2, Frame, Bottom Tube - Black (Pair)	1
12	9002398	Sticker - Helio C2, Frame, Bottom Tube - White (Pair)	1
13	9002399	Sticker - Helio A7, Frame, Bottom Tube - Black (Pair)	1
14	9002400	Sticker - Helio A7, Frame, Bottom Tube - White (Pair)	1
15	9002401	Sticker - Helio Kids, Frame, Bottom Tube - Black (Pair)	1
16	9002402	Sticker - Helio Kids, Frame, Bottom Tube - White (Pair)	1
17	9002403	Sticker - Helio XC2, Frame, Bottom Tube - Black (Pair)	1
18	9002404	Sticker - Helio XC2, Frame, Bottom Tube - White (Pair)	1
19	9003295	Sticker - Helio A6, Frame, Bottom Tube - Black (Pair)	1
20	9003294	Sticker - Helio A6, Frame, Bottom Tube - White (Pair)	1
21	9002439	Sticker - Motion Composites, Frame, Rear Tube, Right - Black	1
22	9002440	Sticker - Motion Composites, Frame, Rear Tube, Right - White	1

MAKE SURE TO HAVE YOUR SERIAL NUMBER NEARBY WHEN ORDERING PARTS FOR YOUR MOTION COMPOSITES WHEELCHAIR

**Color Options Catalogue**  
**Color Swatch**

ITEM NO.	PARTNO	DESCRIPTION	QTY
1	9001069	Color Swatch - All Colors, Key Ring Assembly	1



MAKE SURE TO HAVE YOUR SERIAL NUMBER  
NEARBY WHEN ORDERING PARTS FOR YOUR  
MOTION COMPOSITES WHEELCHAIR



**Color Options Catalogue**  
**Color Touch-Up**

ITEM NO.	PARTNO	DESCRIPTION	QTY
1	9003033	Color Touch Up - Fuchsia	1
2	9003034	Color Touch Up - Burgundy	1
3	9003035	Color Touch Up - Ferrari Red	1
4	9003036	Color Touch Up - Sunkissed Orange	1
5	9003037	Color Touch Up - Acid Green	1
6	9003038	Color Touch Up - Monster Green	1
7	9003039	Color Touch Up - Sapphire Blue	1
8	9003040	Color Touch Up - Steel Blue	1
9	9003041	Color Touch Up - Charcoal	1
10	9003042	Color Touch Up - Black	1

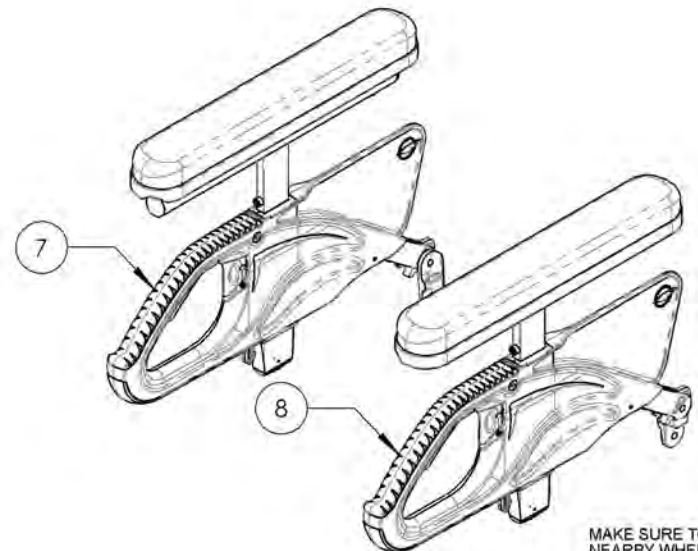
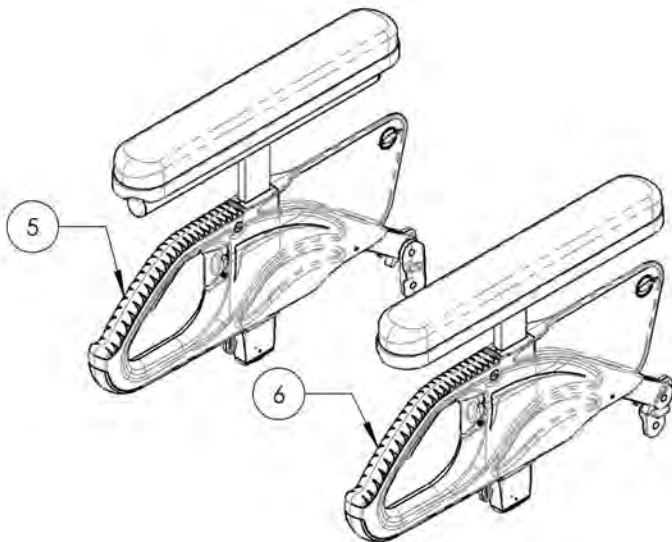
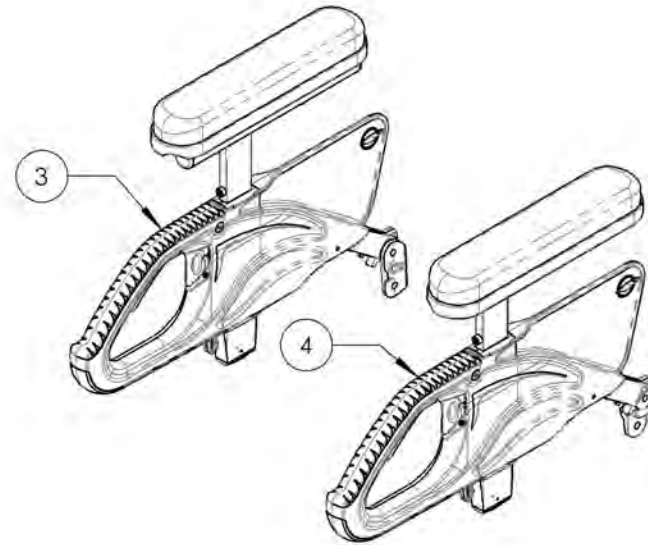
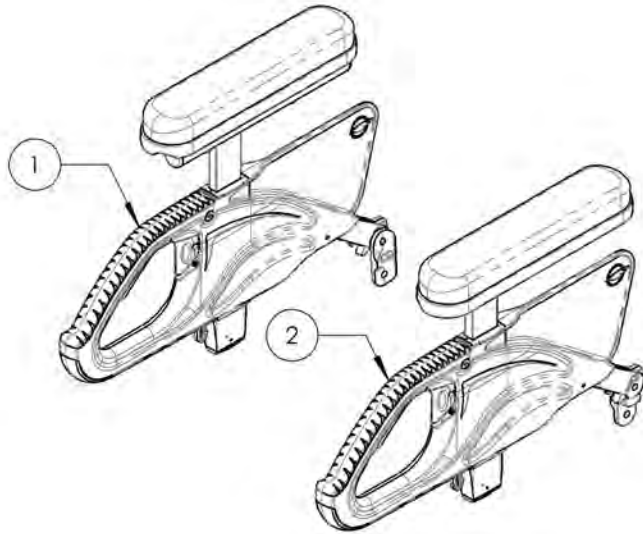


			
FUCHSIA	SUNKISSED ORANGE ORANGE TANGERINE	SAPPHIRE BLUE BLEU SAPHIRE	BLACK NOIR
			
BURGUNDY BOURGOGNE	ACID GREEN VERT ACIDE	STEEL BLUE BLEU ACIER	
			
FERRARI RED ROUGE FERRARI	MONSTER GREEN VERT MONSTRE	CHARCOAL ANTHRACITE	

MAKE SURE TO HAVE YOUR SERIAL NUMBER  
 NEARBY WHEN ORDERING PARTS FOR YOUR  
 MOTION COMPOSITES WHEELCHAIR

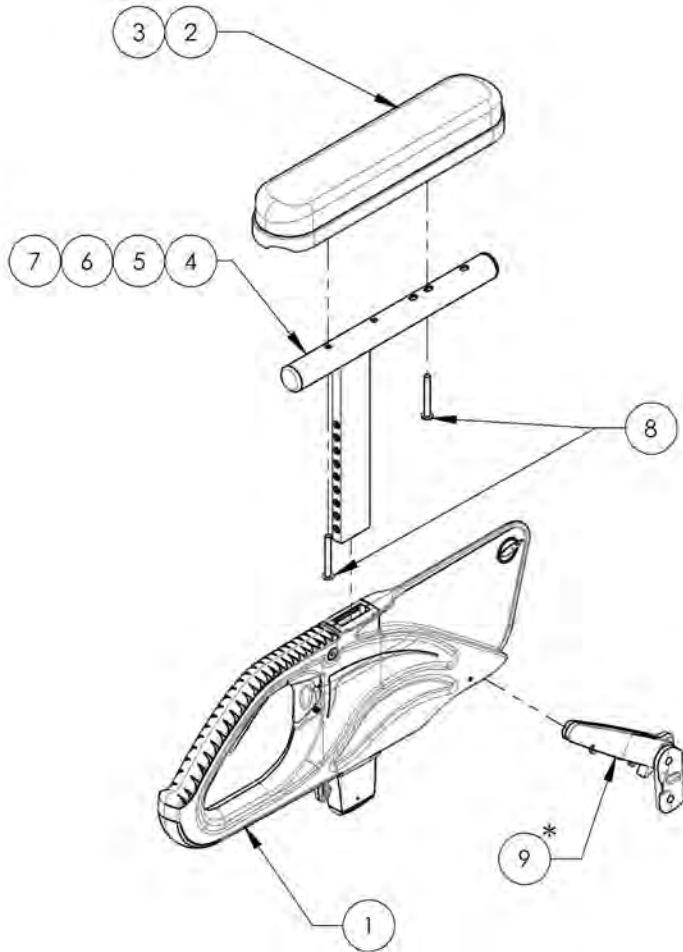
**Quick Order Catalogue**  
**Flip Back Type 2 Complete Armrest**

ITEM NO.	PARTNO	DESCRIPTION	QTY
1	9002888	Flip Back Type 2 Complete Armrest, 8-12 in, Desk Length, Right	1
2	9002892	Flip Back Type 2 Complete Armrest, 8-12 in, Desk Length, Left	1
3	9002889	Flip Back Type 2 Complete Armrest, 10-14 in, Desk Length, Right	1
4	9002893	Flip Back Type 2 Complete Armrest, 10-14 in, Desk Length, Left	1
5	9002890	Flip Back Type 2 Complete Armrest, 8-12 in, Full Length, Right	1
6	9002894	Flip Back Type 2 Complete Armrest, 8-12 in, Full Length, Left	1
7	9002891	Flip Back Type 2 Complete Armrest, 10-14 in, Full Length, Right	1
8	9002895	Flip Back Type 2 Complete Armrest, 10-14 in, Full Length, Left	1



MAKE SURE TO HAVE YOUR SERIAL NUMBER  
 NEARBY WHEN ORDERING PARTS FOR YOUR  
 MOTION COMPOSITES WHEELCHAIR

**9002888 9002891**  
**Flip Back Type 2 Complete Armrest, Desk & Full Length, Right**



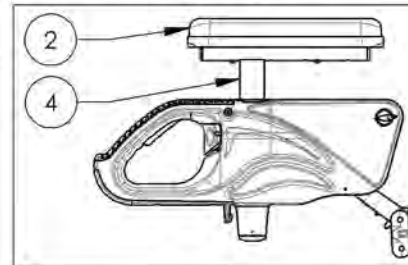
**\* DOUBLE TRIGGER INSTALLATION OPTIONS**

STANDARD RELEASE	LOCK POSITION
<b>DETAIL A</b>	<b>DETAIL B</b>

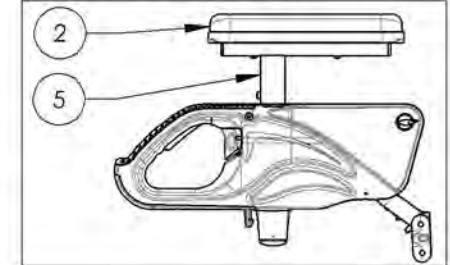
NOTICE THE DIRECTION OF THE DIAMOND SHAPE ON THE TRIGGER, HIS DISTANCE FROM THE SCREW INDICATES THE CONFIGURATION USED

ITEM NO.	PARTNO	DESCRIPTION	9002888 /QTY.	9002889 /QTY.	9002890 /QTY.	9002891 /QTY.
1	33554	V2 ARMREST - MAIN BODY	1	1	1	1
2	33038	ARMREST DESK PAD	1	1	-	-
3	33039	ARMREST FULL LENGTH PAD	-	-	1	1
4	33579	V2 ARMREST STRUCTURE 8-12" FOR DESK LENGTH - ASSEMBLY	1	-	-	-
5	33580	V2 ARMREST STRUCTURE 10-14" FOR DESK LENGTH - ASSEMBLY	-	1	-	-
6	33559	V2 ARMREST STRUCTURE 8-12" FOR FULL LENGTH - ASSEMBLY	-	-	1	-
7	33560	V2 ARMREST STRUCTURE 10-14" FOR FULL LENGTH - ASSEMBLY	-	-	-	1
8	99013	SCREW PHILLIPS PAN HD #10_32 X 1_1_2 + BLUE THREADLOCKER	2	2	2	2
9	33558	V2 ARMREST REAR PIVOT - ASSEMBLY	1	1	1	1

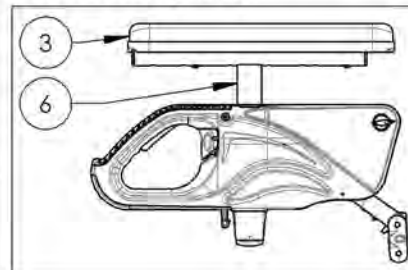
**9002888**  
 Flip Back Type 2 Complete Armrest,  
 8-12 in, Desk Length, Right



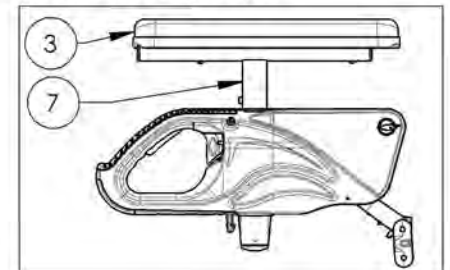
**9002889**  
 Flip Back Type 2 Complete Armrest,  
 10-14 in, Desk Length, Right



**9002890**  
 Flip Back Type 2 Complete Armrest,  
 8-12 in, Full Length, Right



**9002891**  
 Flip Back Type 2 Complete Armrest,  
 10-14 in, Full Length, Right

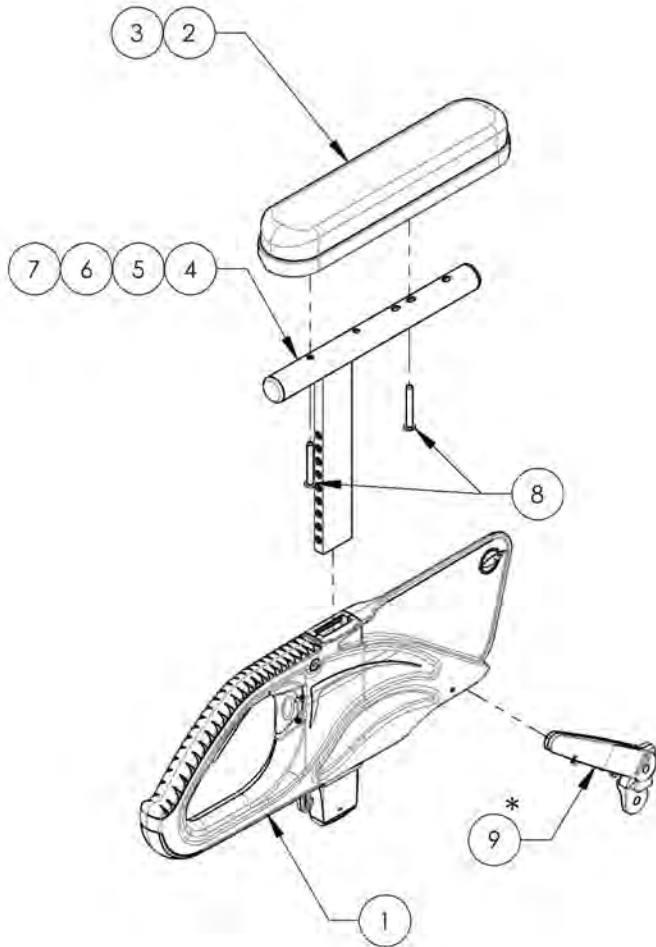


MAKE SURE TO HAVE YOUR SERIAL NUMBER NEARBY WHEN ORDERING PARTS FOR YOUR MOTION COMPOSITES WHEELCHAIR



**9002892\_9002895**  
**Flip Back Type 2 Complete Armrests, Desk & Full Length, Left**

ITEM NO.	PARTNO	DESCRIPTION	9002892 /QTY.	9002893 /QTY.	9002894 /QTY.	9002895 /QTY.
1	33554	V2 ARMREST - MAIN BODY	1	1	1	1
2	33038	ARMREST DESK PAD	1	1	-	-
3	33039	ARMREST FULL LENGTH PAD	-	-	1	1
4	33579	V2 ARMREST STRUCTURE 8-12" FOR DESK LENGTH - ASSEMBLY	1	-	-	-
5	33580	V2 ARMREST STRUCTURE 10-14" FOR DESK LENGTH - ASSEMBLY	-	1	-	-
6	33559	V2 ARMREST STRUCTURE 8-12" FOR FULL LENGTH - ASSEMBLY	-	-	1	-
7	33560	V2 ARMREST STRUCTURE 10-14" FOR FULL LENGTH - ASSEMBLY	-	-	-	1
8	99013	SCREW PHILLIPS PAN HD #10_32 X 1_1_2 + BLUE THREADLOCKER	2	2	2	2
9	33558	V2 ARMREST REAR PIVOT - ASSEMBLY	1	1	1	1

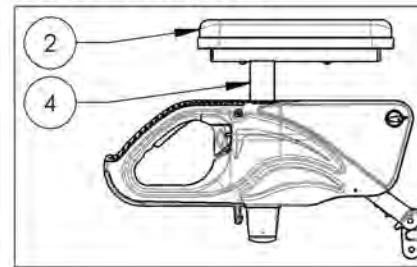


**\* DOUBLE TRIGGER INSTALLATION OPTIONS**

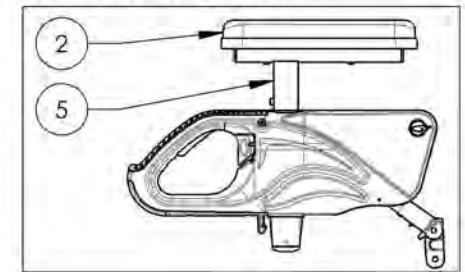
STANDARD RELEASE	LOCK POSITION
<b>DETAIL A</b>	<b>DETAIL B</b>

NOTICE THE DIRECTION OF THE DIAMOND SHAPE ON THE TRIGGER, HIS DISTANCE FROM THE SCREW INDICATES THE CONFIGURATION USED

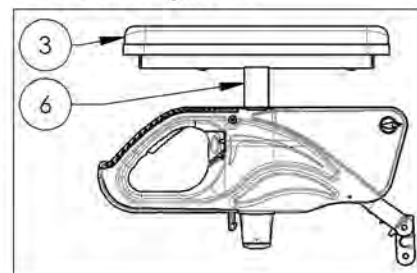
**9002892**  
 Flip Back Type 2 Complete Armrest,  
 8-12 in, Desk Length, Left



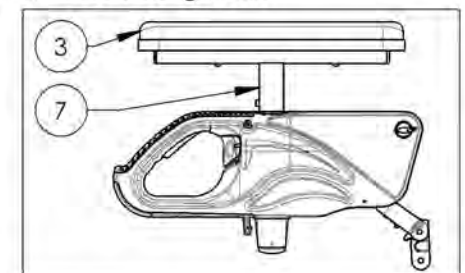
**9002893**  
 Flip Back Type 2 Complete Armrest,  
 10-14 in, Desk Length, Left



**9002894**  
 Flip Back Type 2 Complete Armrest,  
 8-12 in, Full Length, Left



**9002895**  
 Flip Back Type 2 Complete Armrest,  
 10-14 in, Full Length, Left

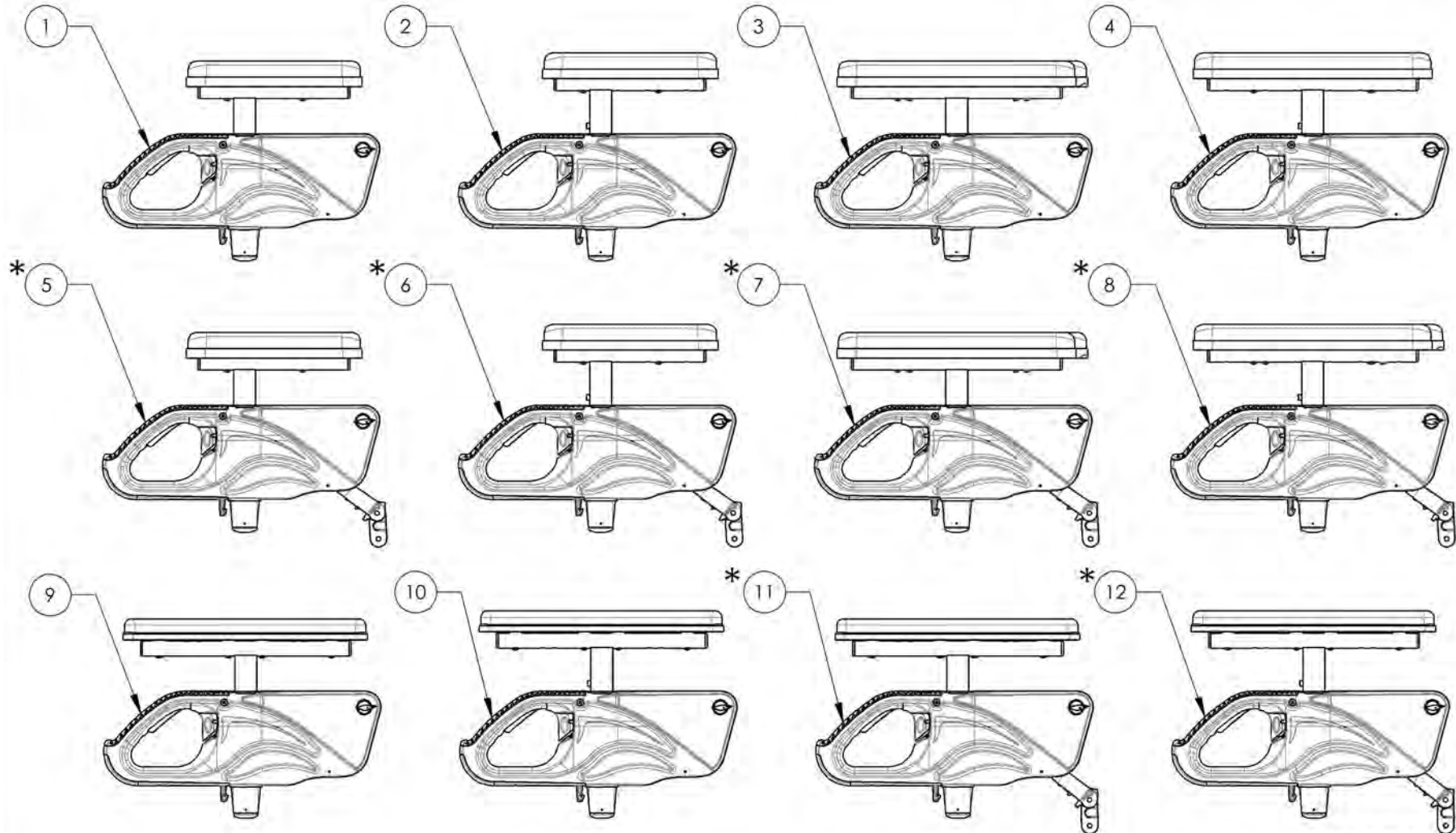


MAKE SURE TO HAVE YOUR SERIAL NUMBER NEARBY WHEN ORDERING PARTS FOR YOUR MOTION COMPOSITES WHEELCHAIR

**Quick Order Catalogue**  
**Complete Armrest Type 2 Pair Assembly**

\*:NOT AVAILABLE FOR KIDS & APEX WHEELCHAIRS

ITEM NO.	PARTNO	DESCRIPTION	QTY.
1	9002524	T Type Complete Armrest, 8-12 in, Desk Length (Pair)	1
2	9002525	T Type Complete Armrest, 10-14 in, Desk Length (Pair)	1
3	9002526	T Type Complete Armrest, 8-12 in, Full Length (Pair)	1
4	9002527	T Type Complete Armrest, 10-14 in, Full Length (Pair)	1
5*	9002528	Flip Back Type 2 Complete Armrest, 8-12 in, Desk Length (Pair)	1
6*	9002529	Flip Back Type 2 Complete Armrest, 10-14 in, Desk Length (Pair)	1
7*	9002530	Flip Back Type 2 Complete Armrest, 8-12 in, Full Length (Pair)	1
8*	9002531	Flip Back Type 2 Complete Armrest, 10-14 in, Full Length (Pair)	1
9	9002937	T Type Complete Armrest, 8-12 in, Gel Pad, Full Length (Pair)	1
10	9002938	T Type Complete Armrest, 10-14 in, Gel Pad, Full Length (Pair)	1
11*	9002941	Flip Back Type 2 Complete Armrest, 8-12 in, Gel Pad, Full Length (Pair)	1
12*	9002942	Flip Back Type 2 Complete Armrest, 10-14 in, Gel Pad, Full Length (Pair)	1

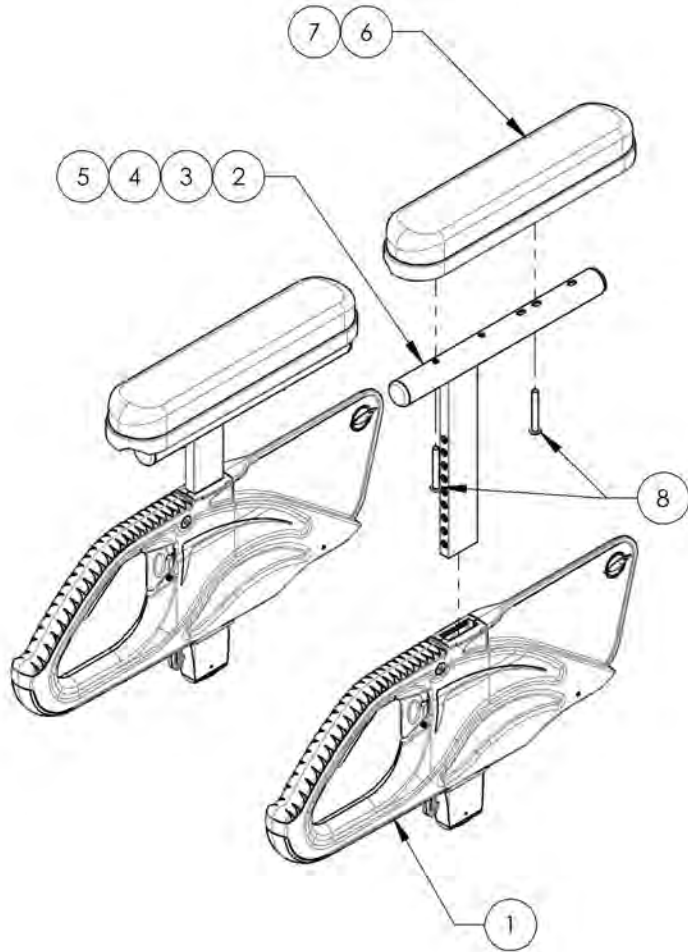


MAKE SURE TO HAVE YOUR SERIAL NUMBER  
 NEARBY WHEN ORDERING PARTS FOR YOUR  
 MOTION COMPOSITES WHEELCHAIR

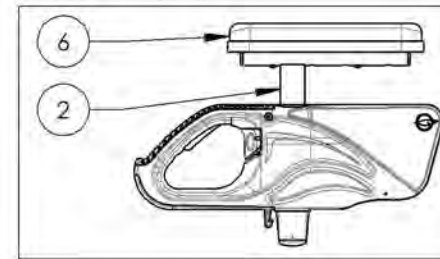
**9002524 9002527**

**T Type Complete Armrests, Desk & Full Length (Pair)**

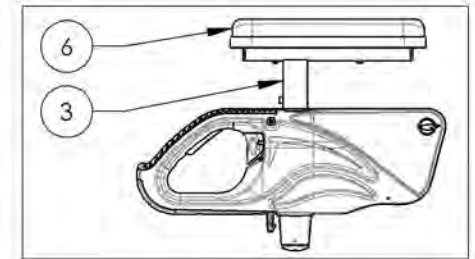
ITEM NO.	PARTNO	DESCRIPTION	9002524 /QTY.	9002525 /QTY.	9002526 /QTY.	9002527 /QTY.
1	33554	V2 ARMREST - MAIN BODY	2	2	2	2
2	33579	V2 ARMREST STRUCTURE 8-12" FOR DESK LENGTH - ASSEMBLY	2	-	-	-
3	33580	V2 ARMREST STRUCTURE 10-14" FOR DESK LENGTH - ASSEMBLY	-	2	-	-
4	33559	V2 ARMREST STRUCTURE 8-12" FOR FULL LENGTH - ASSEMBLY	-	-	2	-
5	33560	V2 ARMREST STRUCTURE 10-14" FOR FULL LENGTH - ASSEMBLY	-	-	-	2
6	33038	ARMREST DESK PAD	2	2	-	-
7	33039	ARMREST FULL LENGTH PAD	-	-	2	2
8	99013	SCREW PHILLIPS PAN HD #10_32 X 1_1_2 + BLUE THREADLOCKER	4	4	4	4



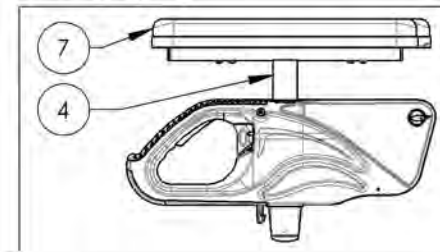
9002524  
T Type Complete Armrest, 8-12 in,  
Desk Length (Pair)



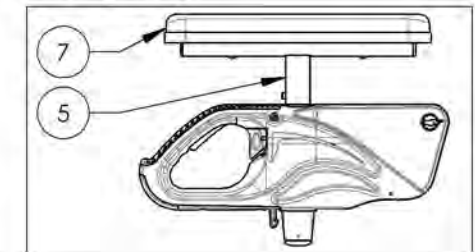
9002525  
T Type Complete Armrest, 10-14 in,  
Desk Length (Pair)



9002526  
T Type Complete Armrest, 8-12 in,  
Full Length (Pair)



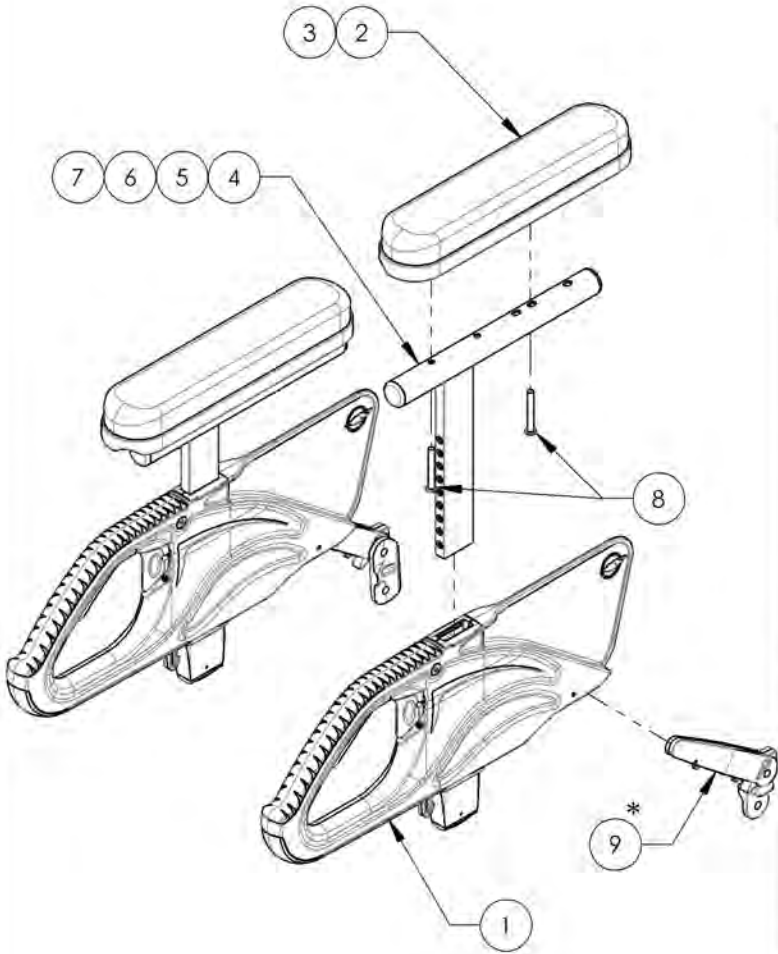
9002527  
T Type Complete Armrest, 10-14 in,  
Full Length (Pair)



MAKE SURE TO HAVE YOUR SERIAL NUMBER  
NEARBY WHEN ORDERING PARTS FOR YOUR  
MOTION COMPOSITES WHEELCHAIR

**9002528 9002531**  
**Flip Back Type 2 Complete Armrests, Desk & Full Length (Pair)**

ITEM NO.	PARTNO	DESCRIPTION	9002528 /QTY.	9002529 /QTY.	9002530 /QTY.	9002531 /QTY.
1	33554	V2 ARMREST - MAIN BODY	2	2	2	2
2	33038	ARMREST DESK PAD	2	2	-	-
3	33039	ARMREST FULL LENGTH PAD	-	-	2	2
4	33579	V2 ARMREST STRUCTURE 8-12" FOR DESK LENGTH - ASSEMBLY	2	-	-	-
5	33580	V2 ARMREST STRUCTURE 10-14" FOR DESK LENGTH - ASSEMBLY	-	2	-	-
6	33559	V2 ARMREST STRUCTURE 8-12" FOR FULL LENGTH - ASSEMBLY	-	-	2	-
7	33560	V2 ARMREST STRUCTURE 10-14" FOR FULL LENGTH - ASSEMBLY	-	-	-	2
8	99013	SCREW PHILLIPS PAN HD #10_32 X 1_1_2 + BLUE THREADLOCKER	4	4	4	4
9	33558	V2 ARMREST REAR PIVOT - ASSEMBLY	2	2	2	2

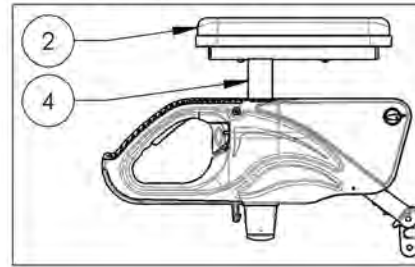


**\* DOUBLE TRIGGER INSTALLATION OPTIONS**

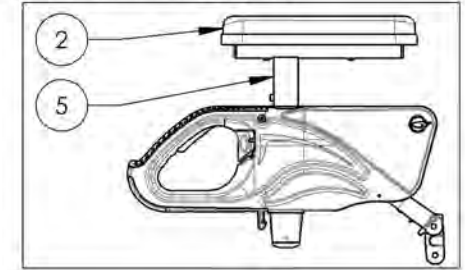
STANDARD RELEASE	LOCK POSITION
DETAIL A	DETAIL B

NOTICE THE DIRECTION OF THE DIAMOND SHAPE ON THE TRIGGER. HIS DISTANCE FROM THE SCREW INDICATES THE CONFIGURATION USED

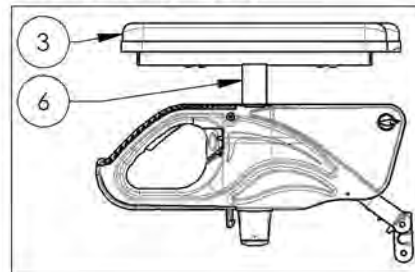
**9002528**  
 Flip Back Type 2 Complete Armrest,  
 8-12 in, Desk Length (Pair)



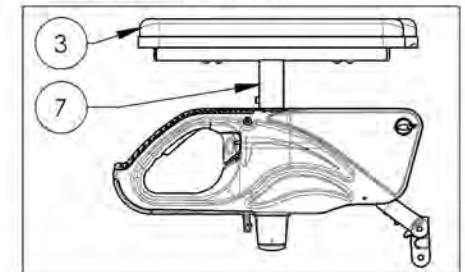
**9002529**  
 Flip Back Type 2 Complete Armrest,  
 10-14 in, Desk Length (Pair)



**9002530**  
 Flip Back Type 2 Complete Armrest,  
 8-12 in, Full Length (Pair)



**9002531**  
 Flip Back Type 2 Complete Armrest,  
 10-14 in, Full Length (Pair)

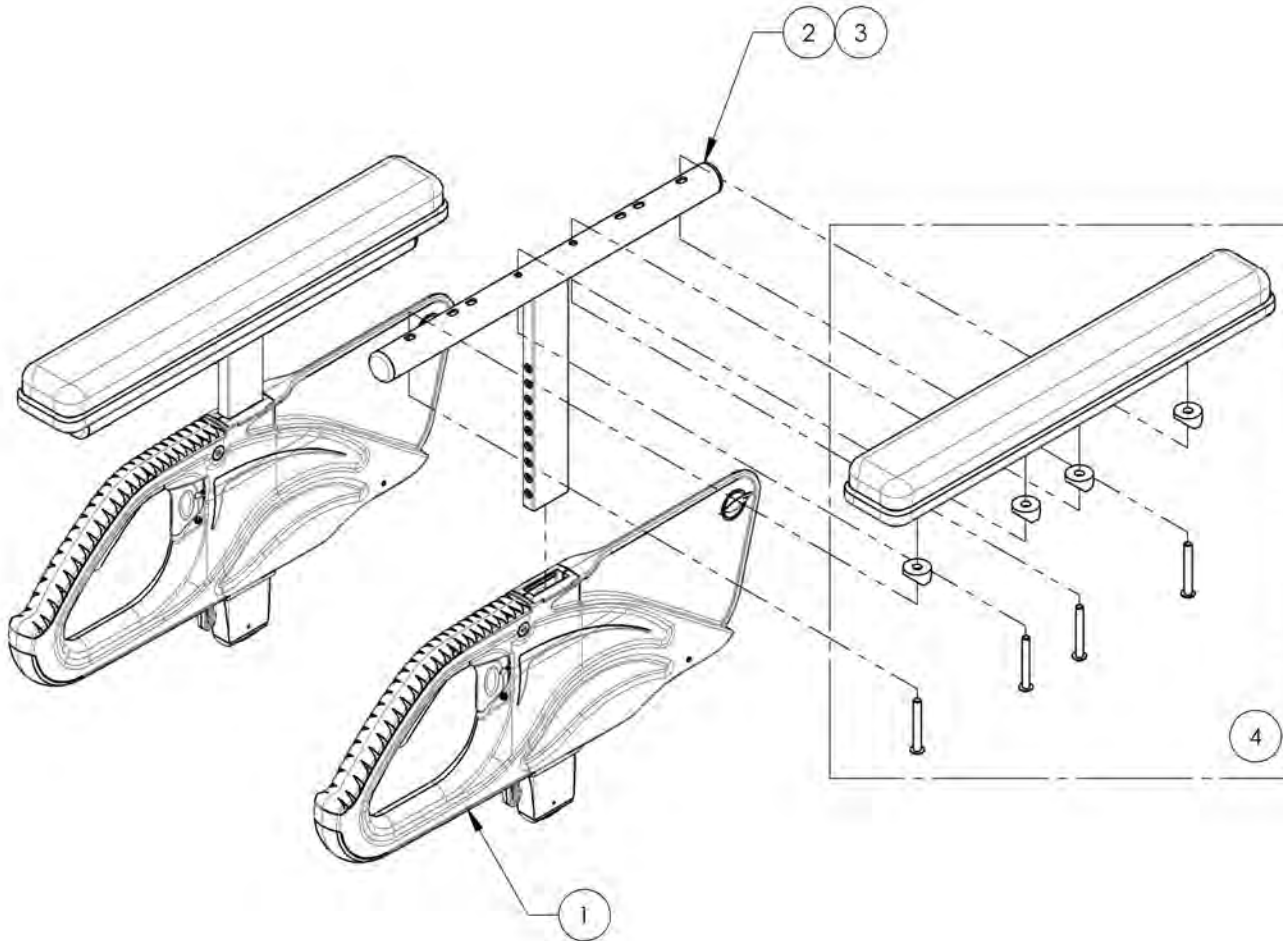


MAKE SURE TO HAVE YOUR SERIAL NUMBER NEARBY WHEN ORDERING PARTS FOR YOUR MOTION COMPOSITES WHEELCHAIR

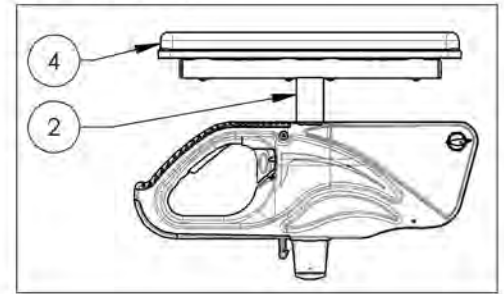
**9002937 9002938**

**T Type Complete Armrest, Gel Pad, Full Length (Pair)**

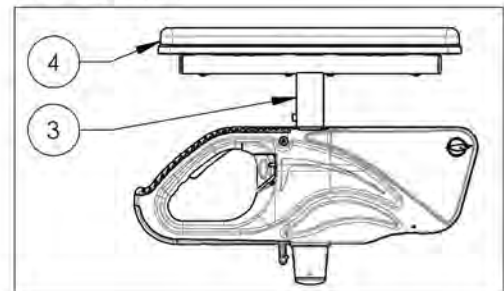
ITEM NO.	PARTNO	DESCRIPTION	9002937 /QTY.	9002938 /QTY.
1	33554	V2 ARMREST - MAIN BODY	2	2
2	33559	V2 ARMREST STRUCTURE 8-12" FOR FULL LENGTH - ASSEMBLY	2	-
3	33560	V2 ARMREST STRUCTURE 10-14" FOR FULL LENGTH - ASSEMBLY	-	2
4	33077	OVATION GEL ARMREST PAD 2x14in, FULL LENGTH	2	2



9002937  
T Type Complete Armrest, 8-12 in, Gel Pad,  
Full Length (Pair)



9002938  
T Type Complete Armrest, 10-14 in, Gel Pad,  
Full Length (Pair)

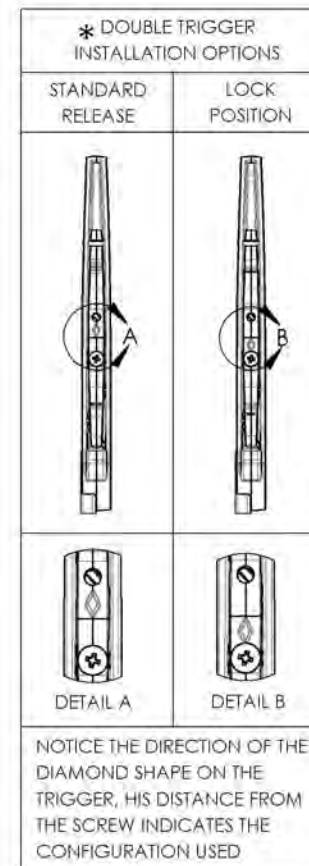
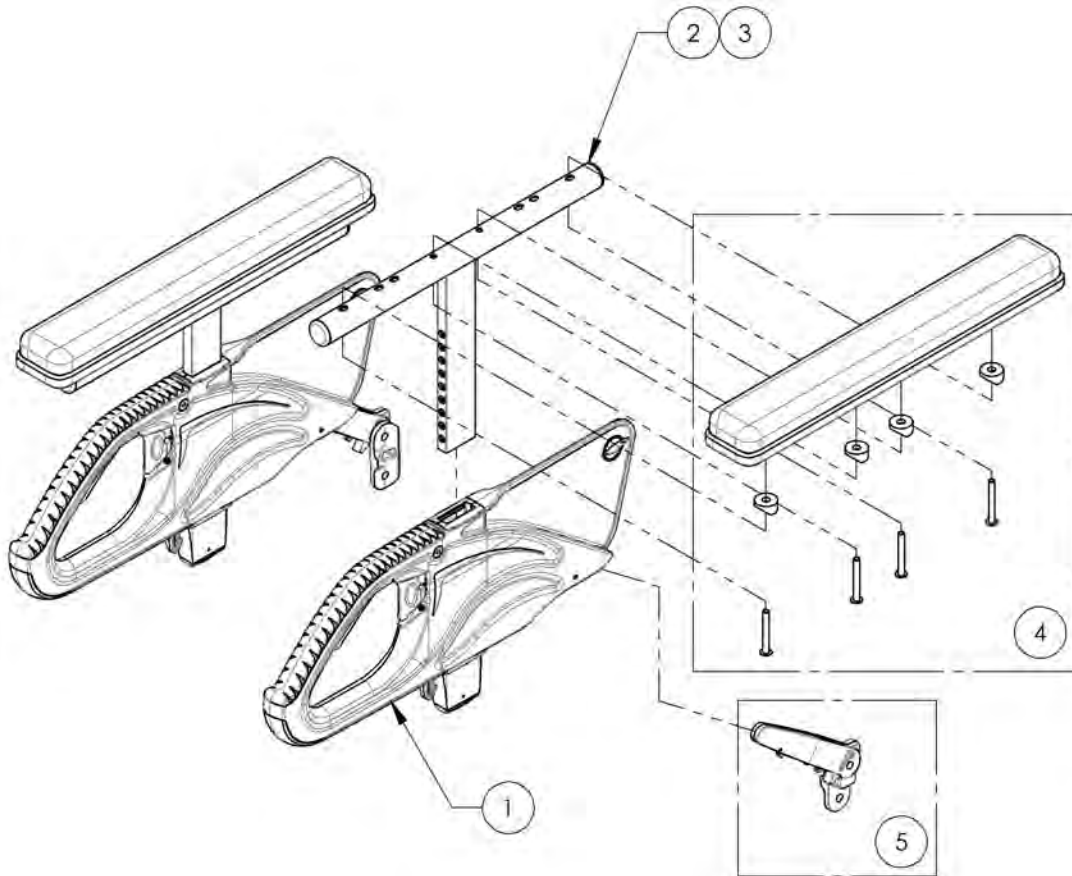


MAKE SURE TO HAVE YOUR SERIAL NUMBER  
NEARBY WHEN ORDERING PARTS FOR YOUR  
MOTION COMPOSITES WHEELCHAIR

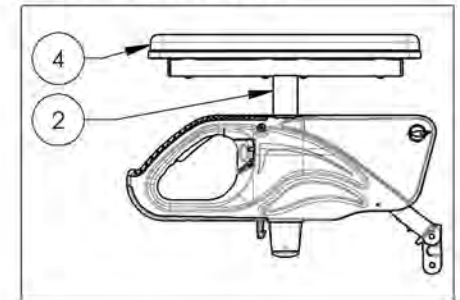


**9002941\_9002942**  
**Flip Back Type 2 Complete Armrest, Gel Pad, Full Length (Pair)**

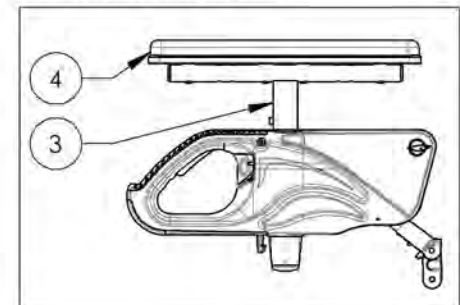
ITEM NO.	PARTNO	DESCRIPTION	9002941 /QTY.	9002942 /QTY.
1	33554	V2 ARMREST - MAIN BODY	2	2
2	33559	V2 ARMREST STRUCTURE 8-12" FOR FULL LENGTH - ASSEMBLY	2	-
3	33560	V2 ARMREST STRUCTURE 10-14" FOR FULL LENGTH - ASSEMBLY	-	2
4	33077	Ovation GEL ARMREST PAD 2x14in, FULL LENGTH	2	2
5	33558	V2 ARMREST REAR PIVOT - ASSEMBLY	2	2



**9002941**  
 Flip Back Type 2 Complete Armrest, 8-12 in,  
 Gel Pad, Full Length (Pair)



**9002942**  
 Flip Back Type 2 Complete Armrest, 10-14 in,  
 Gel Pad, Full Length (Pair)

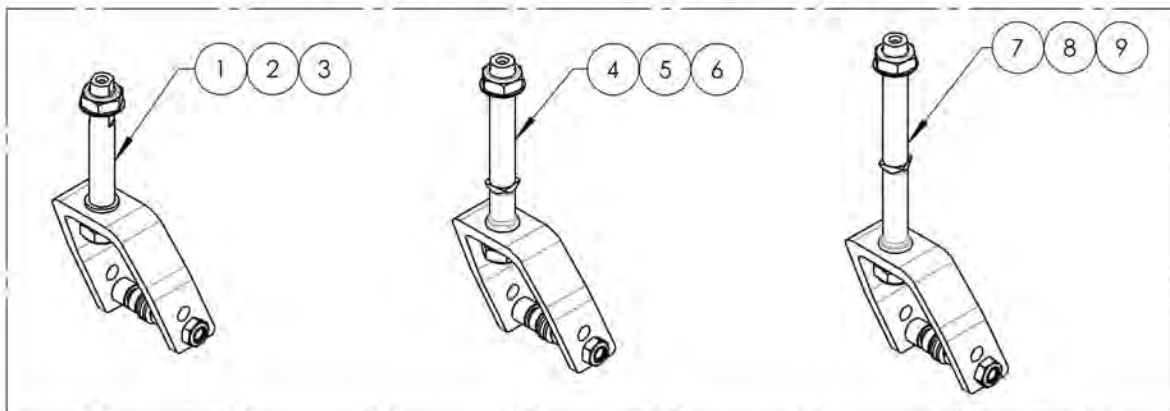


MAKE SURE TO HAVE YOUR SERIAL NUMBER NEARBY WHEN ORDERING PARTS FOR YOUR MOTION COMPOSITES WHEELCHAIR

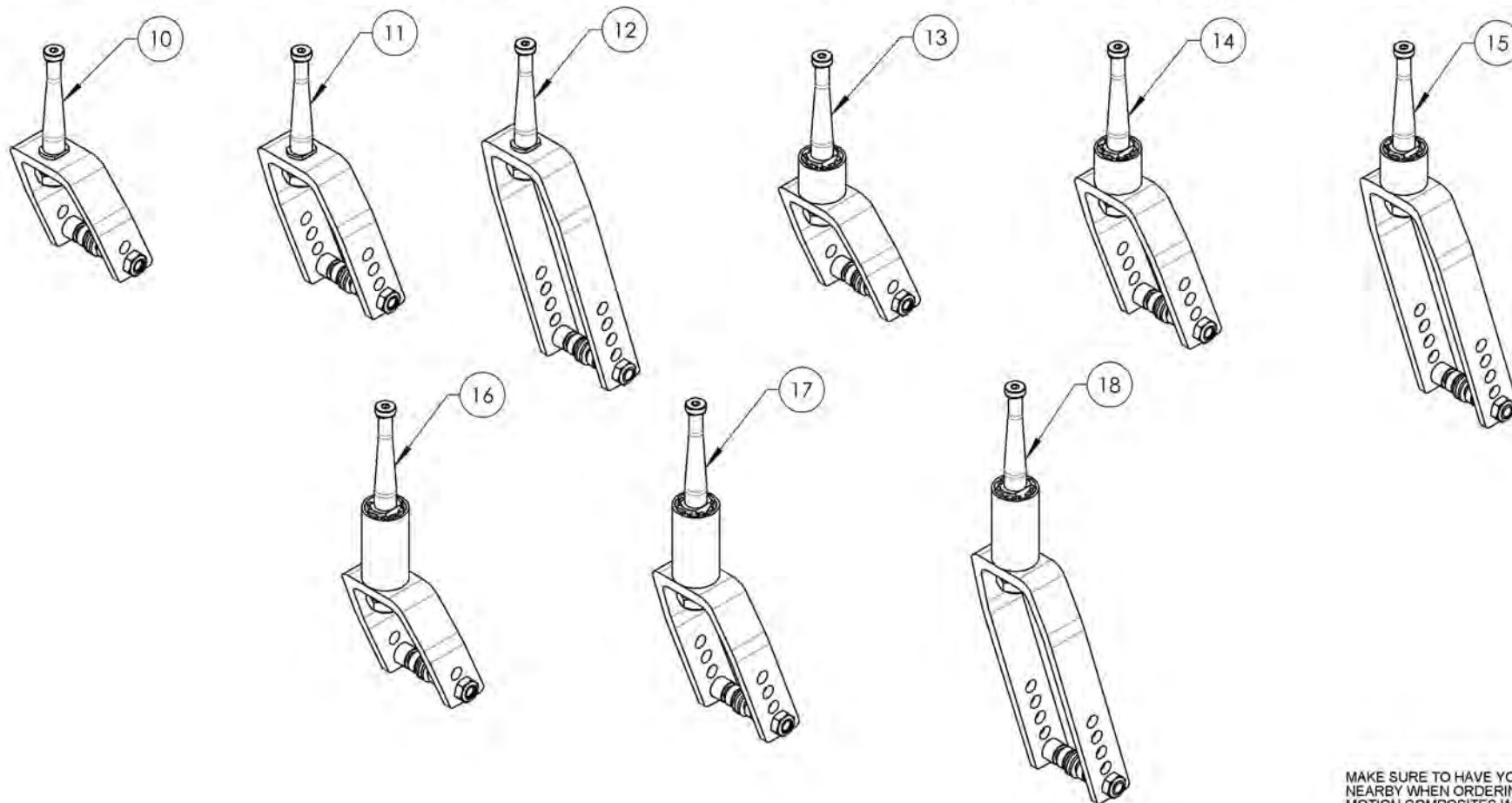


**Quick Order Catalogue  
Fork Assembly**

**OLD STEM BOLT DESIGN  
(MUST BE VALIDATE WITH CUSTOMER SERVICE)**



ITEM NO.	PARTNO	DESCRIPTION	QTY.
1	9002185	Fork - 4 in, STD Stem bolt + Hardware	1
2	9002186	Fork - 5 in, STD Stem bolt + Hardware	1
3	9002187	Fork - 7 in, STD Stem bolt + Hardware	1
4	9002188	Fork - 4 in, Stem bolt +1 in + Hardware	1
5	9002189	Fork - 5 in, Stem bolt +1 in + Hardware	1
6	9002190	Fork - 7 in, Stem bolt +1 in + Hardware	1
7	9002191	Fork - 4 in, Stem bolt +2 in + Hardware	1
8	9002192	Fork - 5 in, Stem bolt +2 in + Hardware	1
9	9002193	Fork - 7 in, Stem bolt +2 in + Hardware	1
10	9002900	Fork - 4 in, STD Stem Bolt, Anti-Flutter + Hardware	1
11	9002901	Fork - 5 in, STD Stem Bolt, Anti-Flutter + Hardware	1
12	9002902	Fork - 7 in, STD Stem Bolt, Anti-Flutter + Hardware	1
13	9002903	Fork - 4 in, Stem Bolt +1 in, Anti-Flutter + Hardware	1
14	9002904	Fork - 5 in, Stem Bolt +1 in, Anti-Flutter + Hardware	1
15	9002905	Fork - 7 in, Stem Bolt +1 in, Anti-Flutter + Hardware	1
16	9002906	Fork - 4 in, Stem Bolt +2 in, Anti-Flutter + Hardware	1
17	9002907	Fork - 5 in, Stem Bolt +2 in, Anti-Flutter + Hardware	1
18	9002908	Fork - 7 in, Stem Bolt +2 in, Anti-Flutter + Hardware	1

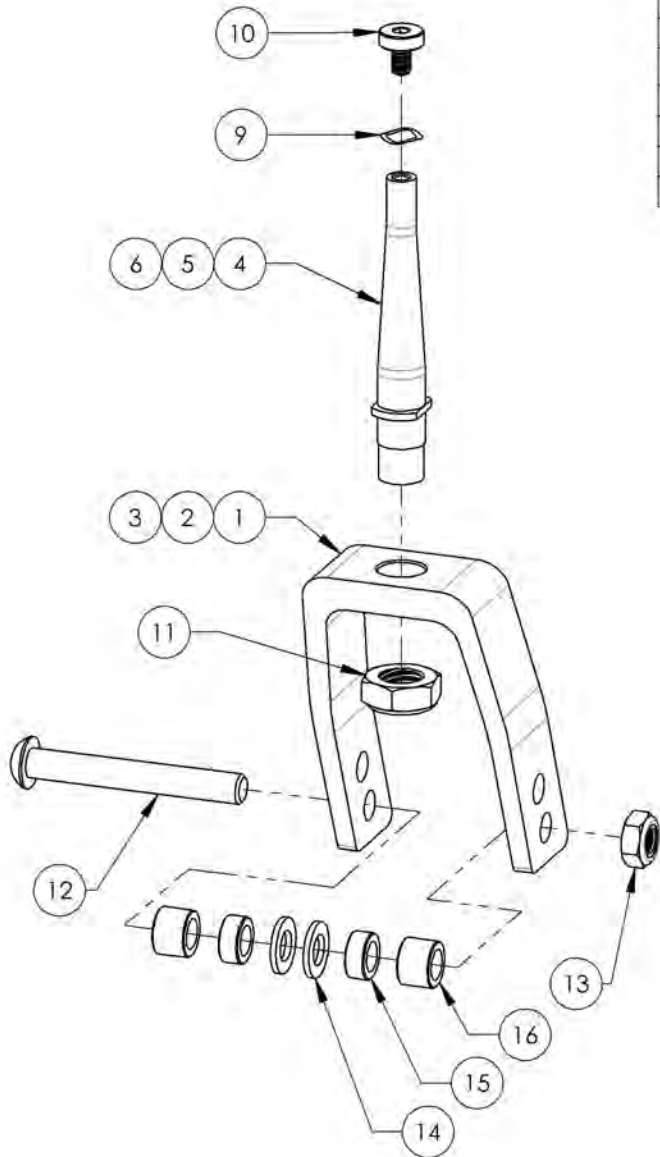


MAKE SURE TO HAVE YOUR SERIAL NUMBER NEARBY WHEN ORDERING PARTS FOR YOUR MOTION COMPOSITES WHEELCHAIR

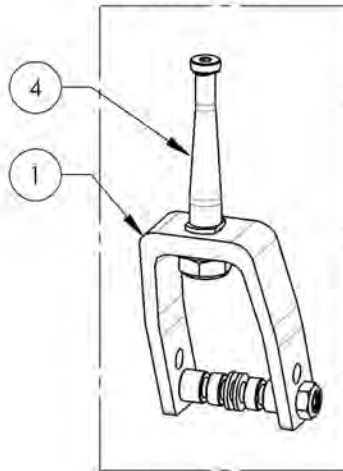
**9002900\_9002908**  
**Fork - Stem Bolt, Anti-Flutter + Hardware**

**APPLICABLE ON WHEELCHAIRS  
 SINCE 2017/02/13**

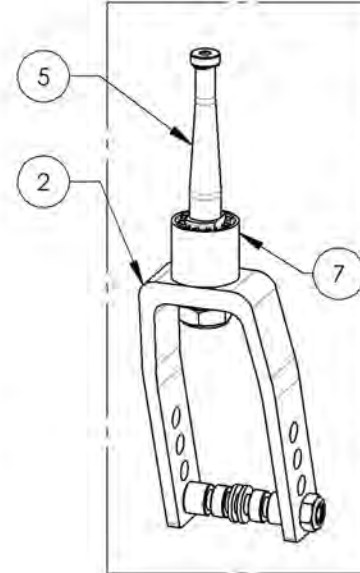
ITEM NO.	PARTNO	DESCRIPTION	9002900 /QTY.	9002901 /QTY.	9002902 /QTY.	9002903 /QTY.	9002904 /QTY.	9002905 /QTY.	9002906 /QTY.	9002907 /QTY.	9002908 /QTY.
1	22106	FORK 4x2 in	1	-	-	1	-	-	1	-	-
2	22107	FORK 5x2 in	-	1	-	-	1	-	-	1	-
3	22109	FORK 7x2 in	-	-	1	-	-	1	-	-	1
4	22090	STEM BOLT STD	1	1	1	-	-	-	-	-	-
5	22091	STEM BOLT + 1 in	-	-	-	1	1	1	-	-	-
6	22092	STEM BOLT + 2 in	-	-	-	-	-	-	1	1	1
7	22149	STEM BOLT COVER +1 in	-	-	-	1	1	1	-	-	-
8	22150	STEM BOLT COVER +2 in	-	-	-	-	-	-	1	1	1
9	22095	TRIPLE-WAVE STEEL WASHER 0.320in ID, 0.437in OD	1	1	1	1	1	1	1	1	1
10	91038	STEM BOLT TOP SCREW	1	1	1	1	1	1	1	1	1
11	90992	M12 LOW NYLON LOCK	1	1	1	1	1	1	1	1	1
12	90685	BUTTON HEAD CAP SCREW M8X1.25 X 60mm LONG, 28mm THREADED + BLUE THREADLOCKER - BLACK ZINC	1	1	1	1	1	1	1	1	1
13	90990	M8 LOW NYLON LOCK	1	1	1	1	1	1	1	1	1
14	99590	WASHER 5/16 - 21/64 ID X 19/32 OD X .062THK	2	2	2	2	2	2	2	2	2
15	22028	CASTER SPACER SMALL	2	2	2	2	2	2	2	2	2
16	22029	CASTER SPACER LARGE	2	2	2	2	2	2	2	2	2



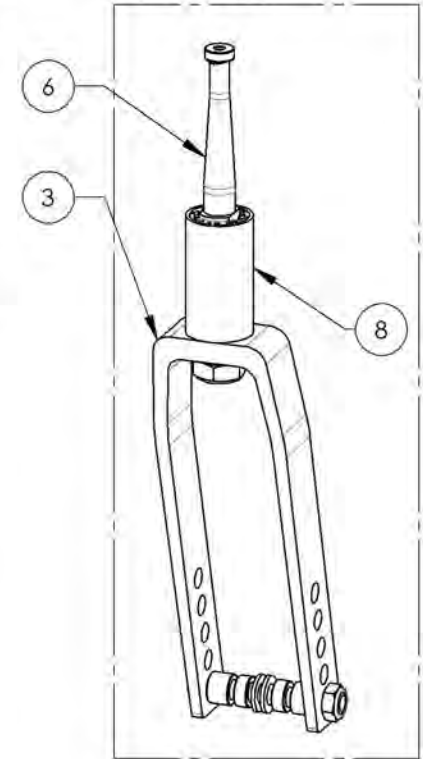
WITH 4" FORK AND  
 STD STEM BOLT



WITH 5" FORK AND  
 +1" STEM BOLT



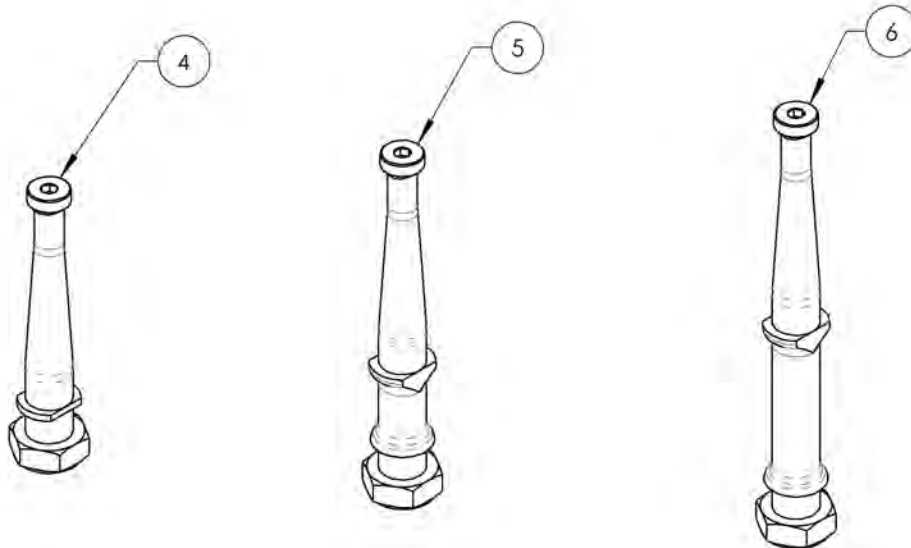
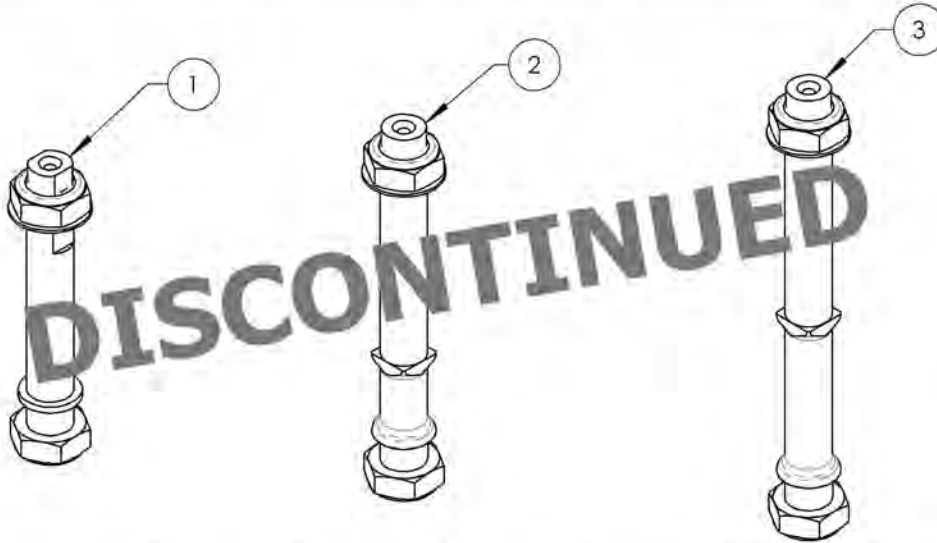
WITH 7" FORK AND  
 +2" STEM BOLT



MAKE SURE TO HAVE YOUR SERIAL NUMBER  
 NEARBY WHEN ORDERING PARTS FOR YOUR  
 MOTION COMPOSITES WHEELCHAIR

**Quick Order Catalogue  
Stem Bolt Assembly**

**REPLACED BY #9002943 TO #9002945**



ITEM NO.	PARTNO	DESCRIPTION	QTY.
1	9002161	Stem Bolt Standard, 1 in + Hardware	1
2	9002162	Stem Bolt Standard, 1 1/2 in + Hardware	1
3	9002163	Stem Bolt +2 in + Hardware	1
4	9002943	Stem Bolt Standard, Anti-Flutter + Hardware	1
5	9002944	Stem Bolt +1 in, Anti-Flutter + Hardware	1
6	9002945	Stem Bolt +2 in, Anti-Flutter + Hardware	1

MAKE SURE TO HAVE YOUR SERIAL NUMBER  
NEARBY WHEN ORDERING PARTS FOR YOUR  
MOTION COMPOSITES WHEELCHAIR

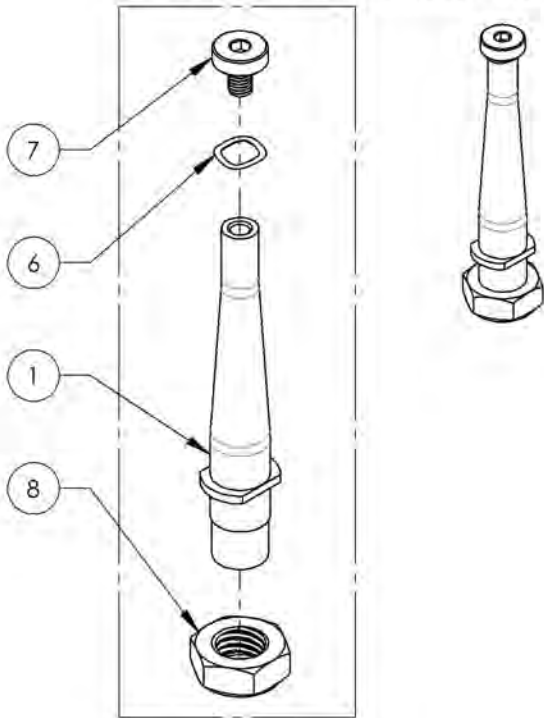
**9002943\_9002945  
Stem Bolt, Anti-Flutter + Hardware**

**APPLICABLE ON WHEELCHAIRS  
SINCE 2017/02/13**

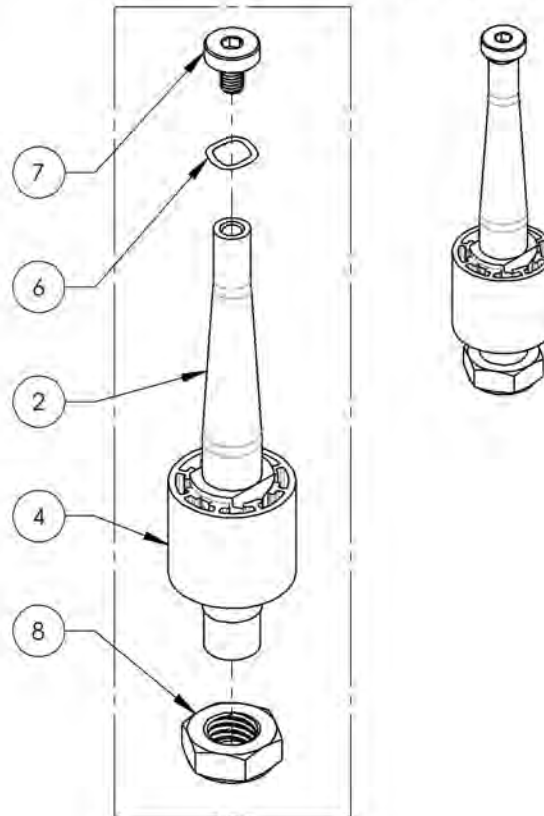
**APPLICABLE ON MOVE  
WHEELCHAIRS SINCE 2018/03/22**

ITEM NO.	PARTNO	DESCRIPTION	9002943 /QTY.	9002944 /QTY.	9002945 /QTY.
1	22090	STEM BOLT STD	1	-	-
2	22091	STEM BOLT + 1 in	-	1	-
3	22092	STEM BOLT + 2 in	-	-	1
4	22149	STEM BOLT COVER +1 in	-	1	-
5	22150	STEM BOLT COVER +2 in	-	-	1
6	22095	TRIPLE-WAVE STEEL WASHER 0.320in ID, 0.437in OD	1	1	1
7	91038	MACHINE SCREW M5X0.8 X 12mm	1	1	1
8	90992	M12 LOW NYLON LOCK	1	1	1

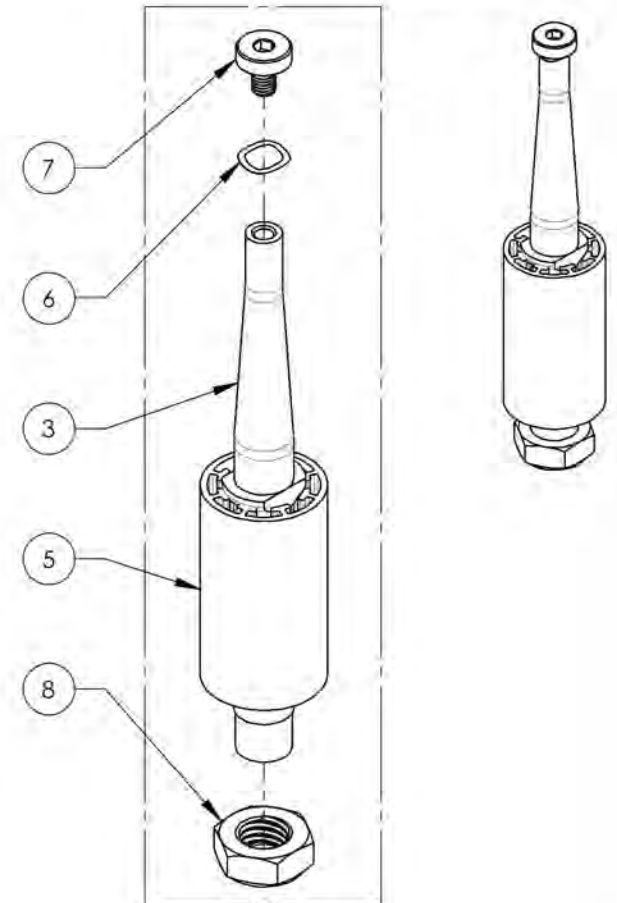
9002943  
Stem Bolt Standard, Anti-Flutter + Hardware



9002944  
Stem Bolt +1 in, Anti-Flutter + Hardware



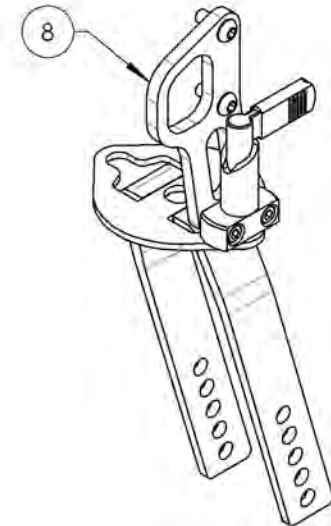
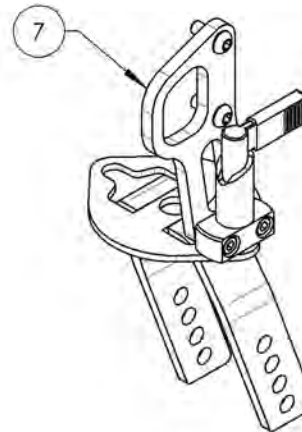
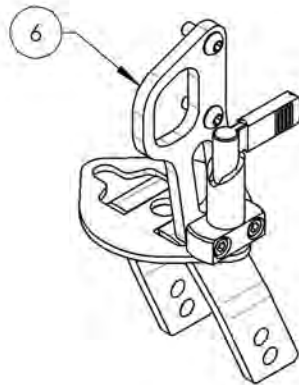
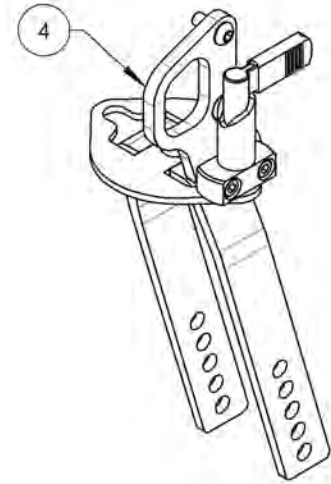
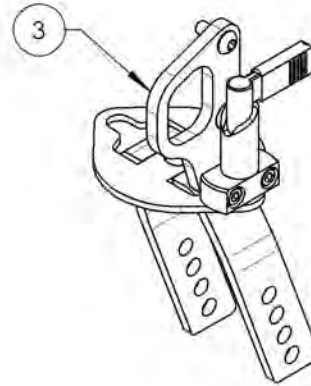
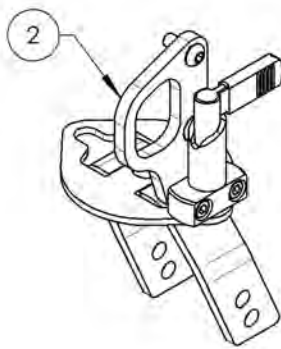
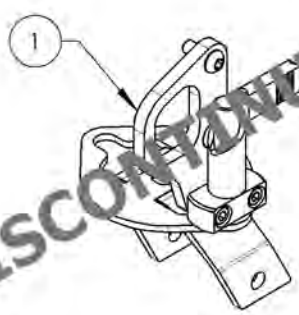
9002945  
Stem Bolt +2 in, Anti-Flutter + Hardware



MAKE SURE TO HAVE YOUR SERIAL NUMBER  
NEARBY WHEN ORDERING PARTS FOR YOUR  
MOTION COMPOSITES WHEELCHAIR

**Quick Order Catalogue  
Caster Lock Pin Assembly**

ITEM NO.	PARTNO	DESCRIPTION	QTY
1	9002918	Fork - 3 in, Wheelchair Transit Tie Down, With +1 in Caster Lock Pin	1
2	9002919	Fork - 4 in, Wheelchair Transit Tie Down, With +1 in Caster Lock Pin	1
3	9002920	Fork - 5 in, Wheelchair Transit Tie Down, With +1 in Caster Lock Pin	1
4	9002921	Fork - 7 in, Wheelchair Transit Tie Down, With +1 in Caster Lock Pin	1
5	9002922	Fork - 3 in, Wheelchair Transit Tie Down, With +2 in Caster Lock Pin	1
6	9002923	Fork - 4 in, Wheelchair Transit Tie Down, With +2 in Caster Lock Pin	1
7	9002924	Fork - 5 in, Wheelchair Transit Tie Down, With +2 in Caster Lock Pin	1
8	9002925	Fork - 7 in, Wheelchair Transit Tie Down, With +2 in Caster Lock Pin	1



DISCONTINUED

DISCONTINUED

MAKE SURE TO HAVE YOUR SERIAL NUMBER NEARBY WHEN ORDERING PARTS FOR YOUR MOTION COMPOSITES WHEELCHAIR

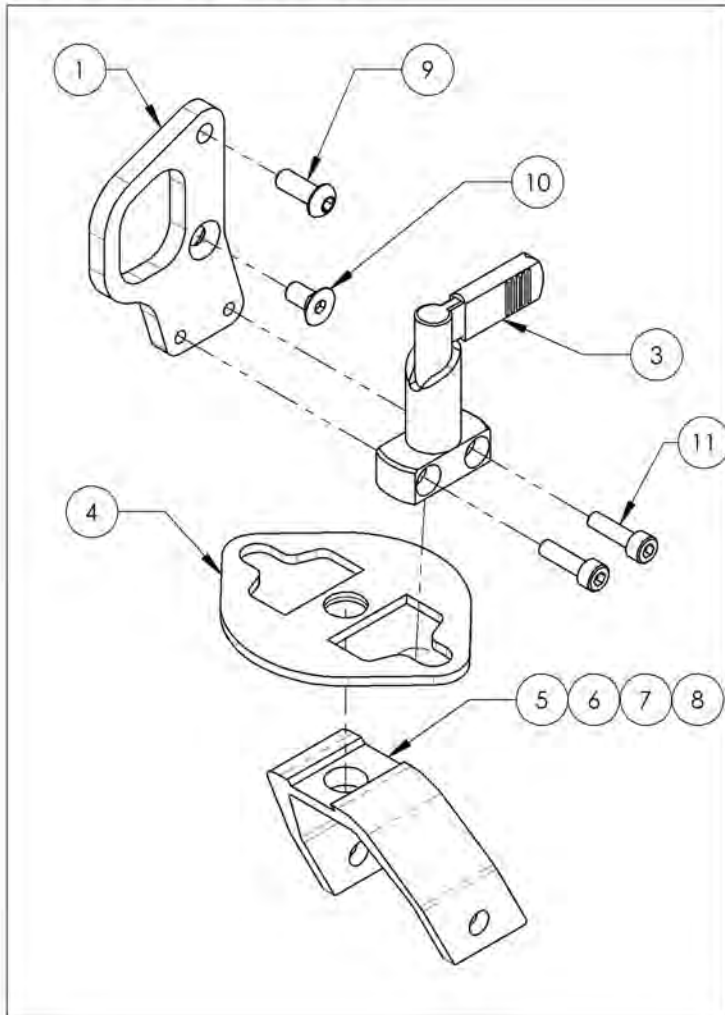
**9002918\_9002925**

**Fork - Wheelchair Transit Tie Down, With Caster Lock Pin**

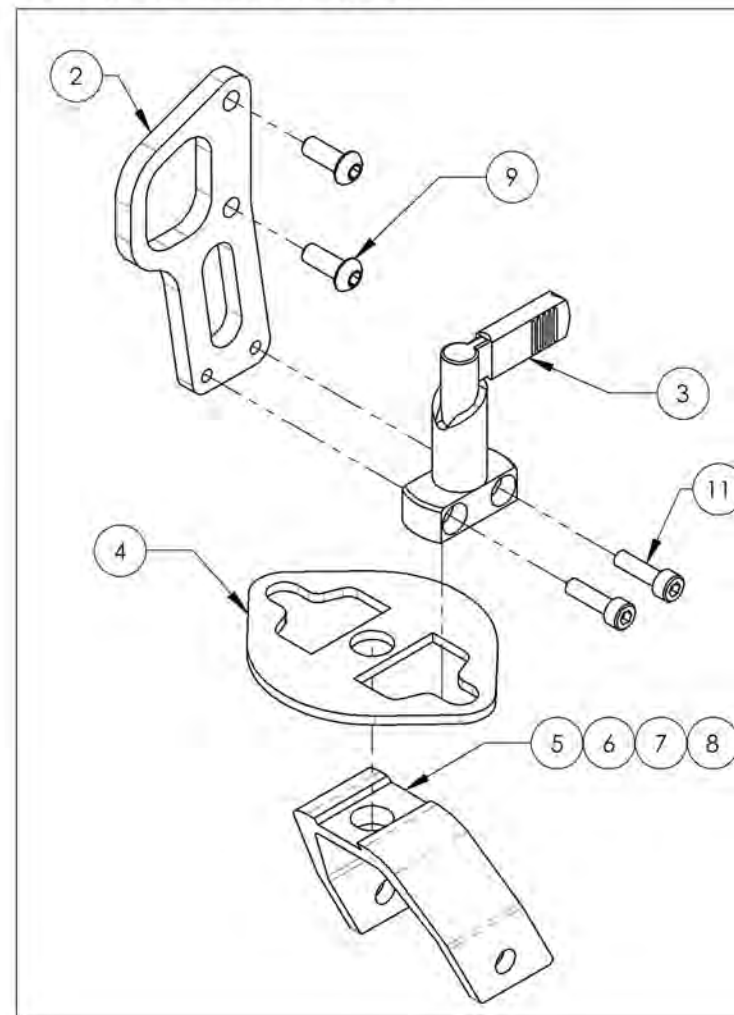
**\*9002918 and 9002922  
are discontinued**

ITEM NO.	PARTNO	DESCRIPTION	9002918 /QTY.*	9002919 /QTY.	9002920 /QTY.	9002921 /QTY.	9002922 /QTY.*	9002923 /QTY.	9002924 /QTY.	9002925 /QTY.
1	22061	FRONT TIE DOWN +1 FOR CASTER LOCK PIN	1	1	1	1	-	-	-	-
2	22062	FRONT TIE DOWN +2 FOR CASTER LOCK PIN	-	-	-	-	1	1	1	1
3	22063	SLIDER LOCK FOR CASTER LOCK PIN	1	1	1	1	1	1	1	1
4	22060	CASTER LOCK PIN PLATE	1	1	1	1	1	1	1	1
5	22067	3"x1½" MACHINED FORK FOR CASTER LOCK PIN	1	-	-	-	1	-	-	-
6	22064	4"x2" MACHINED FORK FOR CASTER LOCK PIN	-	1	-	-	-	1	-	-
7	22065	5"x2" MACHINED FORK FOR CASTER LOCK PIN	-	-	1	-	-	-	1	-
8	22066	7"x2" MACHINED FORK FOR CASTER LOCK PIN	-	-	-	1	-	-	-	1
9	90659	BUTTON HEAD CAP SCREW M6X1 X 16mm LONG, FULLY THREADED + BLUE THREADLOCKER - BLACK ZINC	1	1	1	1	2	2	2	2
10	90864	FLAT HEAD CAP SCREW M6X1 X 12mm LONG, FULLY THREADED + BLUE LOCTITE	1	1	1	1	-	-	-	-
11	90748	SOCKET CAP SCREW M5X0.8 X 18mm LONG, FULLY THREADED + BLUE TREADLOCKER - BLACK ZINC	2	2	2	2	2	2	2	2

Front Wheelchair Transit Tie Down With Fork & +1" Castor Lock Pin



Front Wheelchair Transit Tie Down With Fork & +2" Castor Lock Pin

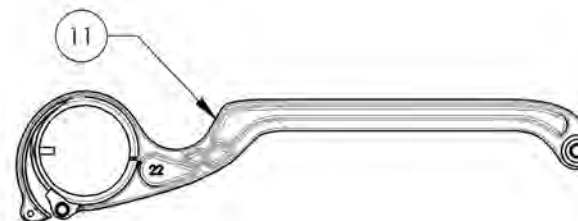
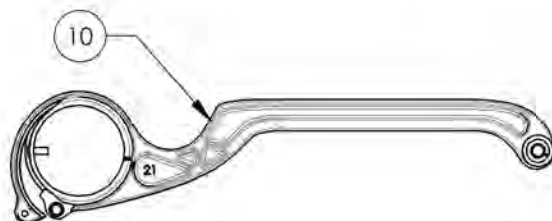
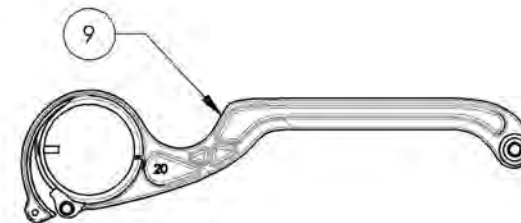
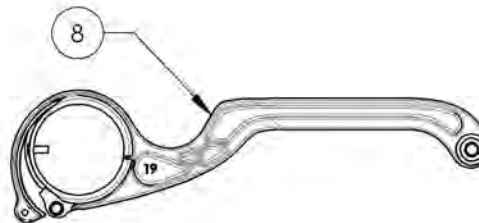
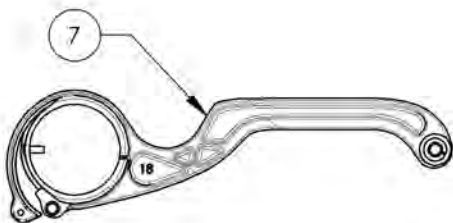
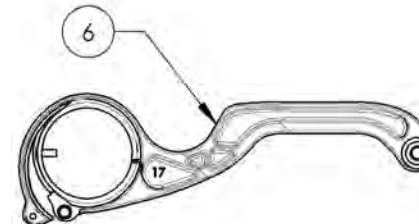
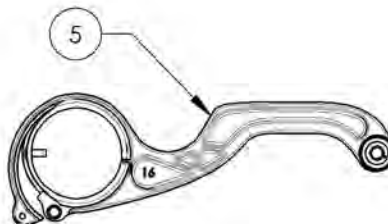
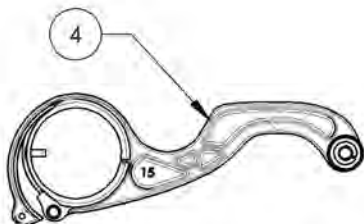
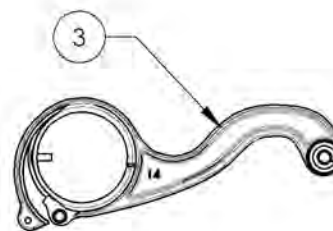
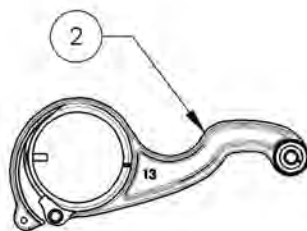
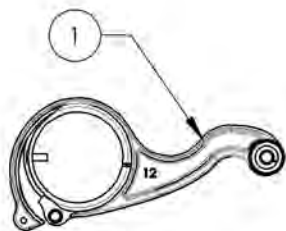


MAKE SURE TO HAVE YOUR SERIAL NUMBER NEARBY WHEN ORDERING PARTS FOR YOUR MOTION COMPOSITES WHEELCHAIR



**Quick Order Catalogue  
Link & Hardware**

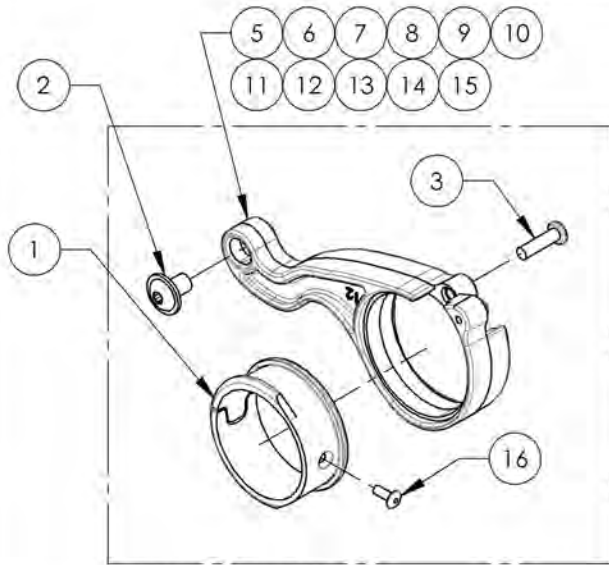
ITEM NO.	PARTNO	DESCRIPTION	QTY.
1	9002150	Link - 12 in + Hardware	1
2	9002151	Link - 13 in + Hardware	1
3	9002152	Link - 14 in + Hardware	1
4	9002153	Link - 15 in + Hardware	1
5	9002154	Link - 16 in + Hardware	1
6	9002155	Link - 17 in + Hardware	1
7	9002156	Link - 18 in + Hardware	1
8	9002157	Link - 19 in + Hardware	1
9	9002158	Link - 20 in + Hardware	1
10	9002159	Link - 21 in + Hardware	1
11	9002160	Link - 22 in + Hardware	1



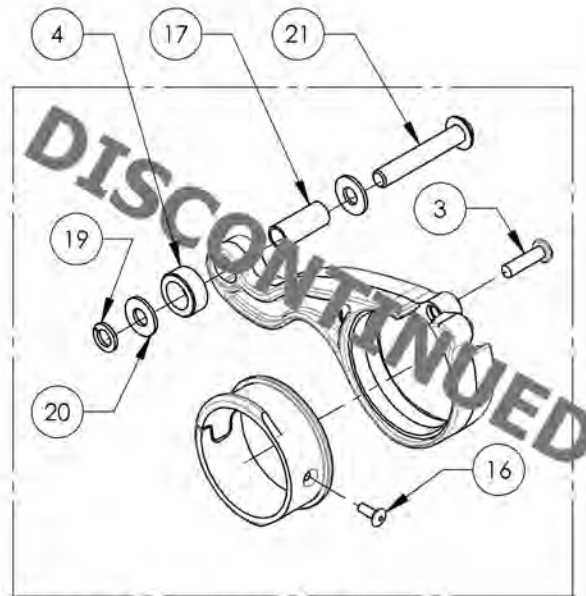
MAKE SURE TO HAVE YOUR SERIAL NUMBER  
NEARBY WHEN ORDERING PARTS FOR YOUR  
MOTION COMPOSITES WHEELCHAIR

**9002150\_9002160**  
**Link + Hardware**

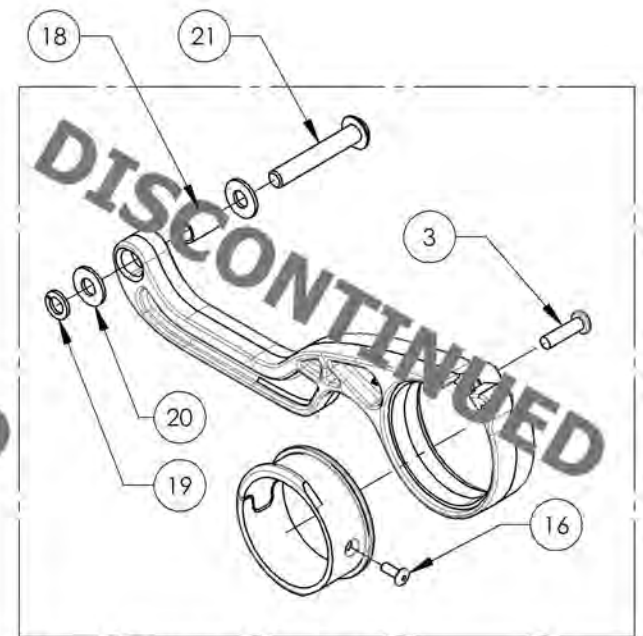
ITEM NO.	PARTNO	DESCRIPTION	9002150 /QTY.	9002151 /QTY.	9002152 /QTY.	9002153 /QTY.	9002154 /QTY.	9002155 /QTY.	9002156 /QTY.	9002157 /QTY.	9002158 /QTY.	9002159 /QTY.	9002160 /QTY.
1	12140	LINK GUIDE	1	1	1	1	1	1	1	1	1	1	1
2	91009	FLANGE BUTTON HEAD CAP SCREW, M5X.8 X 8mm	1	1	1	1	1	1	1	1	1	1	1
3	99000	SCREW PHILLIPS PAN HD #6-32 X 1/2	1	1	1	1	1	1	1	1	1	1	1
4	22028	CASTER SPACER SMALL	1	1	1	1	1	-	-	-	-	-	-
5	12152	12in A7_C2 LINK	1	-	-	-	-	-	-	-	-	-	-
6	12153	13in A7_C2 LINK	-	1	-	-	-	-	-	-	-	-	-
7	12154	14in A7_C2 LINK	-	-	1	-	-	-	-	-	-	-	-
8	12155	15in A7_C2 LINK	-	-	-	1	-	-	-	-	-	-	-
9	12156	16in A7_C2 LINK	-	-	-	-	1	-	-	-	-	-	-
10	12157	17in A7_C2 LINK	-	-	-	-	-	1	-	-	-	-	-
11	12158	18in A7_C2 LINK	-	-	-	-	-	-	1	-	-	-	-
12	12159	19in A7_C2 LINK	-	-	-	-	-	-	-	1	-	-	-
13	12160	20in A7_C2 LINK	-	-	-	-	-	-	-	-	1	-	-
14	12161	21in A7_C2 LINK	-	-	-	-	-	-	-	-	-	1	-
15	12162	22in A7_C2 LINK	-	-	-	-	-	-	-	-	-	-	1
16	99660	POP RIVET 3_32 D X .365 L X .126_250	1	1	1	1	1	1	1	1	1	1	1
17	99605	SPACER M5 BOLT, 16MM LG, 0.7MM WALL THK	1	1	1	1	1	-	-	-	-	-	-
18	99600	SPACER M5 BOLT, 10MM LG, 0.7MM WALL THK	-	-	-	-	-	1	1	1	1	1	1
19	99598	LOCKWASHER #10 (.062 WIDE X .047 THK)	1	1	1	1	1	1	1	1	1	1	1
20	99550	WASHER #10 .200 ID X 7_16 OD X .037 THK - BLACK ZINC	2	2	2	2	2	2	2	2	2	2	2
21	90651	BUTTON HEAD CAP SCREW M5X0.8 X 30mm LONG, FULLY THREADED	1	1	1	1	1	1	1	1	1	1	1



**ACTUAL ASSEMBLY**



**PREVIOUS ASSEMBLY (12" TO 16")**

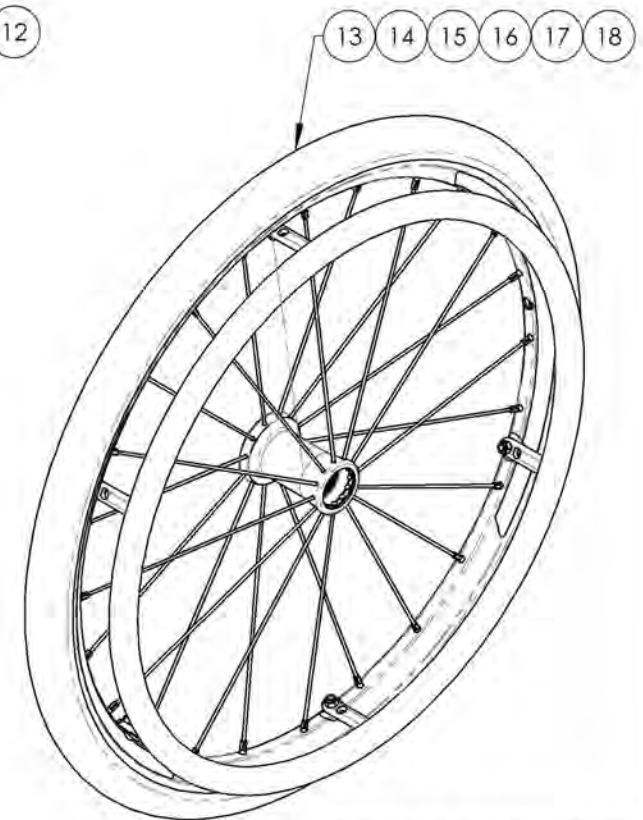
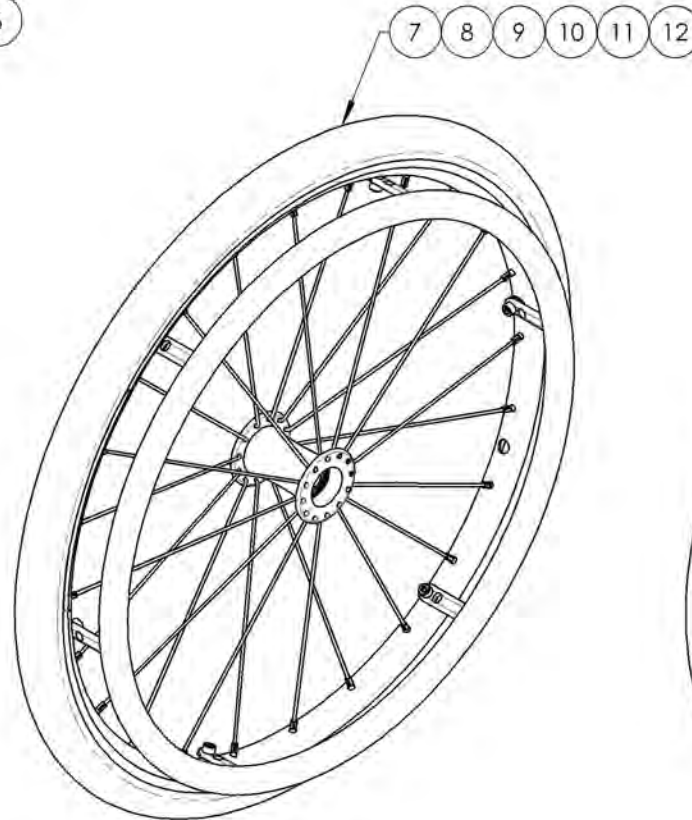
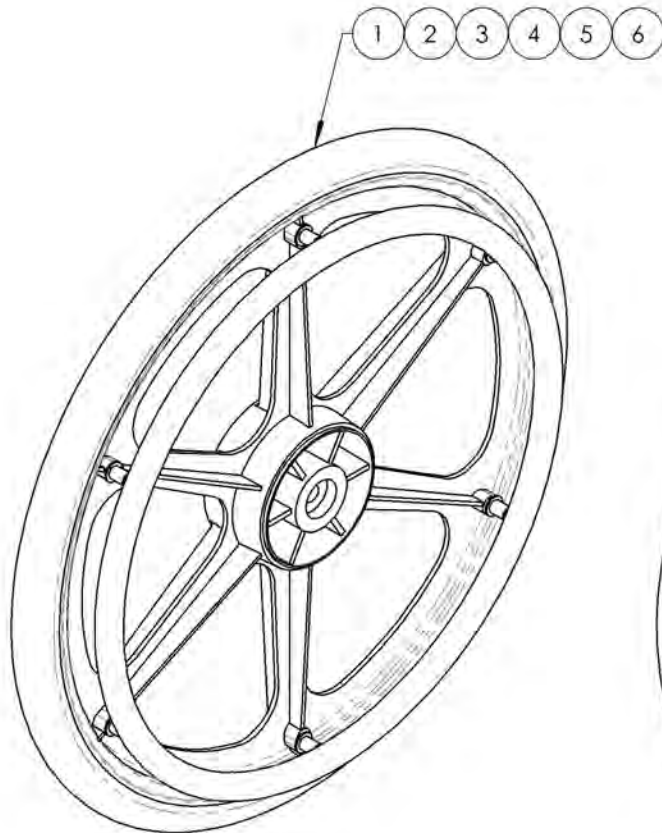


**PREVIOUS ASSEMBLY (17" TO 22")**

MAKE SURE TO HAVE YOUR SERIAL NUMBER NEARBY WHEN ORDERING PARTS FOR YOUR MOTION COMPOSITES WHEELCHAIR

**Quick Order Catalogue**  
**Rear Wheel Assembly**

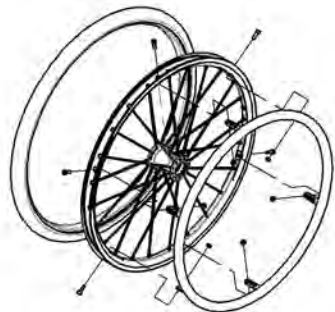
ITEM NO.	PARTNO	DESCRIPTION	QTY:
1	9002169	Rear Wheel - Mag + Soft Urethane Tire + Aluminium Handrim, 20 in	1
2	9002170	Rear Wheel - Mag + Soft Urethane Tire + Plastic Coated Handrim, 20 in	1
3	9002171	Rear Wheel - Mag + Soft Urethane Tire + Aluminium Handrim, 22 in	1
4	9002172	Rear Wheel - Mag + Soft Urethane Tire + Plastic Coated Handrim, 22 in	1
5	9002173	Rear Wheel - Mag + Soft Urethane Tire + Aluminium Handrim, 24 in	1
6	9002174	Rear Wheel - Mag + Soft Urethane Tire + Plastic Coated Handrim, 24 in	1
7	9002148	Rear Wheel - Newton One + Soft Urethane Tire + Aluminium Handrim, 20 in	1
8	9002149	Rear Wheel - Newton One + Soft Urethane Tire + Plastic Coated Handrim, 20 in	1
9	9002175	Rear Wheel - Newton One + Soft Urethane Tire + Aluminium Handrim, 22 in	1
10	9002176	Rear Wheel - Newton One + Soft Urethane Tire + Plastic Coated Handrim, 22 in	1
11	9002177	Rear Wheel - Newton One + Soft Urethane Tire + Aluminium Handrim, 24 in	1
12	9002178	Rear Wheel - Newton One + Soft Urethane Tire + Plastic Coated Handrim, 24 in	1
13	9002179	Rear Wheel - Newton Gravity + Soft Urethane Tire + Aluminium Handrim, 20 in	1
14	9002180	Rear Wheel - Newton Gravity + Soft Urethane Tire + Plastic Coated Handrim, 20 in	1
15	9002181	Rear Wheel - Newton Gravity + Soft Urethane Tire + Aluminium Handrim, 22 in	1
16	9002182	Rear Wheel - Newton Gravity + Soft Urethane Tire + Plastic Coated Handrim, 22 in	1
17	9002183	Rear Wheel - Newton Gravity + Soft Urethane Tire + Aluminium Handrim, 24 in	1
18	9002184	Rear Wheel - Newton Gravity + Soft Urethane Tire + Plastic Coated Handrim, 24 in	1



MAKE SURE TO HAVE YOUR SERIAL NUMBER  
 NEARBY WHEN ORDERING PARTS FOR YOUR  
 MOTION COMPOSITES WHEELCHAIR

**9002148\_9002149 & 9002169\_9002184**  
**Rear Wheel Assembly**

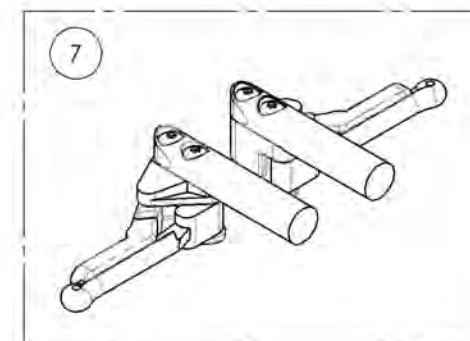
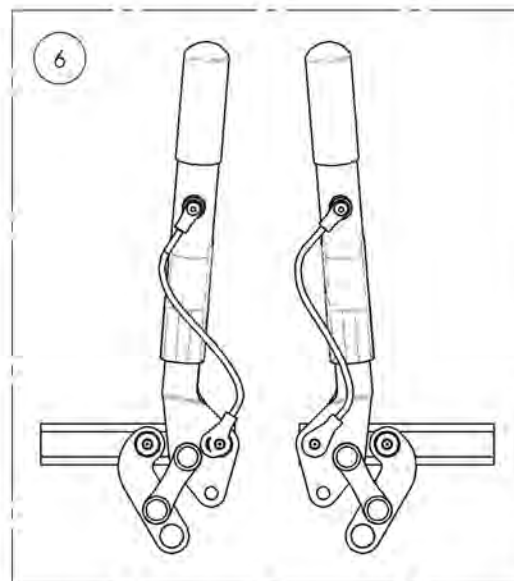
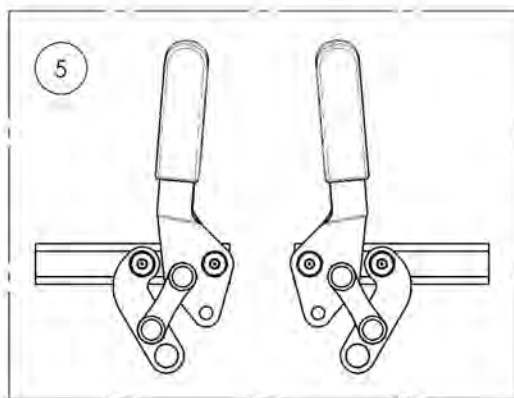
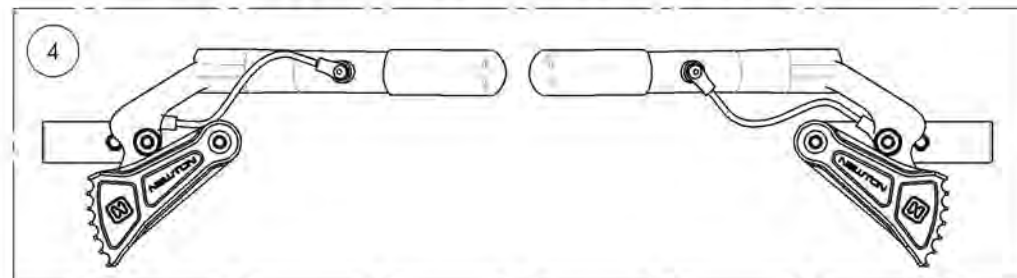
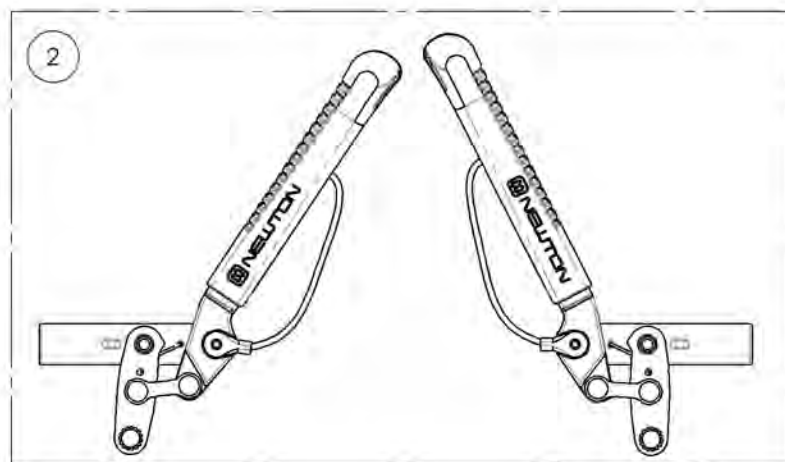
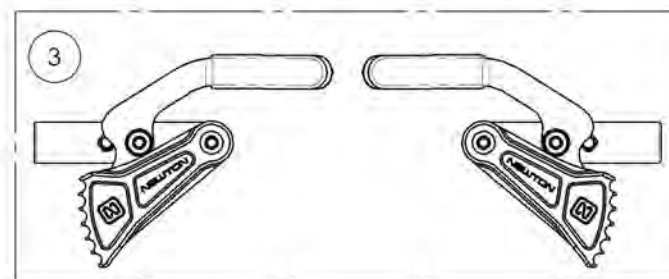
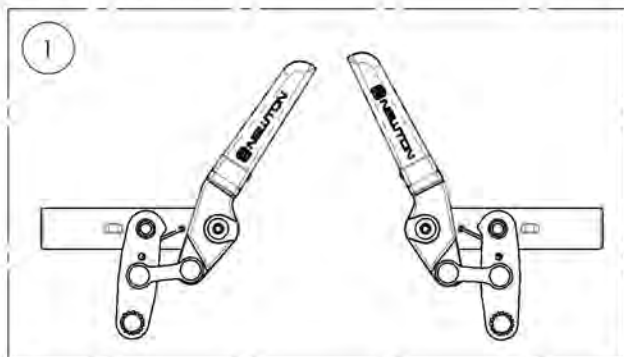
ITEM NO.	PARTNO	DESCRIPTION	9002169 /QTY.	9002170 /QTY.	9002171 /QTY.	9002172 /QTY.	9002173 /QTY.	9002174 /QTY.	9002148 /QTY.	9002149 /QTY.	9002175 /QTY.	9002176 /QTY.	9002177 /QTY.	9002178 /QTY.	9002179 /QTY.	9002180 /QTY.	9002181 /QTY.	9002182 /QTY.	9002183 /QTY.	9002184 /QTY.
1	21105	20" MAG WHEEL	1	1	-	-	-	-	-	-	-	-	-	-	-	-	-	-	-	-
2	21106	22" MAG WHEEL	-	-	1	1	-	-	-	-	-	-	-	-	-	-	-	-	-	-
3	21107	24" MAG WHEEL	-	-	-	-	1	1	-	-	-	-	-	-	-	-	-	-	-	-
4	21118	20 in NEWTON ONE WHEEL	-	-	-	-	-	-	1	1	-	-	-	-	-	-	-	-	-	-
5	21110	22 in NEWTON ONE WHEEL	-	-	-	-	-	-	-	-	1	1	-	-	-	-	-	-	-	-
6	21111	24 in NEWTON ONE WHEEL	-	-	-	-	-	-	-	-	-	-	1	1	-	-	-	-	-	-
7	21113	20" NEWTON GRAVITY WHEEL	-	-	-	-	-	-	-	-	-	-	-	-	1	1	-	-	-	-
8	21114	22" NEWTON GRAVITY WHEEL	-	-	-	-	-	-	-	-	-	-	-	-	-	-	1	1	-	-
9	21115	24" NEWTON GRAVITY WHEEL	-	-	-	-	-	-	-	-	-	-	-	-	-	-	-	-	1	1
10	21365	SOFT URETHANE TIRE 20 x 1 1/4in	1	1	-	-	-	-	1	1	-	-	-	-	1	1	-	-	-	-
11	21366	SOFT URETHANE TIRE 22 x 1 1/4in	-	-	1	1	-	-	-	-	1	1	-	-	-	-	1	1	-	-
12	21367	SOFT URETHANE TIRE 24 x 1 1/4in	-	-	-	-	1	1	-	-	-	-	1	1	-	-	-	-	1	1
13	21236	20" ALUMINUM ANODIZED HANDRIM- MAG WHEEL	1	-	-	-	-	-	-	-	-	-	-	-	-	-	-	-	-	-
14	21205	22" ALUMINUM ANODIZED HANDRIM- MAG WHEEL	-	-	1	-	-	-	-	-	-	-	-	-	-	-	-	-	-	-
15	21206	24" ALUMINUM ANODIZED HANDRIM- MAG WHEEL	-	-	-	-	1	-	-	-	-	-	-	-	-	-	-	-	-	-
16	21237	20in PLASTIC COATED HANDRIM - MAG WHEEL	-	1	-	-	-	-	-	-	-	-	-	-	-	-	-	-	-	-
17	21207	22 IN PLASTIC COATED HANDRIM - MAG WHEEL	-	-	-	1	-	-	-	-	-	-	-	-	-	-	-	-	-	-
18	21208	24 IN PLASTIC COATED HANDRIM - MAG WHEEL	-	-	-	-	-	1	-	-	-	-	-	-	-	-	-	-	-	-
19	21200	20in ALUMINUM ANODIZED HANDRIM	-	-	-	-	-	-	1	-	-	-	-	-	1	-	-	-	-	-
20	21201	22in ALUMINUM ANODIZED HANDRIM	-	-	-	-	-	-	-	-	1	-	-	-	-	-	1	-	-	-
21	21202	24in ALUMINUM ANODIZED HANDRIM	-	-	-	-	-	-	-	-	-	1	-	-	-	-	-	-	1	-
22	21210	20 in PLASTIC COATED HANDRIM	-	-	-	-	-	-	-	1	-	-	-	-	-	1	-	-	-	-
23	21211	22 in PLASTIC COATED HANDRIM	-	-	-	-	-	-	-	-	-	1	-	-	-	-	-	1	-	-
24	21212	24 in PLASTIC COATED HANDRIM	-	-	-	-	-	-	-	-	-	-	1	-	-	-	-	-	-	1
25	99601	SPACER HANDRIM MAG (last: 200 + 200 comm)	6	6	4	4	4	4	-	-	-	-	-	-	-	-	-	-	-	-
26	99013	SCREW PHILLIPS PAN HD #10_32 X 1_1_2 + BLUE THREADLOCKER	6	6	-	-	-	-	-	-	-	-	-	-	-	-	-	-	-	-
27	99564	FLAT WASHER M5 POUR HANDRIM MAG	12	12	8	8	8	8	-	-	-	-	-	-	-	-	-	-	-	-
28	90989	M5 LOW NYLON LOCK	-	-	-	-	-	-	-	-	-	-	-	-	6	6	6	6	6	6
29	21500	REAR WHEEL LOCKNUT INSERT - ASSEMBLY	-	-	-	-	-	-	6	6	6	6	6	6	-	-	-	-	-	-
30	99015	SCREW PHILLIPS #10-32 X 2" HANDRIM MAG + BLUE THREADLOCKER	-	-	4	4	4	4	-	-	-	-	-	-	-	-	-	-	-	-
31	90746	SOCKET CAP SCREW M5X0.8 X 15mm LONG, FULLY THREADED + BLUE TREADLOCKER - BLACK ZINC	-	-	-	-	-	-	6	6	6	6	6	6	-	-	-	-	-	-
32	90744	SOCKET CAP SCREW M5X0.8 X 12mm LONG, FULLY THREADED + BLUE TREADLOCKER - BLACK ZINC	-	-	-	-	-	-	-	-	-	-	-	-	6	6	6	6	6	6



MAKE SURE TO HAVE YOUR SERIAL NUMBER NEARBY WHEN ORDERING PARTS FOR YOUR MOTION COMPOSITES WHEELCHAIR

**Quick Order Catalogue  
Wheel Lock Pair Assembly**

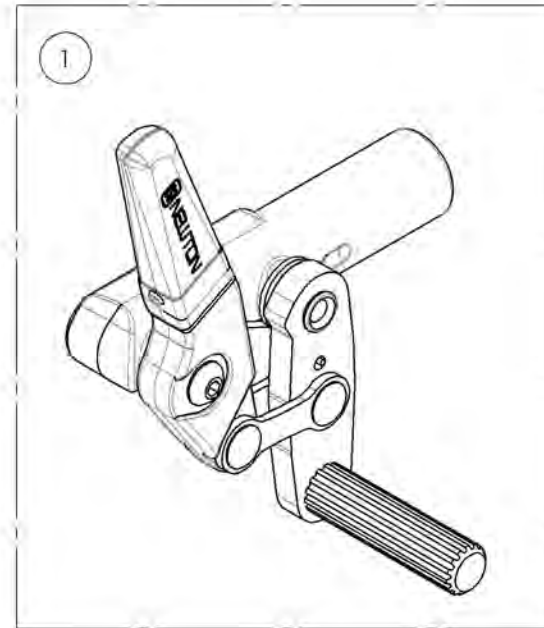
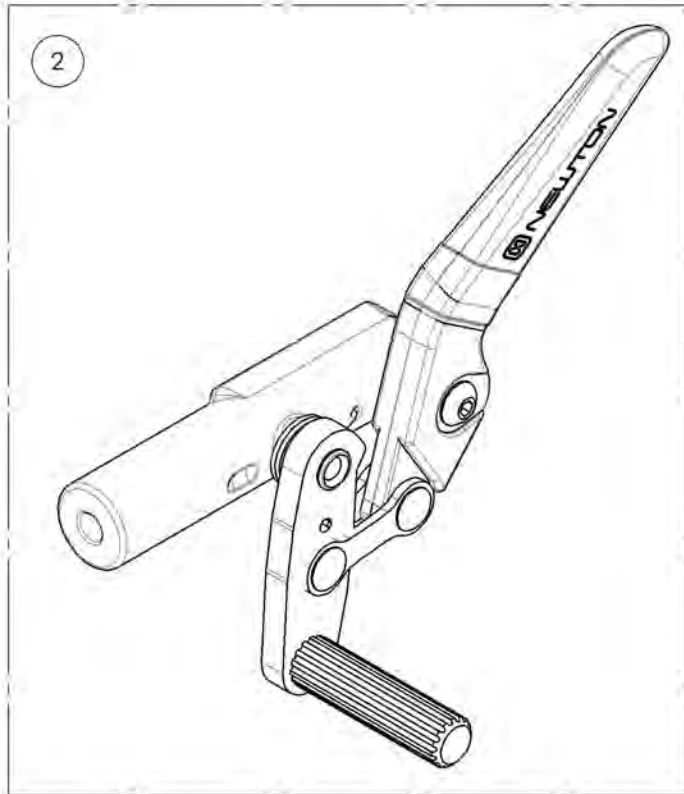
ITEM NO.	PARTNO	DESCRIPTION	QTY.
1	9003022	Wheel Lock - Newton Spring Loaded Push to Lock (Pair)	1
2	9003023	Wheel Lock - Newton Spring Loaded Push to Lock, 6 in Removable Extension Handle (Pair)	1
3	9002269	Wheel Lock - Newton Grade Aid, Push to Lock (Pair)	1
4	9003024	Wheel Lock - Newton Grade Aid, Push to Lock, 6 in Removable Extension Handle (Pair)	1
5	9001577	Wheel Lock - Pull to Lock (Pair)	1
6	9001579	Wheel Lock - Pull to Lock, 6 in Removable Extension Handle (Pair)	1
7	9002268	Wheel Lock - Scissor (Pair)	1



MAKE SURE TO HAVE YOUR SERIAL NUMBER  
NEARBY WHEN ORDERING PARTS FOR YOUR  
MOTION COMPOSITES WHEELCHAIR

**9003022**  
**Wheel Lock - Newton Spring Loaded Push to Lock (Pair)**

ITEM NO.	PARTNO	DESCRIPTION	9003022 /QTY.
1	41056	NEWTON PUSH SPRING WHEEL LOCK, LEFT - ASSY	1
2	41057	NEWTON PUSH SPRING WHEEL LOCK, RIGHT - ASSY	1

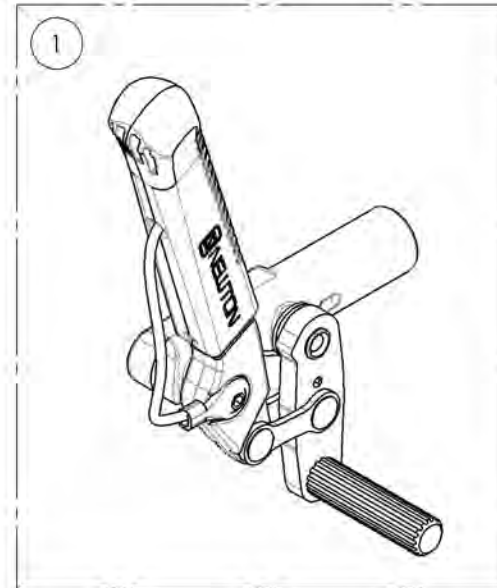
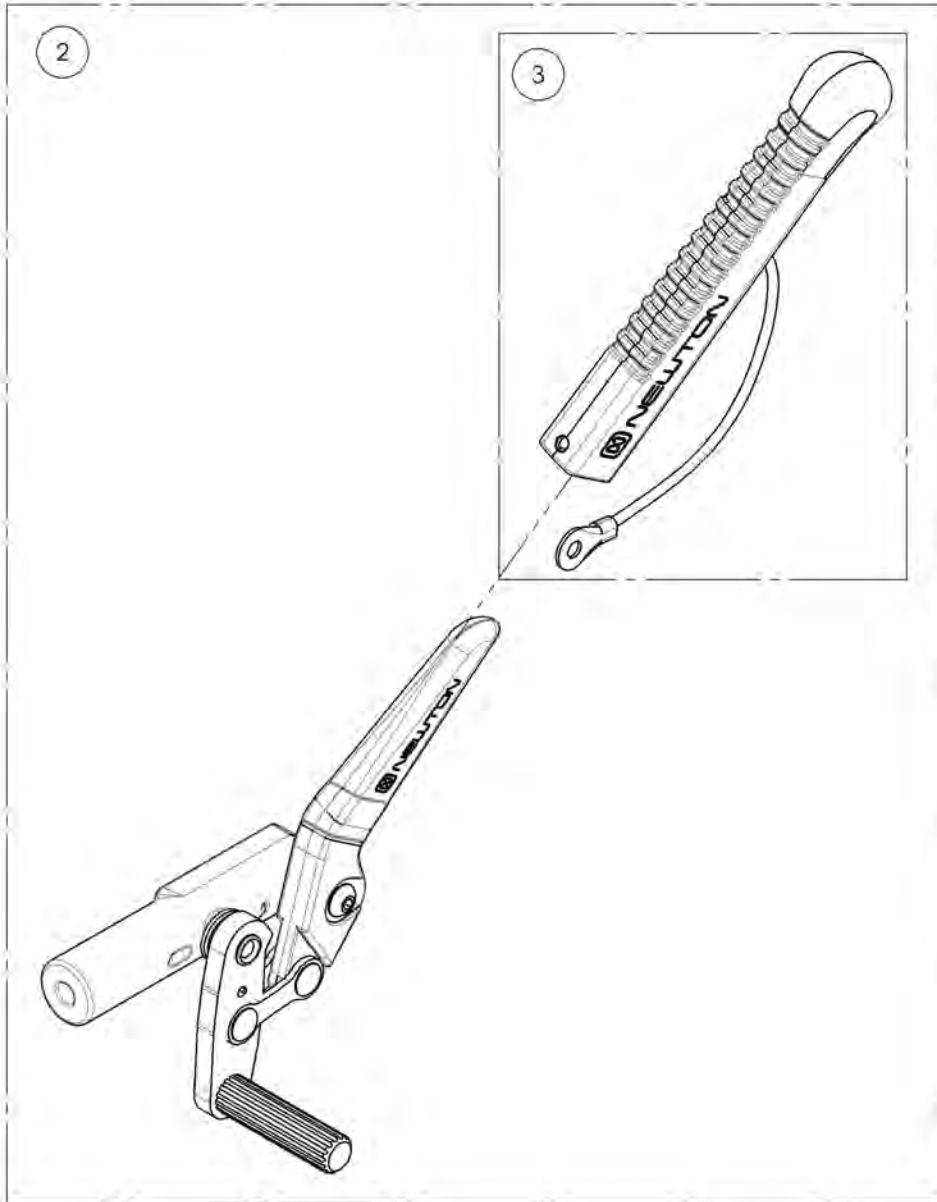


MAKE SURE TO HAVE YOUR SERIAL NUMBER  
NEARBY WHEN ORDERING PARTS FOR YOUR  
MOTION COMPOSITES WHEELCHAIR



**9003023**  
**Wheel Lock - Newton Spring Loaded Push to Lock,**  
**6 in Removable Extension Handle (Pair)**

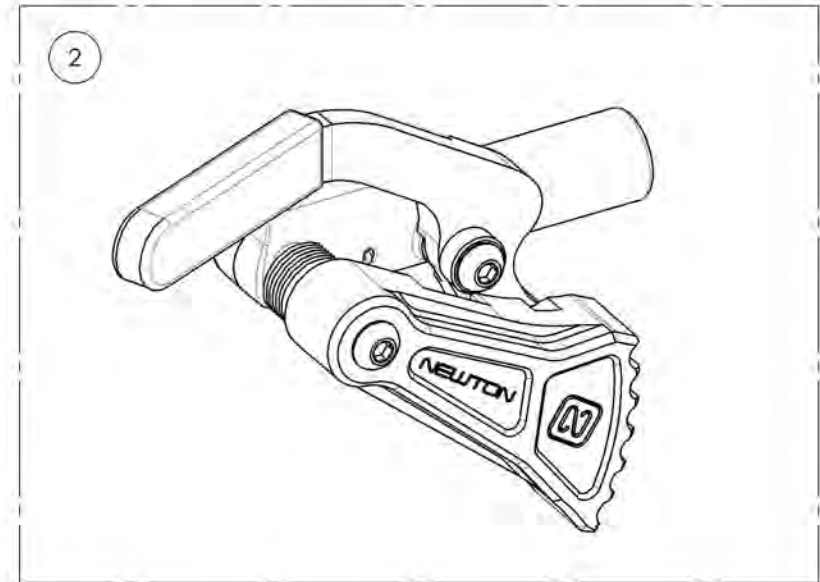
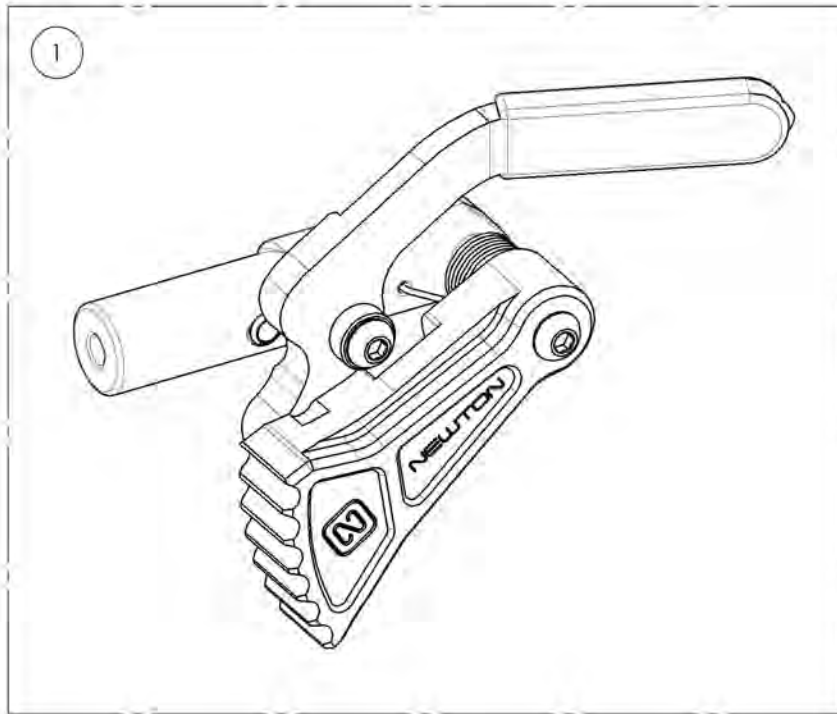
ITEM NO.	PARTNO	DESCRIPTION	9003023 /QTY.	REPLACEMENT PARTS/QTY.
1	41051	NEWTON PUSH SPRING WHEEL LOCK + EXTENSION, LEFT - ASSY	1	-
2	41052	NEWTON PUSH SPRING WHEEL LOCK + EXTENSION, RIGHT - ASSY	1	-
3	41500	NEWTON REMOVABLE EXTENSION HANDLE - ASSEMBLY	-	1



MAKE SURE TO HAVE YOUR SERIAL NUMBER  
 NEARBY WHEN ORDERING PARTS FOR YOUR  
 MOTION COMPOSITES WHEELCHAIR

**9002269**  
**Wheel Lock - Newton Grade Aid, Push to Lock (Pair)**

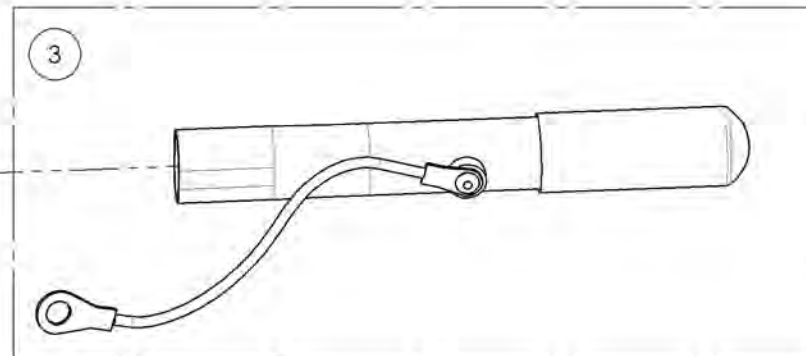
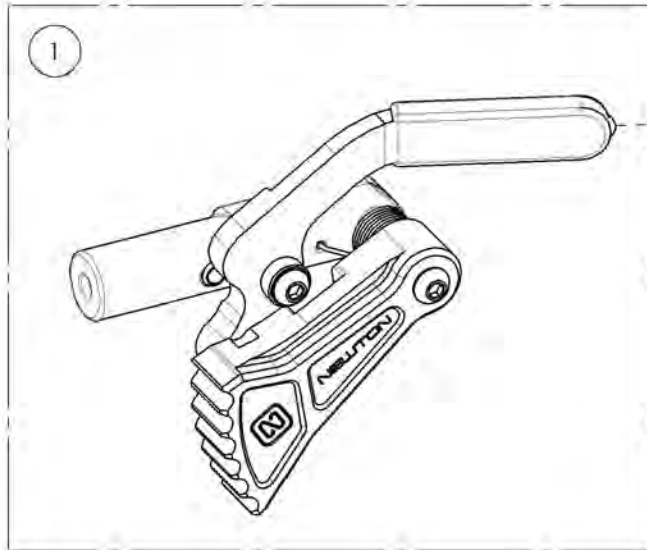
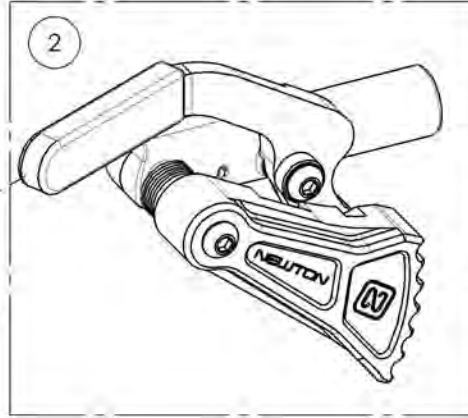
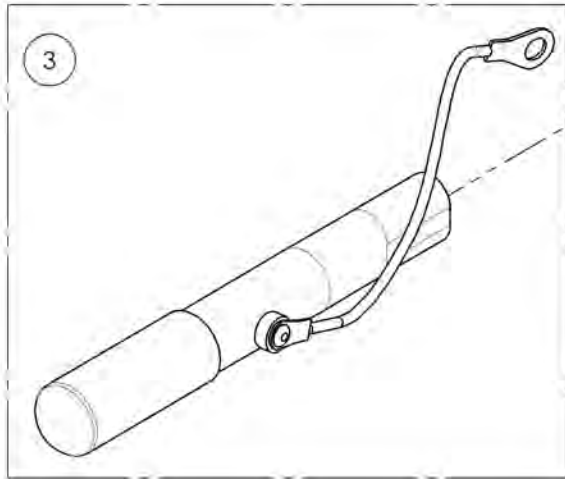
ITEM NO.	PARTNO	DESCRIPTION	9002269 /QTY.
1	41035	GRADE AID WHEEL LOCK, RIGHT - ASSY	1
2	41036	GRADE AID WHEEL LOCK, LEFT - ASSY	1



MAKE SURE TO HAVE YOUR SERIAL NUMBER  
NEARBY WHEN ORDERING PARTS FOR YOUR  
MOTION COMPOSITES WHEELCHAIR

**9003024**  
**Wheel Lock - Newton Grade Aid, Push to Lock, 6 in Removable Extension Handle (Pair)**

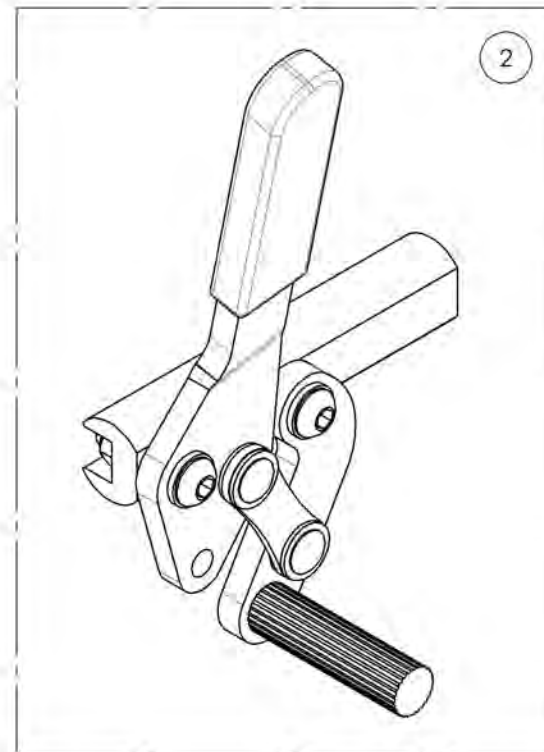
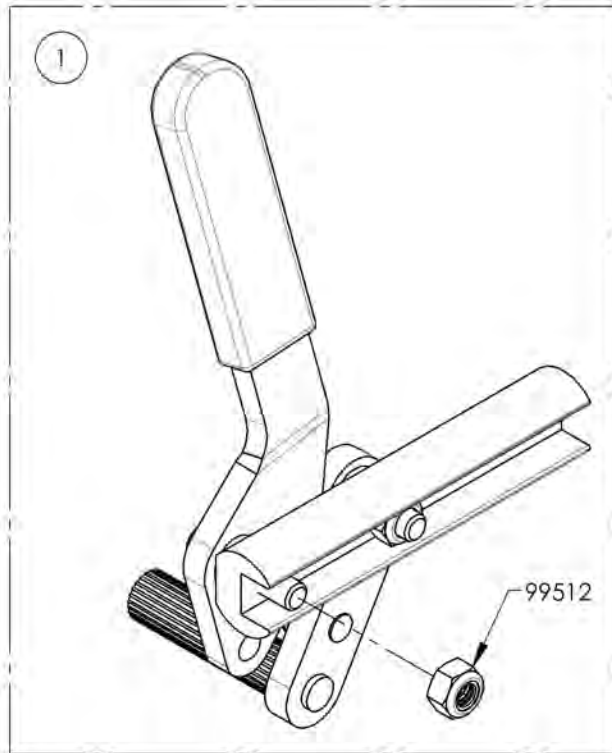
ITEM NO.	PARTNO	DESCRIPTION	9003024 /QTY.
1	41035	GRADE AID WHEEL LOCK, RIGHT - ASSY	1
2	41036	GRADE AID WHEEL LOCK, LEFT - ASSY	1
3	41005	REMOVABLE EXTENSION HANDLE	2



MAKE SURE TO HAVE YOUR SERIAL NUMBER  
 NEARBY WHEN ORDERING PARTS FOR YOUR  
 MOTION COMPOSITES WHEELCHAIR

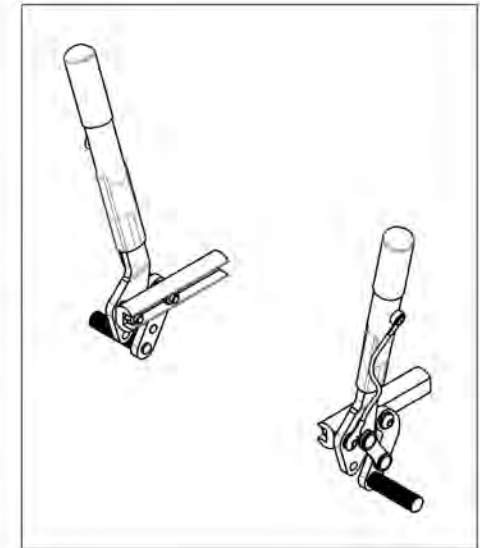
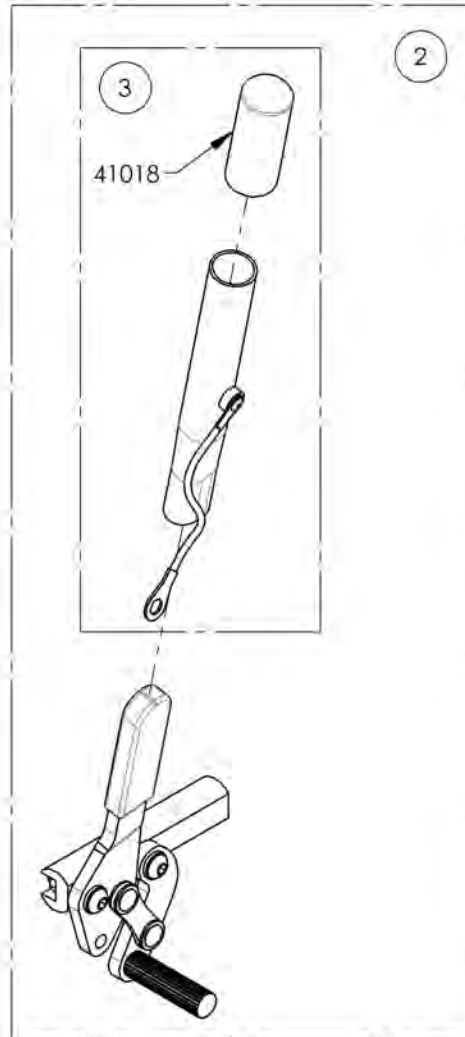
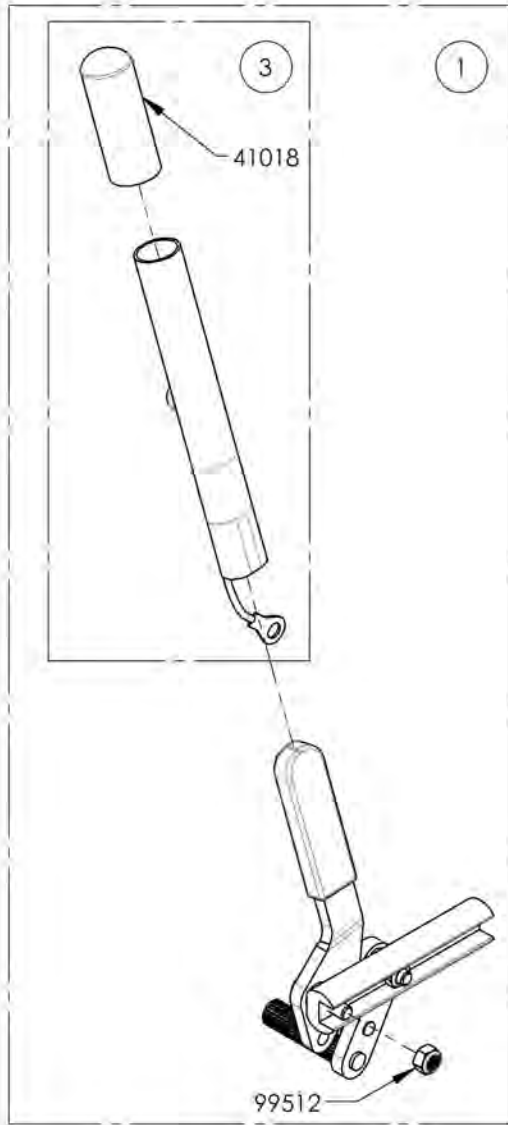
**9001577**  
**Wheel Lock - Pull to Lock (Pair)**

ITEM NO.	PARTNO	DESCRIPTION	9001577 /QTY.
1	41078	PULL TO LOCK WHEEL LOCK, RIGHT	1
2	41079	PULL TO LOCK WHEEL LOCK, LEFT	1



MAKE SURE TO HAVE YOUR SERIAL NUMBER  
NEARBY WHEN ORDERING PARTS FOR YOUR  
MOTION COMPOSITES WHEELCHAIR

**9001579**  
**Wheel Lock - Pull to Lock, 6 in Removable Extension Handle (Pair)**

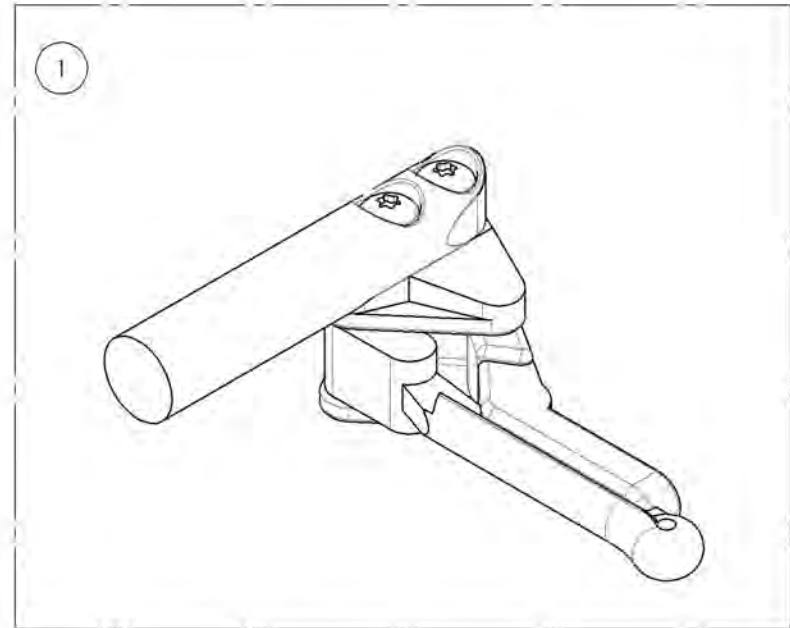
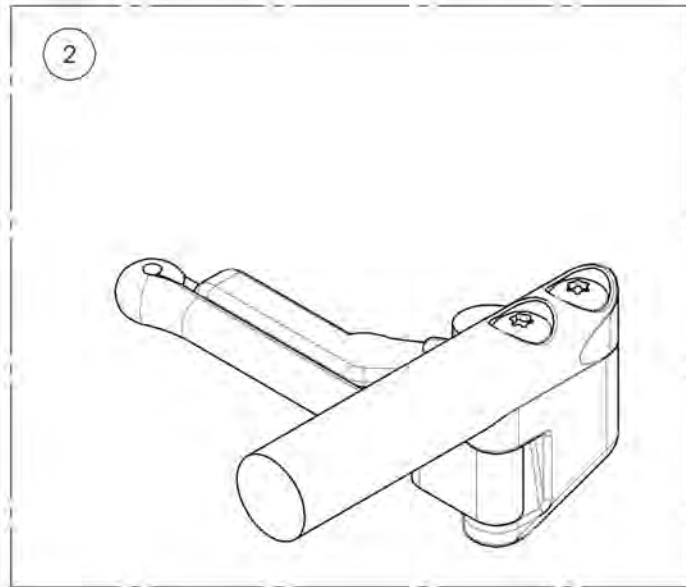


ITEM NO.	PARTNO	DESCRIPTION	9001579 /QTY.	REPLACEMENT PARTS/QTY.
1	41080	PULL TO LOCK WHEEL LOCK + HANDLE, RIGHT	1	-
2	41081	PULL TO LOCK WHEEL LOCK + HANDLE, LEFT	1	-
3	41005	REMOVABLE EXTENSION HANDLE	-	1

MAKE SURE TO HAVE YOUR SERIAL NUMBER  
 NEARBY WHEN ORDERING PARTS FOR YOUR  
 MOTION COMPOSITES WHEELCHAIR

**9002268**  
**Wheel Lock - Scissor (Pair)**

ITEM NO.	PARTNO	DESCRIPTION	9002268 /QTY.
1	41038	OUT-FRONT SCISSOR WHEEL LOCK, LEFT	1
2	41039	OUT-FRONT SCISSOR WHEEL LOCK, RIGHT	1



MAKE SURE TO HAVE YOUR SERIAL NUMBER  
NEARBY WHEN ORDERING PARTS FOR YOUR  
MOTION COMPOSITES WHEELCHAIR