



**Helio A6 - FiveDay**  
 ORDER FORM - CANADA

P.O. number:*	Date:	Ship to:*
Company Name:*	Phone:*	Name:
Purchasing contact:*		Address:
Clinician/Sales rep:		City: Prov:
Email:		Postal Code:
Marked for:		Phone:

\* Required MA080  English Manual (STD) MA081  French Manual Taxes not included

MODEL							
WC19	Ultralight folding Helio A6 Wheelchair - 6000 series aluminum (265lb weight capacity)	WM0001489		\$2345	<input type="checkbox"/>		
WC09	HD Heavy duty kit (350 lb weight capacity)			\$800	<input type="checkbox"/>		
SEAT WIDTH <sup>3</sup>							
SW	Seat width:	14" <input type="checkbox"/>	15" <input type="checkbox"/>	16" <input type="checkbox"/>	17" <input type="checkbox"/>	18" <sup>1</sup> <input type="checkbox"/>	NC <input type="checkbox"/>
SW	Seat width:	19" <sup>1</sup> <input type="checkbox"/>	20" <sup>1</sup> <input type="checkbox"/>	21" <sup>2</sup> <input type="checkbox"/>	22" <sup>2</sup> <input type="checkbox"/>	WAMA	\$305 <input type="checkbox"/>
SEAT DEPTH							
SD	Seat depth:	14" <input type="checkbox"/>	15" <input type="checkbox"/>	16" <input type="checkbox"/>	17" <input type="checkbox"/>	18" <input type="checkbox"/>	NC <input type="checkbox"/>
SD	Seat depth:	19" <input type="checkbox"/>	20" <input type="checkbox"/>			WAMB	\$230 <input type="checkbox"/>

1 - Available with HD Kit (350 lb)

2 - Only with HD Kit (350 lb)

[3. Width calculator](#)

**A6 FRONT Seat-to-floor Height - Please select your choice**

Forks / Position	3" caster			4" caster			5" caster			6" caster			7" caster			8" caster		
	Stem bolt Length			Stem bolt Length			Stem bolt Length			Stem bolt Length			Stem bolt Length			Stem bolt Length		
	STD	+1"	+2"	STD	+1"	+2"	STD	+1"	+2"	STD	+1"	+2"	STD	+1"	+2"	STD	+1"	+2"
4"	P1	12	13	14	12 1/2	13 1/2	14 1/2											
	P2	12 1/2	13 1/2	14 1/2	13	14	15	13 1/2	14 1/2	15 1/2								
5"	P1																	
	P2				13	14	15	13 1/2	14 1/2	15 1/2								
	P3	13	14	15	13 1/2	14 1/2	15 1/2	14	15	16	14 1/2	15 1/2	16 1/2					
7"	P4	13 1/2	14 1/2	15 1/2	14	15	16	14 1/2	15 1/2	16 1/2	15	16	17	15 1/2	16 1/2	17 1/2		
	P1										15 1/2	16 1/2	17 1/2	16	17	18		
	P2							15 1/2	16 1/2	17 1/2	16	17	18	16 1/2	17 1/2	18 1/2		
	P3							16	17	18	16 1/2	17 1/2	18 1/2	17	18	19	17 1/2	18 1/2
	P4	15 1/2	16 1/2	17 1/2	16	17	18	16 1/2	17 1/2	18 1/2	17	18	19	17 1/2	18 1/2	19 1/2	18	19
P5	16	17	18	16 1/2	17 1/2	18 1/2	17	18	19	17 1/2	18 1/2	19 1/2	18	19	20	18 1/2	19 1/2	20 1/2

Height available +/- 1/4" (see stem bolt and fork combination at the end of the order form)

CASTERS												
CA01	Composite wheel w/ PU tire (1" width)	3" <input type="checkbox"/>	4" <input type="checkbox"/>	5" <input type="checkbox"/>	6" <input type="checkbox"/>	7" <input type="checkbox"/>	8" <input type="checkbox"/>			NC	<input type="checkbox"/>	
CA10	Pneumatic casters 6" x 1 1/4"									\$165	<input type="checkbox"/>	
CA11	Pneumatic casters 8" x 1 1/4"									\$165	<input type="checkbox"/>	
CA14	Newton UltraCaster Soft-Roll Composite	4" x 1 1/2"									\$98	<input type="checkbox"/>
CA15		5" x 1 1/2"									\$98	<input type="checkbox"/>
CA16		6" x 1 1/2"									\$98	<input type="checkbox"/>
CA17	Newton UltraCaster Soft-Roll Aluminum	4" x 1 1/2"									\$180	<input type="checkbox"/>
CA18		5" x 1 1/2"									\$190	<input type="checkbox"/>
CA19		6" x 1 1/2"									\$200	<input type="checkbox"/>
CASTER OPTIONS												
CA12	Caster Pin Locks (Available with +1" or +2" Stem bolt ONLY) <sup>1</sup>								WAMS	\$265	<input type="checkbox"/>	
CA13	Carbon fiber Frog Legs suspension forks (Not available with caster pin locks)									\$495	<input type="checkbox"/>	

1 - Not available with WC-19

### Helio A6 - REAR Seat-to-floor Height - Please select your choice

20" (451)	22" (501)	24" (540)	25" (559)	26" (590)
12	13	13 3/4	14 1/4	14 3/4
12 1/2	13 1/2	14 1/4	14 3/4	15 1/4
13	14	14 3/4	15 1/4	15 3/4
13 1/2	14 1/2	15 1/4	15 3/4	16 1/4
14	15	15 3/4	16 1/4	16 3/4
14 1/2	15 1/2	16 1/4	16 3/4	17 1/4
15	16	16 3/4	17 1/4	17 3/4
15 1/2	16 1/2	17 1/4	17 3/4	18 1/4
16	17	17 3/4	18 1/4	18 3/4
16 1/2	17 1/2	18 1/4	18 3/4	19 1/4
17	18	18 3/4	19 1/4	19 3/4
17 1/2	18 1/2	19 1/4	19 3/4	20 1/4

Configuration used: 1" seat slope with a center of gravity at 2"

Note: Tire size, center of gravity setting and seat slope may result in a variation of +/- 1/2" of selected seat to floor height"

Footrest										
SWING-IN/SWING-OUT FOOTREST										
FR03	60° Swing-in/swing-out footrest	13.5 - 17" <input type="checkbox"/>	14.5 - 19.5" <input type="checkbox"/>	15.5 - 20.5" <input type="checkbox"/>	Set at: *				NC	<input type="checkbox"/>
FR04	70° Swing-in/swing-out footrest	13.5 - 17" <input type="checkbox"/>	14.5 - 19.5" <input type="checkbox"/>	15.5 - 20.5" <input type="checkbox"/>	Set at: *				NC	<input type="checkbox"/>
FR15	80° Swing-in/swing-out footrest	13.5 - 16" <input type="checkbox"/>	14.5 - 19.5" <input type="checkbox"/>	15.5 - 20.5" <input type="checkbox"/>	Set at: *				NC	<input type="checkbox"/>
FR06	90° swing-in/swing-out with front mount - Standard (no extension) <sup>1</sup>		7.5 - 11"		Set at: *				NC	<input type="checkbox"/>
FR07	90° swing-in/swing-out with front mount - Short extension 2" <sup>1,2</sup>		9.5 - 13"		Set at: *				NC	<input type="checkbox"/>
FR08	90° swing-in/swing-out with front mount - Medium extension 4" <sup>1,2</sup>		9.5 - 14.5"		Set at: *				NC	<input type="checkbox"/>
FOOTREST OPTIONS										
FR09	High mount (footplate attached to the hanger with clamps) <sup>3</sup>		5 - 13.5" <input type="checkbox"/>		Set at: *				\$95	<input type="checkbox"/>
FR10	Elevating legrest with calf pad, 14" - 22" Length adjustable <sup>4</sup>		Left <input type="checkbox"/>	Right <input type="checkbox"/>	Set at:	WAMK			\$290	<input type="checkbox"/>
FR99	Omit Footrest								NC	<input type="checkbox"/>

1 - Available only with two pieces adjustable footplates

2 - May interfere with front casters

3 - Not available with front mount

\* + or - 1/2"

4 - The elevating legrest replace the footrest side selected

FOOTPLATES										
FP01	Standard (Composite) <sup>1</sup>								STD	<input type="checkbox"/>
FP02	Newton adjustable angle (Composite)					WAMJ			\$150	<input type="checkbox"/>
FP03	Newton adjustable angle (Aluminum)					WAMJ			\$170	<input type="checkbox"/>
FP06	One piece adjustable angle flip-up (Aluminum)					SEFND0015			\$210	<input type="checkbox"/>
FOOTPLATE ACCESSORIES										
FP08	Length adjustable heel loop (not available with one piece footplate)								NC	<input type="checkbox"/>
FP09	Calf strap					SEFND0010			\$55	<input type="checkbox"/>
FP30	Bodypoint Aeromesh Padded calf strap					SEFND0010			\$135	<input type="checkbox"/>

1 - Not available with front mount

SWING AWAY RESIDUAL LIMB SUPPORT						
FR27	Residual limb support - flat 6"x8"	Left <input type="checkbox"/>	Right <input type="checkbox"/>		SEFND0005	\$490 <input type="checkbox"/>
FR28	Residual limb support - flat 8"x10"	Left <input type="checkbox"/>	Right <input type="checkbox"/>		SEFND0005	\$490 <input type="checkbox"/>
FR29	Residual limb support - flat 10"x10"	Left <input type="checkbox"/>	Right <input type="checkbox"/>		SEFND0005	\$490 <input type="checkbox"/>
FR30	Residual limb support - flat 10"x14"	Left <input type="checkbox"/>	Right <input type="checkbox"/>		SEFND0005	\$490 <input type="checkbox"/>
FR32	Residual limb support - contour 6"x8"	Left <input type="checkbox"/>	Right <input type="checkbox"/>		SEFND0005	\$490 <input type="checkbox"/>
FR33	Residual limb support - contour 8"x10"	Left <input type="checkbox"/>	Right <input type="checkbox"/>		SEFND0005	\$490 <input type="checkbox"/>

### Backrest

FIXED ANGLE BACK CANES WITH INTEGRATED PUSH HANDLE						
BC58	Straight aluminum back cane	9-15"	15-21"	increment of 1/2"	Set at:	NC <input type="checkbox"/>
BC01	8° bend aluminum back cane	16-20"		increment of 2"	Set at:	NC <input type="checkbox"/>

FIXED ANGLE, HEIGHT ADJUSTABLE BACK CANES WITH PUSH HANDLE OPTIONS						
BC11	Straight aluminum back cane		12 - 15" <input type="checkbox"/>	15 - 18" <input type="checkbox"/>	18 - 21" <b>STD</b> <input type="checkbox"/>	\$77 <input type="checkbox"/>
BC12	8° bend aluminum back cane		13.5 - 15" <input type="checkbox"/>	15 - 18" <input type="checkbox"/>	18 - 21" <b>STD</b> <input type="checkbox"/>	\$77 <input type="checkbox"/>

ANGLE AND HEIGHT ADJUSTABLE BACK CANE WITH PUSH HANDLE OPTIONS							
BC13	straight aluminum back cane		15 - 18" <input type="checkbox"/>	18 - 21" <b>STD</b> <input type="checkbox"/>		\$265 <input type="checkbox"/>	
BC14	8° bend aluminum back cane		15 - 18" <input type="checkbox"/>	18 - 21" <b>STD</b> <input type="checkbox"/>		\$320 <input type="checkbox"/>	
	Select back cane angle:	85° <sup>1</sup> <input type="checkbox"/>	90° <b>STD</b> <input type="checkbox"/>	95° <input type="checkbox"/>	100° <input type="checkbox"/>	105° <input type="checkbox"/>	110° <input type="checkbox"/>
<b>Set height to:</b> <sup>2</sup>	<i>(measured from seat sling to top of back upholstery)</i>						

PUSH HANDLE OPTIONS						
PH01	Push handles					STD <input type="checkbox"/>
PH05	Fold down push handles <sup>3, 5</sup>					\$155 <input type="checkbox"/>
PH06	Clamp on height adjustable push handle <sup>3, 4, 5</sup>		9 - 20" <b>STD</b> <input type="checkbox"/>	9-23" <input type="checkbox"/>		\$335 <input type="checkbox"/>
PH02	Omit push handles					NC <input type="checkbox"/>

1 - Not compatible with 8 degree bent back      2 - If not indicated, default height setting is at the lowest position      3 - 265 pounds weight limit

4 - Not compatible with swing away armrests, 8° bend back canes and amputee axle plates

5 - Not compatible with stroller handler, stabilizer bar, headrest and attendant lock

STROLLER HANDLE AND STABILIZER BAR <sup>1</sup> (only available with push handle)						
PH04	Stroller handle (not available with the HD option)				WAMW	\$215 <input type="checkbox"/>
PH03	Newton folding stabilizer bar					\$265 <input type="checkbox"/>

1 - Stroller handle and stabilizer bar can't be combined

BACK UPHOLSTERY						
BH05	Slip-on Nylon back upholstery					NC <input type="checkbox"/>
BH06	Adjustable tension Nylon back upholstery				WAMD/WAME	\$250 <input type="checkbox"/>
BH99	Omit Back upholstery					STD <input type="checkbox"/>
	NXT back series				See pricelist	<input type="checkbox"/>

SEAT CUSHION						
SC01	2" Cushion					\$180 <input type="checkbox"/>
SC02	3" Cushion					\$200 <input type="checkbox"/>
SC99	Omit seat cushion					STD <input type="checkbox"/>
	NXT FIT cushion series				See pricelist	<input type="checkbox"/>

Rear wheels											
<b>ONE ARM DRIVE</b> <sup>1</sup> Only available with Newton One rear wheels with Aluminum, Plastic coated Handrims											
HR22	One arm drive	<sup>2,3</sup> 24"	Left <input type="checkbox"/>	Right <input type="checkbox"/>					\$1 435	<input type="checkbox"/>	
HR98	Omit handrim on opposite side of the One Arm Drive (OAD)								NC	<input type="checkbox"/>	
<b>REAR WHEELS</b>											
RW01	Mag	<sup>4</sup>	20" <input type="checkbox"/>	22" <input type="checkbox"/>	24" <input type="checkbox"/>				\$135	<input type="checkbox"/>	
RW02	Newton One - spoke wheel		20" <input type="checkbox"/>	22" <input type="checkbox"/>	24" <input type="checkbox"/>				NC	<input type="checkbox"/>	
RW03	Newton Gravity - ultralight wheel		20" <input type="checkbox"/>	22" <input type="checkbox"/>	24" <input type="checkbox"/>	25" <input type="checkbox"/>	26" <input type="checkbox"/>		\$370	<input type="checkbox"/>	
RW04	Spinergy Spox			22" <input type="checkbox"/>	24" <input type="checkbox"/>	25" <input type="checkbox"/>	26" <input type="checkbox"/>		\$825	<input type="checkbox"/>	
	Spinergy Spox spokes colors		<sup>6</sup> Blk STD <input type="checkbox"/>	Wht <input type="checkbox"/>	Blue <input type="checkbox"/>	Red <input type="checkbox"/>	Yel <input type="checkbox"/>		NC	<input type="checkbox"/>	
RW05	Spinergy LX			22" <input type="checkbox"/>	24" <input type="checkbox"/>	25" <input type="checkbox"/>	26" <input type="checkbox"/>		\$1 025	<input type="checkbox"/>	
	Spinergy LX spokes colors		<sup>6</sup> Blk STD <input type="checkbox"/>	Pur <input type="checkbox"/>	Wht <input type="checkbox"/>	Blue <input type="checkbox"/>	Red <input type="checkbox"/>	Yel <input type="checkbox"/>	Pink <input type="checkbox"/>	Grn <input type="checkbox"/>	Org <input type="checkbox"/>
RW07	Spinergy CLX Carbon Blade		<sup>5</sup>		24" <input type="checkbox"/>	25" <input type="checkbox"/>			\$1 585	<input type="checkbox"/>	
	Spinergy CLX spokes colors		<sup>6</sup> Blk STD <input type="checkbox"/>	Pur <input type="checkbox"/>	Wht <input type="checkbox"/>	Blue <input type="checkbox"/>	Red <input type="checkbox"/>	Yel <input type="checkbox"/>	Pink <input type="checkbox"/>	Grn <input type="checkbox"/>	Org <input type="checkbox"/>
<b>TIRES</b>											
Available											
TI01	Soft Urethane 1 1/4"			20", 22" 24"					STD	<input type="checkbox"/>	
TI02	Soft Urethane knobby 1 3/8"			22", 24", 25", 26"					\$115	<input type="checkbox"/>	
TI04	Soft Urethane - Shox 1"			22", 24", 25", 26"					\$135	<input type="checkbox"/>	
TI05	Pneumatic 1 3/8"			20", 22", 24", 25", 26"					NC	<input type="checkbox"/>	
TI08	Pneumatic with Airless insert 1 3/8" <sup>7</sup>			22", 24", 26"					\$220	<input type="checkbox"/>	
TI06	Pneumatic HP - 1"			20", 22", 24", 25", 26"					\$115	<input type="checkbox"/>	
TI07	Pneumatic HP - Schwalbe Marathon Plus 1"			24", 25", 26"					\$195	<input type="checkbox"/>	

1- Offered with handrims on each side of the wheelchair      2- Only standard handrim position available      3- Not available with HD option

4 - Not compatible with HP tires ; Only available with aluminum or plastic coated handrim in standard position      5 - Not compatible with Shox tires

6 - Colour spokes require an additional 10 days lead-time      7- Only available with Mag, Newton One and Newton Gravity rear wheels

Handrims													
<b>HANDRIM</b>													
HR01	Aluminum anodized								STD	<input type="checkbox"/>			
HR61	Aluminum black hard anodized <sup>1,3</sup>								\$77	<input type="checkbox"/>			
HR02	Plastic coated <sup>2</sup>								WAMO	\$165	<input type="checkbox"/>		
HR03	Q-Grip High friction Neoprene coated <sup>2,3,4</sup>								WAMO	\$445	<input type="checkbox"/>		
HR07	Newton Air Grip <sup>3</sup>		Black <input type="checkbox"/>					WAMO	\$155	<input type="checkbox"/>			
HR	Newton Air Grip <sup>3</sup>		(08) Sunkissed Orange <input type="checkbox"/>	(09) Burgundy <input type="checkbox"/>	(10) Sapphire Blue <input type="checkbox"/>	(11) Monster Green <input type="checkbox"/>	(12) Charcoal <input type="checkbox"/>	(13) Fuchsia <input type="checkbox"/>	(14) Steel Blue <input type="checkbox"/>	additional 5 days lead-time	WAMO	\$340	<input type="checkbox"/>
			(15) Ferrari Red <input type="checkbox"/>	(16) Acid Green <input type="checkbox"/>	(17) White <input type="checkbox"/>	(18) Sky Blue <input type="checkbox"/>							
HR28	Surge <sup>2,3,4</sup>		(1-1/2" Oval handrim w/ Gripton high friction strip)							\$485	<input type="checkbox"/>		
HR05	Surge LT <sup>2,3,4</sup>		(1-1/8" Oval handrim w/ Gripton high friction strip)							\$515	<input type="checkbox"/>		
HR04	Natural Fit <sup>2,3,4</sup>								\$320	<input type="checkbox"/>			
HR99	Omit handrim								NC	<input type="checkbox"/>			

1 - Not available in 26"      2- Only standard handrim position available      3 - Not available with Mag wheels or OAD      4 - Not available in 20"

Handrims option											
<b>Assembly position for aluminum and Newton Air Grip handrim</b>											
HR29	Standard Handrim position			Full tab						STD	<input type="checkbox"/>
HR30	Narrow Handrim position			Short tab 2 positions						\$26	<input type="checkbox"/>
HR31	Super Narrow Handrim			Short tab 2 positions STD <input type="checkbox"/>			Short tab 1 position <input type="checkbox"/>			\$26	<input type="checkbox"/>
<b>Thumb piece <sup>4</sup> selection Natural Fit handrims</b>											
HR23	Standard grip								\$195	<input type="checkbox"/>	
HR27	Super grip								\$225	<input type="checkbox"/>	
HR099	Omit thumb piece								NC	<input type="checkbox"/>	

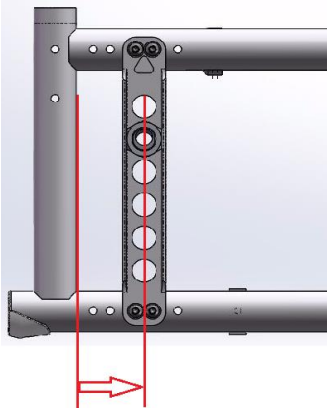
4- Compatible with Surge, Surge LT handrims

AXLE <sup>1</sup>						
AX01	Quick release axle			WAMU	STD	<input type="checkbox"/>
AX02	Permanent axle				NC	<input type="checkbox"/>
AX03	Quad release axle			WAMU	\$175	<input type="checkbox"/>
AXLE PLATE						
AX04	Amputee adjustable axle plate (may interfere with swing away armrest)			WAMT	\$260	<input type="checkbox"/>

1- Not required with one arm drive

REAR WHEEL CAMBER						
CM00	0° camber				STD	<input type="checkbox"/>
CM03	3° camber				NC	<input type="checkbox"/>

#### CENTER OF GRAVITY



#### Choose position of rear wheel axle plate:

Measure distance from front of back post to center of axle receiver.

Default setting is at 1" 1/4

Most stable					Most responsive
AMPUTEE	3/4"	1" 1/4	1" 3/4	2" 1/4	2" 3/4
<input type="checkbox"/>	<input type="checkbox"/>	<input type="checkbox"/>	<input type="checkbox"/>	<input type="checkbox"/>	<input type="checkbox"/>

If a configuration issue arises due to the choice of the Center Of Gravity (COG) Motion Composites reserves the right to reduce or increase the COG to the closest position.

WHEEL LOCK						
WL08	Newton Wheel lock - push to lock				STD	<input type="checkbox"/>
WL02	Pull to lock				NC	<input type="checkbox"/>
WL04	Newton grade aid push to lock (suggested with pneumatic or high pressure tire)			WAMR	\$180	<input type="checkbox"/>
WL13 WL14	6" removable extension handle				\$70	<input type="checkbox"/>
WL05	Scissor Lock				\$180	<input type="checkbox"/>
WL06	Attendant Lock (additional set of wheel lock mounted to the back)				\$235	<input type="checkbox"/>
WL99	Omit wheel locks				NC	<input type="checkbox"/>

#### Armrests

FLIP BACK ARMREST (Convertible to "T" armrest) <sup>1,4</sup>		Height Adjustment		Removable function		
AR01	10" Desk length arm pad	8 - 12" STD <input type="checkbox"/>	10 - 14" <input type="checkbox"/>	Locked <input type="checkbox"/>	Unlocked <input type="checkbox"/> STD	\$390 <input type="checkbox"/>
AR02	14" Full length arm pad	8 - 12" STD <input type="checkbox"/>	10 - 14" <input type="checkbox"/>	Locked <input type="checkbox"/>	Unlocked <input type="checkbox"/> STD	\$390 <input type="checkbox"/>
"T" ARMREST <sup>1</sup>		Height Adjustment				
AR13	10" Desk length arm pad	8 - 12" STD <input type="checkbox"/>	10 - 14" <input type="checkbox"/>			\$370 <input type="checkbox"/>
AR14	14" Full length arm pad	8 - 12" STD <input type="checkbox"/>	10 - 14" <input type="checkbox"/>			\$370 <input type="checkbox"/>
SWING AWAY ARMREST <sup>2</sup>		Height Adjustment				
AR05	Tubular arm pad	8 - 11"				\$305 <input type="checkbox"/>
AR06	10" Desk length arm pad	8 - 11"				\$305 <input type="checkbox"/>
GEL ARM PAD <sup>3</sup>						
AR12	14" Full Length Arm Pad - Gel Ovation (pair)			SEAND0030	\$155	<input type="checkbox"/>
AR99	Omit armrest				NC	<input type="checkbox"/>

1 - May have a 1/2" adjustment restriction on both limits of the range

2 - Could interfere with some rigid back rests; Not available with attendant lock

3 - Not available with the swing away armrest

4 - Not available with attendant lock

SIDE GUARDS (not available with Flip Back and "T" Armrest)						
SG01	Plastic side guards (removable)			WAMV	\$230	<input type="checkbox"/>
SG02	Carbon fiber side guards (fixed)			WAMV	\$265	<input type="checkbox"/>
SG03	Carbon fiber side guards (removable)			WAMV	\$305	<input type="checkbox"/>
SG06	Plastic fender side guards (removable) <sup>1</sup>			WAMV	\$330	<input type="checkbox"/>
SG04	Carbon fiber fender side guards (removable)			WAMV	\$495	<input type="checkbox"/>
SG99	Omit side guard				NC	<input type="checkbox"/>

SIDE GUARDS OPTION						
SG07	Side guards clip (pair) <sup>2</sup>				NC	<input type="checkbox"/>

1 - Not compatible with 20" and 22" rear wheels 2 - Not available with fixed carbon fiber side guard

POSITIONING BELT						
SB01	Velcro adjustable	Standard 35" <input type="checkbox"/>	Long 60" <input type="checkbox"/>		\$47	<input type="checkbox"/>
SB02	Auto buckle	Standard 35" <input type="checkbox"/>	Long 60" <input type="checkbox"/>		\$57	<input type="checkbox"/>
SB07	Hardware attachment for 2 point seatbelt (1 pair)				NC	<input type="checkbox"/>
SB03	Additional hardware for 2 extra attachment points (needed for the 4 point seat belt) (1 pair)				\$14	<input type="checkbox"/>
SB04	BodyPoint Hip Belt - 2 point not padded	Medium 56" <input type="checkbox"/>	Long 61" <input type="checkbox"/>		\$85	<input type="checkbox"/>
SB05	BodyPoint Hip Belt - 2 point padded	Small 51" <input type="checkbox"/>	Medium 56" <input type="checkbox"/>	Long 61" <input type="checkbox"/>	SERND0030	\$175 <input type="checkbox"/>
SB06	BodyPoint Hip Belt - 4 point padded	Small 51" <input type="checkbox"/>	Medium 56" <input type="checkbox"/>	Long 61" <input type="checkbox"/>	SERND0020	\$200 <input type="checkbox"/>
SB08	BodyPoint EVOFLEX® Positioning Belt Rehab latch and Band Clamps	Medium 18" <input type="checkbox"/>	Long 24" <input type="checkbox"/>		\$335	<input type="checkbox"/>
SB99	Omit positioning belt				STD	<input type="checkbox"/>

HEADREST						
AC01	Profiled Headrest	Small (3.5"X6") <input type="checkbox"/>	Medium (4.5"X7") <input type="checkbox"/>	Large (5.5"X8") <input type="checkbox"/>	\$210	<input type="checkbox"/>
AC28	Headrest mounting hardware with removable non folding stabilizer bar <sup>1</sup>				\$350	<input type="checkbox"/>

1 - Only available with push handles - Not available with a stroller handle or a folding stabiliser bar

ACCESSORIES						
AC03	Anti tippers				\$120	<input type="checkbox"/>
AC29	Swing-away anti-tipper <sup>1</sup>	Left <input type="checkbox"/>	Right <input type="checkbox"/>		\$170	<input type="checkbox"/>
AC27	Tip assist <sup>2</sup>				\$62	<input type="checkbox"/>
AC04	Transit Tie Down (Unoccupied)				NC	<input type="checkbox"/>
AC05	WC-19 Transit Tie Down w/Q'straint belt <sup>3</sup>	Short belt 20-41" <input type="checkbox"/>	Long belt 20-46" <input type="checkbox"/>		\$355	<input type="checkbox"/>
AC06	Cane carrier	Left <input type="checkbox"/>	Right <input type="checkbox"/>		\$110	<input type="checkbox"/>
AC07	Oxygen tank holder - D and E Type	Left			\$385	<input type="checkbox"/>
AC08	Spoke guards <sup>4</sup>	Available: 20", 22", 24", 26"			\$150	<input type="checkbox"/>
AC09	Footrest neoprene impact guard (pair) - Black				\$82	<input type="checkbox"/>
AC10	Seat pouch				\$98	<input type="checkbox"/>
AC30	Newton sanitizing multi-purpose pouch				\$72	<input type="checkbox"/>
AC26	BodyPoint Mobility Bag				\$140	<input type="checkbox"/>
AC23	Newton Backpack				\$125	<input type="checkbox"/>
AC12	Velcro Closing Strap				\$52	<input type="checkbox"/>
AC13	Tool kit				\$52	<input type="checkbox"/>
AC16	Motion Composites Polo Shirt	W/S <input type="checkbox"/>	W/M <input type="checkbox"/>	W/L <input type="checkbox"/>		
		M/S <input type="checkbox"/>	M/M <input type="checkbox"/>	M/L <input type="checkbox"/>	M/XL <input type="checkbox"/>	M/XXL <input type="checkbox"/>
					M/XXXL <input type="checkbox"/>	M/XXXXL <input type="checkbox"/>
					\$35	<input type="checkbox"/>

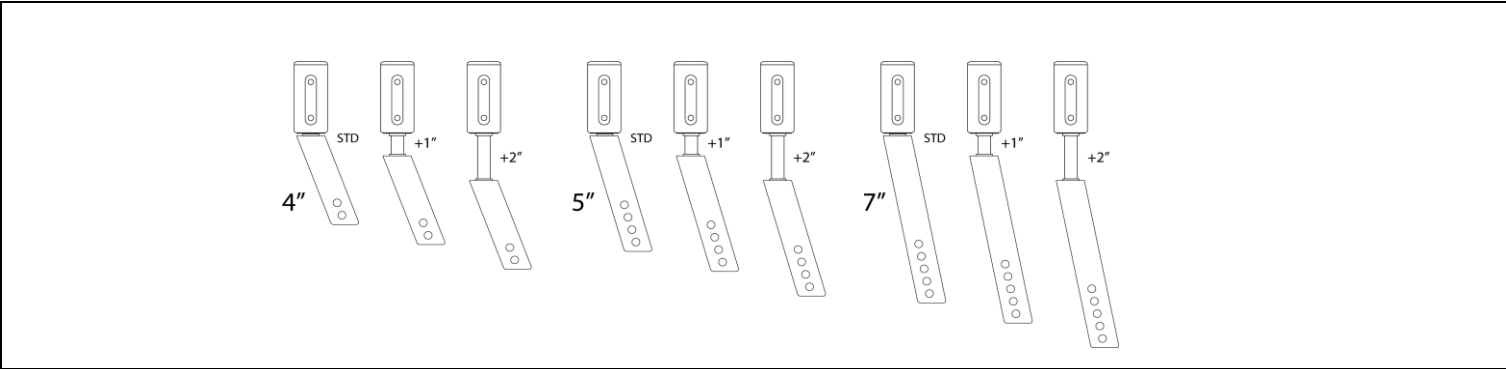
1 - Must select the pair (left and right) with HD option; Only available with rear seat to floor height of 13 1/2" and 19 3/4"

2 - Cannot be combined with Anti Tippers

3 - May interfere with swing away armrest and Clamp on height adjustable push handle; Not available with HD option

4 - Not available with Mag wheels and Spinerdy

FRAME COLOR (with black hydroformed aluminum crossbrace)							
FC01	Black <input type="checkbox"/>					NC	<input type="checkbox"/>
FC	(03) Sunkissed Orange <input type="checkbox"/>	(04) Burgundy <input type="checkbox"/>	(05) Sapphire Blue <input type="checkbox"/>	(06) Monster Green <input type="checkbox"/>	additional 5 days lead-time	\$270	<input type="checkbox"/>
	(07) Charcoal <input type="checkbox"/>	(08) Fuchsia <input type="checkbox"/>	(09) Steel Blue <input type="checkbox"/>	(17) Ferrari Red <input type="checkbox"/>			
FC99	Custom Color	<a href="#">Specify PPG Paintit color:</a>			additional 10 days lead-time	\$410	<input type="checkbox"/>



Note :

BioFit™ CUSHION

	Fits Width & Depth		✓	BioFit™	\$	Fits Width & Depth		✓	BioFit™	\$
	15", 16" · 16"			NXCABF1616	595	19", 20" · 16"			NXCABF2016	595
	15", 16" · 18"			NXCABF1618		19", 20" · 18"			NXCABF2018	
	15", 16" · 20"			NXCABF1620		19", 20" · 20"			NXCABF2020	
	17", 18" · 16"			NXCABF1816	625	21", 22" · 16"			NXCABF2216	625
	17", 18" · 18"			NXCABF1818		21", 22" · 18"			NXCABF2218	
	17", 18" · 20"			NXCABF1820		21", 22" · 20"			NXCABF2220	

THORACIC SHAPE

Xtend™ HEIGHT ADJUSTABLE THORACIC BACK SUPPORT

	Fits Width & Back Height		✓	Xtend™	\$
	16"-18"			NHAACB1616/20	690
	18"-20"			NHAACB1816/20	
	20"-22"			NHAACB2016/20	
	22"-24"			NHAACB2216/20	720

Xtend™ DEEP HEIGHT ADJUSTABLE THORACIC BACK SUPPORT

	Fits Width & Back Height		✓	Xtend™	\$
	16"-18"			NHAPCB1616/20	690
	18"-20"			NHAPCB1816/20	
	20"-22"			NHAPCB2016/20	
	22"-24"			NHAPCB2216/20	720

Optima™ THORACIC BACK SUPPORT

	Fits Width & Back Height		✓	Optima™	\$
	16"-18" · 13"			NOACB1613	690
	16"-18" · 16"			NOACB1616	
	16"-18" · 19"			NOACB1619	
	18"-20" · 13"			NOACB1813	
	18"-20" · 16"			NOACB1816	
	18"-20" · 19"			NOACB1819	
	20"-22" · 16"			NOACB2016	
	20"-22" · 19"			NOACB2019	720
	22"-24" · 13"			NOACB2213	
22"-24" · 16"			NOACB2216		
	22"-24" · 19"			NOACB2219	

Optima™ DEEP THORACIC BACK SUPPORT

	Fits Width & Back Height		✓	Optima™ DEEP	\$
	16"-18" · 16"			NOPCB1616	790
	16"-18" · 19"			NOPCB1619	
	18"-20" · 16"			NOPCB1816	
	18"-20" · 19"			NOPCB1819	
	20"-22" · 16"			NOPCB2016	
	20"-22" · 19"			NOPCB2019	
	22"-24" · 13"			NOPCB2213	
	22"-24" · 16"			NOPCB2216	
	22"-24" · 19"			NOPCB2219	

Classic™ PELVIC BACK SUPPORT

	Fits Width & Back Height		✓	Classic™	\$
	16"-18" · 16"			NACB1616	690
	16"-18" · 18"			NACB1618	
	18"-20" · 16"			NACB1816	
	18"-20" · 18"			NACB1818	
	18"-20" · 20"			NACB1820	
	20"-22" · 20"			NACB2020	
	22"-24" · 16"			NACB2216	720
	22"-24" · 18"			NACB2218	
22"-24" · 20"			NACB2220		

Classic™ DEEP PELVIC BACK SUPPORT

	Fits Width & Back Height		✓	Classic DEEP™	\$
	16"-18" · 16"			NPCB1616	790
	16"-18" · 18"			NPCB1618	
	18"-20" · 18"			NPCB1818	
	18"-20" · 20"			NPCB1820	
	20"-22" · 20"			NPCB2020	
	22"-24" · 16"			NPCB2216	
	22"-24" · 18"			NPCB2218	
	22"-24" · 20"			NPCB2220	

MultiFit™ HEAD SUPPORT - MULTI-ADJUSTABLE PADS

	Model #NIB-0784	✓	\$
	10" x 5" Large Rectangular		195

	Model # NIB-0818	✓	\$
	14" x 5" Extra-Large Rectangular		195

MultiFit™ HEAD SUPPORT - FIXTURES

	Model #NIB-0747	✓	\$
	Multi-Axis Hardware		145

	Model # NIB-0823	✓	\$
	Head Support Receiver Bracket		55

PLEASE NOTE: For additional NXT models, sizes and hardware not shown, please refer to the complete NXT Seating Order Form at [www.motioncomposites.com](http://www.motioncomposites.com) ver: jw-05-14-21

PLEASE NOTE: ALL PRICES QUOTED IN CDN. PRICES ARE SUBJECT TO CHANGE WITHOUT NOTICE.