



**Helio A6**  
 ORDER FORM - CANADA

**1- Purchasing information**

P.O. number:\* \_\_\_\_\_ Date: \_\_\_\_\_  
 Company Name:\* \_\_\_\_\_  
 Purchasing contact:\* \_\_\_\_\_  
 Phone:\* \_\_\_\_\_  
 Email:\* \_\_\_\_\_  
 Contact preference:\* Phone  Email   
 Marked for: \_\_\_\_\_

**3- Shipping information**

Ship to:\* \_\_\_\_\_  
 Name: \_\_\_\_\_  
 Address: \_\_\_\_\_  
 City: \_\_\_\_\_ Province: \_\_\_\_\_  
 Postal Code: \_\_\_\_\_  
 Phone: \_\_\_\_\_

**2- Dealer/Representative information**

Dealer/Representative:\* \_\_\_\_\_  
 Phone:\* \_\_\_\_\_  
 Email:\* \_\_\_\_\_  
 Contact preference:\* Phone  Email

\* Required MA080  English Manual (STD) MA081  French Manual Taxes not included

MODEL									
WC19	<input type="checkbox"/>	Ultralight folding Helio A6 Wheelchair - 6000 series aluminum (265lb weight capacity)						WM0001489	\$2,395
WC09	<input type="checkbox"/>	HD Heavy duty kit (350 lb weight capacity)							\$825
<b>Frame</b>									
<b>SEAT WIDTH <sup>3</sup></b>									
SW	<input type="checkbox"/>	14" <input type="checkbox"/>	15" <input type="checkbox"/>	16" <input type="checkbox"/>	17" <input type="checkbox"/>	18" <sup>1</sup> <input type="checkbox"/>		NC	
	<input type="checkbox"/>	19" <sup>1</sup> <input type="checkbox"/>	20" <sup>1</sup> <input type="checkbox"/>	21" <sup>2</sup> <input type="checkbox"/>	22" <sup>2</sup> <input type="checkbox"/>		WAMA	\$315	
<b>SEAT DEPTH</b>									
SD	<input type="checkbox"/>	14" <input type="checkbox"/>	15" <input type="checkbox"/>	16" <input type="checkbox"/>	17" <input type="checkbox"/>	18" <input type="checkbox"/>		NC	
	<input type="checkbox"/>	19" <input type="checkbox"/>	20" <input type="checkbox"/>				WAMB	\$235	
<b>TRANSIT TIE DOWN</b>									
AC04	<input type="checkbox"/>	Transit Tie Down (Unoccupied)							NC
AC05-S	<input type="checkbox"/>	WC-19 Transit Tie Down w/Q'straint belt <sup>4</sup> Short belt 20"-41"							\$365
AC05-L	<input type="checkbox"/>	WC-19 Transit Tie Down w/Q'straint belt <sup>4</sup> Long belt 20"-46"							\$365
AC35	<input type="checkbox"/>	WC-19 Transit Tie Down without belt <sup>4</sup>							\$345

1- Available with HD Kit (350 lb) 2- Only with HD Kit (350 lb) [3. Width calculator](#)  
 4- May interfere with swing away armrest and Clamp on height adjustable push handle; Not available with HD option

**A6 FRONT Seat-to-floor Height - Please select your choice**

Forks / Position		3" caster			4" caster			5" caster			6" caster			7" caster			8" caster		
		Stem bolt Length			Stem bolt Length			Stem bolt Length			Stem bolt Length			Stem bolt Length			Stem bolt Length		
		STD	+1"	+2"	STD	+1"	+2"	STD	+1"	+2"	STD	+1"	+2"	STD	+1"	+2"	STD	+1"	+2"
4"	P1	12"	13"	14"	12 1/2"	13 1/2"	14 1/2"												
	P2	12 1/2"	13 1/2"	14 1/2"	13"	14"	15"	13 1/2"	14 1/2"	15 1/2"									
5"	P1																		
	P2				13"	14"	15"	13 1/2"	14 1/2"	15 1/2"									
	P3	13"	14"	15"	13 1/2"	14 1/2"	15 1/2"	14"	15"	16"	14 1/2"	15 1/2"	16 1/2"						
	P4	13 1/2"	14 1/2"	15 1/2"	14"	15"	16"	14 1/2"	15 1/2"	16 1/2"	15"	16"	17"	15 1/2"	16 1/2"	17 1/2"			
7"	P1										15 1/2"	16 1/2"	17 1/2"	16"	17"	18"			
	P2							15 1/2"	16 1/2"	17 1/2"	16"	17"	18"	16 1/2"	17 1/2"	18 1/2"			
	P3							16"	17"	18"	16 1/2"	17 1/2"	18 1/2"	17"	18"	19"	17 1/2"	18 1/2"	19 1/2"
	P4	15 1/2"	16 1/2"	17 1/2"	16"	17"	18"	16 1/2"	17 1/2"	18 1/2"	17"	18"	19"	17 1/2"	18 1/2"	19 1/2"	18"	19"	20"
	P5	16"	17"	18"	16 1/2"	17 1/2"	18 1/2"	17"	18"	19"	17 1/2"	18 1/2"	19 1/2"	18"	19"	20"	18 1/2"	19 1/2"	20 1/2"

Height available +/- 1/4" (see stem bolt and fork combination at the end of the order form)

CASTERS				Availability		
CA01-03 to CA01-08	<input type="checkbox"/>	Composite wheel w/ PU tire (1")		3", 4", 5", 6", 7", 8"		NC
CA10 to CA11	<input type="checkbox"/>	Pneumatic casters (1 ¼")		6", 8"		\$170
CA14 to CA16	<input type="checkbox"/>	Newton UltraCaster Composite (1 ½ ")		4", 5", 6"		\$105
CA17 to CA19	<input type="checkbox"/>	Newton UltraCaster Aluminum (1 ½ ")		4", 5", 6"		\$198
CASTER OPTIONS						
CA12	<input type="checkbox"/>	Caster Pin Locks (Available with +1" or +2" Stem bolt ONLY) <sup>1</sup>			WAMS	\$275
CA13	<input type="checkbox"/>	Carbon fiber Frog Legs suspension forks (Not available with caster pin locks)				\$525

1- Not available with WC-19

### Helio A6 - REAR Seat-to-floor Height - Please select your choice

20" (451)	22" (501)	24" (540)	25" (559)	26" (590)
12"	13"	13 3/4"	14 1/4"	14 3/4"
12 1/2"	13 1/2"	14 1/4"	14 3/4"	15 1/4"
13"	14"	14 3/4"	15 1/4"	15 3/4"
13 1/2"	14 1/2"	15 1/4"	15 3/4"	16 1/4"
14"	15"	15 3/4"	16 1/4"	16 3/4"
14 1/2"	15 1/2"	16 1/4"	16 3/4"	17 1/4"
15"	16"	16 3/4"	17 1/4"	17 3/4"
15 1/2"	16 1/2"	17 1/4"	17 3/4"	18 1/4"
16"	17"	17 3/4"	18 1/4"	18 3/4"
16 1/2"	17 1/2"	18 1/4"	18 3/4"	19 1/4"
17"	18"	18 3/4"	19 1/4"	19 3/4"
17 1/2"	18 1/2"	19 1/4"	19 3/4"	20 1/4"

Configuration used: 1" seat slope with a center of gravity at 2"

Note: Tire size, center of gravity setting and seat slope may result in a variation of +/- ½" of selected seat to floor height"

Footrest						
SWING-IN/SWING-OUT FOOTREST						
FR03-01	<input type="checkbox"/>	60° Swing-in/swing-out footrest - 13.5" - 17"			Set at: *	NC
FR03-02	<input type="checkbox"/>	60° Swing-in/swing-out footrest - 14.5" - 19.5"			Set at: *	NC
FR03-03	<input type="checkbox"/>	60° Swing-in/swing-out footrest - 15.5" - 20.5"			Set at: *	NC
FR04-01	<input type="checkbox"/>	70° Swing-in/swing-out footrest - 13.5" - 17"			Set at: *	NC
FR04-02	<input type="checkbox"/>	70° Swing-in/swing-out footrest - 14.5" - 19.5"			Set at: *	NC
FR04-03	<input type="checkbox"/>	70° Swing-in/swing-out footrest - 15.5" - 20.5"			Set at: *	NC
FR15-01	<input type="checkbox"/>	80° Swing-in/swing-out footrest - 13.5" - 16" <sup>5</sup>			Set at: *	NC
FR15-02	<input type="checkbox"/>	80° Swing-in/swing-out footrest - 14.5" - 19.5" <sup>5</sup>			Set at: *	NC
FR15-03	<input type="checkbox"/>	80° Swing-in/swing-out footrest - 15.5" - 20.5" <sup>5</sup>			Set at: *	NC
FR06	<input type="checkbox"/>	90° swing-in/swing-out with front mount - Standard (no extension) <sup>1</sup>		7.5" - 11"	Set at: *	NC
FR07	<input type="checkbox"/>	90° swing-in/swing-out with front mount - Short extension 2" <sup>1,2</sup>		9.5" - 13"	Set at: *	NC
FR08	<input type="checkbox"/>	90° swing-in/swing-out with front mount - Medium extension 4" <sup>1,2</sup>		9.5" - 14.5"	Set at: *	NC
FOOTREST OPTIONS						
FR09	<input type="checkbox"/>	High mount (footplate attached to the hanger with clamps) <sup>3</sup>		5" - 13.5"	Set at: *	\$105
FR10	<input type="checkbox"/>	Elevating legrest with calf pad, Length adjustable <sup>4</sup> Left <input type="checkbox"/> Right <input type="checkbox"/>		14" - 22"	Set at:	WAMK \$295
FR99	<input type="checkbox"/>	Omit Footrest				NC

1- Available only with two piece adjustable footplates; 2- May interfere with front casters; 3- Not available with front mount and the elevating legrest; \* +/- 1/2"

4- The elevating legrest replace the footrest side selected; Not available with one piece footplate; 5- Not available with 8" caster

FOOTPLATES						
FP01	<input type="checkbox"/>	Standard - Composite <sup>1</sup>				STD
FP02	<input type="checkbox"/>	Newton adjustable angle - Composite			WAMJ	\$155
FP03	<input type="checkbox"/>	Newton adjustable angle - Aluminum			WAMJ	\$175
FP06	<input type="checkbox"/>	One piece adjustable angle flip-up - Aluminum			WAMJ SEFND0015	\$215
FOOTPLATE ACCESSORIES						
FP08	<input type="checkbox"/>	Length adjustable heel loop <sup>2</sup>				NC
FP09	<input type="checkbox"/>	Calf strap			SEFND0010	\$57
FP30	<input type="checkbox"/>	Bodypoint Aeromesh Padded calf strap			SEFND0010	\$140

1- Not available with front mount; 2- not available with one piece footplate

SWING AWAY RESIDUAL LIMB SUPPORT						
FR27	<input type="checkbox"/>	Residual limb support - flat 6"x8"	Left <input type="checkbox"/> Right <input type="checkbox"/>		SEFND0005	\$505
FR28	<input type="checkbox"/>	Residual limb support - flat 8"x10"	Left <input type="checkbox"/> Right <input type="checkbox"/>		SEFND0005	\$505
FR29	<input type="checkbox"/>	Residual limb support - flat 10"x10"	Left <input type="checkbox"/> Right <input type="checkbox"/>		SEFND0005	\$505
FR30	<input type="checkbox"/>	Residual limb support - flat 10"x14"	Left <input type="checkbox"/> Right <input type="checkbox"/>		SEFND0005	\$505
FR32	<input type="checkbox"/>	Residual limb support - contour 6"x8"	Left <input type="checkbox"/> Right <input type="checkbox"/>		SEFND0005	\$505
FR33	<input type="checkbox"/>	Residual limb support - contour 8"x10"	Left <input type="checkbox"/> Right <input type="checkbox"/>		SEFND0005	\$505

## Backrest

Backrest								
FIXED ANGLE BACK CANES WITH INTEGRATED PUSH HANDLE (push handle included - no further selection needed)								
BC58-915	<input type="checkbox"/>	Straight aluminum back cane	9" - 15"	increment of 1/2"	Set at <sup>2</sup> :		NC	
BC58-1521	<input type="checkbox"/>	Straight aluminum back cane	15" - 21"	increment of 1/2"	Set at <sup>2</sup> :		NC	
BC60	<input type="checkbox"/>	Straight aluminum back cane	21" - 24"	increment of 1"	Set at <sup>2</sup> :		\$100	
BC01-16	<input type="checkbox"/>	8° bend aluminum back cane	16"				NC	
BC01-18	<input type="checkbox"/>	8° bend aluminum back cane	18"				NC	
BC01-20	<input type="checkbox"/>	8° bend aluminum back cane	20"				NC	
BC59	<input type="checkbox"/>	8° bend aluminum back cane	21" - 24"	increment of 1"	Set at <sup>2</sup> :		\$100	
FIXED ANGLE, HEIGHT ADJUSTABLE BACK CANES WITH PUSH HANDLE OPTIONS (MUST select ONE push handle options)								
BC11-912	<input type="checkbox"/>	Straight aluminum back cane	9" - 12"	increment of 1/2"	Set at <sup>2</sup> :		\$80	
BC11-1215	<input type="checkbox"/>	Straight aluminum back cane	12" - 15"	increment of 1/2"	Set at <sup>2</sup> :		\$80	
BC11-1518	<input type="checkbox"/>	Straight aluminum back cane	15" - 18"	increment of 1/2"	Set at <sup>2</sup> :		\$80	
BC11-1821	<input type="checkbox"/>	Straight aluminum back cane	18" - 21"	increment of 1/2"	Set at <sup>2</sup> :		\$80	
BC12-1315	<input type="checkbox"/>	8° bend aluminum back cane	13.5" - 15"	increment of 1/2"	Set at <sup>2</sup> :		\$85	
BC12-1518	<input type="checkbox"/>	8° bend aluminum back cane	15" - 18"	increment of 1/2"	Set at <sup>2</sup> :		\$85	
BC12-1821	<input type="checkbox"/>	8° bend aluminum back cane	18" - 21"	increment of 1/2"	Set at <sup>2</sup> :		\$85	
ANGLE AND HEIGHT ADJUSTABLE BACK CANE WITH PUSH HANDLE OPTIONS (MUST select ONE push handle options)								
BC13-1518	<input type="checkbox"/>	Straight aluminum back cane	15" - 18"	increment of 1/2"	Set at <sup>2</sup> :		\$275	
BC13-1821	<input type="checkbox"/>	Straight aluminum back cane	18" - 21"	increment of 1/2"	Set at <sup>2</sup> :		\$275	
BC14-1518	<input type="checkbox"/>	8° bend aluminum back cane	15" - 18"	increment of 1/2"	Set at <sup>2</sup> :		\$330	
BC14-1821	<input type="checkbox"/>	8° bend aluminum back cane	18" - 21"	increment of 1/2"	Set at <sup>2</sup> :		\$330	
		Select back cane angle:	85° <sup>1</sup> <input type="checkbox"/>	90° <input type="checkbox"/>	95° STD <input type="checkbox"/>	100° <input type="checkbox"/>	105° <input type="checkbox"/>	110° <input type="checkbox"/>
PUSH HANDLES OPTIONS (ONE option at a time)								
PH01	<input type="checkbox"/>	Push handles					STD	
PH05	<input type="checkbox"/>	Fold down push handles <sup>3, 5</sup>					\$165	
PH06-920	<input type="checkbox"/>	Clamp on height adjustable push handles 9"-20" <sup>3,4, 5</sup>					\$345	
PH06-923	<input type="checkbox"/>	Clamp on height adjustable push handles 9"-23" <sup>3,4, 5</sup>					\$345	
PH02	<input type="checkbox"/>	Omit push handles					NC	
STROLLER HANDLE AND STABILIZER BAR (only available with push handle)								
PH04	<input type="checkbox"/>	Stroller handle (not available with the HD option)				WAMW	\$220	
PH03	<input type="checkbox"/>	Newton folding stabilizer bar (not available with stroller handle)					\$275	
<p><b>1-</b> Not compatible with 8 degree bent back cane; <b>2-</b> If not indicated, default height setting is at the lowest position; measured from seat sling to top of back upholstery; <b>3-</b> 265lb weight limit  <b>4-</b> Not compatible with swing away armrests, 8° bend back canes, 21-24" back canes and amputee axle plates; <b>5-</b> Not compatible with stroller handler, stabilizer bar, headrest and attendant lock;</p>								
BACK UPHOLSTERY								
BH05	<input type="checkbox"/>	Slip-on Nylon back upholstery					NC	
BH06	<input type="checkbox"/>	Adjustable tension Nylon back upholstery				WAMD/WAME	\$260	
BH99	<input type="checkbox"/>	Omit Back upholstery					STD	
	<input type="checkbox"/>	NXT back Support			See pricelist			
SEAT CUSHION								
SC01	<input type="checkbox"/>	2" Cushion					\$185	
SC02	<input type="checkbox"/>	3" Cushion					\$205	
SC99	<input type="checkbox"/>	Omit seat cushion					STD	
	<input type="checkbox"/>	NXT cushion			See price list			

Rear wheels												
<b>ONE ARM DRIVE<sup>1</sup></b> <i>Only available with Newton One rear wheel, permanent axles and 0° camber</i>												
HR22	<input type="checkbox"/>	One arm drive - aluminum inner handrim <sup>2,3</sup>	24"	Left <input type="checkbox"/>	Right <input type="checkbox"/>	WAML	\$1,480					
HR60	<input type="checkbox"/>	One arm drive - plastic coated inner handrim <sup>2,3</sup>	24"	Left <input type="checkbox"/>	Right <input type="checkbox"/>	WAML	\$1,595					
HR98	<input type="checkbox"/>	Omit handrim on opposite side of the One Arm Drive (OAD)					NC					
<b>REAR WHEELS</b> Available												
RW01	<input type="checkbox"/>	Mag <sup>4</sup>				20", 22" 24"	\$140					
RW02	<input type="checkbox"/>	Newton One - spoke wheel <sup>5</sup>				20", 22" 24"	NC					
RW03	<input type="checkbox"/>	Newton Gravity - ultralight wheel				20", 22", 24", 25", 26"	\$390					
RW04	<input type="checkbox"/>	Spinergy Spox <b>Blk STD</b> <input type="checkbox"/>	Wht <sup>6</sup> <input type="checkbox"/>	Blue <sup>6</sup> <input type="checkbox"/>	Red <sup>6</sup> <input type="checkbox"/>	Yel <sup>6</sup> <input type="checkbox"/>	22", 24", 25", 26"	\$875				
RW05	<input type="checkbox"/>	Spinergy LX <b>Blk STD</b> <input type="checkbox"/>	Pur <sup>6</sup> <input type="checkbox"/>	Wht <sup>6</sup> <input type="checkbox"/>	Blue <sup>6</sup> <input type="checkbox"/>	Red <sup>6</sup> <input type="checkbox"/>	Yel <sup>6</sup> <input type="checkbox"/>	Pink <sup>6</sup> <input type="checkbox"/>	Grn <sup>6</sup> <input type="checkbox"/>	Org <sup>6</sup> <input type="checkbox"/>	22", 24", 25", 26"	\$1,095
RW07	<input type="checkbox"/>	Spinergy CLX <sup>7</sup> <b>Blk STD</b> <input type="checkbox"/>	Pur <sup>6</sup> <input type="checkbox"/>	Wht <sup>6</sup> <input type="checkbox"/>	Blue <sup>6</sup> <input type="checkbox"/>	Red <sup>6</sup> <input type="checkbox"/>	Yel <sup>6</sup> <input type="checkbox"/>	Pink <sup>6</sup> <input type="checkbox"/>	Grn <sup>6</sup> <input type="checkbox"/>	Org <sup>6</sup> <input type="checkbox"/>	24", 25"	\$1,650
<b>TIRES</b> Available												
<b>Solid</b>												
TI01	<input type="checkbox"/>	Soft Urethane 1 3/8"				20", 22" 24"	STD					
TI02	<input type="checkbox"/>	Soft Urethane knobby 1 3/8" <sup>8</sup>				22", 24", 25", 26"	\$120					
TI04	<input type="checkbox"/>	Soft Urethane 1" - Shox				22", 24", 25", 26"	\$140					
<b>Pneumatic</b>												
TI05	<input type="checkbox"/>	Pneumatic 1 3/8" <sup>11</sup>				20", 22", 24", 25", 26"	NC					
TI08	<input type="checkbox"/>	Pneumatic with Airless insert 1 3/8" <sup>9</sup>				22", 24", 26"	\$225					
TI06	<input type="checkbox"/>	Pneumatic HP, Low Tread, Puncture resistant, black 1" - SpeedLite				20", 22", 24", 25", 26"	\$120					
TI07	<input type="checkbox"/>	Pneumatic HP, Medium Tread, Puncture resistant, black 1" - TrailBlazer				24", 25", 26"	\$200					

1- Offered with handrims on each side of the wheelchair; select the outer handrim in the handrims section; 2- Only standard handrim position available; 3- Not available with HD option

4- Not compatible with HP tires; Only available with aluminum or plastic coated handrim, standard position; 5- Not compatible with Shox tires; 6- color spokes require an additional 10 days lead-time;

7- Only available with 1" tires; 8- 22" is only available with Mags and Newton One rear wheels; 9- Not available with Spinergy CLX, Spinergy LX 25", 26" and Spox 25", 26" rear wheels

Handrims							
<b>HANDRIM</b> Available							
HR01	<input type="checkbox"/>	Aluminum anodized				20", 22", 24", 25", 26"	STD
HR61	<input type="checkbox"/>	Aluminum black hard anodized <sup>2</sup>				20", 22", 24", 25"	\$85
HR02	<input type="checkbox"/>	Plastic coated <sup>1</sup>				20", 22", 24", 25", 26"	WAMO \$170
HR03	<input type="checkbox"/>	High friction coated <sup>1,2,3</sup>				22", 24", 25", 26"	WAMO \$460
HR07-HR18 and HR65-HR71	<input type="checkbox"/>	Newton Air Grip <sup>2</sup> <i>See page 6 for the color selection and price</i>				20", 22", 24", 25", 26"	WAMO
HR28	<input type="checkbox"/>	Surge <sup>1,2,3</sup> (1 1/2" Oval handrim w/ Gripton high friction strip)				22", 24", 25", 26"	\$485
HR05	<input type="checkbox"/>	Surge LT <sup>1,2,3</sup> (1 1/8" Oval handrim w/ Gripton high friction strip)				22", 24", 25", 26"	\$515
HR04	<input type="checkbox"/>	Natural Fit <sup>1,2,3</sup>				22", 24", 25", 26"	\$320
HR62	<input type="checkbox"/>	Simi H <sup>1,2,3</sup> (1 1/4" Oval handrim with high friction strip)				22", 24", 25", 26"	\$485
HR63	<input type="checkbox"/>	Nova H <sup>1,2,3</sup> (1 1/4" Oval handrim with high friction strip)				22", 24", 25", 26"	\$515
HR64	<input type="checkbox"/>	Optimum H <sup>1,2,3</sup> (1 1/8" heart-shaped handrim)				22", 24", 25", 26"	\$320
HR99	<input type="checkbox"/>	Omit handrim					NC

1- Only standard and narrow handrim position. By default, the tab won't be cut with the narrow position; 2- Not available with Mag wheels; 3- Not available with one arm drive;

Handrims option							
<b>ASSEMBLY POSITION</b>							
HR29	<input type="checkbox"/>	Standard Handrim position	Full tab				STD
HR030	<input type="checkbox"/>	Narrow Handrim position no cut	Full tab				NC
HR30	<input type="checkbox"/>	Narrow Handrim position with cut <sup>3</sup>	Short tab 2 positions				\$29
HR31	<input type="checkbox"/>	Super Narrow Handrim <sup>3</sup>	Short tab 2 positions STD <input type="checkbox"/>	Short tab 1 position <input type="checkbox"/>			\$29
<b>THUMB PIECE SELECTION FOR NATURAL FIT, SURGE, SURGE LT HANDRIMS</b>							
HR23	<input type="checkbox"/>	Standard grip					\$200
HR27	<input type="checkbox"/>	Super grip					\$230
HR099	<input type="checkbox"/>	Omit thumb piece					NC

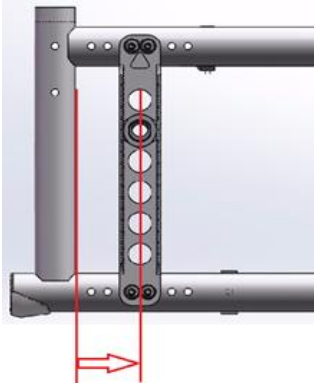
3- Only available with Aluminum and Air Grip handrims;

AXLE							
AX01	<input type="checkbox"/>	Quick release axle <sup>1</sup>				WAMU	STD
AX02	<input type="checkbox"/>	Permanent axle					NC
AX03	<input type="checkbox"/>	Quad release axle <sup>1</sup>				WAMU	\$180
<b>AXLE PLATE</b>							
AX04	<input type="checkbox"/>	Amputee adjustable axle plate <sup>2</sup>				WAMT	\$275

1- Not required with one arm drive; 2- May interfere with swing away armrest and limit seat to floor height

REAR WHEEL CAMBER							
CM00	<input type="checkbox"/>	0° camber					STD
CM03	<input type="checkbox"/>	3° camber					NC

**CENTER OF GRAVITY**



**Choose position of rear wheel axle plate:**

Measure distance from front of back post to center of axle receiver.

Default setting is at 1 1/4"

Most stable					Most responsive
AMPUTEE <sup>1</sup>	3/4"	1" 1/4	1" 3/4	2" 1/4	2" 3/4
<input type="checkbox"/>	<input type="checkbox"/>	<input type="checkbox"/>	<input type="checkbox"/>	<input type="checkbox"/>	<input type="checkbox"/>

Motion Composites will select the closest possible center of gravity (COG) if an issue arises with the COG

1- Only available with amputee axle plate

**WHEEL LOCK**

WL08	<input type="checkbox"/>	Newton Wheel lock - push to lock				STD
WL14	<input type="checkbox"/>	6" removable extension handle for push to lock				\$73
WL16	<input type="checkbox"/>	Aluminum push to lock with extensions				\$73
WL02	<input type="checkbox"/>	Pull to lock				NC
WL04	<input type="checkbox"/>	Newton grade aid push to lock ( <i>works best with pneumatic or high pressure tire</i> )			WAMR	\$185
WL13	<input type="checkbox"/>	6" removable extension handle for pull to loc and grade aid				\$73
WL05	<input type="checkbox"/>	Scissors Lock				\$185
WL06	<input type="checkbox"/>	Attendant Lock ( <i>additional set of wheel lock mounted to the back</i> )				\$240
WL15	<input type="checkbox"/>	Unilateral wheel lock - pull to lock <sup>1</sup>	Left <input type="checkbox"/>	Right <input type="checkbox"/>	WAMN	\$335
WL99	<input type="checkbox"/>	Omit wheel locks				NC

1- For more information about incompatibilities and restriction, refer to the table at page 7 and the "How-to documents" page of our website:

[https://www.motioncomposites.com/en\\_ca/support-and-education/how-to-documents](https://www.motioncomposites.com/en_ca/support-and-education/how-to-documents)

**Armrests**

HEIGHT ADJUSTABLE FLIP BACK ARMREST ( <i>Convertible to "T" armrest</i> ) <sup>1,4</sup>						
AR01-812	<input type="checkbox"/>	10" Desk length armpad	8" - 12"	Locked <input type="checkbox"/>	Unlocked STD <input type="checkbox"/>	\$395
AR01-1014	<input type="checkbox"/>	10" Desk length armpad	10" - 14"	Locked <input type="checkbox"/>	Unlocked STD <input type="checkbox"/>	\$395
AR02-812	<input type="checkbox"/>	14" Full length armpad	8" - 12"	Locked <input type="checkbox"/>	Unlocked STD <input type="checkbox"/>	\$395
AR02-1014	<input type="checkbox"/>	14" Full length armpad	10" - 14"	Locked <input type="checkbox"/>	Unlocked STD <input type="checkbox"/>	\$395
HEIGHT ADJUSTABLE "T" ARMREST <sup>1</sup>						
AR13-610	<input type="checkbox"/>	10" Desk length armpad <sup>5</sup>	6" - 10"			\$380
AR13-812	<input type="checkbox"/>	10" Desk length armpad	8" - 12"			\$380
AR13-1014	<input type="checkbox"/>	10" Desk length armpad	10" - 14"			\$380
AR14-610	<input type="checkbox"/>	14" Full length armpad <sup>5</sup>	6" - 10"			\$380
AR14-812	<input type="checkbox"/>	14" Full length armpad	8" - 12"			\$380
AR14-1014	<input type="checkbox"/>	14" Full length armpad	10" - 14"			\$380
SWING AWAY ARMREST <sup>2</sup>						
AR05	<input type="checkbox"/>	Tubular armrest - Short pad	8" - 11"			\$315
AR23	<input type="checkbox"/>	Tubular armrest - long pad	8" - 11"			\$315
AR06	<input type="checkbox"/>	10" Desk length flat armpad	8" - 11"			\$315
AR17	<input type="checkbox"/>	14" Full length flat armpad	8" - 11"			\$315
ARMREST OPTIONS						
AR12	<input type="checkbox"/>	14" Full Length armpad - Gel Ovation (pair) <sup>3</sup>			SEAND0030	\$160
AR99	<input type="checkbox"/>	Omit armrest				NC

1- May have 1/2" adjustment restriction on both limits of the range; 2- Could interfere with some rigid backrests; Not available with attendant lock and fixed carbon fiber side guards;

3- Only available with full length armrest; Not available with tubular (short and long) and short armrest; 4- Not available with attendant lock; 5- May have some restriction with seat-to-floor height and rear wheel

SIDE GUARDS ( <i>not available with Flip Back and "T" Armrest</i> )						
SG01	<input type="checkbox"/>	Plastic side guards ( <i>removable</i> )			WAMV	\$235
SG02	<input type="checkbox"/>	Carbon fiber side guards ( <i>fixed</i> )			WAMV	\$285
SG03	<input type="checkbox"/>	Carbon fiber side guards ( <i>removable</i> )			WAMV	\$320
SG06	<input type="checkbox"/>	Plastic fender side guards - straight bracket ( <i>removable</i> )			WAMV	\$340
SG08	<input type="checkbox"/>	Plastic fender side guards - offset bracket ( <i>removable</i> ) <sup>1</sup>			WAMV	\$340
SG04	<input type="checkbox"/>	Carbon fiber fender side guards ( <i>removable</i> )			WAMV	\$510
SG99	<input type="checkbox"/>	Omit side guard				NC
SIDE GUARDS OPTION						
SG07	<input type="checkbox"/>	Side guards clip (pair) <sup>2</sup>				NC

1- only compatible with 0° camber; Increase distance between fender side guards by 1 1/8"; 2- Not available with fixed carbon fiber side guard

POSITIONING BELT			
SB01-S	<input type="checkbox"/>	Velcro adjustable - <b>Standard 35"</b> <sup>1</sup>	\$50
SB01-L	<input type="checkbox"/>	Velcro adjustable - <b>Long 60"</b>	\$50
SB02-S	<input type="checkbox"/>	Auto buckle - <b>Standard 35"</b> <sup>1</sup>	\$60
SB02-L	<input type="checkbox"/>	Auto buckle - <b>Long 60"</b>	\$60
SB04-M	<input type="checkbox"/>	BodyPoint Hip Belt - 2 point not padded - <b>Medium 56"</b>	\$95
SB04-L	<input type="checkbox"/>	BodyPoint Hip Belt - 2 point not padded - <b>Long 61"</b>	\$95
SB05-S	<input type="checkbox"/>	BodyPoint Hip Belt - 2 point padded - <b>Small 51"</b>	SERND0030 \$185
SB05-M	<input type="checkbox"/>	BodyPoint Hip Belt - 2 point padded - <b>Medium 56"</b>	SERND0030 \$185
SB05-L	<input type="checkbox"/>	BodyPoint Hip Belt - 2 point padded - <b>Long 61"</b>	SERND0030 \$185
SB06-S	<input type="checkbox"/>	BodyPoint Hip Belt - 4 point padded - <b>Small 51"</b>	SERND0020 \$210
SB06-M	<input type="checkbox"/>	BodyPoint Hip Belt - 4 point padded - <b>Medium 56"</b>	SERND0020 \$210
SB06-L	<input type="checkbox"/>	BodyPoint Hip Belt - 4 point padded - <b>Long 61"</b>	SERND0020 \$210
SB03	<input type="checkbox"/>	Hardware attachment for 2 extra points (1 pair)	\$15
SB08-M	<input type="checkbox"/>	BodyPoint EVOFLEX® Positioning Belt Rehab latch and Band Clamps - <b>Medium 18"</b>	\$355
SB08-L	<input type="checkbox"/>	BodyPoint EVOFLEX® Positioning Belt Rehab latch and Band Clamps - <b>Long 24"</b>	\$355
SB99	<input type="checkbox"/>	Omit positioning belt	STD

1- Not available with wheelchair width of 18" and more

HEADREST			
AC01-S	<input type="checkbox"/>	Profiled Headrest - <b>Small (3.5"X6")</b>	\$215
AC01-M	<input type="checkbox"/>	Profiled Headrest - <b>Medium (4.5"X7")</b>	\$215
AC01-L	<input type="checkbox"/>	Profiled Headrest - <b>Large (5.5"X8")</b>	\$215
AC28	<input type="checkbox"/>	Headrest mounting hardware with removable non folding stabilizer bar <sup>1</sup>	\$360

1- Only available with push handles - Not available with a stroller handle or a folding stabilizer bar

ACCESSORIES			
AC03	<input type="checkbox"/>	Anti-tippers	\$120
AC29	<input type="checkbox"/>	Swing-away anti-tipper <sup>1</sup> Left <input type="checkbox"/> Right <input type="checkbox"/>	\$185
AC27	<input type="checkbox"/>	Tip assist <sup>2</sup>	\$65
AC06	<input type="checkbox"/>	Cane and crutch holder      Left <input type="checkbox"/> Right <input type="checkbox"/>	\$115
AC07	<input type="checkbox"/>	Oxygen tank holder <sup>4</sup> - D and E Type - <i>Installed to the left</i>	\$395
AC08	<input type="checkbox"/>	Spoke guards <sup>3</sup> Available: 20", 22", 24", 26"	\$155
AC09	<input type="checkbox"/>	Footrest neoprene impact guard (pair) - Black	\$85
AC10	<input type="checkbox"/>	Seat pouch	\$100
AC30	<input type="checkbox"/>	Newton multi-purpose pouch	\$75
AC26	<input type="checkbox"/>	BodyPoint Mobility Bag	\$145
AC23	<input type="checkbox"/>	Newton Backpack	\$130
AC12	<input type="checkbox"/>	Velcro Closing Strap	\$55
AC13	<input type="checkbox"/>	Tool kit	\$55
AC16	<input type="checkbox"/>	Motion Composites Polo Shirt      W/S <input type="checkbox"/> W/M <input type="checkbox"/> W/L <input type="checkbox"/> M/S <input type="checkbox"/> M/M <input type="checkbox"/> M/L <input type="checkbox"/> M/XL <input type="checkbox"/> M/XXL <input type="checkbox"/> M/XXXL <input type="checkbox"/>	\$36

1- Must select the pair (left and right) with HD option; Only available with rear seat to floor height between 13 1/2" and 19 3/4"; 2- Cannot be combined with Anti Tippers

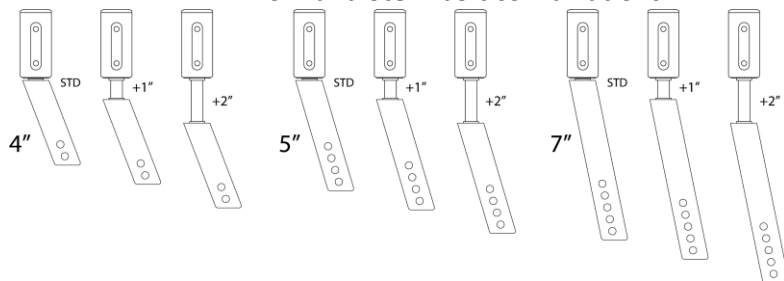
3- Not available with Mag wheels and Spinergy; 4- Not compatible with swing away armrest, amputee axle plate and WC-19 transit tie-down

Colors																				
Options <sup>1</sup>	Black	Sunkissed Orange	Burgundy	Sapphire Blue	Monster Green	Charcoal	Fuchsia	Steel Blue	Ferrari Red	Acid Green	Electric Purple	Caribbean Blue	White	Pink Pearl	Plum Purple	Sky Blue	Black Cherry	Khaki Green (matte)	Desert Sand (matte)	
AirGrip	<input type="checkbox"/> \$160	<input type="checkbox"/>	<input type="checkbox"/>	<input type="checkbox"/>	<input type="checkbox"/>	<input type="checkbox"/>	<input type="checkbox"/>	<input type="checkbox"/>	<input type="checkbox"/>	<input type="checkbox"/>	<input type="checkbox"/>	<input type="checkbox"/>	<input type="checkbox"/>	<input type="checkbox"/>	<input type="checkbox"/>	<input type="checkbox"/>	<input type="checkbox"/>	<input type="checkbox"/>	<input type="checkbox"/>	\$350
Frame <sup>2</sup>	<input type="checkbox"/> STD	<input type="checkbox"/>	<input type="checkbox"/>	<input type="checkbox"/>	<input type="checkbox"/>	<input type="checkbox"/>	<input type="checkbox"/>	<input type="checkbox"/>	<input type="checkbox"/>	<input type="checkbox"/>	<input type="checkbox"/>	<input type="checkbox"/>	<input type="checkbox"/>	<input type="checkbox"/>	<input type="checkbox"/>	<input type="checkbox"/>	<input type="checkbox"/>	<input type="checkbox"/>	<input type="checkbox"/>	NC
FC99	<input type="checkbox"/>	Custom Color <a href="#">Specify PPG Paintit color:</a>															additional 10 days lead-time	\$422		

1- Color representation may vary from one monitor to another. Therefore, the actual paint color on your wheelchair might differ slightly from what you see on your screen.; Finish between Airgrip and frame might be different;

2- with black hydroformed aluminum crossbrace

### Fork and Stem bolt combinations



### Unilateral wheel lock restrictions

Seat depth: shall be 16 in and greater		
Rear wheel: shall be 24 in and less		
"T" or flip-back armrest only compatible with 0° Camber		
One arm drive: Not compatible with "T" or flip-back armrest		
"T" or flip-back armrest may require to move the rear wheels outwards		
Not compatible with wheel lock lever extension		
Rear wheel diameter	Seat depth (in)	COG Compatibility Range (in)
20 in	16+	1.25 to 2.75
	16	0.75 to 2.25
22 in	17+	0.75 to 2.75
	16	0.75 to 1.75
24 in	17	0.75 to 2.25
	18+	0.75 to 2.75

Note :

# FOLDING ON CHAIR - CDN ORDER FORM

BioFit™ CUSHION		WIDTH										
		12"	13"	14"	15"	16"	17"	18"	19"	20"	21"	22"
DEPTH	12"	\$625	\$625	\$625								
	14"	\$625	\$625	\$625								
	15"		\$625	\$625	\$625	\$625						
	16"		\$625	\$625	\$625	\$625	\$625	\$625	\$655	\$655	\$655	\$655
	17"				\$625	\$625	\$625	\$625	\$655	\$655		
	18"				\$625	\$625	\$625	\$625	\$655	\$655	\$655	\$655
	19"				\$625	\$625	\$625	\$625	\$655	\$655		
	20"				\$625	\$625	\$625	\$655	\$655	\$655	\$655	\$655
Option: Change cover for incontinent / infection control outer cover												N/C



## SEATING AND CUSHION ACCESSORIES

	Model #	Description	Fits Back Width	\$	QTY
	RSSI 1600	Solid Seat Insert	Fits cushions 16" & 17" wide (40.6 & 43.2 cm) and 14"-18" deep (35.6-45.7 cm)	80	
	RSSI 1800	Solid Seat Insert	Fits cushions 18" & 19" wide (45.7 & 48.3 cm) and 14"-18" deep (35.6-45.7 cm)	80	
	RSSI 2000	Solid Seat Insert	Fits cushions 20"-22" wide (50.8-55.9 cm) and 18"-20" deep (45.7-50.8 cm)	80	

### Optima™ THORACIC BACK SUPPORT

CARBON FIBER SHELL (WEIGHT SAVINGS - 1lb)

### Optima™ DEEP THORACIC BACK SUPPORT

CARBON FIBER SHELL (WEIGHT SAVINGS - 1lb)

THORACIC SHAPE	WIDTH	HEIGHT	MODEL # CARBON FIBER	\$ CARBON	MODEL # ALUMINUM	\$ ALUMINUM
	14"	13"	NOCFACB1413	\$1150		
	14"	16"	NOCFACB1416	\$1150		
	15"	13"	NOCFACB1513	\$1150		
	15"	16"	NOCFACB1516	\$1150		
	16"	13"	NOCFACB1613	\$1150	NOACB1613	\$720
	16"	16"	NOCFACB1616	\$1150	NOACB1616	\$720
	16"	19"			NOACB1619	\$720
	17"	13"	NOCFACB1713	\$1150		
	17"	16"	NOCFACB1716	\$1150		
	18"	13"	NOCFACB1813	\$1150	NOACB1813	\$720
	18"	16"	NOCFACB1816	\$1150	NOACB1816	\$720
	18"	19"			NOACB1819	\$720
	20"	13"	NOCFACB2013	\$1150		
	20"	16"	NOCFACB2016	\$1150	NOACB2016	\$720
	20"	19"			NOACB2019	\$720
	22"	13"			NOACB2213	\$755
22"	16"			NOACB2216	\$755	
22"	19"			NOACB2219	\$755	

WIDTH	HEIGHT	MODEL # CARBON FIBER	\$ CARBON	MODEL # ALUMINUM	\$ ALUMINUM
14"	13"	NOCFPCB1413	\$1150		
14"	16"	NOCFPCB1416	\$1150		
15"	13"	NOCFPCB1513	\$1150		
15"	16"	NOCFPCB1516	\$1150		
16"	13"	NOCFPCB1613	\$1150		
16"	16"	NOCFPCB1616	\$1150	NOPCB1616	\$790
16"	19"			NOPCB1619	\$790
17"	13"	NOCFPCB1713	\$1150		
17"	16"	NOCFPCB1716	\$1150		
18"	13"	NOCFPCB1813	\$1150		
18"	16"	NOCFPCB1816	\$1150	NOPCB1816	\$790
18"	19"			NOPCB1819	\$790
20"	13"	NOCFPCB2013	\$1150		
20"	16"	NOCFPCB2016	\$1150	NOPCB2016	\$790
20"	19"			NOPCB2019	\$790
22"	13"			NOPCB2213	\$860
22"	16"			NOPCB2216	\$860
22"	19"			NOPCB2219	\$860

ITEM	WIDTH X DEPTH	\$	QTY
Replacement Cover & Foam	NOACC _____	130	

ITEM	WIDTH X DEPTH	\$	QTY
Replacement Cover & Foam	NOPCC _____	130	

PLEASE NOTE: Each back will fit widths up to 2" wider.

ALL PRICES QUOTED IN CDN. PRICES ARE SUBJECT TO CHANGE WITHOUT NOTICE.

For additional NXT models, sizes and hardware not shown, please refer to the complete NXT Seating Order Form at [www.motioncomposites.com](http://www.motioncomposites.com)



## FOLDING ON CHAIR - CDN ORDER FORM

### Xtend™ LOW HEIGHT ADJUSTABLE THORACIC BACK SUPPORT

### Xtend™ DEEP HEIGHT ADJUSTABLE THORACIC BACK SUPPORT

<b>THORACIC SHAPE</b>		<b>xtend™</b>	<b>WIDTH</b>	<b>HEIGHT</b>	<b>✓</b>	<b>\$</b>
		**NHAACB (L)1213/17	12"	13"-17"		\$725
		NHAACB (L)1413/17	14"	13"-17"		\$725
		NHAACB (L)1613/17	16"	13"-17"		\$725
		NHAACB (L)1813/17	18"	13"-17"		\$755
		NHAACB (L)2013/17	20"	13"-17"		\$755
		NHAACB (L)2213/17	22"	13"-17"		\$755
<b>ITEM</b>		<b>WIDTH X DEPTH</b>	<b>\$</b>	<b>QTY</b>		
Replacement Cover & Foam		N3LHAACC _ _ _ _	130			

	<b>xtend™ DEEP</b>	<b>WIDTH</b>	<b>HEIGHT</b>	<b>✓</b>	<b>\$</b>	
	NHAPCB1616/20	16"	16"-20"		\$755	
	NHAPCB1816/20	18"	16"-20"		\$755	
	NHAPCB2016/20	20"	16"-20"		\$755	
	NHAPCB2216/20	22"	16"-20"		\$755	
<b>ITEM</b>		<b>WIDTH X DEPTH</b>	<b>\$</b>	<b>QTY</b>		
Replacement Cover & Foam		N3HAPCC _ _ _ _	130			

PLEASE NOTE: Each back will fit widths up to 2" wider.

### Classic™ PELVIC BACK SUPPORT

### Classic™ DEEP PELVIC BACK SUPPORT

<b>PELVIC SHAPE</b>		<b>Classic™</b>	<b>WIDTH</b>	<b>HEIGHT</b>	<b>✓</b>	<b>\$</b>
		NACB1616	16"-18"	16"		\$720
		NACB1618	16"-18"	18"		\$720
		NACB1816	18"-20"	16"		\$720
		NACB1818	18"-20"	18"		\$720
		NACB1820	18"-20"	20"		\$720
		NACB2020	20"-22"	20"		\$720
		NACB2216	22"-24"	16"		\$755
		NACB2218	22"-24"	18"		\$755
		NACB2220	22"-24"	20"		\$755
<b>ITEM</b>		<b>WIDTH X DEPTH</b>	<b>\$</b>	<b>QTY</b>		
Replacement Cover & Foam		NACC _ _ _ _	130			

	<b>Classic DEEP™</b>	<b>WIDTH</b>	<b>HEIGHT</b>	<b>✓</b>	<b>\$</b>	
	NPCB1616	16"-18"	16"		\$825	
	NPCB1618	16"-18"	18"		\$825	
	NPCB1818	18"-20"	18"		\$825	
	NPCB1820	18"-20"	20"		\$825	
	NPCB2020	20"-22"	20"		\$825	
	NPCB2216	22"-24"	16"		\$860	
	NPCB2218	22"-24"	18"		\$860	
	NPCB2220	22"-24"	20"		\$860	
<b>ITEM</b>		<b>WIDTH X DEPTH</b>	<b>\$</b>	<b>QTY</b>		
Replacement Cover & Foam		NPCC _ _ _ _	130			

PLEASE NOTE: Each back will fit widths up to 2" wider.

### BACK SUPPORT ACCESSORIES

	<b>MODEL #</b>	<b>DESCRIPTION</b>	<b>FITS BACK WIDTH</b>	<b>\$</b>	<b>QTY</b>
	Custom - Cover	Optional Infection Control Wipe Down Back Support Cover	Specify back model # when ordering	205	
	NIB-1938	Extra Small Privacy Flap for 11" - 13" wide back supports	11" - 13" (27.9 - 33.0)	70	
	NIB-1078	Small Privacy Flap for 14"-16" wide back supports	14" - 16" (35.6-40.6 cm)	70	
	NIB-1079	Medium Flap for 17"-19" wide back supports	17" - 19" (43.2-48.3 cm)	70	
	NIB-1080	Large Privacy Flap for 20"-22" wide back supports	20" - 22" (50.8-55.9 cm)	70	
	NIB-1081	Extra Large Privacy Flap for 23" - 26" wide back supports	23" - 26" (58.4 - 66.0 cm)	70	

### MultiFit™ HEAD SUPPORT - MULTI-ADJUSTABLE PADS

### MultiFit™ HEAD SUPPORT - FIXTURES

	<b>MODEL # NIB-0784</b>	<b>✓</b>	<b>\$</b>
	10" x 5" Large Rectangular		\$205

	<b>MODEL # NIB-0818</b>	<b>✓</b>	<b>\$</b>
	14" x 5" Extra-Large Rectangular		\$205

	<b>MODEL # NIB-0747</b>	<b>✓</b>	<b>\$</b>
	Multi-Axis Hardware		\$150

	<b>MODEL # NIB-0823</b>	<b>✓</b>	<b>\$</b>
	Head Support Receiver Bracket		\$60

ALL PRICES QUOTED IN CDN. PRICES ARE SUBJECT TO CHANGE WITHOUT NOTICE.

For additional NXT models, sizes and hardware not shown, please refer to the complete NXT Seating Order Form at [www.motioncomposites.com](http://www.motioncomposites.com)