



Helio A6

ORDER FORM - INTERNATIONAL

1- Purchasing information

P.O. number:* _____ Date: _____

Company Name:* _____

Purchasing contact:* _____

Phone:* _____

Email:* _____

Contact preference:* Phone Email

Marked for: _____

3- Shipping information

Ship to:* _____

Name: _____

Address: _____

City: _____ State: _____

Zip Code: _____

Phone: _____

2- ATP/Clinician information

ATP/Clinician:* _____

Phone:* _____

Email:* _____

Contact preference:* Phone Email

MA083 <input type="checkbox"/>	MA084 <input type="checkbox"/>	MA085 <input type="checkbox"/>	MA086 <input type="checkbox"/>	MA087 <input type="checkbox"/>	MA088 <input type="checkbox"/>	MA089 <input type="checkbox"/>
English Manual	German Manual	Italian Manual	Dutch Manual	Spanish Manual	French Manual	Portuguese Manual

MODEL							USD (taxes not included)	
WC19	<input type="checkbox"/>	Ultralight folding Helio A6 Wheelchair - 6000 series aluminum (120 kg /265lb weight capacity)						\$2,250
WC09	<input type="checkbox"/>	HD Heavy duty kit (159 kg/350 lb weight capacity)						\$540
Frame								
SEAT WIDTH ³ - cm (inches)								
SW	<input type="checkbox"/>	35.56 (14") <input type="checkbox"/>	38.10 (15") <input type="checkbox"/>	40.64 (16") <input type="checkbox"/>	43.18 (17") <input type="checkbox"/>	45.72 (18") ¹ <input type="checkbox"/>	48.26 (19") ¹ <input type="checkbox"/>	NC
	<input type="checkbox"/>	50.80 (20") ¹ <input type="checkbox"/>					53.34 (21") ² <input type="checkbox"/>	55.88 (22") ² <input type="checkbox"/>
SEAT DEPTH - cm (inches)								
SD	<input type="checkbox"/>	35.56 (14") <input type="checkbox"/>	38.10 (15") <input type="checkbox"/>	40.64 (16") <input type="checkbox"/>	43.18 (17") <input type="checkbox"/>	45.72 (18") <input type="checkbox"/>	48.26 (19") <input type="checkbox"/>	NC
	<input type="checkbox"/>	50.80 (20") <input type="checkbox"/>						
TRANSIT TIE DOWN								
AC04	<input type="checkbox"/>	Transit Tie Down (Unoccupied)						NC
AC05-S	<input type="checkbox"/>	WC-19 Transit Tie Down w/Q'straint belt ⁴ Short belt 50-104 cm (20" - 41")						\$365
AC05-L	<input type="checkbox"/>	WC-19 Transit Tie Down w/Q'straint belt ⁴ Long belt 50-116 cm (20" - 46")						\$365
AC35	<input type="checkbox"/>	WC-19 Transit Tie Down without belt ⁴						\$335

1- Available with HD Kit (350 lb) 2- Only available with HD option 3. [Width calculator](#)
 4- May interfere with swing away armrest and Clamp on height adjustable push handle; Not available with HD option

A6 FRONT Seat-to-floor Height - Please select your choice

Fork/Position		7.62cm (3") caster			10.16cm (4") caster			12.7cm (5") caster			15.24cm (6") caster			17.78cm (7") caster			20.32cm (8") caster			
		Stem bolt Length			Stem bolt Length			Stem bolt Length			Stem bolt Length			Stem bolt Length			Stem bolt Length			
		STD	+ 2.54 cm 1"	+ 5.08cm 2"	STD	+ 2.54 cm 1"	+ 5.08cm 2"	STD	+ 2.54 cm 1"	+ 5.08cm 2"	STD	+ 2.54 cm 1"	+ 5.08cm 2"	STD	+ 2.54 cm 1"	+ 5.08cm 2"	STD	+ 2.54 cm 1"	+ 5.08cm 2"	
4 in 10.2cm	P1	30.48cm 12"	33.02cm 13"	35.56cm 14"	31.75cm 12.5"	34.29cm 13.5"	36.83cm 14.5"													
	P2	31.75cm 12.5"	34.29cm 13.5"	36.83cm 14.5"	33.02cm 13"	35.56cm 14"	38.10cm 15"	34.29cm 13.5"	36.83cm 14.5"	39.37cm 15.5"										
5 in 12.7cm	P1																			
	P2				33.02cm 13"	35.56cm 14"	38.10cm 15"	34.29cm 13.5"	36.83cm 14.5"	39.37cm 15.5"										
	P3	33.02cm 13"	35.56cm 14"	38.10cm 15"	34.29cm 13.5"	36.83cm 14.5"	39.37cm 15.5"	35.56cm 14"	38.10cm 15"	40.64cm 16"	36.83cm 14.5"	39.37cm 15.5"	41.91cm 16.5"							
	P4	34.29cm 13.5"	36.83cm 14.5"	39.37cm 15.5"	35.56cm 14"	38.10cm 15"	40.64cm 16"	36.83cm 14.5"	39.37cm 15.5"	41.91cm 16.5"	38.10cm 15"	40.64cm 16"	43.18cm 17"	39.37cm 15.5"	41.91cm 16.5"	44.45cm 17.5"				
7 in 17.8cm	P1												39.37cm 15.5"	41.91cm 16.5"	44.45cm 17.5"	40.64cm 16"	43.18cm 17"	45.72cm 18"		
	P2								39.37cm 15.5"	41.91cm 16.5"	44.45cm 17.5"	40.64cm 16"	43.18cm 17"	45.72cm 18"	41.91cm 16.5"	44.45cm 17.5"	46.99cm 18.5"			
	P3								40.64cm 16"	43.18cm 17"	45.72cm 18"	41.91cm 16.5"	44.45cm 17.5"	46.99cm 18.5"	43.18cm 17"	45.72cm 18"	48.26cm 19"	44.45cm 17.5"	46.99cm 18.5"	49.53cm 19.5"
	P4	39.37cm 15.5"	41.91cm 16.5"	44.45cm 17.5"	40.64cm 16"	43.18cm 17"	45.72cm 18"	41.91cm 16.5"	44.45cm 17.5"	46.99cm 18.5"	43.18cm 17"	45.72cm 18"	48.26cm 19"	44.45cm 17.5"	46.99cm 18.5"	49.53cm 19.5"	45.72cm 18"	48.26cm 19"	50.80cm 20"	
	P5	40.64cm 16"	43.18cm 17"	45.72cm 18"	41.91cm 16.5"	44.45cm 17.5"	46.99cm 18.5"	43.18cm 17"	45.72cm 18"	48.26cm 19"	44.45cm 17.5"	46.99cm 18.5"	49.53cm 19.5"	45.72cm 18"	48.26cm 19"	50.80cm 20"	46.99cm 18.5"	49.53cm 19.5"	52.07cm 20.5"	

Height available + - 0,65cm (1/4") (see stem bolt and fork combination at the end of the order form)

CASTERS				Availability	
CA01-03 to CA01-CA10 to CA11	<input type="checkbox"/>	Composite wheel w/ PU tire (1")		3", 4", 5", 6", 7", 8"	NC
CA14 to CA16	<input type="checkbox"/>	Pneumatic casters (1 ¼")		6", 8"	\$175
CA17 to CA19	<input type="checkbox"/>	Newton UltraCaster Composite (1 ½ ")		4", 5", 6"	\$98
	<input type="checkbox"/>	Newton UltraCaster Aluminum (1 ½ ")		4", 5", 6"	\$198
CASTER OPTIONS					
CA12	<input type="checkbox"/>	Caster Pin Locks (Available with +1" or +2" Stem bolt ONLY) ¹			\$320
CA13	<input type="checkbox"/>	Carbon fiber Frog Legs suspension forks (Not available with caster pin locks)			\$515

1- Not available with WC-19

Helio A6 - REAR Seat-to-floor Height - Please select your choice

20" (451)	22" (501)	24" (540)	25" (559)	26" (590)
30.48cm/12"	33.02cm/13"	34.92cm/13.75"	36.19cm/14.25"	37.46cm/14.75"
31.75cm/12.5"	34.29cm/13.5"	36.19cm/14.25"	37.46cm/14.75"	38.73cm/15.25"
33.02cm/13"	35.56cm/14"	37.46cm/14.75"	38.73cm/15.25"	40cm/15.75"
34.29cm/13.5"	36.83cm/14.5"	38.73cm/15.25"	40cm/15.75"	41.27cm/16.25"
35.56cm/14"	38.10cm/15"	40cm/15.75"	41.27cm/16.25"	42.54cm/16.75"
36.83cm/14.5"	39.37cm/15.5"	41.27cm/16.25"	42.54cm/16.75"	43.81cm/17.25"
38.10cm/15"	40.64cm/16"	42.54cm/16.75"	43.81cm/17.25"	45.08cm/17.75"
39.37cm/15.5"	41.91cm/16.5"	43.81cm/17.25"	45.08cm/17.75"	46.35cm/18.25"
40.64cm/16"	43.18cm/17"	45.08cm/17.75"	46.35cm/18.25"	46.99.6cm/18.75"
41.91cm/16.5"	44.45cm/17.5"	46.35cm/18.25"	46.99.6cm/18.75"	48.89cm/19.25"
43.18cm/17"	45.72cm/18"	46.99.6cm/18.75"	48.89cm/19.25"	50.16cm/19.75"
44.45cm/17.5"	46.99cm/18.5"	48.89cm/19.25"	50.16cm/19.75"	51.43cm/20.25"

Configuration used: 2.54 cm (1") seat slope with a center of gravity at 5.08 cm (2")

Note: Tire size, center of gravity setting and seat slope may result in a variation of +/- ½" of selected seat to floor height"

Footrest					
SWING-IN/SWING-OUT FOOTREST					
FR03-01	<input type="checkbox"/>	60° Swing-in/swing-out footrest - 34.29 - 43.18cm (13.5" - 17")		Set at: *	NC
FR03-02	<input type="checkbox"/>	60° Swing-in/swing-out footrest - 36.83 - 49.53cm (14.5" - 19.5")		Set at: *	NC
FR03-03	<input type="checkbox"/>	60° Swing-in/swing-out footrest - 39.29 - 52.07cm (15.5" - 20.5")		Set at: *	NC
FR04-01	<input type="checkbox"/>	70° Swing-in/swing-out footrest - 34.29 - 43.18cm (13.5" - 17")		Set at: *	NC
FR04-02	<input type="checkbox"/>	70° Swing-in/swing-out footrest - 36.83 - 49.53cm (14.5" - 19.5")		Set at: *	NC
FR04-03	<input type="checkbox"/>	70° Swing-in/swing-out footrest - 39.37 - 52.07cm (15.5" - 20.5")		Set at: *	NC
FR15-01	<input type="checkbox"/>	80° Swing-in/swing-out footrest - 34.29 - 40.64cm (13.5" - 16") ⁵		Set at: *	NC
FR15-02	<input type="checkbox"/>	80° Swing-in/swing-out footrest - 36.83 - 49.53cm (14.5" - 19.5") ⁵		Set at: *	NC
FR15-03	<input type="checkbox"/>	80° Swing-in/swing-out footrest - 39.37 - 52.07cm (15.5" - 20.5") ⁵		Set at: *	NC
FR06	<input type="checkbox"/>	90° swing-in/swing-out with front mount - Standard (no extension) ¹	19.05 - 27.94cm (7.5" - 11")	Set at: *	NC
FR07	<input type="checkbox"/>	90° swing-in/swing-out with front mount - Short extension 2" ^{1,2}	24.13 - 33.02cm (9.5" - 13")	Set at: *	NC
FR08	<input type="checkbox"/>	90° swing-in/swing-out with front mount - Medium extension 4" ^{1,2}	24.13 - 36.83cm (9.5" - 14.5")	Set at: *	NC
FOOTREST OPTIONS					
FR09	<input type="checkbox"/>	High mount (footplate attached to the hanger with clamps) ³	12.70 - 34.29cm (5" - 13.5")	Set at: *	\$85
FR10	<input type="checkbox"/>	Elevating legrest with calf pad, length adjustable ⁴ Left <input type="checkbox"/> Right <input type="checkbox"/>	35.56 - 55.88 cm (14"-22")	Set at:	\$248
FR99	<input type="checkbox"/>	Omit Footrest			NC

1- only available with two piece adj. footplates; 2- May interfere with front casters; 3- Not available with front mount and the elevating legrest; * +/- 1.27cm (1/2")

4- The elevating legrest replace the footrest side selected; Not available with one piece footplate; 5- Not available with 8" caster

FOOTPLATES					
FP01	<input type="checkbox"/>	Standard - Composite ¹			NC
FP02	<input type="checkbox"/>	Newton adjustable angle - Composite			\$230
FP03	<input type="checkbox"/>	Newton adjustable angle - Aluminum			\$255
FP06	<input type="checkbox"/>	One piece adjustable angle flip-up - Aluminum			\$205
FOOTPLATE ACCESSORIES					
FP08	<input type="checkbox"/>	Length adjustable heel loop ²			\$45
FP09	<input type="checkbox"/>	Calf strap			\$40
FP30	<input type="checkbox"/>	Bodypoint Aeromesh Padded calf strap			\$125

1- Not available with front mount; 2- not available with one piece footplate

SWING AWAY RESIDUAL LIMB SUPPORT					
FR27	<input type="checkbox"/>	Residual limb support - flat 15.24x20.32cm (6"x8")	Left <input type="checkbox"/> Right <input type="checkbox"/>		\$440
FR28	<input type="checkbox"/>	Residual limb support - flat 20.32x24.4cm (8"x10")	Left <input type="checkbox"/> Right <input type="checkbox"/>		\$440
FR29	<input type="checkbox"/>	Residual limb support - flat 25.4x25.4cm (10"x10")	Left <input type="checkbox"/> Right <input type="checkbox"/>		\$440
FR30	<input type="checkbox"/>	Residual limb support - flat 25.4x35.56cm (10"x14")	Left <input type="checkbox"/> Right <input type="checkbox"/>		\$440
FR32	<input type="checkbox"/>	Residual limb support - contour 15.24x20.32cm (6"x8")	Left <input type="checkbox"/> Right <input type="checkbox"/>		\$440
FR33	<input type="checkbox"/>	Residual limb support - contour 20.32x24.4cm (8"x10")	Left <input type="checkbox"/> Right <input type="checkbox"/>		\$440

Backrest

FIXED ANGLE BACK CANES WITH INTEGRATED PUSH HANDLE <i>(push handle included - no further selection needed)</i>								
BC58-915	<input type="checkbox"/>	Straight aluminum back cane	22.86 - 38.10cm (9" - 15")	<i>increment of 1/2"</i>	Set at ² :		NC	
BC58-1521	<input type="checkbox"/>	Straight aluminum back cane	38.10 - 53.34cm (15" - 21")	<i>increment of 1/2"</i>	Set at ² :		NC	
BC60	<input type="checkbox"/>	Straight aluminum back cane	53.34 - 60.96cm (21" - 24")	<i>increment of 1"</i>	Set at ² :		\$78	
BC01-16	<input type="checkbox"/>	8° bend aluminum back cane	40.64cm (16")				NC	
BC01-18	<input type="checkbox"/>	8° bend aluminum back cane	45.72cm (18")				NC	
BC01-20	<input type="checkbox"/>	8° bend aluminum back cane	50.08cm (20")				NC	
BC59	<input type="checkbox"/>	8° bend aluminum back cane	53.34 - 60.96cm (21" - 24")	<i>increment of 1"</i>	Set at ² :		\$78	
FIXED ANGLE, HEIGHT ADJUSTABLE BACK CANES WITH PUSH HANDLE OPTIONS <i>(MUST select ONE push handle options)</i>								
BC11-912	<input type="checkbox"/>	Straight aluminum back cane	22.86 - 30.48cm (9" - 12")	<i>increment of 1/2"</i>	Set at ² :		NC	
BC11-1215	<input type="checkbox"/>	Straight aluminum back cane	30.48 - 38.10cm (12" - 15")	<i>increment of 1/2"</i>	Set at ² :		NC	
BC11-1518	<input type="checkbox"/>	Straight aluminum back cane	38.10 - 45.72cm (15" - 18")	<i>increment of 1/2"</i>	Set at ² :		NC	
BC11-1821	<input type="checkbox"/>	Straight aluminum back cane	45.72 - 53.34cm (18" - 21")	<i>increment of 1/2"</i>	Set at ² :		NC	
BC12-1315	<input type="checkbox"/>	8° bend aluminum back cane	33.02 - 38.10cm (13.5" - 15")	<i>increment of 1/2"</i>	Set at ² :		NC	
BC12-1518	<input type="checkbox"/>	8° bend aluminum back cane	38.10 - 45.72cm (15" - 18")	<i>increment of 1/2"</i>	Set at ² :		NC	
BC12-1821	<input type="checkbox"/>	8° bend aluminum back cane	45.72 - 53.34cm (18" - 21")	<i>increment of 1/2"</i>	Set at ² :		NC	
ANGLE AND HEIGHT ADJUSTABLE BACK CANE WITH PUSH HANDLE OPTIONS <i>(MUST select ONE push handle options)</i>								
BC13-1518	<input type="checkbox"/>	Straight aluminum back cane	38.10 - 45.72cm (15" - 18")	<i>increment of 1/2"</i>	Set at ² :		\$275	
BC13-1821	<input type="checkbox"/>	Straight aluminum back cane	45.72 - 53.34cm (18" - 21")	<i>increment of 1/2"</i>	Set at ² :		\$275	
BC14-1518	<input type="checkbox"/>	8° bend aluminum back cane	38.10 - 45.72cm (15" - 18")	<i>increment of 1/2"</i>	Set at ² :		\$275	
BC14-1821	<input type="checkbox"/>	8° bend aluminum back cane	45.72 - 53.34cm (18" - 21")	<i>increment of 1/2"</i>	Set at ² :		\$275	
		Select back cane angle:	85° ¹ <input type="checkbox"/>	90° <input type="checkbox"/>	95° STD <input type="checkbox"/>	100° <input type="checkbox"/>	105° <input type="checkbox"/>	110° <input type="checkbox"/>
PUSH HANDLES OPTIONS <i>(ONE option at a time)</i>								
PH01	<input type="checkbox"/>	Push handles					STD	
PH05	<input type="checkbox"/>	Fold down push handles ^{3,5}					\$140	
PH06-920	<input type="checkbox"/>	clamp on height adjustable push handles 22.86 - 50.8cm (9" - 20") ^{3,4,5}					\$330	
PH06-923	<input type="checkbox"/>	clamp on height adjustable push handles 22.86 - 58.4cm (9" - 23") ^{3,4,5}					\$330	
PH02	<input type="checkbox"/>	Omit push handles					NC	
STROLLER HANDLE AND STABILIZER BAR <i>(only available with push handle)</i>								
PH04	<input type="checkbox"/>	Stroller handle <i>(not available with the HD option)</i>					\$175	
PH03	<input type="checkbox"/>	Newton folding stabilizer bar <i>(not available with stroller handle)</i>					\$275	

1- Not compatible with 8 degree bent back; 2- If not indicated, default height setting is at the lowest position; measured from seat sling to top of back upholstery; 3- 265 lb weight limit

4- Not compatible with swing away armrests, 8° bend back canes, 21-24" back canes and amputee axle plates; 5- Not compatible with stroller handle, stabilizer bar, headrest and attendant lock

BACK UPHOLSTERY							
BH05	<input type="checkbox"/>	Slip-on Nylon back upholstery					NC
BH06	<input type="checkbox"/>	Adjustable tension Nylon back upholstery					\$180
BH99	<input type="checkbox"/>	Omit Back upholstery					STD
SEAT CUSHION							
SC01	<input type="checkbox"/>	2" Cushion					\$180
SC02	<input type="checkbox"/>	3" Cushion					\$200
SC99	<input type="checkbox"/>	Omit seat cushion					STD

Rear wheels							
ONE ARM DRIVE ¹ <i>Only available with Newton One rear wheels with Aluminum, Plastic coated Handrims, permanent axles, 0° camber</i>							
HR22	<input type="checkbox"/>	One arm drive - aluminum inner handrim ^{2,3}	24"	Left <input type="checkbox"/>	Right <input type="checkbox"/>		\$1,510
HR60	<input type="checkbox"/>	One arm drive - plastic coated inner handrim ^{2,3}	24"	Left <input type="checkbox"/>	Right <input type="checkbox"/>		\$1,595
HR98	<input type="checkbox"/>	Omit handrim on opposite side of the One Arm Drive (OAD)					NC
REAR WHEELS						Available	
RW01	<input type="checkbox"/>	Mag ⁴				20", 22" 24"	\$57
RW02	<input type="checkbox"/>	Newton One - spoke wheel ⁵				20", 22" 24"	NC
RW03	<input type="checkbox"/>	Newton Gravity - ultralight wheel				20", 22", 24", 25", 26"	\$335
RW04	<input type="checkbox"/>	Spinergy Spox	Blk STD <input type="checkbox"/>	Wht ⁶ <input type="checkbox"/>	Blue ⁶ <input type="checkbox"/>	Red ⁶ <input type="checkbox"/>	Yel ⁶ <input type="checkbox"/>
RW05	<input type="checkbox"/>	Spinergy LX	Blk STD <input type="checkbox"/>	Pur ⁶ <input type="checkbox"/>	Wht ⁶ <input type="checkbox"/>	Blue ⁶ <input type="checkbox"/>	Red ⁶ <input type="checkbox"/>
RW07	<input type="checkbox"/>	Spinergy CLX ⁷	Blk STD <input type="checkbox"/>	Pur ⁶ <input type="checkbox"/>	Wht ⁶ <input type="checkbox"/>	Blue ⁶ <input type="checkbox"/>	Red ⁶ <input type="checkbox"/>
TIRES						Available	
Solid							
TI01	<input type="checkbox"/>	Soft Urethane 3.49cm (1 3/8")				20", 22" 24"	STD
TI02	<input type="checkbox"/>	Soft Urethane knobby 3.49cm (1 3/8 ") ⁸				22", 24", 25", 26"	\$105
TI04	<input type="checkbox"/>	Soft Urethane 2.54cm (1") - Shox				22", 24", 25", 26"	\$125
Pneumatic							
TI05	<input type="checkbox"/>	Pneumatic 3.49cm (1 3/8")				20", 22", 24", 25", 26"	NC
TI08	<input type="checkbox"/>	Pneumatic with Airless insert 3.49cm (1 3/8") ⁹				22", 24", 26"	\$90
TI06	<input type="checkbox"/>	Pneumatic HP, Low Tread, Puncture resistant, black 2.54cm (1") - SpeedLite				20", 22", 24", 25", 26"	\$110
TI07	<input type="checkbox"/>	Pneumatic HP, Medium Tread, Puncture resistant, black 2.54cm (1") - TrailBlazer				24", 25", 26"	\$140

1- Offered with handrims on each side of the wheelchair; select the outer handrim in the handrims section; 2- Only standard handrim position available; 3- Not available with HD option
4- Not compatible with HP tires; Only available with aluminum or plastic coated handrim, standard position; 5- Not compatible with Shox tires; 6- color spokes require an additional 10 days lead-time;
7- Only available with 1" tires; 8- 22" is only available with Mags and Newton One rear wheels; 9- Not available with Spinergy CLX, Spinergy LX 25", 26" and Spox 25", 26" rear wheels

Handrims							
HANDRIM						Available	
HR01	<input type="checkbox"/>	Aluminum anodized				20", 22", 24", 25", 26"	STD
HR61	<input type="checkbox"/>	Aluminum black hard anodized ²				20", 22", 24", 25"	\$75
HR02	<input type="checkbox"/>	Plastic coated ¹				20", 22", 24", 25", 26"	\$110
HR03	<input type="checkbox"/>	High friction coated ^{1,2,3}				22", 24", 25", 26"	\$380
HR07-HR18 and HR65-HR71	<input type="checkbox"/>	Newton Air Grip ²	<i>See page 6 for the color selection and price</i>			20", 22", 24", 25", 26"	
HR28	<input type="checkbox"/>	Surge ^{1,2,3} (1 1/2" Oval handrim w/ Gripton high friction strip)				22", 24", 25", 26"	\$425
HR05	<input type="checkbox"/>	Surge LT ^{1,2,3} (1 1/8" Oval handrim w/ Gripton high friction strip)				22", 24", 25", 26"	\$465
HR04	<input type="checkbox"/>	Natural Fit ^{1,2,3}				22", 24", 25", 26"	\$335
HR62	<input type="checkbox"/>	Simi H ^{1,2,3} (1 1/4" Oval handrim with high friction strip)				22", 24", 25", 26"	\$395
HR63	<input type="checkbox"/>	Nova H ^{1,2,3} (1 1/4" Oval handrim with high friction strip)				22", 24", 25", 26"	\$425
HR64	<input type="checkbox"/>	Optimum H ^{1,2,3} (1 1/8" heart-shaped handrim)				22", 24", 25", 26"	\$325
HR99	<input type="checkbox"/>	Omit handrim					NC

1- Only standard and narrow handrim position. By default, the tab won't be cut with the narrow position; 2- Not available with Mag wheels; 3 - Not available with one arm drive;

Handrims option							
ASSEMBLY POSITION							
HR29	<input type="checkbox"/>	Standard Handrim position	Full tab				STD
HR030	<input type="checkbox"/>	Narrow Handrim position no cut	Full tab				NC
HR30	<input type="checkbox"/>	Narrow Handrim position with cut ³	Short tab 2 positions				\$32
HR31	<input type="checkbox"/>	Super Narrow Handrim ³	Short tab 2 positions STD <input type="checkbox"/>	Short tab 1 position <input type="checkbox"/>			\$32

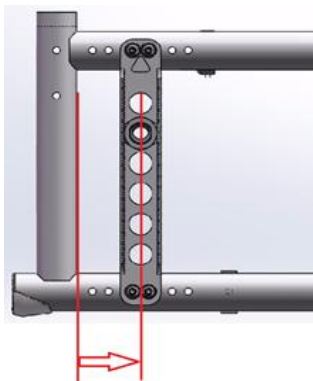
THUMB PIECE SELECTION FOR NATURAL FIT, SURGE, SURGE LT HANDRIMS							
HR23	<input type="checkbox"/>	Standard grip					\$95
HR27	<input type="checkbox"/>	Super grip					\$150
HR099	<input type="checkbox"/>	Omit thumb piece					NC

3- Only available with Aluminum and Air Grip handrims;

AXLE							
AX01	<input type="checkbox"/>	Quick release axle ¹					STD
AX02	<input type="checkbox"/>	Permanent axle					NC
AX03	<input type="checkbox"/>	Quad release axle ¹					\$135
AXLE PLATE							
AX04	<input type="checkbox"/>	Amputee adjustable axle plate ²					\$210

1- Not required with one arm drive 2 -May interfere with swing away armrest and limit seat to floor height available

REAR WHEEL CAMBER							
CM00	<input type="checkbox"/>	0° camber					STD
CM03	<input type="checkbox"/>	3° camber					NC



Choose position of rear wheel axle plate:

Measure distance from front of back post to center of axle receiver.

Default setting is at 3,8 cm (1" 1/4)



AMPUTEE ¹	1,9 cm (3/4")	3,8 cm (1" 1/4)	4,4 cm (1" 3/4)	5,7 cm (2" 1/4)	7 cm (2" 3/4)
<input type="checkbox"/>	<input type="checkbox"/>	<input type="checkbox"/>	<input type="checkbox"/>	<input type="checkbox"/>	<input type="checkbox"/>

Motion Composites will select the closest possible center of gravity (COG) if an issue arises with the COG

1- Only available with amputee axle plate

WHEEL LOCK

WL08	<input type="checkbox"/>	Newton Wheel lock - push to lock			STD
WL14	<input type="checkbox"/>	6" removable extension handle for push to lock			\$83
WL16	<input type="checkbox"/>	Aluminum push to lock with extensions			\$83
WL02	<input type="checkbox"/>	Pull to lock			NC
WL04	<input type="checkbox"/>	Newton grade aid push to lock (<i>works best with pneumatic or high pressure tire</i>)			\$165
WL13	<input type="checkbox"/>	6" removable extension handle for pull to lock and grade aid			\$83
WL05	<input type="checkbox"/>	Scissors Lock			\$155
WL06	<input type="checkbox"/>	Attendant Lock (<i>additional set of wheel lock mounted to the back</i>)			\$215
WL15	<input type="checkbox"/>	Unilateral wheel lock - pull to lock ¹	Left <input type="checkbox"/>	Right <input type="checkbox"/>	\$335
WL99	<input type="checkbox"/>	Omit wheel locks			NC

1- For more information about incompatibilities and restriction, refer to the table at page 8 and the "How-to documents" page of our website:

https://www.motioncomposites.com/en_intl/support-and-education/how-to-documents

Armrests

HEIGHT ADJUSTABLE "T" ARMREST ¹					
AR13-610	<input type="checkbox"/>	25.4cm (10") Desk length armpad ⁴	15.25 - 25.40cm (6" - 10")		\$350
AR13-812	<input type="checkbox"/>	25.4cm (10") Desk length armpad	20.32 - 30.48cm (8" - 12")		\$350
AR13-1014	<input type="checkbox"/>	25.4cm (10") Desk length armpad	25.40 - 35.56cm (10" - 14")		\$350
AR14-610	<input type="checkbox"/>	35.56cm (14") Full length armpad ⁴	15.25 - 25.40cm (6" - 10")		\$350
AR14-812	<input type="checkbox"/>	35.56cm (14") Full length armpad	20.32 - 30.48cm (8" - 12")		\$350
AR14-1014	<input type="checkbox"/>	35.56cm (14") Full length armpad	25.40 - 35.56cm (10" - 14")		\$350
HEIGHT ADJUSTABLE SWING AWAY ARMREST ²					
AR05	<input type="checkbox"/>	Tubular armrest - Short pad	20.32 - 27.94cm (8 - 11")		\$240
AR23	<input type="checkbox"/>	Tubular armrest - Long pad	20.32 - 27.94cm (8 - 11")		\$240
AR06	<input type="checkbox"/>	25.4cm (10") Desk Length flat armpad	20.32 - 27.94cm (8 - 11")		\$240
AR17	<input type="checkbox"/>	35.56cm (14") Full Length flat armpad	20.32 - 27.94cm (8 - 11")		\$240
ARMREST OPTIONS					
AR12	<input type="checkbox"/>	35.56cm (14") Full Length Armpad - Gel Ovation (pair) ³			\$165
AR99	<input type="checkbox"/>	Omit armrest			NC

1- May have 1/2" adjustment restriction on both limits of the range; 2- Could interfere with some rigid backrests; Not available with attendant lock and fixed carbon update side guards;

3- Only available with full length armrest; Not available with tubular (short and long) and short armrest; 4- May have some restriction with seat-to-floor height and rear wheel

SIDE GUARDS (not available with Flip Back and "T" Armrest)					
SG01	<input type="checkbox"/>	Plastic side guards (removable)			\$210
SG02	<input type="checkbox"/>	Carbon fiber side guards (fixed)			\$275
SG03	<input type="checkbox"/>	Carbon fiber side guards (removable)			\$315
SG06	<input type="checkbox"/>	Plastic fender side guards - straight bracket (removable)			\$295
SG08	<input type="checkbox"/>	Plastic fender side guards - offset bracket (removable) ¹			\$295
SG04	<input type="checkbox"/>	Carbon fiber fender side guards (removable)			\$550
SG99	<input type="checkbox"/>	Omit side guard			NC
SIDE GUARDS OPTION					
SG07	<input type="checkbox"/>	Side guards clip (pair) ²			NC

1- only compatible with 0°; Increase distance between fender side guards by 1 1/8"; 2- Not available with fixed carbon fiber side guard

POSITIONING BELT			
SB01-S	<input type="checkbox"/>	Velcro adjustable - Standard 88.9cm (35") ¹	\$50
SB01-L	<input type="checkbox"/>	Velcro adjustable - Long 152.40cm (60")	\$50
SB02-S	<input type="checkbox"/>	Auto buckle - Standard 88.9cm (35") ¹	\$95
SB02-L	<input type="checkbox"/>	Auto buckle - Long 152.40cm (60")	\$95
SB04-M	<input type="checkbox"/>	BodyPoint Hip Belt - 2 point not padded - Medium 142.24cm (56")	\$95
SB04-L	<input type="checkbox"/>	BodyPoint Hip Belt - 2 point not padded - Long 154.94cm (61")	\$95
SB05-S	<input type="checkbox"/>	BodyPoint Hip Belt - 2 point padded - Small 129.54cm (51")	\$185
SB05-M	<input type="checkbox"/>	BodyPoint Hip Belt - 2 point padded - Medium 142.24cm (56")	\$185
SB05-L	<input type="checkbox"/>	BodyPoint Hip Belt - 2 point padded - Long 154.94cm (61")	\$185
SB06-S	<input type="checkbox"/>	BodyPoint Hip Belt - 4 point padded - Small 129.54cm (51")	\$205
SB06-M	<input type="checkbox"/>	BodyPoint Hip Belt - 4 point padded - Medium 142.24cm (56")	\$205
SB06-L	<input type="checkbox"/>	BodyPoint Hip Belt - 4 point padded - Long 154.94cm (61")	\$205
SB03	<input type="checkbox"/>	Hardware attachment for 2 extra points (1 pair)	\$17
SB08-M	<input type="checkbox"/>	BodyPoint EVOFLEX® Positioning Belt Rehab latch and Band Clamps - Medium 73.66 (18")	\$310
SB08-L	<input type="checkbox"/>	BodyPoint EVOFLEX® Positioning Belt Rehab latch and Band Clamps - Long 93.98cm (24")	\$310
SB99	<input type="checkbox"/>	Omit positioning belt	STD

1- Not available with wheelchair width of 45.72cm (18") and more

HEADREST			
AC01-S	<input type="checkbox"/>	Profiled Headrest - Small 8.8x15.2cm (3.5"X6")	\$195
AC01-M	<input type="checkbox"/>	Profiled Headrest - Medium 11.4x17.8cm (4.5"X7")	\$195
AC01-L	<input type="checkbox"/>	Profiled Headrest - Large 14x2.3cm(5.5"X8")	\$195
AC28	<input type="checkbox"/>	Headrest mounting hardware with removable non folding stabilizer bar ¹	\$320

1- Only available with push handles - Not available with a stroller handle or a folding stabilizer bar

ACCESSORIES			
AC03	<input type="checkbox"/>	Anti-tippers	\$150
AC29	<input type="checkbox"/>	Swing-away anti-tipper ¹ Left <input type="checkbox"/> Right <input type="checkbox"/>	\$165
AC27	<input type="checkbox"/>	Tip assist ²	\$67
AC06	<input type="checkbox"/>	Cane and crutch holder Left <input type="checkbox"/> Right <input type="checkbox"/>	\$130
AC07	<input type="checkbox"/>	Oxygen tank holder ⁴ - D and E Type - <i>Installed to the left</i>	\$335
AC08	<input type="checkbox"/>	Spoke guards ³ Available: 20", 22", 24", 26"	\$125
AC09	<input type="checkbox"/>	Footrest neoprene impact guard (pair) - Black	\$100
AC10	<input type="checkbox"/>	Seat pouch	\$83
AC30	<input type="checkbox"/>	Newton multi-purpose pouch	\$62
AC26	<input type="checkbox"/>	BodyPoint Mobility Bag	\$135
AC23	<input type="checkbox"/>	Newton Backpack	\$130
AC12	<input type="checkbox"/>	Velcro Closing Strap	\$57
AC13	<input type="checkbox"/>	Tool kit	\$50
AC16	<input type="checkbox"/>	Motion Composites Polo Shirt W/S <input type="checkbox"/> W/M <input type="checkbox"/> W/L <input type="checkbox"/> M/S <input type="checkbox"/> M/M <input type="checkbox"/> M/L <input type="checkbox"/> M/XL <input type="checkbox"/> M/XXL <input type="checkbox"/> M/XXXL <input type="checkbox"/>	\$36

1- Must select the pair (left and right) with HD option; Only available with rear seat to floor height between 34.3cm (13 1/2") and 50.2cm (19 3/4"); 2- Cannot be combined with Anti Tipplers

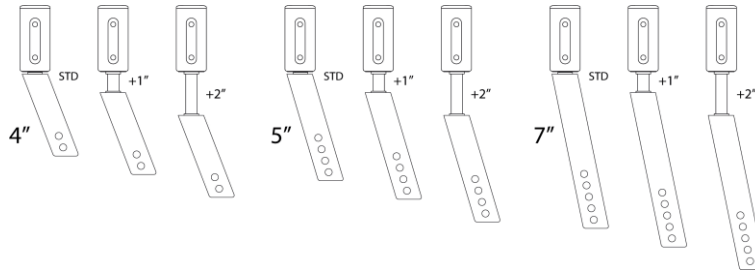
3- Not available with Mag wheels and Spinerig; 4- Not compatible with swing away armrest, amputee axle plate and WC-19 transit tie-down

Colors																				
Options ¹	Black	Sunkissed Orange	Burgundy	Sapphire Blue	Monster Green	Charcoal	Fuchsia	Steel Blue	Ferrari Red	Acid Green	Electric Purple	Caribbean Blue	White	Pink Pearl	Plum Purple	Sky Blue	Black Cherry	Khaki Green (matte)	Desert Sand (matte)	
AirGrip	<input type="checkbox"/> \$110	<input type="checkbox"/>	<input type="checkbox"/>	<input type="checkbox"/>	<input type="checkbox"/>	<input type="checkbox"/>	<input type="checkbox"/>	<input type="checkbox"/>	<input type="checkbox"/>	<input type="checkbox"/>	<input type="checkbox"/>	<input type="checkbox"/>	<input type="checkbox"/>	<input type="checkbox"/>	<input type="checkbox"/>	<input type="checkbox"/>	<input type="checkbox"/>	<input type="checkbox"/>	<input type="checkbox"/>	\$265
Frame ²	<input type="checkbox"/> STD	<input type="checkbox"/>	<input type="checkbox"/>	<input type="checkbox"/>	<input type="checkbox"/>	<input type="checkbox"/>	<input type="checkbox"/>	<input type="checkbox"/>	<input type="checkbox"/>	<input type="checkbox"/>	<input type="checkbox"/>	<input type="checkbox"/>	<input type="checkbox"/>	<input type="checkbox"/>	<input type="checkbox"/>	<input type="checkbox"/>	<input type="checkbox"/>	<input type="checkbox"/>	<input type="checkbox"/>	NC
FC99	<input type="checkbox"/>	Custom Color Specify PPG Paintit color: additional 10 days lead-time																	\$390	

1- Color representation may vary from one monitor to another. Therefore, the actual paint color on your wheelchair might differ slightly from what you see on your screen.; Finish between Airgrip and frame might be different;

2- with black hydroformed aluminum crossbrace

Fork and Stem bolt combinations



Unilateral wheel lock restrictions

Seat depth: shall be 16 in and greater		
Rear wheel: shall be 24 in and less		
"T" or flip-back armrest only compatible with 0° Camber		
One arm drive: Not compatible with "T" or flip-back armrest		
"T" or flip-back armrest may require to move the rear wheels outwards		
Not compatible with wheel lock lever extension		
Rear wheel diameter	Seat depth (in)	COG Compatibility Range (in)
20 in	16+	1.25 to 2.75
22 in	16	0.75 to 2.25
	17+	0.75 to 2.75
24 in	16	0.75 to 1.75
	17	0.75 to 2.25
	18+	0.75 to 2.75

Notes :