



# RAZE ORDER FORM

EFFECTIVE MAY 2026 (CDN MSRP)

Date: \_\_\_\_\_

Dealer / Location: \_\_\_\_\_ T: \_\_\_\_\_ F: \_\_\_\_\_

PO# / Client: \_\_\_\_\_ Contact: \_\_\_\_\_ Email: \_\_\_\_\_

Raze modular frame for over-toilet use / tub transfer bench when combined with the optional transfer surface.

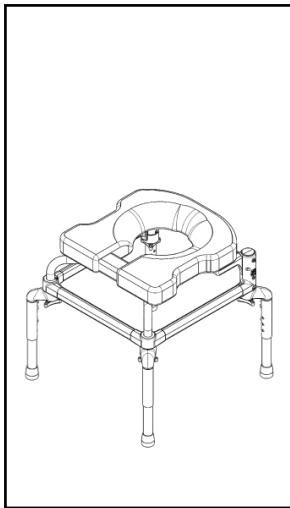
User weight capacity 159 kg.

## 1. Frame Configurations

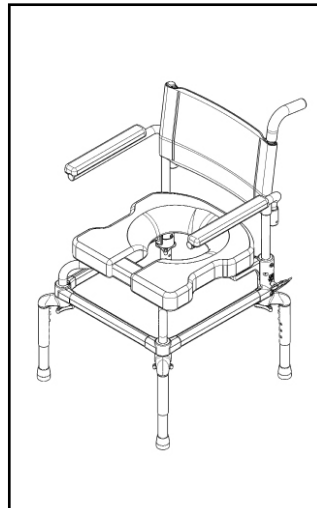
Z4441	Raze Frame with tall leg set – for over-toilet / shower stall use	\$1,435
Z4442	Raze Frame with short leg set – for tub use <b>MUST SELECT TRANSFER SURFACE BELOW</b>	\$1,485
<b>Transfer Surfaces (for tub and shower stall use) – MUST select a Transfer Surface for use in tub (Z4442).</b>		
Optional for shower stall use.		
ZRZTSN	Transfer Surface – Narrow (8.5" x 16"D) [Suitable for most tubs]	\$670
ZRZTSW	Transfer Surface – Wide (12.5" x 16"D)	\$795

## 2. Raze Travel Kit

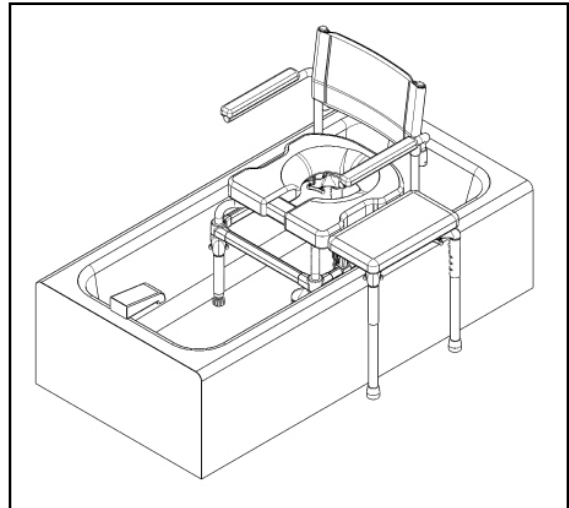
ZRAZETK	Raze Travel Kit – Includes travel case, protective foam layer, seat and accessories pouches. Commode Pan will not fit in Travel Kit suitcase.	\$465
---------	--	-------



Z4441



Z4441 with optional  
ZRB1815 and ZCHL



Z4442 with optional ZRB1815 and ZRZTSN

## 3. Optional Components

ZRAB1815	Raze Back - 18"W x 15"H w/ wrap-around removable arm supports, molded vinyl back upholstery (Recommended for tub use)	\$445
ZUZR1815	Back Upholstery Tension-Adjustable 18"W x 15"H w/ band clamps and upholstery support clips for wrap-around back style (must order with ZRAB1815)	\$235
ZCHL	Removable Cane Handle – Left (Required when Chest Belt is ordered with molded upholstery)	\$80
ZCHR	Removable Cane Handle – Right (Required when Chest Belt is ordered with molded upholstery)	\$80
<b>Additional Leg Sets (for use over toilet, in shower stall and in tub)</b>		
ZRZSL	Short Leg Set – for tub use (when Z4441 is ordered)	\$180
ZRZTL	Tall Leg Set – for toilet use / shower stall use with Transfer Surface (when Z4442 is ordered)	\$140

**4. Seats – Standard** – Please note that the Molded and VFI seats, formerly designated 16" D and 48.5cm D, are now designated.

Molded Seats (thickness ~6.5cm - 3")			Visco-Foam Interface Seats (thickness ~3.5")		
ZMS17FRO	18"W x 17"D – Front Access	Standard	ZVFI17BRI	18"W x 17"D – Front Bridged	\$495
ZMS17BRI	18"W x 17"D – Front Bridged	N/C	ZVFI17FRO	18"W x 17"D – Front Access	\$495
ZMS20FRO	18"W x 20"D – Front Access	\$155	ZVFI17LTO	18"W x 17"D – Left Access	\$495
ZMS20BRI	18"W x 20"D – Front Bridged	\$155	ZVFI17RTO	18"W x 17"D – Right Access	\$495
<b>Specialty Seats</b>			ZVFI17RRO	18"W x 17"D – Rear Access	\$495
ZSOM	Shower-Only Seat – Molded 18" W x 18"W x 16"-21"D	\$460	ZVFI20BRI	18"W x 20"D – Front Bridged	\$520
ZEJRM	E&J Replica Seat – Molded – 18"W x 17"D	\$225	ZVFI20FRO	18"W x 20"DD – Front Access	\$520
ZEJRV	E&J Replica Seat – Visco Foam – 18"W x 17"D	\$970	ZVFI20LTO	18"W x 20"DD – Left Access	\$520
			ZVFI20RTO	18"W x 20"D – Right Access	\$520
			ZVFI20RRO	18"W x 20"DD – Rear Access	\$520
<b>Seat Options</b>					
ZSS05	Spacers for Front Seat Brackets – 0.5" higher (pr) – for adding dump angle (based on 18" D seat)				\$120
ZSS10	Spacers for Front Seat Brackets – 1" higher (pr) – for adding dump angle (based on 18" D seat)				\$140

**5. Seats – Custom**

For custom seats, please specify seat width and depth. Indicate if the access opening is to be in the Front, Left, Right or Rear. Select Bridged if an access opening is not required. [See Custom Seat Assessment Form – Resources tab at razdesigninc.com](#)

ZCSEAT	Custom Dual-Visco Foam Seat (enter specs below) <b>Select if both width and depth are ≤ 21"</b>	\$1,155
ZCEJR	Custom E&J Replica Seat (enter specs below) <b>Select if both width and depth are ≤ 21"</b>	\$1,360

**Custom Specifications** (for above custom seats)

Seat Frame Width:	18"
Custom Seat Width:	__ 18" / 20"
Custom Seat Depth:	__ 17" / 18" / 19" / 20"
Access Opening:	__ FR – Front / LT – Left / RT – Right / RR – Rear / BR – Bridged / FAR – Front and Rear
Access Opening Width:	__ 2.5" / 3.0" / 3.5" / 4.0" / 4.5" / 5.0" (3.5"W is standard)
Aperture Width:	__ 3.0" - 8.0" (6.5" recommended) – enter "NA" if aperture is not required

- Unless otherwise requested, the width of the aperture (inside width dimension of the commode opening) will be 6.5" for custom seats.
- Custom Seat width should not be narrower than frame width.
- Custom Seat can be up to 2" wider than seat frame width to provide additional thigh support, unless ordering Transfer Surface, which requires 18"W seat only
- The Ischial Pelvic Alignment System (IPAS) allows 5cm fore/aft adjustment of the seat (seat depth and aperture position) on all seats.
- Special modifications on Custom Seats include: leg-length discrepancy, soft spots, pressure-relief areas, contouring, etc.

## 6. Arm Supports and Accessories for Back Support ZRB1815

ZASWL	Arm Supports (pr) Wraparound – Long	Standard
ZASWS	Arm Supports (pr) Wraparound – Short <sup>1</sup>	N/C
<b>Arm Support Pads</b>		
ZARMLL	Molded pad long 13" – Left (fits ZASWL)	Standard
ZARMLR	Molded pad long 13" – Right (fits ZASWL)	Standard
ZARMSL	Molded pad short 10" – Left (fits ZASWS)	N/C
ZARMSR	Molded pad short 10" – Right (fits ZASWS)	N/C
ZTAPLL	Tubular sleeve long 13" – Left (in lieu of molded pads, fits ZASWL)	N/C
ZTAPLR	Tubular sleeve long 13" – Right (in lieu of molded pads, fits ZASWL)	N/C
ZTAPSL	Tubular sleeve short 10" – Left (in lieu of molded pads, fits ZASWS)	N/C
ZTAPSR	Tubular sleeve short 10" – Right (in lieu of molded pads, fits ZASWS)	N/C
ZFAPLL	Molded Flat Armpad Long 13" L x 3.25" W – Left (fits ZASWL)	\$95
ZFAPLR	Molded Flat Armpad Long 13" L x 3.25" W – Right (fits ZASWL)	\$95
ZFAPSL	Molded Flat Armpad Short 10" L x 3" W – Left (fits ZASWS)	\$95
ZFAPSR	Molded Flat Armpad Short 10" L x 3" W – Right (fits ZASWS)	\$95
ZTRSL	Arm Trough – Small Left (16" L x 4.25" W) <sup>NEW</sup>	\$130
ZTRSR	Arm Trough – Small Right (16" L x 4.25" W) <sup>NEW</sup>	\$130
ZTRML	Arm Trough – Medium Left (18.5" L x 5" W)	\$130
ZTRMR	Arm Trough – Medium Right (18.5" L x 5" W)	\$130
ZTRLL	Arm Trough <sup>2</sup> – Large Left (21" L x 5.25" W) <sup>NEW</sup>	\$130
ZTRLR	Arm Trough <sup>2</sup> – Large Right (21" L x 5.25" W) <sup>NEW</sup>	\$130
ZPAML	Pivoting Arm Mount <sup>3</sup> – Left (for ZFAPLL / ZFAPLR / ZTRSL / ZTRML / ZTRLL)	\$190
ZPAMR	Pivoting Arm Mount <sup>3</sup> – Right (for ZFAPLR / ZFAPSR / ZTRSR / ZTRMR / ZTRLR)	\$190
ZAPSB18	Anterior Posture Support Bar (for ZARM only)	\$225
<sup>1</sup> Not compatible with ZPAM / ZFAPL / ZFAPS / ZTRM / ZTRL <sup>2</sup> May not fit in Travel Kit Accessory Bag <sup>3</sup> Recommended when Lateral Thoracic Supports (ZTLS) and Molded Arm Troughs (ZTR) are both ordered		

**7. Foot and Leg Supports – Only ZRAFMFS/R, ZFET2L/R, ZRAFMFX8L/R, ZRAFMFX12L/R are compatible with Raze Travel Kits (ZRATK)**

ZRAFMFSL	Foot Support Mount w ZFS Foot Support, Left — 16" - 20"	\$190
ZRAFMFSR	Foot Support Mount w ZFS Foot Support, Right — 16" - 20"	\$190
ZFET2L	Footrest Extension Tube <sup>1,2</sup> Left – 5cm longer	\$35
ZFET2R	Footrest Extension Tube <sup>1,2</sup> Right – 5cm longer	\$35
ZRAFMFX8L	Foot Support Mount w MFX8 Foot Support, Left — 8" - 12"	\$210
ZRAFMFX8R	Foot Support Mount w MFX8 Foot Support, Right — 8" - 12"	\$210
ZRAFMFX12L	Foot Support Mount w MFX12 Foot Support, Left — 12.5" - 16.5"	\$225
ZRAFMFX12R	Foot Support Mount w MFX12 Foot Support, Right — 12.5" - 16.5"	\$225
ZADABS18L	Angle/Depth Adj ABS Footplate Left For 18" W frame	\$110
ZADABS18R	Angle/Depth Adj ABS Footplate Right For 18" W frame	\$110
ZADML	Adj Angle/Depth Molded Footplate - Left	\$110
ZADMR	Adj Angle/Depth Molded Footplate - Right	\$110
ZFET2AL	Footrest Extension Tube Left for ZADML <sup>2</sup> – 5cm longer	\$30
ZFET2AR	Footrest Extension Tube Right for ZADMR <sup>2</sup> – 5cm longer	\$30
ZRAFMRLSL	Foot Support Mount w Universal Residual Limb Support, Left	\$395
ZRAFMRLSR	Foot Support Mount w Universal Residual Limb Support, Right	\$395

<sup>1</sup> Not compatible with ZMFX12/ZADM  
<sup>2</sup> Not compatible with Z4442 / ZRZSL

**8. Foot and Leg Support Accessories – ZFSLK, ZAHL, ZNCA are NOT compatible with Raze Travel Kits (ZRATK)**

ZFSLK	Foot Support Lock (pr)	\$110
ZCS18	Calf Strap, Snap-On – Bodypoint Aeromesh – for 18"W base frame	\$155
ZCSIC18	Calf Strap, Snap-On – Infection Control – 18"W base frame	\$165
ZCPL	Calf Panel – Bodypoint Aeromesh <sup>1</sup> Fits frame widths (16" / 18" / 20")	\$225
ZHS1820	H-Strap – for 18" / 20"W frames – hook and loop attachment	\$105
ZAHL	Adjustable Heel Loops (pr)	\$75
ZNC	Neoprene Cover for Standard Footplate (pr)	\$90
ZNCA	Neoprene Cover for Angle/Depth Adjustable Footplates	\$90
ZLOR	Lateral Offset Foot Support Receiver (ea) <sup>2</sup> – moves foot support 2" laterally or medially. Specify 1 or 2 ___	\$135
ZMOR	Medial Offset Foot Support Receiver (ea) – moves foot support 2" laterally or medially. Specify 1 or 2 ___	\$135
ZFOR	Forward Offset Foot Support Receiver – (ea) Moves foot support forward 6.5cm to accomodate deeper seats and reduced knee flexion range. Specify 1 or 2 ___	\$140

<sup>1</sup> Not compatible with ZMFX12 / ZFBT / ZVS  
<sup>2</sup> May not fit in tubs narrower than 23" W

## 9. Pelvic and Chest Belts – A CHEST BELT MUST NEVER BE USED WITHOUT A PELVIC BELT!

Pelvic Belts			Chest Belts (Requires Cane Handles)		
ZPBM	Pelvic Belt – Medium (frame widths 16" - 18" , 2-piece w/ side-release buckle)	\$60	ZCBM	Chest Belt – Medium (back widths 16" - 18" , 1-piece w/ hook and loop closure)	\$45
ZPBL	Pelvic Belt – Large (frame widths 18" - 22" , 2-piece w/ side-release buckle)	\$55	ZCBL	Chest Belt – Large (back widths 18" - 22" , 1-piece w/ hook and loop closure)	\$55
ZPBICM	Infection Control Pelvic Belt <sup>1</sup> – Medium (frame widths 16" -18" , 2-piece w/ side-release buckle)	\$110	ZCBICM	Infection Control Chest Belt <sup>1</sup> – Medium (back widths 16" - 18" , 1-piece w/ side-release buckle)	\$90
ZPBICL	Infection Control Pelvic Belt <sup>1</sup> – Large (frame widths 18" - 22" , 2-piece w/ side-release buckle)	\$110	ZCBICL	Infection Control Chest Belt <sup>1</sup> – Large (back widths 18" - 22" , 1-piece w/ side-release buckle)	\$100
ZPBBPM	Pelvic Belt – Bodypoint Aeromesh – Med	\$295	ZCBBPM	Chest Belt – Bodypoint Aeromesh – Med	\$310
ZPBBPL	Pelvic Belt – Bodypoint Aeromesh – Large	\$295	ZCBBPL	Chest Belt – Bodypoint Aeromesh – Large	\$310

<sup>1</sup> Non-absorbent belts – recommended for infection-control environments

## 10. Positioning Pads for Back Support ZRB1815 – Pad Sizes: Small 5.5" x 3.5" / Large – 6.75" x 4.5".

ZLTSWAP1L	Lateral Thoracic Support for Wraparound Arm w/ Small Pad – Left	\$380
ZLTSWAP1R	Lateral Thoracic Support for Wraparound Arm w/ Small Pad – Right	\$380
ZLTSWAP2L	Lateral Thoracic Support for Wraparound Arm w/ Large Pad – Left	\$380
ZLTSWAP2R	Lateral Thoracic Support for Wraparound Arm w/ Large Pad – Right	\$380

## 11. Urine Management

ZIHW	Whizard – winged urine deflector – Has patent lateral wings that are positioned under the medial aspect of the thighs to keep the Whizard in place.	\$75
ZSS	SplaShield – Molded urine deflector (must be held in place during use)	\$170
ZSC17	Splash Curtain <sup>1</sup> for 43cm D Bridged Front Seats, Molded and VFI (surrounds entire aperture, raises seat 0.5").	\$345
ZSC20	Splash Curtain <sup>1</sup> for 20" D Bridged Front Seats, Molded and VFI (surrounds entire aperture, raises seat 0.5").	\$390
ZSCC	Custom Splash Curtain for Custom Seat – Raises seat 0.5"	\$420
ZSCSI	Slide-In Splash Curtain – Vinyl curtain, slides into commode pan brackets	\$390
ZCPAN	Commode Pan (with brackets)	N/C

<sup>1</sup> For Left, Right, Front, and Rear Open, call for order codes and pricing.

## 12. Credits and Omissions

Z915	Omit Seat	-\$73
------	-----------	-------

**13. Notes:**

--

Specifications	Raised Toilet Seat	Raised Toilet Seat w/ Optional Back Support	Transfer Tub Bench	Transfer Tub Bench w/ Optional Back Support
Weight Capacity	352 lbs			
Overall Width – w/ Narrow Transfer Surface (8.5") – w/ Wide Transfer Surface (12.5")	20"-23.75"	23.25"-23.75"	29.75"-31.25"  33.75"-35.25"	
Overall Length (front to rear)	20"-24.25"			
Back support height above seat	N/A	15"	N/A	15"
Back support Width	N/A	18"	N/A	18"
Arm support height above seat	9" (w/ molded seat)			
Seat frame weight	19.5"			
Seat depth (middle of IPAS range)	17" or 20"			

Specifications	Raised Toilet Seat	Raised Toilet Seat w/ Optional Back Support	Transfer Tub Bench	Transfer Tub Bench w/ Optional Back Support
Clearance height under seat– 0.5" increments	16.5"-19.5" (w/ molded seat) * without brackets +0.75"		N/A	
Under-seat clearance width	11.25"-15.5"		N/A	
Overall Length (front to rear)	20"-24.25"			
Seat-to-floor height	20.25"-23.25" 0.5" increments		N/A	
Transfer surface-to-floor height	N/A		21"-24" (to floor outside tub)	
Tub wall clearance height	N/A		16.75"-19.75" (to floor outside tub)	
Product weight	19 lbs	26 lbs	26.5 lbs	33.5 lbs
Frame and hardware material	Aluminum			
<sup>1</sup> Lifetime warranty against corrosion				