



Shaped to support
your every move

Optima

Thoracic Back Support

The NXT Optima Back Support allows for optimal pelvic positioning while providing proper support for the user's thoracic region. The Optima offers a very large range of width and height choices to accommodate a large range of users, from very active to less active - and body types from very small to bariatric.



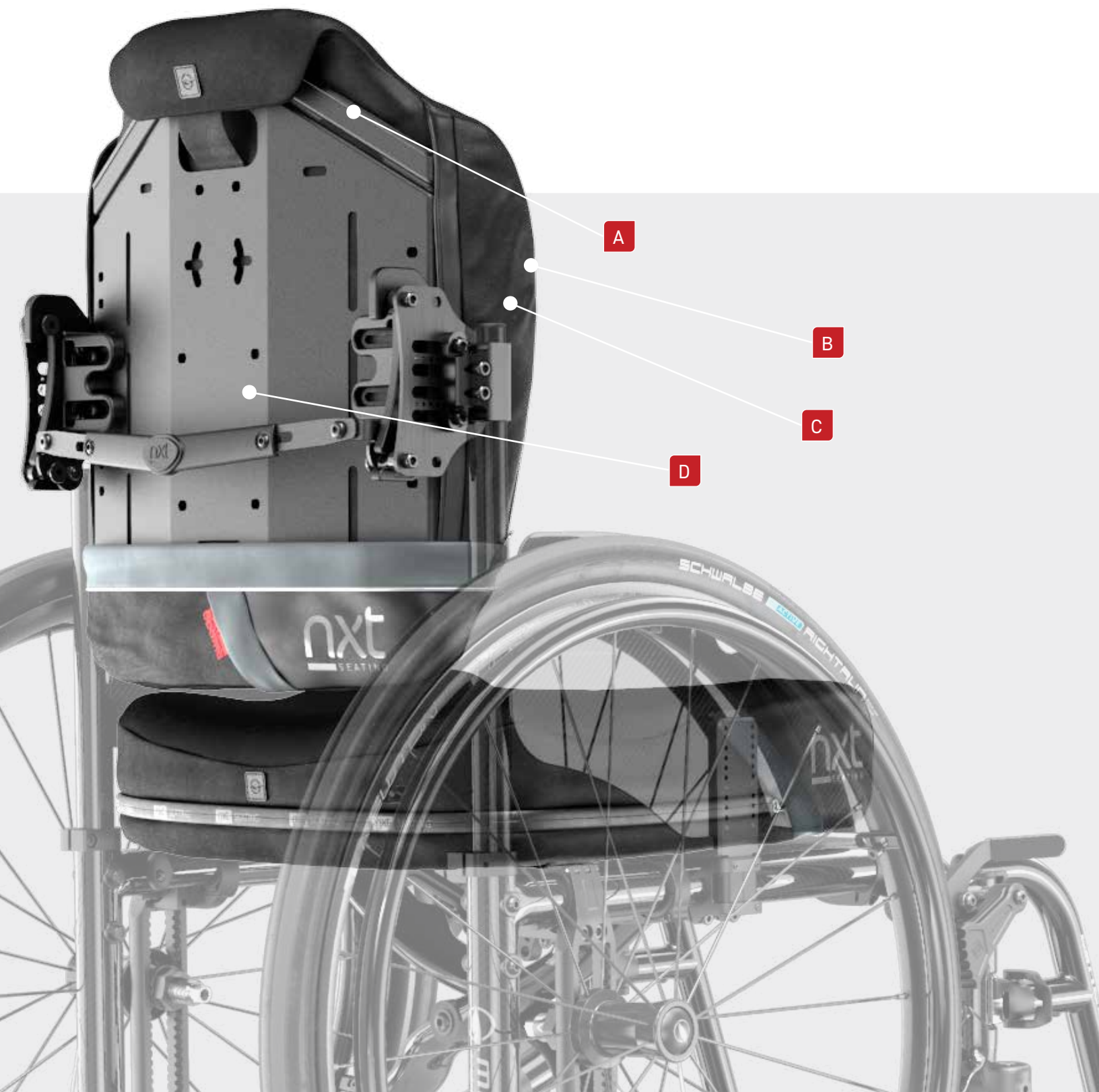
OVERVIEW

A Scapula cut-out shape for advanced freedom of movement.

B Optima is available in a Standard and DEEP lateral contour depth. The DEEP offers an adjustable depth of 5.5 in. to 7 in. (14 cm to 17.8 cm) for optimal mid-line support and positioning.

C Higher lateral contours, providing better support in the thoracic region while maintaining optimal pelvic positioning.

D Lightweight aluminum shell.

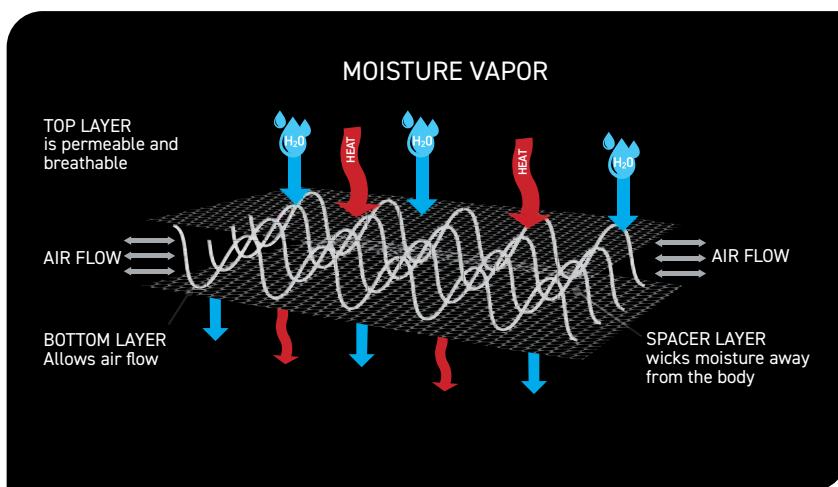


smartx3D

HAS REVOLUTIONIZED NXT WHEELCHAIR CUSHIONS AND BACK SUPPORTS

Our innovative smartx3D fabric offers unprecedented comfort and durability. This advanced fabric utilizes a three-layer technology that incorporates a unique air channel middle layer that draws heat and moisture away from the material. Soft, breathable, and with moisture-wicking properties, smartx3D offers the ultimate in comfort.

- Very soft and comfortable
- Antimicrobial
- Improves immersion/envelopment
- Reduces shear
- 20 times more air permeable than standard fabrics



FEATURES



THE ONE-HAND QUICK RELEASE

Allows the back support to be easily removed from the chair.



PELVIC POSITIONING CUT-OUT

Provides a space for the buttocks to protrude beyond the back for a better, more natural seated position.



smartGEL™ INFUSED VISCO TECHNOLOGY SMARTGEL™ INFUSED VISCO TECHNOLOGY

Reduces surface temperature, drawing heat away from skin providing superior comfort and softness.

OPTIMA

OPTIMA DEEP



WHAT IS INCLUDED

- Dual density foam back cushion includes smartGEL™ Infused Visco Technology
- smartx3D Antimicrobial polyester 4-way stretch cover (washable)
- Installation hardware – QuickFit Mounting System
- One-Hand Quick Release

ACCESSORIES & OPTIONS

- Lateral supports
- Head supports
- Replacement cover and foam

Technical Specifications

OPTIMA Specifications

Weight*	2.7 lb. (1.22 kg)
Height	9 in. to 19 in. (17.78 cm to 48.3 cm)
Width	13 in. to 29 in. (33.2 cm to 78.8 cm)
Contour depth	3 in. (7.6 cm)
Weight capacity	300 lb. (136.08 kg) 22 in. wide+: 400 lbs (181.44 kg) 23 in. wide+: 550 lbs (250 kg)**

* Weight based on 16" shell
** When using optional 4-point hardware

OPTIMA DEEP Specifications

Weight*	3.3 lb. (1.5 kg)
Height	9 in. to 19 in. (17.78 cm to 48.3 cm)
Width	13 in. to 29 in. (33.2 cm to 78.8 cm)
Contour depth	5.5 in. to 7 in. (14 cm to 18 cm)
Weight capacity	300 lb. (136.08 kg) 22 in. wide+: 400 lbs (181.44 kg) 23 in. wide+: 550 lbs (250 kg)**

* Weight based on 16 in. shell
** When using optional 4-point hardware

OPTIMA and OPTIMA DEEP Sizes

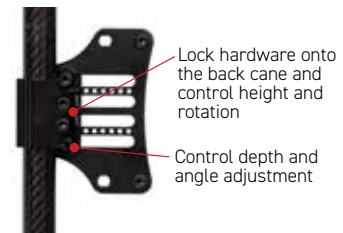
Width	Height	Fits wheelchair widths
13 in. (33.0 cm)	7, 9, 13 and 16 in. (17.7, 22.8, 33 and 40.6 cm)	13 in. to 15 in. (33.2 cm to 38.1 cm)
14 in. (35.6 cm)	7, 9, 13 and 16 in. (17.7, 22.8, 33 and 40.6 cm)	14 in. to 16 in. (35.6 cm to 40.6 cm)
15 in. (38.1 cm)	7, 9, 13 and 16 in. (17.7, 22.8, 33 and 40.6 cm)	15 in. to 17 in. (38.1 cm to 43.2 cm)
16 in. (40.6 cm)	7, 9, 13, 16 and 19 in. (17.7, 22.8, 33, 40.6 and 48.3 cm)	16 in. to 18 in. (40.6 cm to 45.7 cm)
17 in. (43.2 cm)	7, 9, 13, 16 and 19 in. (17.7, 22.8, 33, 40.6 and 48.3 cm)	17 in. to 19 in. (43.2 cm to 48.3 cm)
18 in. (45.7 cm)	7, 9, 13, 16 and 19 in. (17.7, 22.8, 33, 40.6 and 48.3 cm)	18 in. to 20 in. (45.7 cm to 50.8 cm)
19 in. (48.3 cm)	16 and 19 in. (40.6 and 48.3 cm)	19 in. to 21 in. (48.3 cm to 53.3 cm)
20 in. (50.8 cm)	7, 9, 13, 16 and 19 in. (17.7, 22.8, 33, 40.6 and 48.3 cm)	20 in. to 22 in. (50.8 cm to 55.9 cm)
21 in. (53.3 cm)	16 and 19 in. (40.6 and 48.3 cm)	21 in. to 23 in. (53.3 cm to 58.4 cm)
22 in. (55.9 cm)	13, 16 and 19 in. (33, 40.6 and 48.3 cm)	22 in. to 24 in. (55.9 cm to 61 cm)
23 in. (58.4 cm)	16 and 19 in. (40.6 and 48.3 cm)	23 in. to 25 in. (58.4 cm to 63.5 cm)
24 in. (61 cm)	16 and 19 in. (40.6 and 48.3 cm)	24 in. to 26 in. (61 cm to 66 cm)
25 in. (63.5 cm)	16 and 19 in. (40.6 and 48.3 cm)	25 in. to 27 in. (63.5 cm to 68.6 cm)
26 in. (66 cm)	16 and 19 in. (40.6 and 48.3 cm)	26 in. to 28 in. (66 cm to 71.1 cm)
27 in. (68.6 cm)	16 and 19 in. (40.6 and 48.3 cm)	27 in. to 29 in. (68.6 cm to 73.7 cm)
28 in. (71.1 cm)	16 and 19 in. (40.6 and 48.3 cm)	28 in. to 30 in. (71.1 cm to 76.2 cm)
29 in. (73.7 cm)	16 and 19 in. (40.6 and 48.3 cm)	29 in. to 31 in. (73.7 cm to 78.8 cm)

QuickFit™ Mounting System

Lets you quickly and easily adjust while your client is in the chair

- Reversible for increased depth range.
- 5 in. (12.7 cm) of depth adjustment, 2.5 in. (6.4 cm) in front or behind back canes.
- Easily expandable to allow the back support to fit on wider wheelchairs (up to 2 in. wider than the back).
- Install or remove clamps without taking them apart.
- Hardware is a discreet size and provides strength and rigidity to the back support.
- Adjustable for pelvic or trunk rotation.
- Fits metric & imperial tubing including, 0.75 in. to 1 in. (1.9 cm to 2.5 cm) back canes without shims.
- 25° fore/aft angle adjustment.

QuickFit Mounting System



Alternated Fixed Hardware



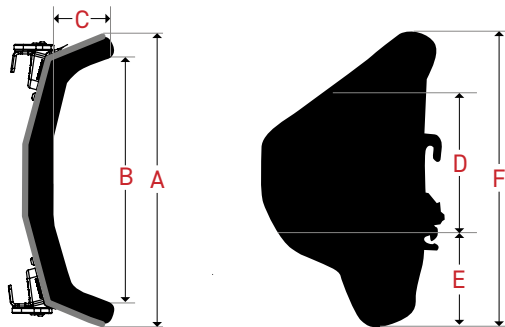
2-Point Fixed Hardware (NIB-1207)
Optional: Use only on back supports with 16" (40.6 cm) back height or lower.



2-Point Micro Mount (NIB-1642)
Use only on back supports with 13" (33 cm) back height or lower. Not width adjustable - fits one backchair width. (NIB-120642)



4-Point Fixed Hardware (NIB-1307)
Optional: Not width adjustable - fits one back/chair width.



Optima DEEP Back Dimensions – Inches (centimeters)

	13 x 7 (33 x 17.7)	13 x 9 (33 x 22.8)	13 x 13 (33 x 33)	13 x 16 (33 x 40.6)	14 x 7 (35.5 x 17.7)	14 x 9 (35.5 x 22.9)	14 x 13 (35.5 x 33)	14 x 16 (35.5 x 40.6)	15 x 7 (38.1 x 17.7)	15 x 9 (38.1 x 22.9)	15 x 13 (38.1 x 33)	15 x 16 (38.1 x 40.6)	16 x 7 (38.1 x 17.7)	
A	12 (30.4)				13 (33)				14 (35.5)				15 (38.1)	
B	10.25 (26)				11.25 (28.5)				12.25 (31.1)				13.25 (33.6)	
C	5.5 to 7 (13.9 to 17.7)				5.5 to 7 (13.9 to 17.7)				5.5 to 7 (13.9 to 17.7)				5.5 to 7 (13.9 to 17.7)	
D	5 (12.7)				5 (12.7)				5 (12.7)				5 (12.7)	
E	1 (2.5)				1 (2.5)	2 (5)	3 (7.6)	4 (10.1)	1 (2.5)	2 (5)	3 (7.6)	4 (10.1)	1 (2.5)	
F	7 (17.7)	9 (22.8)	13 (33)	16 (40.6)	7 (17.7)	9 (22.8)	13 (33)	16 (40.6)	7 (17.7)	9 (22.8)	13 (33)	16 (40.6)	7 (17.7)	
	16 x 9 (40.6 x 22.9)	16 x 13 (40.6 x 33)	16 x 16 (40.6 x 40.6)	16 x 19 (40.6 x 48.2)	17 x 7 (43.1 x 17.7)	17 x 9 (43.1 x 33)	17 x 13 (43.1 x 33)	17 x 16 (43.1 x 40.6)	17 x 19 (43.1 x 17.7)	18 x 7 (45.7 x 17.7)	18 x 9 (45.7 x 22.9)	18 x 13 (45.7 x 33)	18 x 16 (45.7 x 40.6)	
A	15 (38.1)				16 (40.6)				17 (43.1)					
B	13.2 (33.6)				14.2 (36.1)				15.2 (38.7)					
C	5.5 to 7 (13.9 to 17.7)				5.5 to 7 (13.9 to 17.7)				5.5 to 7 (13.9 to 17.7)					
D	5 (12.7)				5 (12.7)				6 (15.2)	6 (15.2)				
E	2 (5)	3 (7.6)	4 (10.1)	4.5 (11.4)	1 (2.5)	2 (5)	3 (7.6)	4 (10.1)	4.5 (11.4)	1 (2.5)	2 (5)	3 (7.6)	4 (10.1)	
F	9 (22.8)	13 (33)	16 (40.6)	19 (48.2)	7 (17.7)	9 (22.8)	13 (33)	16 (40.6)	19 (48.2)	7 (17.7)	9 (22.8)	13 (33)	16 (40.6)	
	18 x 19 (45.7 x 48.2)	19 x 16 (48.2 x 40.6)	19 x 19 (45.7 x 47.7)	20 x 7 (50.8 x 17.7)	20 x 9 (50.8 x 22.8)	20 x 13 (50.8 x 33)	20 x 16 (50.8 x 48.2)	20 x 19 (50.8 x 48.2)	21 x 16 (53.3 x 40.6)	21 x 19 (53.3 x 33)	22 x 13 (55.8 x 33)	22 x 16 (55.8 x 40.6)	22 x 19 (55.8 x 48.2)	
A	17 (43.1)	18 (45.7)		19 (48.2)				20 (50.8)		21 (53.3)				
B	15.25 (38.7)	16.25 (41.2)		17.25 (43.8)				18.25 (46.3)		19.25 (48.8)				
C	5.5 to 7 (13.9 to 17.7)				5.5 to 7 (13.9 to 17.7)				5.5 to 7 (13.9 to 17.7)		5.5 to 7 (13.9 to 17.7)			
D	6 (15.2)				6 (15.2)				6 (15.2)		6 (15.2)			
E	4.5 (11.4)	4 (10.1)	4.5 (11.4)	1 (2.5)	2 (5)	3 (7.6)	4 (10.1)	4.5 (11.4)	4 (10.1)	4.5 (11.4)	3 (7.6)	4 (10.1)	4.5 (11.4)	
F	19 (48.2)	16 (40.6)	19 (48.2)	7 (17.7)	9 (22.8)	13 (33)	16 (40.6)	19 (48.2)	16 (40.6)	19 (48.2)	13 (33)	16 (40.6)	19 (48.2)	
	23 x 16 (58.4 x 40.6)	23 x 19 (58.4 x 47.7)	24 x 16 (60.9 x 40.6)	24 x 19 (60.9 x 47.7)	25 x 16 (63.5 x 40.6)	25 x 19 (63.5 x 47.7)	26 x 16 (66 x 40.6)	26 x 19 (66 x 47.7)	27 x 16 (68.5 x 40.6)	27 x 19 (68.5 x 47.7)	28 x 16 (71.1 x 40.6)	28 x 19 (71.1 x 47.7)	29 x 16 (73.6 x 40.6)	29 x 19 (73.6 x 47.7)
A	22 (55.8)		23 (58.4)		24 (60.9)		25 (63.5)		26 (66)		27 (68.5)		28 (71.1)	
B	20.25 (51.4)		21.25 (53.9)		22.25 (56.5)		23.25 (59)		24.25 (61.59)		25.25 (64.1)		26.25 (66.6)	
C	5.5 to 7 (13.9 to 17.7)		5.5 to 7 (13.9 to 17.7)		5.5 to 7 (13.9 to 17.7)		5.5 to 7 (13.9 to 17.7)		5.5 to 7 (13.9 to 17.7)		5.5 to 7 (13.9 to 17.7)		5.5 to 7 (13.9 to 17.7)	
D	5 (12.7)		5 (12.7)		5 (12.7)		5 (12.7)		5 (12.7)		5 (12.7)		5 (12.7)	
E	4 (10.1)	4.5 (11.4)	4 (10.1)	4.5 (11.4)	4 (10.1)	4.5 (11.4)	4 (10.1)	4.5 (11.4)	4 (10.1)	4.5 (11.4)	4 (10.1)	4.5 (11.4)	4 (10.1)	4.5 (11.4)
F	16 (40.6)	19 (48.2)	16 (40.6)	19 (48.2)	16 (40.6)	19 (48.2)	16 (40.6)	19 (48.2)	16 (40.6)	19 (48.2)	16 (40.6)	19 (48.2)	16 (40.6)	19 (48.2)

Specs Sheet-NXT-Optima_26-01-2026



NXT Seating is a brand of Motion Composites

motioncomposites.com
T 1 (866) 650-6555 | F 1 (888) 966-6555