



TRAKZ-AP ORDER FORM

EFFECTIVE MAY 2026 (CDN MSRP)

Date: _____

Dealer / Location: _____ T: _____ F: _____

PO# / Client: _____ Contact: _____ Email: _____

Trakz Tub Sliders consist of three major components:

Mobile Base – Include height-adjustable aluminum frame, soft contoured seat cushion, molded vinyl back upholstery, swing-away removable padded arm supports, foot supports, four dual-locking 5” casters and commode pan.

Tub Base – Includes a toolless, height-adjustable aluminum frame with horizontal stabilizers.

Bridge – The patented Zbrilok safety system prevents unintentional seat release from either base.

Zbrilok™

The patented latching safety system, **Zbrilok**, ensures that the sliding seat assembly cannot be moved onto the bridge, from either the tub base or mobile base, unless the bridge is fully locked to both bases. This prevents the seat assembly from being released inadvertently and potentially causing injury to the client. The Raz Trakz is the only tub slider that has this safety feature.

1. Models: (NOTE: must select either T188 AND T1BASE / T1BASEV)

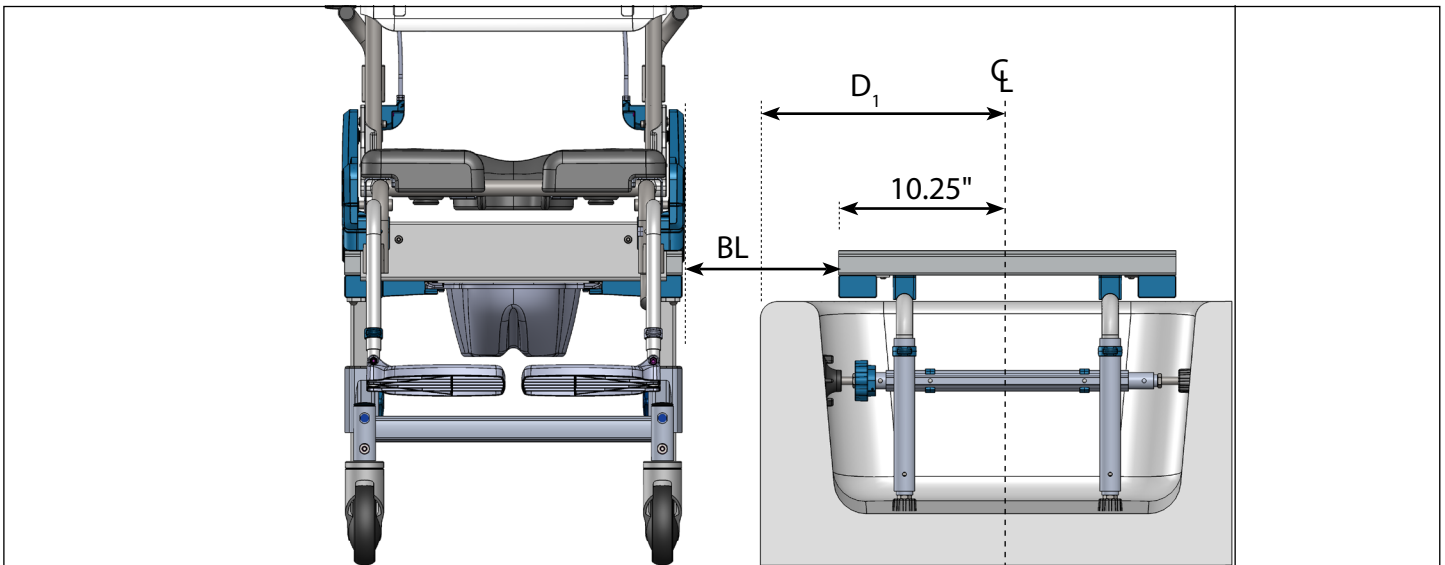
T188	Trakz-AP (Attendant Propel) Non-Tilting Tub Slider Mobile Base	\$3,010
T1BASEH	Tub Base for Trakz-AP includes adjustable-height frame and horizontal stabilizers (without tools)	\$2,700
T1BASEV	Tub Base for Trakz-AP with Vertical Stabilizers (Tub Base for Step-in Shower)	\$2,700

2. Seats:

Molded Seats		
TSST	18" W x 17" D - Standard Seat for Trakz - Front Open	Standard

3. Bridge Lengths (See next page for codes and prices)

Bridge Length without toilet interference



Calculated Bridge Length (CBL) – without toilet bowl interference

Minimum CBL = $D_1 + 2'' - 10.25''$

Example: If $D_1 = 15''$

Minimum CBL = $15 + 2'' - 10.25'' = 6.75''$

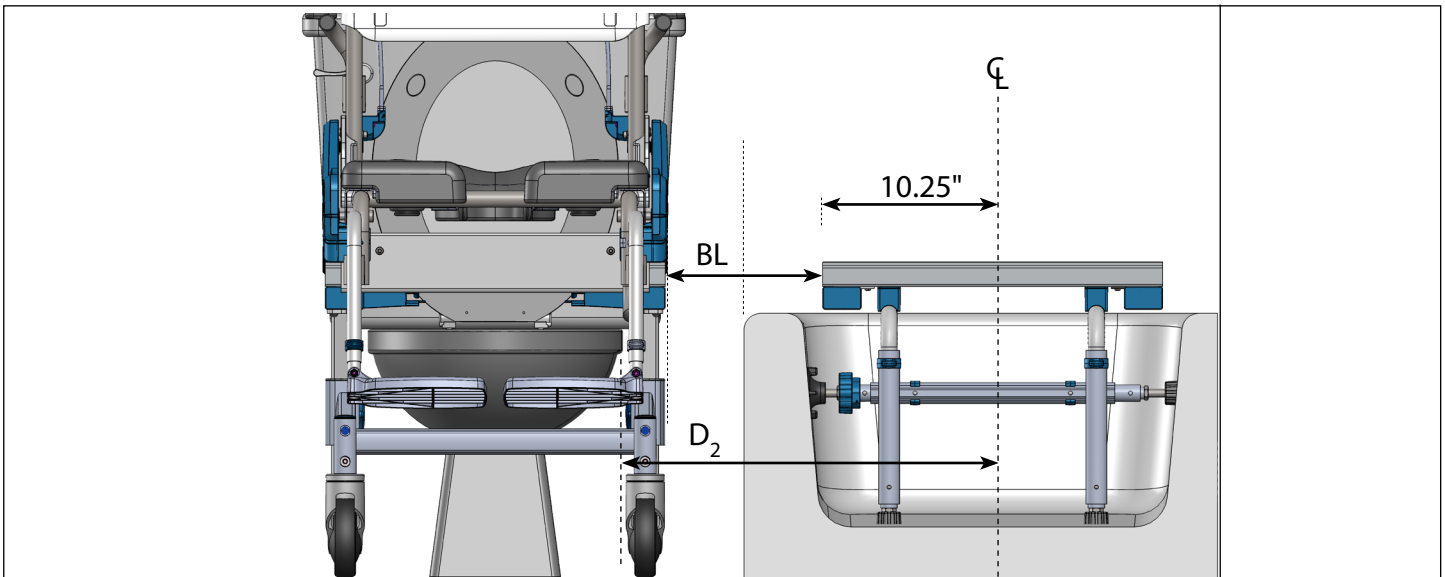
Select: TBL07 Bridge length – 7'' or longer

D_1 = Distance between center of tub and outside of tub wall

10.25" = Half the width of the tub base

BL = Bridge Length (round up to the nearest available size [See Sec 2 - previous page])

Bridge Length with toilet interference



Calculated Bridge Length (CBL) – with toilet bowl interference

Minimum CBL = $D_2 - 10.25'' - 3.5''$

Example: If $D_2 = 25''$

CBL = $25'' - 10.25'' - 3.5''$

CBL = 11.25''

Select: TBL11 Bridge length – 11.5''

BL = Bridge length (round up to the nearest available size [See Sec 2 - previous page])

D_2 = Distance between center of tub and near side of toilet bowl

4. Bridge Lengths (Continued)

TBL07	Bridge – 7" length	\$510
TBL08	Bridge – 8" length	\$510
TBL09	Bridge – 9.5" length	\$510
TBL10	Bridge – 10" length	\$510
TBL12	Bridge – 12" length	\$510
TBL14	Bridge – 14" length	\$510
TBL16	Bridge – 16" length	\$510
TBLC	Bridge – Custom length Enter length required _____"	\$860

5. Trakz Back Support Options

The standard Trakz back support includes 18" W molded, vinyl upholstery, wrap-around and removable padded arm supports.

TFB1820	Fixed Back with molded vinyl upholstery – 18"W x 20"H	Standard
TFBU1820	Fixed Back with Tension-Adjustable Upholstery – 18"W x 20"H	\$205
TFBSB1820	Fixed Back with Symphony Back – 18"W x 20"H	\$330

6. Arm Supports – Wrap-around, swing-away, removable

ZASWL	Arm Supports (pr) Wraparound – Long	Standard
ZASWS	Arm Supports (pr) Wraparound – Short ¹	N/C
Arm Support Pads		
TZARMLL	Molded pad long 13" – Left (fits ZASWL)	Standard
TZARMLR	Molded pad long 13" – Right (fits ZASWL)	Standard
TZARMSL	Molded pad short 10" – Left (fits ZASWS)	N/C
TZARMSR	Molded pad short 10" – Right (fits ZASWS)	N/C
TZTAPLL	Tubular sleeve long long 13" – Left (in lieu of molded pads, fits ZASWL)	N/C
TZTAPLR	Tubular sleeve long 13" – Right (in lieu of molded pads, fits ZASWL)	N/C
TZTAPSL	Tubular sleeve short 10" – Left (in lieu of molded pads, fits ZASWS)	N/C
TZTAPSR	Tubular sleeve short 10" – Right (in lieu of molded pads, fits ZASWS)	N/C
TZFAPLL	Molded Flat Armpad Long 14" L x 3.25" W – Left (fits ZASWL)	\$95
TZFAPLR	Molded Flat Armpad Long 14" L x 3.25" W – Right (fits ZASWL)	\$95
TZFAPSL	Molded Flat Armpad Short 10" L x 3" W – Left (fits TARMs)	\$95
TZFAPSR	Molded Flat Armpad Short 10" L x 3" W – Right (fits TARMs)	\$95
TZTRSL	Arm Trough - Small Left (16" L x 4.25" W) ^{NEW}	\$125
TZTRSR	Arm Trough - Small Right (16" L x 4.25" W) ^{NEW}	\$125
TZTRML	Arm Trough - Medium Left (18.5" L x 5" W)	\$125
ZTRMR	Arm Trough - Medium Right (18.5" L x 5" W)	\$125
ZTRSL	Arm Trough - Large Left (21" L x 5.25" W) ^{NEW}	\$125
ZTRSR	Arm Trough - Large Right (21" L x 5.25" W) ^{NEW}	\$125
TZPAML	Pivoting Arm Mount ² – Left (for ZFAPLL / ZFAPLR / ZTRSL / ZTRML / ZTRLL)	\$190
TZPAMR	Pivoting Arm Mount ² – Right (for ZFAPLR / ZFAPLR / ZTRSR / ZTRMR / ZTRLR)	\$190
TZAPSB18	Anterior Posture Support Bar (for ZARM only)	\$255

¹ Not compatible with ZPAM / ZFAPL / ZFAPS / ZTRM / ZTRL

² Recommended when Lateral Thoracic Support (ZTLS) and Molded Arm Throughs (ZTR) are both ordered.

7. Foot / Leg Supports and Accessories

TZFSL	Foot Support – Left 16" – 20.5" (For Trakz-AP ZFSHDL is used instead of ZFSL)	Standard
TZFSR	Foot Support – Right 16" – 20.5" (For Trakz-AP ZFSHDR is used instead of ZFSR)	Standard
TZFET2L	Footrest Extension Tubes ¹ 2" longer – Left (for ZFSL)	\$35
ZTFET2R	Footrest Extension Tubes ¹ 2" longer – Right (for ZFSR)	\$35
TZMFX8L	MFx8 Foot Support – Left 8" – 12"	\$60
TZMFX8R	MFx8 Foot Support – Right 8" – 12"	\$60
TZMFX12L	MFx12 Foot Supports – Left 12" – 16.5"	\$60
TZMFX12R	MFx12 Foot Supports – Right 12" – 16.5"	\$60
TZADML	Adj Angle/Depth Molded Footplates ² – Left (for ZFSL / ZMFX12L)	\$115
TZADMR	Adj Angle/Depth Molded Footplates ² – Right (for ZFSR / ZMFX12R)	\$115
TZFET2AL	Footrest Extension Tubes 5cm longer – Left (for ZADML)	\$35
TZFET2AR	Footrest Extension Tubes 5cm longer – Right (for ZADMR)	\$35
TZELRL	Elevating Leg Support – Left (includes ZADML)	\$570
TZELRR	Elevating Leg Support – Right (includes ZADMR)	\$570
ZTRLSL	Universal Residual Limb Support – Left	\$220
TZRLSR	Universal Residual Limb Support – Right	\$220
TZCS18	Calf Strap, Snap-On – Bodypoint Aeromesh	\$155
TZCSIC18	Calf Strap, Snap-On – Infection Control	\$165
TZHS1820	H-Strap – hook and loop attachment	\$105
TZ AHL	Adjustable Heel Loops (pr)	\$75
TZNC	Neoprene Cover for Standard Footplate (Each)	\$55
TZNCA	Neoprene Cover for Angle/Depth Adjustable Footplates (Each)	\$55

¹ Not compatible with ZMFX8
² Not compatible with ZMFX8 / ZVS

8. Positioning Pads

Head Supports		
THSP1	Head Support Pad for T388 – Small (10" x 4")	Standard
THSP2	Head Support Pad for T388 – Large (12" x 6")	\$60
Lateral Thoracic Supports – Pads on Lateral Thoracic Supports can be adjusted medially up to 3" per side. For up to 4.25" medial offset, select ZLAEP extension plate.		
TZLTSWA1L	Lateral Thoracic Support for Wraparound Arm w/ Small Pad – Left	\$380
TZLTSWA1R	Lateral Thoracic Support for Wraparound Arm w/ Small Pad – Right	\$380
TZLTSWA2L	Lateral Thoracic Support for Wraparound Arm w/ Large Pad – Left	\$380
TZLTSWA2R	Lateral Thoracic Support for Wraparound Arm w/ Large Pad – Right	\$380
Extension Plates for Lateral Thoracic Supports These plates allow for an additional 4cm medially and can be used with Lateral Thoracic Supports		
TZLAEPL	Lateral Extension Plate – Left	\$30
TZLAEPR	Lateral Extension Plate – Right	\$30

9. Pelvic and Chest Belts – A CHEST BELT MUST NEVER BE USED WITHOUT A PELVIC BELT!

Pelvic Belts			Chest Belts		
TZPBM	Pelvic Belt – Medium (2-piece w/ side-release buckle)	\$65	TZCBM	Chest Belt ² – Medium (1-piece w/ hook and loop closure)	\$45
TZPBL	Pelvic Belt – Large (2-piece w/ side-release buckle)	\$60	TZCBL	Chest Belt ² – Large (1-piece w/ hook and loop closure)	\$60
TZPBICM	Infection Control Pelvic Belt ¹ – Medium (2-piece w/ side-release buckle)	\$110	TZCBICM	Infection Control Chest Belt ^{1,2} – Medium (1-piece w/ side-release buckle)	\$90
TZPBICL	Infection Control Pelvic Belt ¹ – Large (2-piece w/ side-release buckle)	\$110	TZCBICL	Infection Control Chest Belt ^{1,2} – Large (1-piece w/ side-release buckle)	\$100
TZPBIBM	Pelvic Belt – Bodypoint Aeromesh – Med	\$295	TZCBBPM	Chest Belt – Bodypoint Aeromesh – Med	\$310
TZPBIBL	Pelvic Belt – Bodypoint Aeromesh – Large	\$295	TZCBBPL	Chest Belt – Bodypoint Aeromesh – Large	\$310

¹ Non-absorbent belts – recommended for infection-control environments
² Optional tension-Adjustable Upholstery includes loops to retain a chest belt (ZCBM / ZCBL). When the chair is supplied with a Symphony Back, Chest Belt loops are provided.

10. Other

ZIHW	Whizard – winged urine deflector – Has patented lateral wings that are positioned under the medial aspect of the thighs to keep the Whizard in place.	\$80
ZSS	SplaShield – Molded urine deflector (must be held in place during use)	\$170
ZSCSI	Slide-In Splash Curtain – Vinyl curtain, slides into commode pan brackets	\$390

11. Credits and Omissions

Z905	Omit Commode Pan and Mounting Brackets	-\$20
Z907	Omit Foot Supports – if no other Foot / Leg Support Option is selected	-\$45

Some assembly of Raz products is required.

12. Notes:

Specifications

Trakz-AP Attendant Propel

Weight Capacity	160kg
Overall Width	22.83"
– with arm supports	
– without arm supports	
Overall Length with standard footrests	35.5"
Tilt Range	N / A
Back Support Height	20"
Bridge Length	9.5", 12.5", 16.5" + custom lengths
Underside of Bridge to Top of Seat	6.25"
Underside of Bridge to Floor	
– high base configuration	15" – 19" in 1" (2.54cm) increments
– low base configuration	10" – 14" in 1" (2.54cm) increments
Seat Width	18"
Seat Depth	17"
Clearance Height Under Seat	
– high base configuration	16.25" – 20.25" in 1" increments*
– low base configuration	11.25" – 15".25 in 1" increments*
* without brackets +0.75"	
Arm Support Height Above Seat	10"
Seat-to-Floor Height	
– high base configuration	22" – 25" in 1" increments
– low base configuration	17" – 21" in 1" increments
Product Weight	35kg
Frame Materials	
– mobile base frame	Aluminum
– tub base frame	Aluminum
– bridge	Aluminum
– back frame and footrests	Stainless Steel
– hardware	Stainless Steel