



# TRAKZ-AT ORDER FORM

EFFECTIVE MAY 2026 (CDN MSRP)

Date: \_\_\_\_\_

Dealer / Location: \_\_\_\_\_ T: \_\_\_\_\_ F: \_\_\_\_\_

PO# / Client: \_\_\_\_\_ Contact: \_\_\_\_\_ Email: \_\_\_\_\_

Trakz Tub Sliders consist of three major components:

**Mobile Base** – Include height-adjustable aluminum frame, soft contoured seat cushion, molded vinyl back upholstery, swing-away removable padded arm supports, foot supports, four dual-locking 5" casters and commode pan. The Trakz-AT Mobile Base also includes a rotational tilt system with a range of 0° to 35° and a head support.

**Tub Base** – Includes a toolless, height-adjustable aluminum frame with horizontal stabilizers.

**Bridge** – The patented Zbrilok safety system prevents unintentional seat release from either base.

## Zbrilok™

The patented latching safety system, Zbrilok, ensures that the sliding seat assembly cannot be moved onto the bridge, from either the tub base or mobile base, unless the bridge is fully locked to both bases. This prevents the seat assembly from being released inadvertently and potentially causing injury to the client. The Raz Trakz is the only tub slider that has this safety feature.

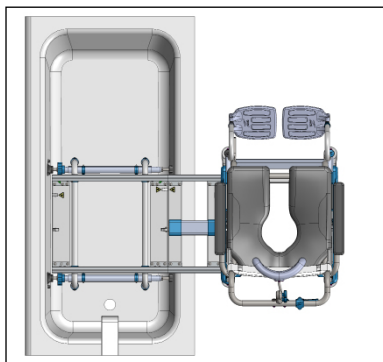
### 1. Models: (NOTE: must select either T388 AND T3BASE / T3BASEV)

|         |   |         |
|---------|---|---------|
| T388    | Trakz-AT (Attendant Tilt) Tilting Tub Slider Mobile Base with 35° of rotational tilt              | \$4,290 |
| T3BASEH | Tub Base for Trakz-AT includes adjustable-height frame and horizontal stabilizers (without tools) | \$2,700 |
| T3BASEV | Tub Base for Trakz-AT with Vertical Stabilizers (Tub Base for Step-in Shower)                     | \$2,700 |

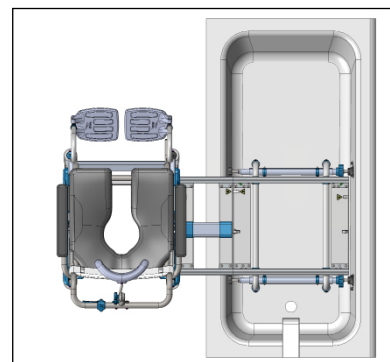
### 2. Slide Orientation: (For Trakz-AT only) Must select one

|      |                           |     |
|------|---------------------------|-----|
| TSOL | Slide Orientation - Left  | N/C |
| TSOR | Slide Orientation - Right | N/C |

Changing a Trakz-AT from right to left or left to right is easy. The tilt triggers are the only components that need to be relocated.



Slide Orientation – Left



Slide Orientation – Right

### 3. Seats:

|  |  |          |
|--|--|----------|
| <b>Molded Seats</b>  |  |          |
| TSST   | 18"W x 17"D - Standard Seat for Trakz - Front Open | Standard |
| <b>Visco-Foam Interface Seats (Increases the seat-to-floor height by 1.5") Only available for Trakz-AT</b> |  |          |
| TVFI17FRO  | 18"W x 17"D – Front Access                         | \$480    |
| TVFI17BRI  | 18"W x 17"D – Front Bridged                        | \$480    |
| TVFI17RRO  | 18"W x 17"D – Rear Access                          | \$480    |
| TVFI20FRO  | 18"W x 20"D – Front Access                         | \$550    |
| TVFI20BRI  | 18"W x 20"D – Front Bridged                        | \$550    |
| TVFI20RRO  | 18"W x 20"D – Rear Access                          | \$550    |

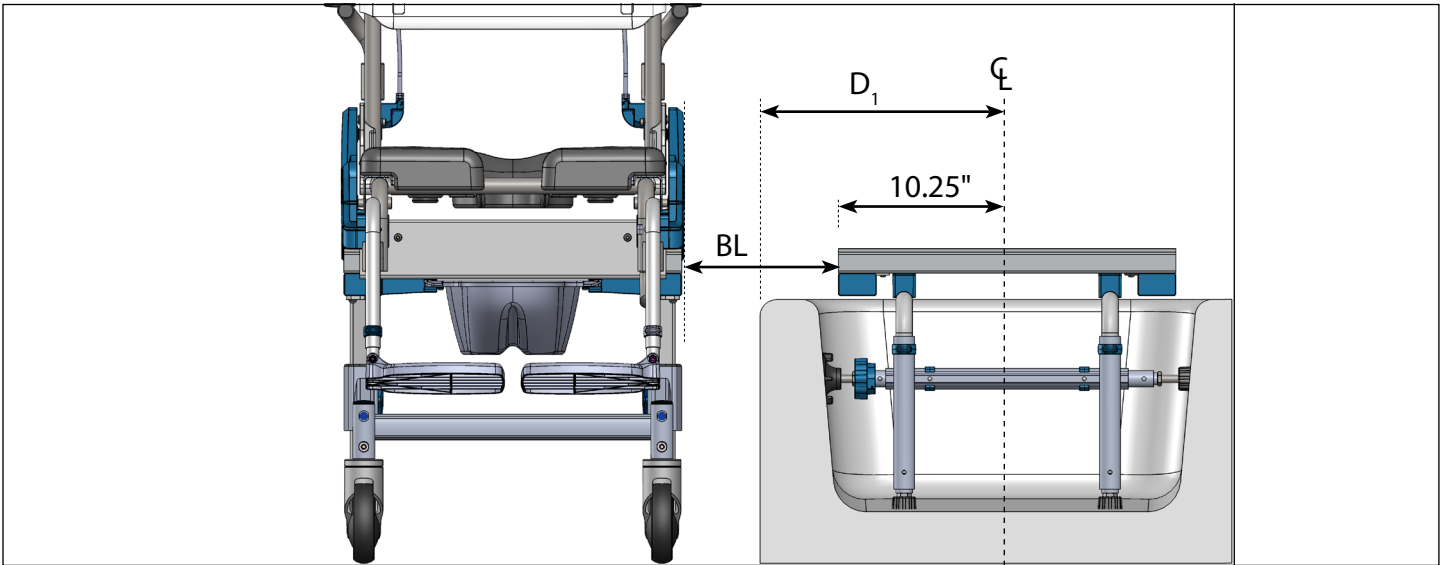


Motion Composites is the exclusive Canadian Distributor of RAZ DESIGN INC.

motioncomposites.com

#### 4. Bridge Lengths (See next page for codes and prices)

##### Bridge Length without toilet interference



Calculated Bridge Length (CBL) – without toilet bowl interference

$$\text{Minimum CBL} = D_1 + 2'' - 10.25''$$

Example: If  $D_1 = 15''$

$$\text{Minimum CBL} = 15 + 2'' - 10.25'' = 6.75''$$

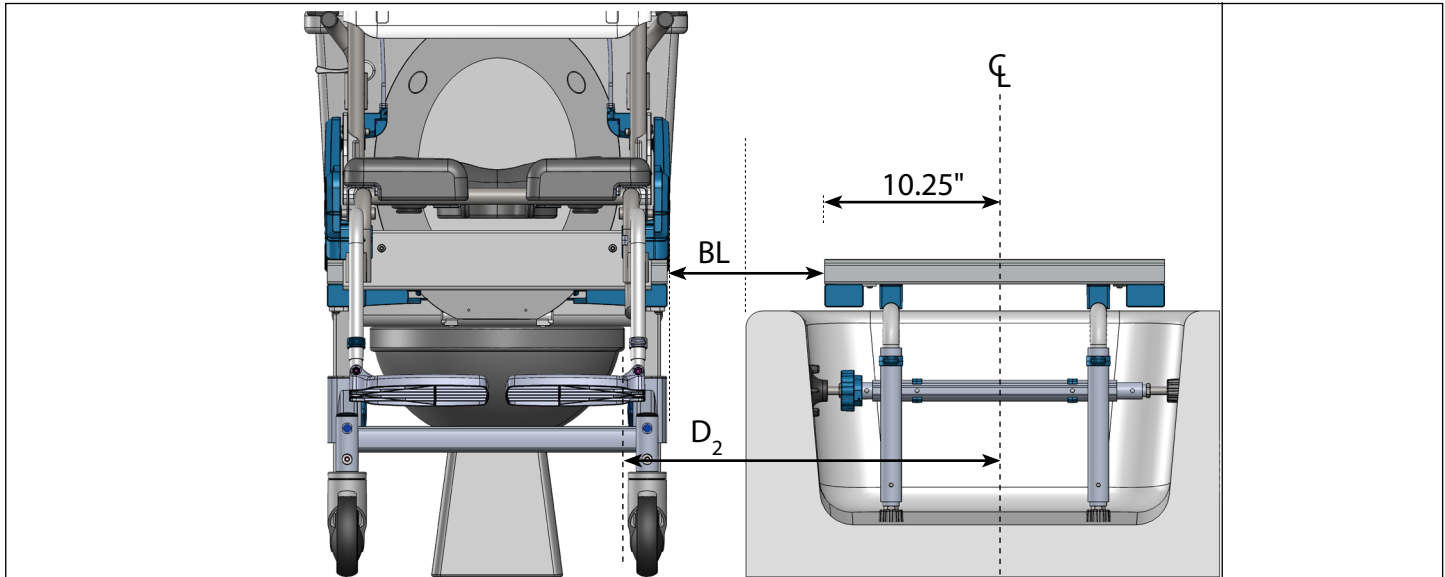
Select: TBL07 Bridge length – 7'' or longer

$D_1$  = Distance between center of tub and outside of tub wall

10.25'' = Half the width of the tub base

BL = Bridge Length (round up to the nearest available size [See Sec 2 - previous page])

##### Bridge Length with toilet interference



Calculated Bridge Length (CBL) – with toilet bowl interference

$$\text{Minimum CBL} = D_2 - 10.25'' - 3.5''$$

Example: If  $D_2 = 25''$

$$\text{CBL} = 25'' - 10.25'' - 3.5''$$

$$\text{CBL} = 11.25''$$

Select: TBL11 Bridge length – 11.5''

BL = Bridge Length (round up to the nearest available size) [See Sec 2 - previous page]

$D_2$  = Distance between center of tub and near side of toilet bowl

#### 4. Bridge Lengths (Continued)

|       |  |       |
|-------|--|-------|
| TBL07 | Bridge – 7" length                                     | \$510 |
| TBL08 | Bridge – 8" length                                     | \$510 |
| TBL09 | Bridge – 9.5" length                                   | \$510 |
| TBL10 | Bridge – 10" length                                    | \$510 |
| TBL12 | Bridge – 12" length                                    | \$510 |
| TBL14 | Bridge – 14" length                                    | \$510 |
| TBL16 | Bridge – 16" length                                    | \$510 |
| TBLC  | Bridge – Custom length    Enter length required _____" | \$860 |

#### 5. Trakz Back Support Options

The standard Trakz back support includes 46cm W molded, vinyl upholstery, wrap-around and removable padded arm supports.

|           |   |          |
|-----------|---|----------|
| TFB1820   | Fixed Back with molded vinyl upholstery – 46cm W x 51cm H       | Standard |
| TFBU1820  | Fixed Back with Tension-Adjustable Upholstery – 46cm W x 51cm H | \$205    |
| TFBSB1820 | Fixed Back with Symphony Back – 46cm W x 51cm H                 | \$330    |

#### 6. Arm Supports – Wrap-around, swing-away, removable

|                         |   |          |
|-------------------------|---|----------|
| TZASWL                  | Arm Supports (pr) Wraparound – Long   | Standard |
| TZASWS                  | Arm Supports (pr) Wraparound – Short <sup>1</sup>                                     | N/C      |
| <b>Arm Support Pads</b> |   |          |
| TZARMLL                 | Molded pad long 33cm – Left (fits ZASWL)  | Standard |
| TZARMLR                 | Molded pad long 33cm – Right (fits ZASWL)   | Standard |
| TZARMSL                 | Molded pad short 25.2" – Left (fits ZASWS)  | N/C      |
| TZARMSR                 | Molded pad short 25.2" – Right (fits ZASWS)   | N/C      |
| TZTAPLL                 | Tubular sleeve long 33cm – Left (in lieu of molded pads, fits ZASWL)                  | N/C      |
| TZTAPLR                 | Tubular sleeve long 33cm – Right (in lieu of molded pads, fits ZASWL)                 | N/C      |
| TZTAPSL                 | Tubular sleeve short 25.2" – Left (in lieu of molded pads, fits ZASWS)                | N/C      |
| TZTAPSR                 | Tubular sleeve short 25.2" – Right (in lieu of molded pads, fits ZASWS)               | N/C      |
| TZFAPLL                 | Molded Flat Armpad Long 35.2" L x 8cm W – Left (fits ZASWL)                           | \$95     |
| TZFAPLR                 | Molded Flat Armpad Long 35.2" L x 8cm W – Right (fits ZASWL)                          | \$95     |
| TZFAPSL                 | Molded Flat Armpad Short 25.2" L x 7.2" W – Left (fits TARMS)                         | \$95     |
| TZFAPSR                 | Molded Flat Armpad Short 25.2" L x 7.2" W – Right (fits TARMS)                        | \$95     |
| TZTRSL                  | Arm Trough - Small Left (16" L x 11cm W) <sup>NEW</sup>                               | \$130    |
| TZTRSR                  | Arm Trough - Small Right (16" L x 11cm W) <sup>NEW</sup>                              | \$130    |
| TZTRML                  | Arm Trough - Medium Left (47cm L x 12.2" W)   | \$130    |
| TZTRMR                  | Arm Trough - Medium Right (47cm L x 12.2" W)  | \$130    |
| TZTRSL                  | Arm Trough - Large Left (53.2" L x 13cm W) <sup>NEW</sup>                             | \$130    |
| TZTRSR                  | Arm Trough - Large Right (53.2" L x 5.13cmW) <sup>NEW</sup>                           | \$130    |
| TZPAML                  | Pivoting Arm Mount <sup>2</sup> – Left (for ZFAPLL / ZFAPLR / ZTRSL / ZTRML / ZTRLL)  | \$190    |
| TZPAMR                  | Pivoting Arm Mount <sup>2</sup> – Right (for ZFAPLR / ZFAPLR / ZTRSR / ZTRMR / ZTRLR) | \$190    |
| TZAPSB18                | Anterior Posture Support Bar (for ZARM only)  | \$255    |

<sup>1</sup> Not compatible with ZPAM / ZFAPL / ZFAPS / ZTRM / ZTRL

<sup>2</sup> Recommended when Lateral Thoracic Support (ZTLS) and Molded Arm Throughs (ZTR) are both ordered.

## 7. Foot / Leg Supports and Accessories

|          |   |          |
|----------|---|----------|
| TZFSL    | Foot Support – Left 16" - 20.5" (For Trakz-AP ZFSHDL is used instead of ZFSL) | Standard |
| TZFSR    | Foot Support – Right 16" -20.5" (For Trakz-AP ZFSHDR is used instead of ZFSR) | Standard |
| TZFET2L  | Footrest Extension Tubes <sup>1</sup> 2" longer – Left (for ZFSL)             | \$35     |
| TZFET2R  | Footrest Extension Tubes <sup>1</sup> 2" longer – Right (for ZFSR)            | \$35     |
| TZMFX8L  | MFX8 Foot Support – Left 8"- 12"  | \$60     |
| TZMFX8R  | MFX8 Foot Support – Right 8"- 12"   | \$60     |
| TZMFX12L | MFX12 Foot Supports – Left 12" - 16.5"  | \$60     |
| TZMFX12R | MFX12 Foot Supports – Right 12" -16.5"  | \$60     |
| TZADML   | Adj Angle/Depth Molded Footplates <sup>2</sup> – Left (for ZFSL / ZMFX12L)    | \$115    |
| TZADMR   | Adj Angle/Depth Molded Footplates <sup>2</sup> – Right (for ZFSR / ZMFX12R)   | \$115    |
| TZFET2AL | Footrest Extension Tubes 2" longer – Left (for ZADML)                         | \$35     |
| TZFET2AR | Footrest Extension Tubes 2" longer – Right (for ZADMR)                        | \$35     |
| TZELRL   | Elevating Leg Support – Left (includes ZADML)                                 | \$570    |
| TZELRR   | Elevating Leg Support – Right (includes ZADMR)                                | \$570    |
| TZRLSL   | Universal Residual Limb Support – Left  | \$220    |
| TZRLSR   | Universal Residual Limb Support – Right                                       | \$220    |
| TZCS18   | Calf Strap, Snap-On – Bodypoint Aeromesh                                      | \$155    |
| TZCSIC18 | Calf Strap, Snap-On – Infection Control                                       | \$165    |
| TZHS1820 | H-Strap – hook and loop attachment  | \$105    |
| TZ AHL   | Adjustable Heel Loops (pr)  | \$75     |
| TZNC     | Neoprene Cover for Standard Footplate (Each)                                  | \$55     |
| TZNCA    | Neoprene Cover for Angle/Depth Adjustable Footplates (Each)                   | \$55     |

<sup>1</sup> Not compatible with ZMFX8  
<sup>2</sup> Not compatible with ZMFX8 / ZVS

## 8. Positioning Pads

|  |  |          |
|--|--|----------|
| <b>Head Supports</b>   |  |          |
| THSP1  | Head Support Pad for T388 – Small (10" x 4")                     | Standard |
| THSP2  | Head Support Pad for T388 – Large (12" x 6")                     | \$60     |
| <b>Lateral Thoracic Supports</b> – Pads on Lateral Thoracic Supports can be adjusted medially up to 3" per side. For up to 4.5" medial offset, select ZLAEP extension plate. |  |          |
| TZLTSWA1L  | Lateral Thoracic Support for Wraparound Arm w/ Small Pad – Left  | \$380    |
| TZLTSWA1R  | Lateral Thoracic Support for Wraparound Arm w/ Small Pad – Right | \$380    |
| TZLTSWA2L  | Lateral Thoracic Support for Wraparound Arm w/ Large Pad – Left  | \$380    |
| TZLTSWA2R  | Lateral Thoracic Support for Wraparound Arm w/ Large Pad – Right | \$380    |
| <b>Extension Plates for Lateral Thoracic Supports</b><br>These plates allow for an additional 1.5" medially and can be used with Lateral Thoracic Supports                   |  |          |
| TZLAEPL  | Lateral Extension Plate – Left                                   | \$30     |
| TZLAEPR  | Lateral Extension Plate – Right                                  | \$30     |

**9. Pelvic and Chest Belts – A CHEST BELT MUST NEVER BE USED WITHOUT A PELVIC BELT!**

| Pelvic Belts |  |       | Chest Belts |   |       |
|--------------|--|-------|-------------|---|-------|
| TZPBM        | Pelvic Belt – Medium (2-piece w/ side-release buckle)                                | \$65  | TZCBM       | Chest Belt <sup>2</sup> – Medium (1-piece w/ hook and loop closure)                   | \$45  |
| TZPBL        | Pelvic Belt – Large (2-piece w/ side-release buckle)                                 | \$60  | TZCBL       | Chest Belt <sup>2</sup> – Large (1-piece w/ hook and loop closure)                    | \$60  |
| TZPBICM      | Infection Control Pelvic Belt <sup>1</sup> – Medium (2-piece w/ side-release buckle) | \$110 | TZCBICM     | Infection Control Chest Belt <sup>1,2</sup> – Medium (1-piece w/ side-release buckle) | \$90  |
| TZPBICL      | Infection Control Pelvic Belt <sup>1</sup> – Large (2-piece w/ side-release buckle)  | \$110 | TZCBICL     | Infection Control Chest Belt <sup>1,2</sup> – Large (1-piece w/ side-release buckle)  | \$100 |
| TZPBBPM      | Pelvic Belt – Bodypoint Aeromesh – Med   | \$295 | TZCBBPM     | Chest Belt – Bodypoint Aeromesh – Med   | \$310 |
| TZPBBPL      | Pelvic Belt – Bodypoint Aeromesh – Large   | \$295 | TZCBBPL     | Chest Belt – Bodypoint Aeromesh – Large   | \$310 |

<sup>1</sup> Non-absorbent belts – recommended for infection-control environments

<sup>2</sup> Optional tension-Adjustable Upholstery includes loops to retain a chest belt (ZCBM / ZCBL). When the chair is supplied with a Symphony Back, Chest Belt loops are provided.

**10. Other**

|        |   |       |
|--------|---|-------|
| TZIHV  | Whizard – winged urine deflector – Has patented lateral wings that are positioned under the medial aspect of the thighs to keep the Whizard in place. | \$80  |
| TZSS   | SplaShield – Molded urine deflector (must be held in place during use)  | \$170 |
| TZSCSI | Slide-In Splash Curtain – Vinyl curtain, slides into commode pan brackets   | \$390 |

**11. Credits and Omissions**

|      |  |       |      |   |       |
|------|--|-------|------|---|-------|
| Z905 | Omit Commode Pan and Mounting Brackets                                 | -\$20 | Z911 | Omit Molded Head Support Pad (T388 only)        | -\$20 |
| Z907 | Omit Foot Supports – if no other Foot / Leg Support Option is selected | -\$45 | T912 | Omit Complete Head Support Assembly (T388 only) | -\$50 |

**Some assembly of Raz products is required.**

**12. Notes:**

|  |
|--|
|  |
|--|

## Specifications

## Trakz-AT Attendant Tilt

|   |                                     |
|---|-------------------------------------|
| <b>Weight Capacity</b>                        | 160kg                               |
| <b>Overall Width</b>                          | 23"                                 |
| – with arm supports                           |                                     |
| – without arm supports                        |                                     |
| <b>Overall Length with standard footrests</b> | 36"                                 |
| <b>Tilt Range</b>                             | 35°                                 |
| <b>Back Support Height</b>                    | 20"                                 |
| <b>Bridge Length</b>                          | 9.5", 12.5", 16.5" + custom lengths |
| <b>Underside of Bridge to Top of Seat</b>     | 8.25"                               |
| <b>Underside of Bridge to Floor</b>           |                                     |
| – high base configuration                     | 15" – 19" in 1" (2.54cm) increments |
| – low base configuration                      | 10" – 14" in 1" (2.54cm) increments |
| <b>Seat Width</b>                             | 18.5"                               |
| <b>Seat Depth</b>                             | 17"                                 |
| <b>Clearance Height Under Seat</b>            |                                     |
| – high base configuration                     | 16.25" – 20.25" in 1" increments*   |
| – low base configuration                      | 11.25" – 15".25 in 1" increments*   |
| * without brackets +2cm                       |                                     |
| <b>Arm Support Height Above Seat</b>          | 25.2"                               |
| <b>Seat-to-Floor Height</b>                   |                                     |
| – high base configuration                     | 24.5" – 27.5" in 1" increments      |
| – low base configuration                      | 19.5" – 23.5" in 1" increments      |
| <b>Product Weight</b>                         | 43kg                                |
| <b>Frame Materials</b>                        |                                     |
| – mobile base frame                           | Aluminum                            |
| – tub base frame                              | Aluminum                            |
| – bridge                                      | Aluminum                            |
| – back frame and footrests                    | Stainless Steel                     |
| – hardware                                    | Stainless Steel                     |