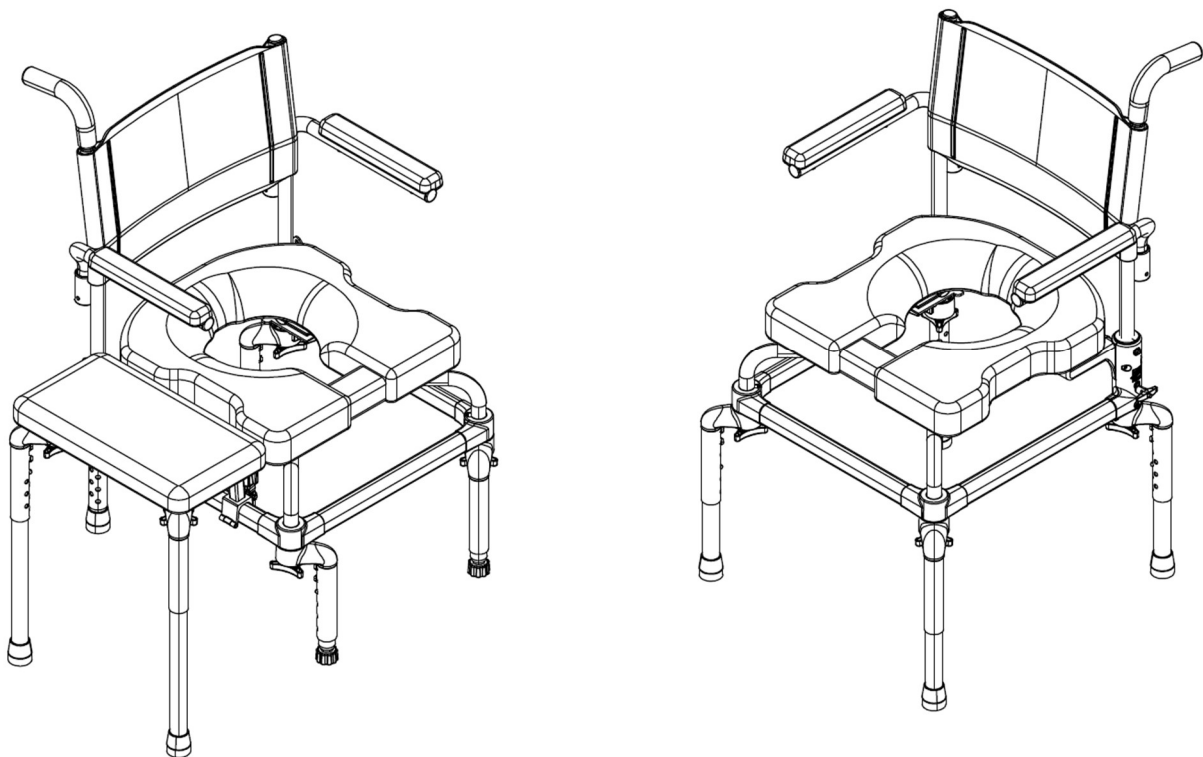




# Bath / Shower / Commode Chair

# Raze

## User and Dealer Manual



EC REP	Advena Ltd. Tower Business Center 2nd Flr, Tower Street Swatar, BKR 4013 Malta
UKRP	Advena Ltd. Pure Offices, Plato Close Warwick, CV34 6WE UK
CH REP	Senectovia Medizinaltechnik AG In der Luberzen 1, 8902 Urdorf, Switzerland



BASIC UDI-DI:  
628758RAZEDESIGNINC2004V9

# SAFETY PRECAUTIONS

## Failure to comply may cause injury or damage!

It is important that the Raze be properly assembled and that all adjustments be made carefully. Please ensure that the user(s), dealer(s), and attendant(s) have read this manual and thoroughly understood the safe operation of the Raze. Up-to-date manuals are available online at [www.razdesigninc.com](http://www.razdesigninc.com). For clarification of any section of this manual, contact your distributor or the manufacturer.



**MANUFACTURER**

Raz Design Inc.  
 135 Railside Rd. Toronto, ON, Canada, M3A 1B7  
 877.720.5678 / +1.416.751.5678  
[info@razdesigninc.com](mailto:info@razdesigninc.com)



CHAIR CLASSIFICATION BASED ON MAXIMUM USER WEIGHT	
Raze	160 kg (352 lbs)

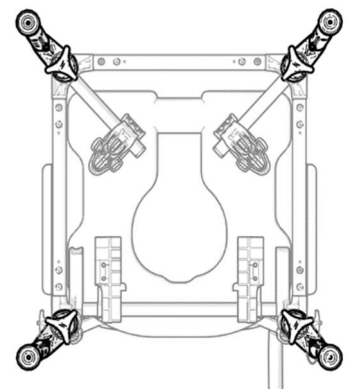
## SAFETY WARNINGS TO CONSIDER FOR RETAIL PURPOSES

**THIS DEVICE IS SUITABLE FOR TYPE A: HIGH USAGE (e.g. INSTITUTIONS) AND SHOULD NEVER BE USED FOR ANY PURPOSE OTHER THAN ORIGINALLY INTENDED**

**Stability**

The legs of the Raze are adjustable to a range of heights. The spring button must fully engage in the adjustment holes to lock the legs in place. **Make sure the Raze sits level.** When using the transfer surface, it must be securely locked onto the chair with the latch clamps. **Ensure that the transfer surface sits level.**

The legs can swivel to adjust the footprint of the Raze to accommodate both over-toilet and in-tub use. **The legs MUST be positioned at the maximum allowable footprint for optimal forward, rearward, and lateral stability.** Refer to the figures for respective leg positions to achieve maximum stability.



**LEG POSITIONS SHOWN IN OPTIMAL STABILITY**

### Lateral Stability

**USERS MUST NOT** lean over the edge of the Raze as this could cause the chair to tip.

**USERS MUST NOT** attempt to pick up objects from the floor by leaning over and reaching – a reacher or assistance from others should be employed.

**USERS MUST NOT** position the Raze on a side slope, without a stability test, as this could cause it to tip.

### Forward Stability

**USERS MUST NOT** lean forward while sitting in the Raze as this may cause the chair to tip forward.

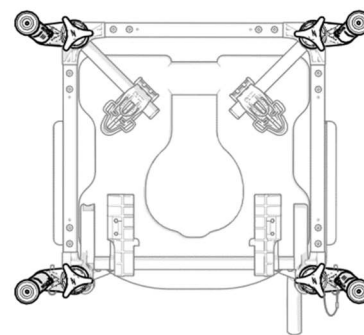
**USERS MUST NOT** sit on the front edge of the Raze, as this may cause the chair to tip forward.

### Rearward Stability

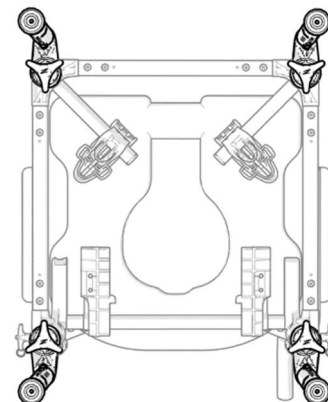
**USERS MUST NOT** hang heavy objects on the push handle while transferring onto the Raze as this may cause the chair to tip rearward.

### Use with a Tub

**USER MUST** attach the transfer surface when using in a tub. Tub floors are always sloped towards the drain. The threaded rubber tips of the Raze should be adjusted to make the seat level in a tub.



**LEG POSITIONS SHOWN IN  
MAXIMUM LATERAL STABILITY**



**LEG POSITIONS SHOWN  
MAXIMUM FORE/AFT STABILITY**

## **IMPORTANT !**

**THE STABILITY OF THE RAZE IS AFFECTED BY THE SEAT-TO-FLOOR HEIGHT, THE POSITIONING OF THE LEGS, THE PHYSICAL AND CLINICAL CHARACTERISTICS OF THE USER AND THE INSTALLATION OF THE BACK SUPPORT AND TRANSFER SURFACE. STABILITY TESTS SHOULD BE PERFORMED WITH AN ATTENDANT WHO CAN PREVENT THE CHAIR FROM TIPPING OR MOVING.**

### Chlorine Exposure

Suitable for use in wet areas, but not pools and similarly corrosive environments.

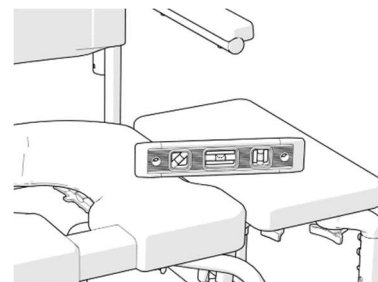
**DO NOT** store the device near pools because chlorine in the air can cause rust in some of the chair's stainless-steel components.

### Transfers

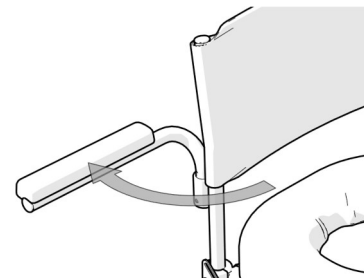
The transfer is the most dangerous part of using any toileting or bathing chair. Since every chair has different stability characteristics, it is essential to carefully review and test the transfer technique to ensure the transfer procedure is safe. Test transfers should be performed with an attendant who can prevent the chair from tipping or moving during the transfer. If you feel that the transfers cannot be repeatedly performed safely, contact a healthcare professional who is familiar with transfer techniques and options. Individuals who have not learned safe transfer skills must seek assistance during transfers and may require a mechanical lift.

## Transferring onto a Raze

**ALWAYS** position the chair legs at maximum stability. Refer to figures under **Stability**. If the transfer surface is installed, ensure the legs of the surface are adjusted to the appropriate height so that all legs reach the floor and both the seat and transfer surface are level. If the back support option is installed, the arms can be swung away or removed for lateral transfers. When used to assist in transfers, the arm supports must be fully seated in the receivers to prevent unintentional rotation. This could cause users to lose balance and result in serious injury.



**Transfers should never be attempted with the Raze positioned on slippery surfaces.** It is recommended that transfers be performed on clean, dry, non-slippery surfaces. A slippery floor can be caused by dust, water, soap, or any substance that does not allow the rubber tips of the chair to grip the floor securely. Be aware that shower mats can slide on floors and thereby present a hazardous surface.



**DO NOT** stand on any part of the Raze frame.

### **IMPORTANT !**

**USERS SHOULD NEVER BE LEFT UNATTENDED IN A RAZE CHAIR.**

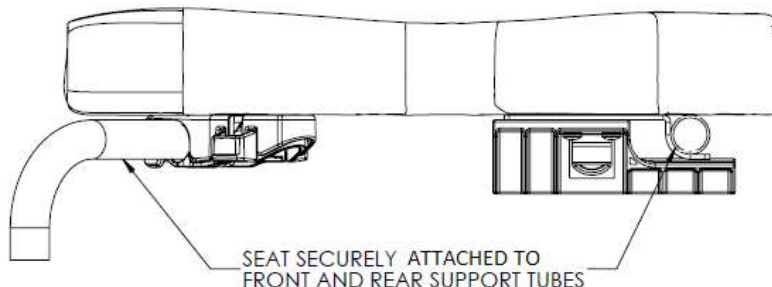
### **IMPORTANT !**

**WHEN FITTED WITH THE OPTIONAL BACK SUPPORT, DO NOT USE THE ARM SUPPORTS TO LIFT THE RAZE WITH OR WITHOUT THE OCCUPANT!**

### **IMPORTANT !**

**ALWAYS BE SURE THAT THE SEAT IS PROPERLY INSTALLED AND LATCHED BEFORE A USER IS TRANSFERRED ONTO THE CHAIR. THE REAR SEAT ATTACHMENT BRACKETS MUST BE FULLY HOOKED UNDER THE REAR SEAT SUPPORTS. THE FRONT SEAT ATTACHMENT BRACKETS MUST BE SECURELY LATCHED AROUND THE FRONT SEAT SUPPORT TUBES. BOTH FRONT AND REAR SEAT ATTACHMENT BRACKETS SHOULD BE SECURED IN PLACE BY TIGHTENING THE 8 SCREWS ON THE UNDERSIDE OF THE SEAT.**

**INSTRUCTION FOR THE PROPER REMOVAL AND INSTALLATION OF THE SEAT FOR CLEANING MUST BE PROVIDED TO THE USER AND / OR ATTENDANTS.**



Note: The Rear Seat Attachment Brackets can be different from image. The rear brackets shown in the above image are for the optional commode pan.

## **IMPORTANT!**






**THE RAZE IS INTENDED FOR THE FOLLOWING USES:**

- **AS AN AID FOR SHOWERING / BATHING, TOILETING AND OTHER ACTIVITIES ASSOCIATED WITH PERSONAL CARE;**
- **AS A SUPPORT FOR THE BODY OF THE USER IN A SEATED POSITION;**
- **WITH OR WITHOUT THE ASSISTANCE FROM A CAREGIVER;**
- **OVER A STANDARD TOILET, OR AS A COMMODE WITH THE COMMODE PAN;**
- **IN INDOOR ENVIRONMENTS ONLY;**

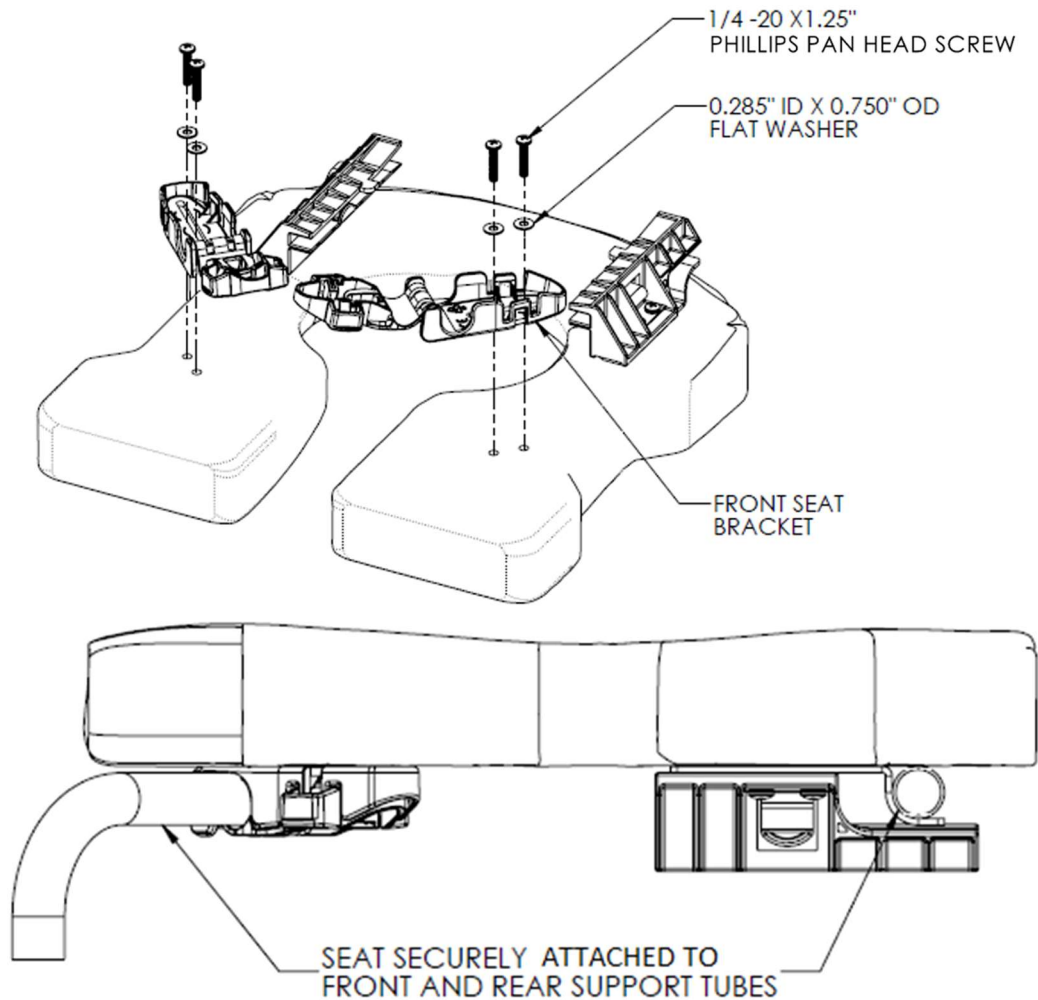
**THE RAZE DOES NOT PERFORM ANY THERAPEUTIC OR DIAGNOSTIC FUNCTIONS AND IS NOT INTENDED FOR USE FOR ANY THERAPEUTIC OR DIAGNOSTIC PURPOSES. ALL PRODUCTS WITHIN THE RAZ FAMILY ARE NON-STERILE, REUSABLE, NON-INVASIVE, AND NON-IMPLANTABLE.**

**THE RAZE IS INTENDED TO BE USED BY PEOPLE WITH MOBILITY IMPAIRMENTS WHO MAY HAVE DIFFICULTY STANDING OR KEEPING THEIR BALANCE WHILE COMPLETING ACTIVITIES SUCH AS SHOWERING, TOILETING, OR OTHER PERSONAL HYGIENE ACTIVITIES. TYPICAL USERS HAVE LIMITED ENDURANCE AND POSTURAL CONTROL AND MAY REQUIRE ASSISTANCE FROM A CAREGIVER FOR THE ABOVE ACTIVITIES.**

# LABELS OR SYMBOLS ON THE PRODUCT

PRODUCT DESIGNATION	Raze
MANUFACTURER ADDRESS	 <b>Raz Design Inc.</b> 135 Railside Road Toronto, ON Canada M3A 1B7
AUTHORIZED REPRESENTATIVE DETAIL	<div style="border: 1px solid black; padding: 2px; display: inline-block; margin: 2px;">EC</div> <div style="border: 1px solid black; padding: 2px; display: inline-block; margin: 2px;">REP</div>  <b>UKRP</b>  <div style="border: 1px solid black; padding: 2px; display: inline-block; margin: 2px;">CH</div> <div style="border: 1px solid black; padding: 2px; display: inline-block; margin: 2px;">REP</div>
PRODUCT IDENTIFER (PI)	<div style="border: 1px solid black; padding: 2px; display: inline-block; margin: 2px;">SN</div> RAE-XXXXXX
UDI-DI	<div style="border: 1px solid black; padding: 2px; display: inline-block; margin: 2px;">UDI</div> 628758004448
MEDICAL DEVICE	<div style="border: 1px solid black; padding: 2px; display: inline-block; margin: 2px;">MD</div>
EUROPEAN CONFORMITY	
DATE OF MANUFACTURE	
MAXIMUM USER WEIGHT	
READ USER MANUAL	

## FRONT SEAT BRACKET INSTALLATION (IF APPLICABLE)



Please refer to the above image for the installation procedure.

Note: The Rear Seat Attachment Brackets can be different from image. The rear brackets shown in above image are for the optional commode pan.

Note: Please install the Phillips Pan Head Screws by hand. The use of power tools may cause the bracket to deform.

After installation, ensure the brackets are secured onto the seat. Open and close the front brackets to check for proper functionality.

Always be sure that the seat is properly installed and latched. The rear hooks must be fully engaged with the rear seat support tubes and the front brackets must be latched and locked around the front seat support tubes.

## USER & DEALER MANUAL TABLE OF CONTENTS

1.0	GENERAL INFORMATION .....	9
1.1	Raze Overview.....	9
1.2	Raze Specifications .....	9
1.2.1	Chair Specifications .....	9
1.2.2	Accessories Specifications .....	9
2.0	SET-UP.....	10
2.1	Set Up for Toilet Use.....	10
2.2	Set Up for Tub Use .....	11
2.3	Raz Seat Installation .....	11
2.4	Optional Back Support Installation .....	12
2.4.1	Upholstery Installation .....	12
2.4.2	Back Support Installation .....	12
2.4.3	Arm Support Installation .....	12
2.5	Handle Installation .....	12
2.6	Transfer Surface Installation (required for tub use) .....	13
2.6.1	Transfer Surface Assembly.....	13
2.6.2	Transfer Surface Installation.....	13
3.0	ADJUSTMENTS .....	14
3.1	Seat Depth Adjustment – INTENDED FOR DEALER USE ONLY .....	14
3.2	Seat Height Adjustment .....	14
3.3	Under-Seat-Clearance Adjustment.....	15
3.3.1	Under-Seat-Clearance Adjustment .....	15
3.3.2	Under-Transfer-Surface-Clearance Adjustment .....	15
3.3.3	Leg Configurations of Raze .....	16
4.0	USE AND OPERATION.....	17
4.1	Using Raze as Raised Toilet Seat.....	17
4.2	Using Raze as Bathtub/Shower Commode Seat .....	17
4.3	Commode Pan .....	18
5.0	CLEANING AND MAINTENANCE .....	19
5.1	Cleaning After Each Use .....	19
5.1.1	Commode Pan.....	19
5.1.2	Seat.....	19
5.2	Cleaning As Needed .....	19
5.2.1	Frame, Back Support, Arm Supports, and Other Components.....	19
5.3	Suggested Cleaning Products.....	19
6.0	LIMITED WARRANTY .....	20
7.0	CONTACTS .....	21

# 1.0 GENERAL INFORMATION

## 1.1 Raze Overview

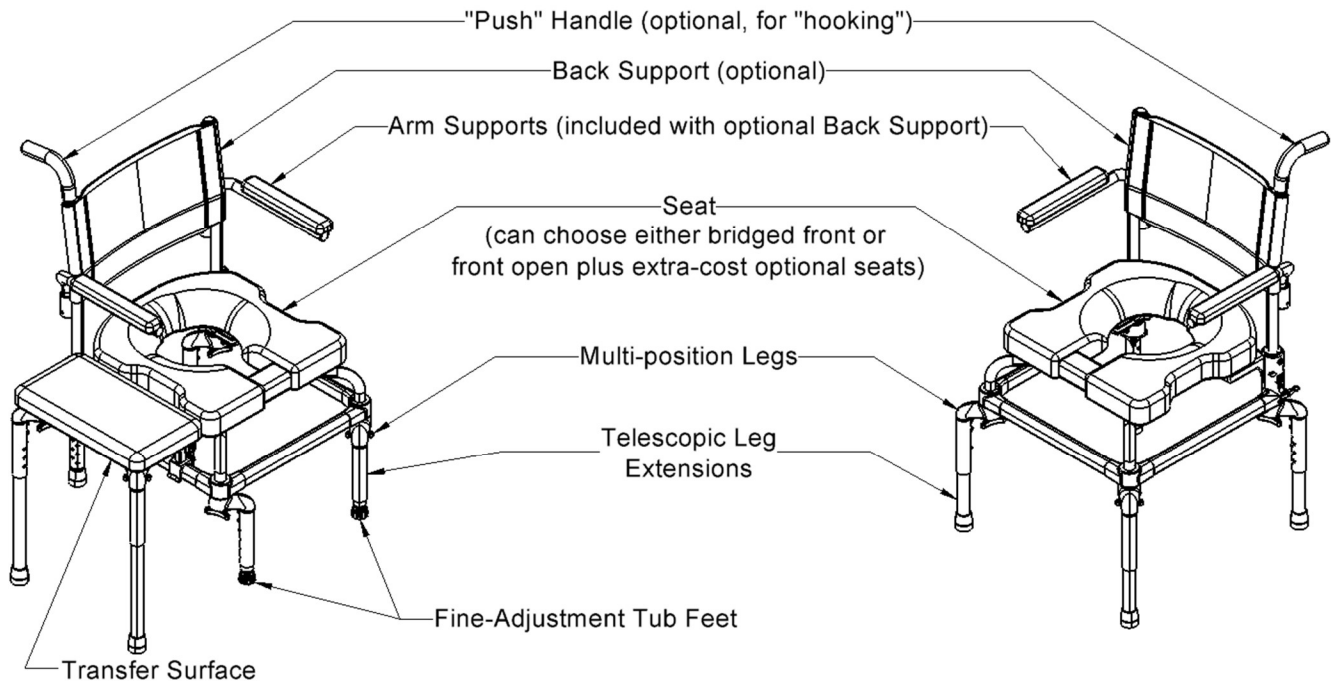


Figure 1.1 Overview of Raze for tub (Left) and Raze for toilet (Right).

## 1.2 Raze Specifications

### 1.2.1 Chair Specifications

SPECIFICATIONS	Raze for toilet (without Back Support)	Raze for toilet (with Back Support)	Raze for tub (with Narrow Transfer Surface)
WEIGHT CAPACITY	160 kg (352 lbs)		
FRAME AND HARDWARE MATERIAL	Aluminum (Lifetime warranty against corrosion)		
SEAT FRAME WIDTH	49.5 cm (19.5")		
OVERALL LENGTH	51-61.5 cm (20"-24.25")		
OVERALL WIDTH	51-60.5 cm (20"-23.75")	59-60.5 cm (23.25"-23.75")	75.5-79.5 cm (29.75"-31.25")
COMMODOE SEAT SIZE	45.5 cm (18") Width x 43 or 51 cm (17" or 20") Depth		
SEAT-TO-FLOOR HEIGHT	51.5-59 cm (20.25"-23.25") 54-59 cm (21.25"-23.25") with transfer surface 1.25 cm (0.5") increments		N/A
UNDER SEAT CLEARANCE HEIGHT	42-49.5 cm (16.5"-19.5") 1.25 cm (0.5") increments * without brackets +0.75"		N/A
UNDER SEAT CLEARANCE WIDTH	28.5-39.5 cm (11.25"-15.5")		N/A
PRODUCT WEIGHT	19 lbs	26 lbs	33.5 lbs

### 1.2.2 Accessories Specifications

SPECIFICATIONS	Back Support with Arm Supports
BACK SUPPORT UPHOLSTERY HEIGHT ABOVE SEAT	38 cm (15")
BACK SUPPORT WIDTH	47 cm (18.5")
ARM SUPPORT HEIGHT ABOVE SEAT	23 cm (9")

SPECIFICATIONS	Transfer Surface - Narrow	Transfer Surface - Wide
TRANSFER SURFACE DEPTH	40.5 cm (16")	
TRANSFER SURFACE WIDTH	22 cm (8.5")	32 cm (12.5")
CENTER OF TUB TO OUTER TUB WALL	43 cm (17") MAX	53.5 cm (21") MAX
TRANSFER SURFACE-TO-FLOOR HEIGHT	53.5-61 cm (21"-24") To Floor Outside Tub	
TUB WALL CLEARANCE HEIGHT	42.5-50 cm (16.75"-19.75") To Floor Outside Tub	

## 2.0 SET-UP

IMPORTANT: Raze chair legs differ depending on the usage of Raze. Ensure the appropriate components are selected for the proper setup. All variations of Raze legs are shown in Figure 2.1.

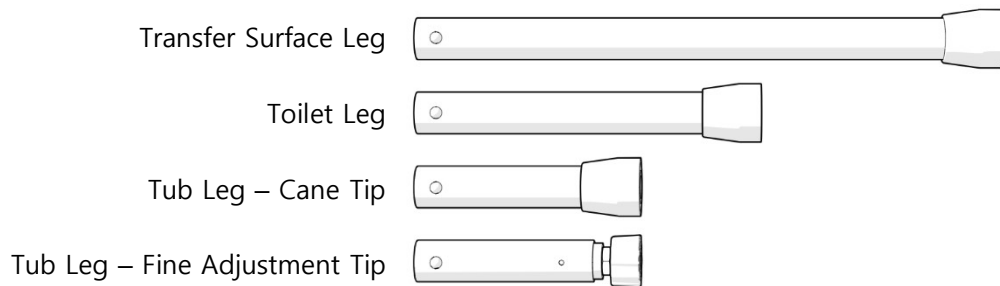


Figure 2.1 Types of Raze legs.

### 2.1 Set Up for Toilet Use

1. Insert the front seat support tubes into the frame.
2. Place the frame upside down.
3. Install one leg on the frame in the 45-degree outward orientation (Figure 2.3).
4. Secure the leg using the attached trilobe.
5. Repeat steps 3 and 4 to install the remaining legs.
6. Ensure that all trilobes are tightened.
7. Test each leg to ensure that it is securely fastened.
8. Using the spring buttons, adjust the height of the Raze as required.

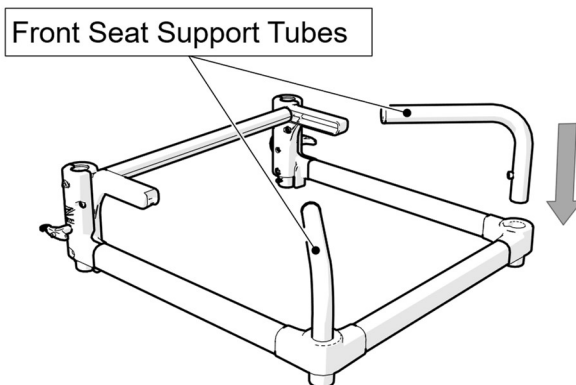


Figure 2.2 Front seat support tube installation.

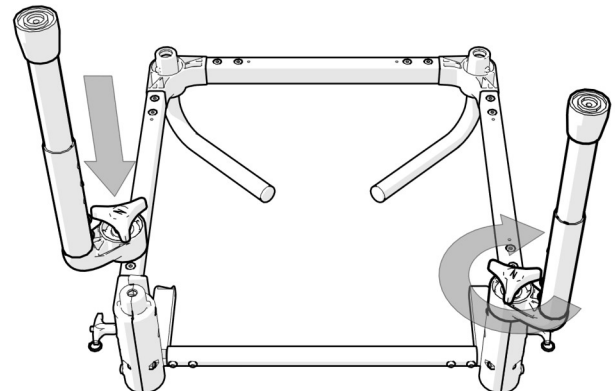


Figure 2.3 Leg installation in 45-degree outward orientation for use over a toilet.

# IMPORTANT !

FOR USE IN A TUB, RAZE MUST HAVE THE TRANSFER SURFACE ATTACHED.

## 2.2 Set Up for Tub Use

1. Insert the front seat support tubes into the frame.
2. Place the frame upside down.
3. Install two legs with the fine-adjustment tips on the front of the Raze. The fine adjustment is used to accommodate the slope of the tub floor.

Note: The legs should be oriented inwards for most tubs to accommodate the narrow tub floor.

4. Secure the legs using the attached trilobe.
5. Repeat steps 3 and 4 to install the remaining legs.
6. Ensure that all trilobes are tightened.
7. Test each leg to ensure that it is securely fastened.
8. Place the frame in the tub in the preferred location.
9. Use the spring button adjustment to set the height of the Raze in the tub.
10. Use the fine adjustment tips to level the seat.
11. Tighten the jam nuts on the threaded feet to lock in their adjustment positions.
12. Attach and level the transfer surface. See section 2.6.

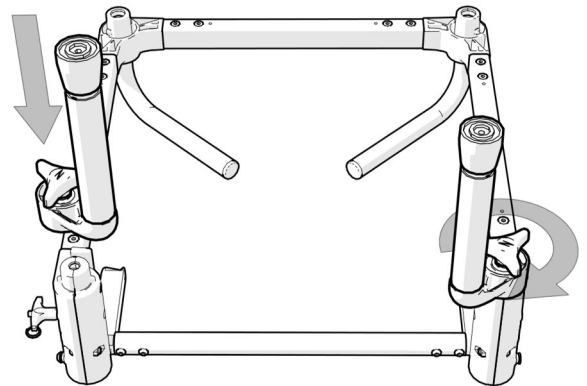


Figure 2.4 Leg installation in 45-degree inward orientation for use in a tub.

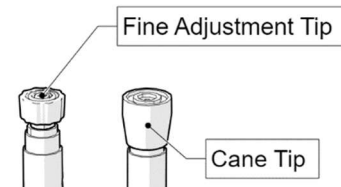


Figure 2.5 Leg with fine adjustment tip (Left) and Leg with cane tip (Right)

## 2.3 Raz Seat Installation

1. Ensure that the front brackets are in the open position. To open the front brackets, squeeze the tabs on the hinged portion of the bracket.
2. Slide the rear of the seat over the rear seat support tube as the front of the seat is lowered onto the frame. Check to ensure that the rear seat brackets hook below and are fully engaged with the rear seat support tube.
3. Continue lowering the front of the seat until the front seat brackets nestle onto the front seat support tubes.
4. Secure the seat in place by closing the front seat brackets. To close the seat bracket, snap the clamp back onto its other half around the front seat support tubes.

\*See the bottom of page 4.

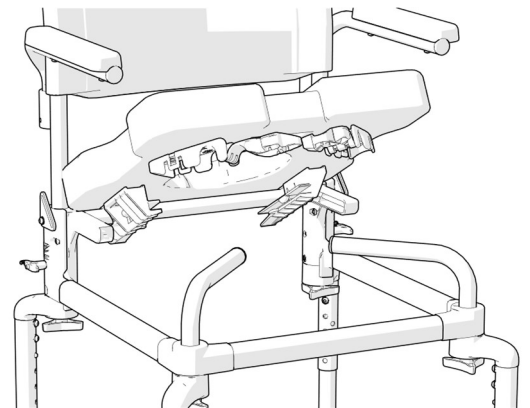


Figure 2.6 Raz Seat Installation

## 2.4 Optional Back Support Installation

### 2.4.1 Upholstery Installation

1. Position the upholstery flat on a surface such that the Raz logo is visible and upright.
2. Insert the back support posts into the upholstery from the bottom until the arm support receivers are below the upholstery.

Note: The Raz logo should be right-side up at the rear of the back support.

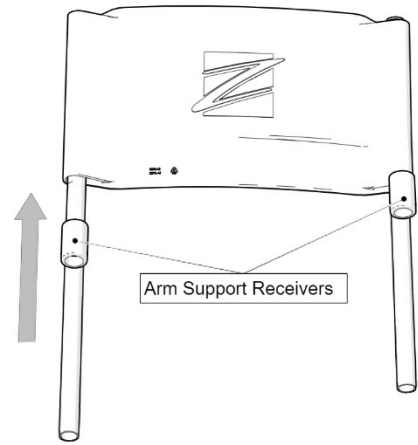


Figure 2.7 Rear View of Installing upholstery to the back support posts

### 2.4.2 Back Support Installation

1. Remove the T-Handle quick-release pins from the seat frame by pressing the button and pulling them out.
2. Insert the back support posts into the seat frame.
3. The back posts have alignment notches that position the posts in a forward orientation.
4. With the alignment notches fully seated on the alignment pins, the posts can be secured to the frame by re-inserting the T-Handle quick-release pins.
5. Ensure pins are completely through the frame before releasing the button.
6. Ensure that the back support posts are secure after installation.

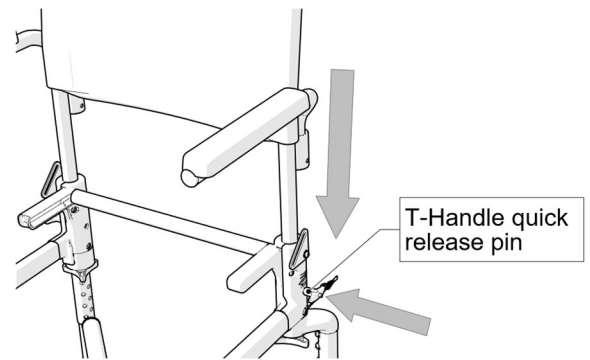


Figure 2.8 Back Support Installation

### 2.4.3 Arm Support Installation

1. Insert the arm supports into the receivers.
2. Rotate and insert the arm support until it reaches the bottom of the receiver; In a forward orientation, the alignment notches will sit onto the alignment pins, keeping the arm supports from rotating.
3. After installation, ensure the arm supports do not rotate unless lifted slightly in the receiver.

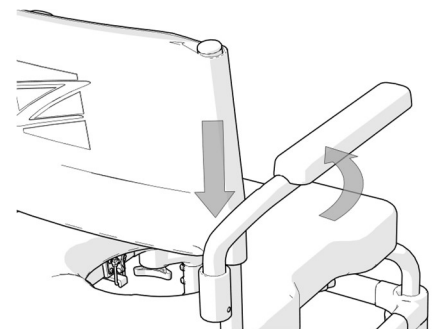


Figure 2.9 Arm Support Installation

## 2.5 Handle Installation

1. Remove the plug if it is installed.
2. Depress the button on the handle post.
3. Insert the handle post into the back support frame.
4. Align the button to the hole in the frame.
5. Ensure the button is fully engaged into the hole, ensuring it does not move after installation

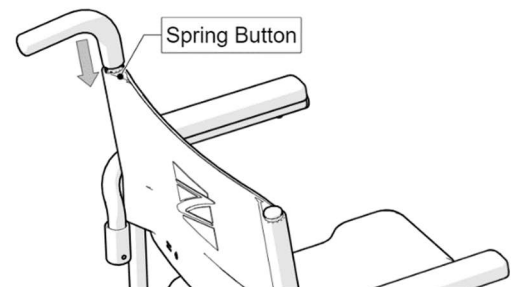


Figure 2.10 Handle Installation

## 2.6 Transfer Surface Installation (required for tub use)

### 2.6.1 Transfer Surface Assembly

1. Place the transfer surface upside down.
2. Install one telescopic leg on the transfer surface in the 45-degree outward orientation (Figure 2.9).
3. Secure the leg using the attached trilobe.
4. Repeat steps 3 and 4 to install the other leg.
5. Loosen the clamp trilobes under the transfer surface.
6. Slide the two connector legs onto the clamps.
7. Secure the connector legs by tightening the clamp trilobes.
8. Ensure all trilobes are tightened.

### 2.6.2 Transfer Surface Installation

1. Release the latch clamp, using the red lever, to open the bracket of one connector leg.
2. Repeat the above step for the second connector leg.
3. Position the transfer surface on the preferred side of the chair so the brackets nestle on the seat frame.
4. Align the clamps to be approximately centered on the seat frame.
5. Adjust the telescopic legs of the transfer surface to level it with the seat. See section 3.2.
6. Close the brackets using the latch clamp to secure the transfer surface.

Note: If the latches do not close, loosen the clamp trilobes under the transfer surface to align the connector legs on the frame.

7. Ensure that the transfer surface does not move after installation.

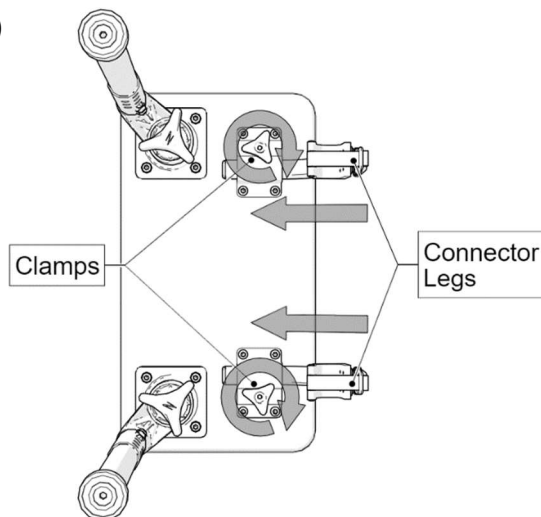


Figure 2.11 Installing telescopic legs in 45° outward position (Left) and connector legs (Right) to a Transfer Surface

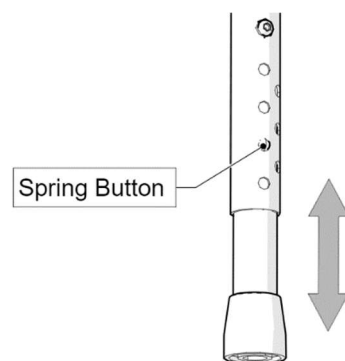


Figure 2.12 Telescopic legs

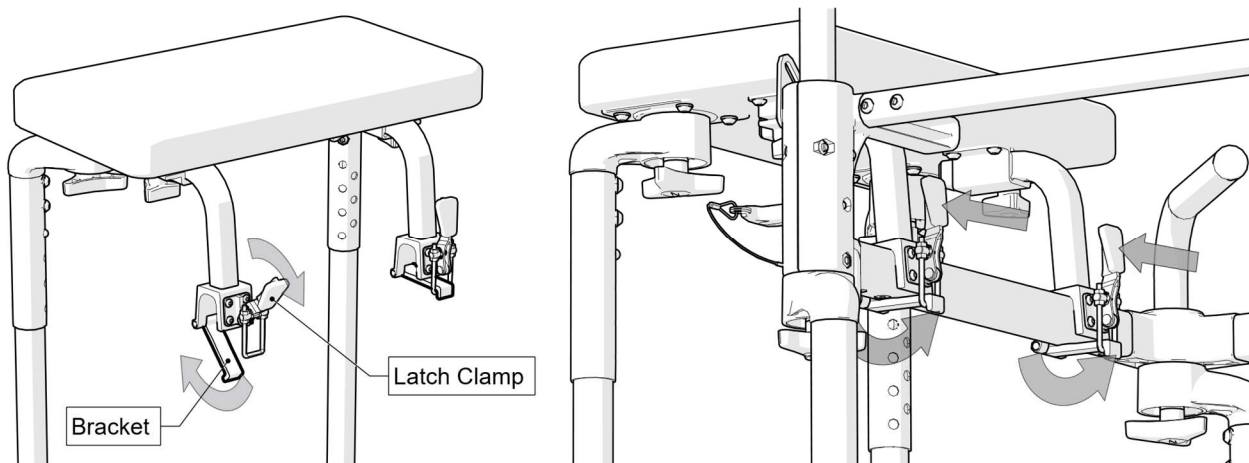


Figure 2.13 Transfer Surface Installation; releasing the latch clamp (Left), securing the transfer surface on the chair frame (Right)

### 3.0 ADJUSTMENTS

## IMPORTANT !

**ADJUSTMENTS SHOULD NEVER BE ATTEMPTED WITH THE USER IN THE CHAIR.**

#### 3.1 Seat Depth Adjustment – INTENDED FOR DEALER USE ONLY

The seat has approximately 5 cm (2") of fore/aft adjustment allowing optimal positioning of the seat aperture around the user's Ischial Tuberosities.

Tool Required: #2 Phillips screwdriver

1. Release the seat by opening the front seat brackets.
2. Lift the front of the seat and pull upward and then forward to remove the seat from the chair.
3. Loosen (but do not remove) the eight screws attaching the front seat brackets and rear seat brackets to the underside of the seat. *Note: For clarity, the rear seat brackets are shown below without commode pan brackets.*
4. Place the seat back in position on the frame and close the front seat brackets around the front seat support tubes.
5. Slide/wiggle the seat to the desired position.
6. Ensure rear seat brackets are firmly positioned against the rear seat support tube.
7. Tighten all eight screws attaching the front and rear seat brackets to the seat to prevent further movement of the seat. *Note: Ensure the front and rear seat brackets are securely latched around the front and rear seat support tubes before allowing a user to transfer into the chair.*

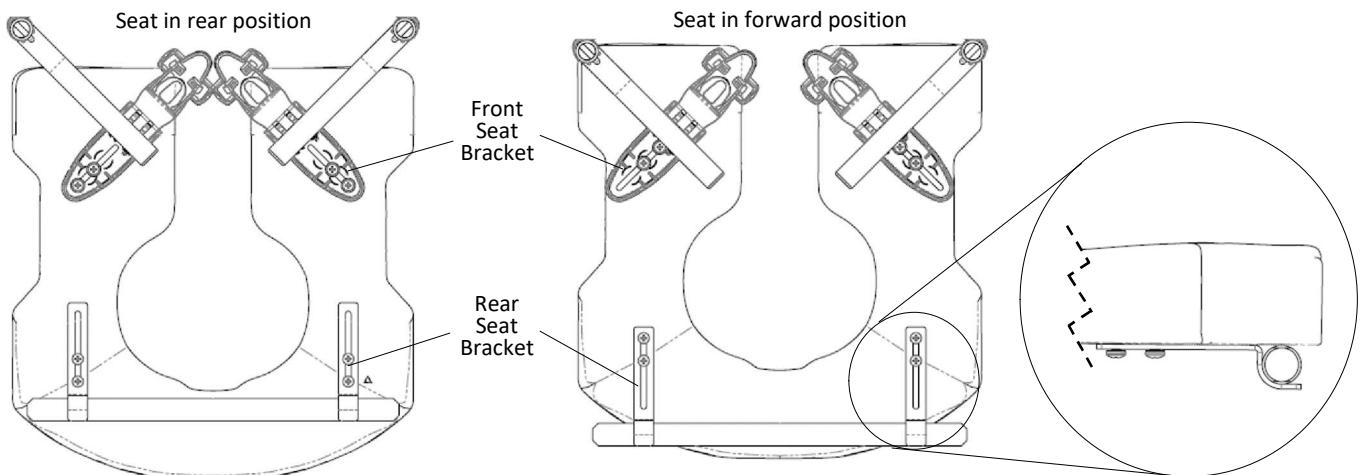


Figure 3.1 Illustration of the Ischial Pelvic Alignment System (IPAS) used for seat depth adjustment.

## IMPORTANT !

**BOTH THE SEAT AND TRANSFER SURFACE MUST BE LEVELED PRIOR TO USE. NEVER ATTEMPT TO TILT THE SEAT ANGLE BY ALTERING THE LEG HEIGHTS, THIS WILL REDUCE THE CHAIR'S STABILITY AND MAY RESULT IN TIPPING.**

#### 3.2 Seat Height Adjustment

The Raze chair has four telescopic legs providing a height adjustment range of 3". To adjust the height:

1. Depress the spring button to release the telescopic leg.
2. Slide the leg to align the spring button with the desired adjustment hole.
3. Ensure the spring button is completely engaged in the adjustment hole.
4. Repeat steps 1 to 4 for all other legs on the chair, they should be adjusted such that the chair seat is leveled.

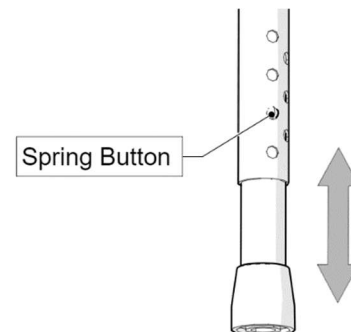


Figure 3.2 Telescopic legs

## IMPORTANT !

**TUBS ARE TYPICALLY NARROW. TO FIT THE RAZE INTO A TUB, THE LEG MAY NEED TO BE ROTATED INWARD, IN ORDER TO NARROW THE FOOTPRINT. NARROWING THE FOOTPRINT WILL REDUCE STABILITY. FOR THIS REASON, THE RAZE MUST NEVER BE USED IN A TUB WITHOUT THE TRANSFER SURFACE ATTACHED.**

For tub use, Raze has two legs with adjustable tub feet allowing finer height adjustment. These should be installed on the front side of the chair.

1. Rotate the rubber tip to reduce or increment the height.
2. Repeat step 1 for all other legs on the chair, they should be adjusted such that the chair seat is leveled.
3. Once the seat is leveled, tighten the jam nuts on the threaded feet to lock in their adjustment positions.
4. Ensure that all rubber tips of the chair are fully in contact with the flat surface of the tub floor or the washroom floor.

The transfer surface has two telescopic legs that can be adjusted in the same manner as the above instructions. Both the chair and the transfer surface must be leveled before use.

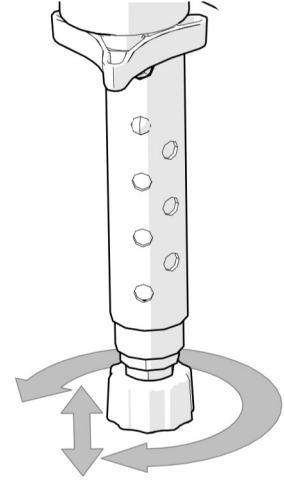


Figure 3.3 Leg with fine-adjustment tip

## IMPORTANT !

**HIGHER SEAT POSITIONS WILL REDUCE THE CHAIR'S STABILITY AND MAY CAUSE TIPPING.**

### 3.3 Under-Seat-Clearance Adjustment

#### 3.3.1 Under-Seat-Clearance Adjustment

The RAZE chair has four multi-position rotating legs providing a width adjustment range of 8". See Section 3.3.3 for example leg positions.

1. Loosen the trilobe holding the leg position in place until the leg can be rotated.
2. Rotate the leg to the desired position.
3. Fasten the trilobe to hold the leg in place.
4. Ensure that the trilobe tightly holds the leg position such that the legs do not move after adjustment.
5. Repeat steps 1 to 4 for the other three legs of the chair.

#### 3.3.2 Under-Transfer-Surface-Clearance Adjustment

The RAZE transfer surface has two multi-position rotating legs reaching the floor, and two connector legs holding the chair frame. To adjust the multi-position rotating legs:

1. Loosen the trilobe holding the leg position in place until the leg can be rotated.
2. Rotate the leg to the desired position.
3. Fasten the trilobe to hold the leg in place.
4. Ensure that the trilobe tightly holds the leg position such that the legs do not move after adjustment.
5. Repeat steps 1 to 4 for the other leg.

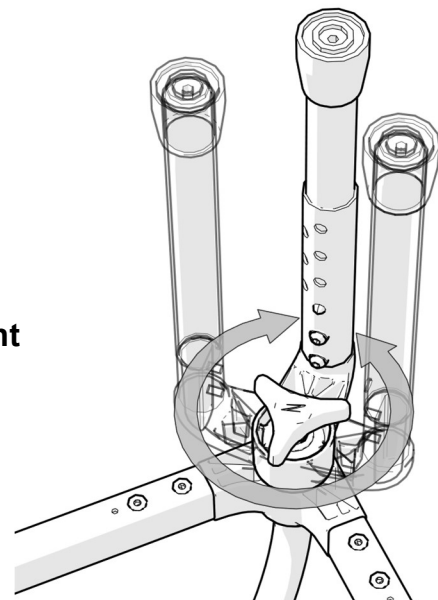
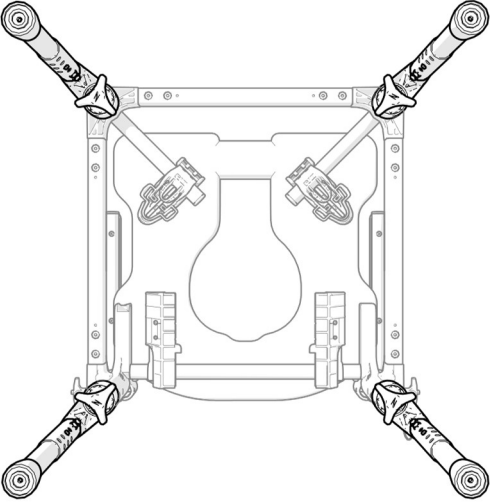
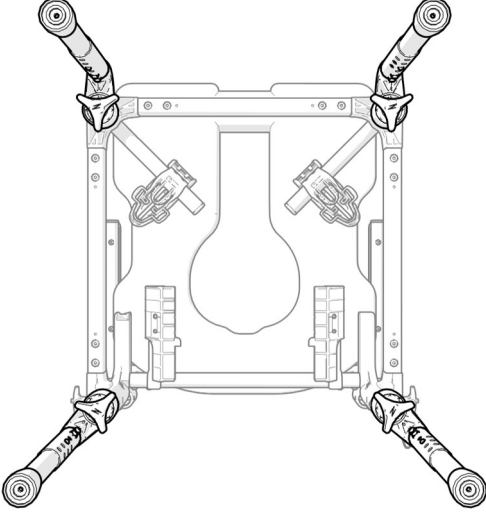
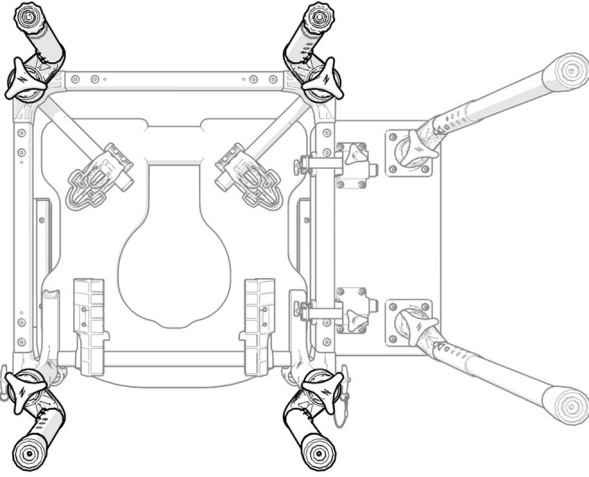
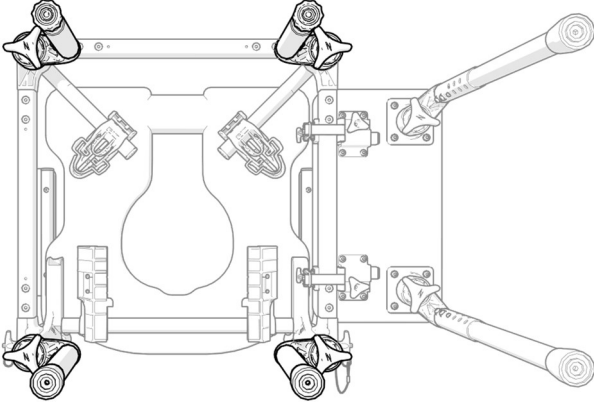


Figure 3.4 multi-position rotating leg with 45° increments

### 3.3.3 Leg Configurations of Raze

The multi-position legs can be positioned further apart for better stability or closer together to fit between narrower tub walls. In cases where the leg poses a hazard in making transfers, it can be positioned to clear the area for unobstructed access to the chair. Refer to the tables below for examples of case-specific configurations.

Optimal Stability for Toilet Use	Long Seat, for Toilet Use
	
<p><b>Note: The front legs may interfere with transfers and may need to be repositioned.</b></p>	

Optimal Stability for Tub Use	Narrowest configuration, for Narrow Tub Use
	

## 4.0 USE AND OPERATION

### 4.1 Using Raze as Raised Toilet Seat

1. Ensure that the Raze chair has the toilet legs installed. It is highly suggested to avoid using the tub legs for over-toilet use due to possible insufficient under-seat clearance. Refer to the specifications (Section 1.1) for the range of clearance heights that each style of tub and toilet leg offers.
2. Open the toilet lid.
3. Adjust the seat height to secure enough under-seat clearance for the toilet to fit.
4. **It is highly recommended to position the legs at 45° outwards for optimal stability. DO NOT position the legs inwards.**
5. Place the Raze chair over the toilet by sliding or lifting the Raze chair by the seat frame.
6. Align the seat to the toilet seat.
7. Ensure that all legs of the chair are in contact with the floor and that the Raze does not rock.
8. Before use, test that transfers can be made safely.



Figure 4.1 Raze on a toilet; legs positioned 45° outwards for maximum stability.

### 4.2 Using Raze as Bathtub/Shower Commode Seat

#### **IMPORTANT !**

**FOR USE IN A TUB, RAZE MUST HAVE THE TRANSFER SURFACE ATTACHED.**

#### **IMPORTANT !**

**RAZE MUST NEVER BE USED IN THE TUB WITHOUT TUB LEGS, ADJUSTABLE TUB FEET ARE ESSENTIAL IN ACHIEVING STABILITY ON THE SLOPED TUB FLOOR.**

1. Adjust the leg positions if needed, to ensure the chair can fit in the tub. **The legs must be positioned as wide as possible while fully in contact with the tub floor, not on the curved sides.**
2. Adjust the seat height with telescoping legs if needed. The seat should be low enough to ensure the occupant's feet can touch the floor while seated.
3. **Install the transfer surface. DO NOT use in the bathtub without the transfer surface.**
4. Lift the Raze chair by the seat frame and place it inside the tub or shower.
5. Rotate the adjustable tub feet to level the seat for maximum stability.
6. Ensure that all four legs of the chair are in contact with the tub or shower floor.
7. Before use, test that transfers can be made safely.

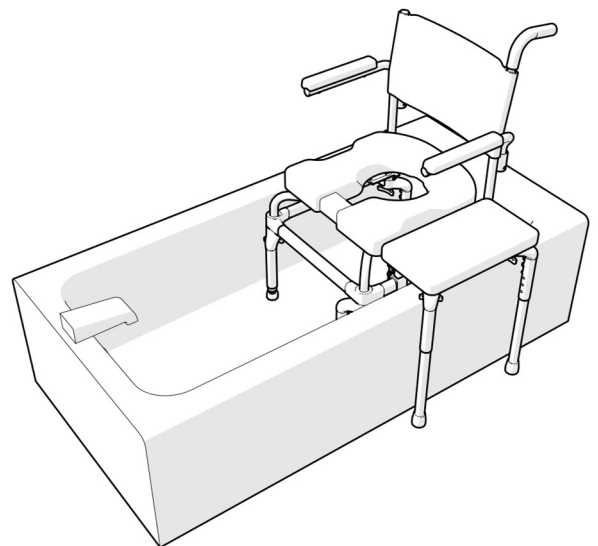


Figure 4.2 Raze in a tub with transfer surface; legs positioned 45° inwards.

### 4.3 Commode Pan

The Raz Commode Pan is designed with an elongated shape that fits directly under the seat to minimize backsplash. A unique splash-reduction ridge is located at the center of the pan. The high gloss surface facilitates cleaning and rinsing, while the pouring spout and handle facilitate emptying. Removal of the Commode Pan is achieved by sliding the pan rearward.

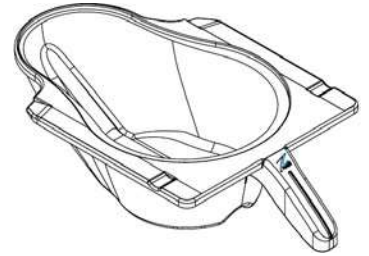


Figure 4.3 Commode Pan

*NOTE: When re-inserting the pan, ensure that the pan is guided into the green plastic brackets and pushed forward until it hits the stops.*

## 5.0 CLEANING AND MAINTENANCE

### 5.1 Cleaning After Each Use

#### 5.1.1 Commode Pan

1. Remove the commode pan and empty the contents.
2. Wash the pan with a multi-purpose disinfectant cleaning solution. Use a soft brush if needed.
3. Rinse well before storage or re-use.

*NOTE: A soapy hot water wash followed by a disinfectant spray can be substituted for a multi-purpose disinfectant cleaning solution.*

#### 5.1.2 Seat

1. Spray with a multi-purpose disinfectant cleaner and scrub with a soft brush as required.
2. Rinse with a water spray before storage or re-use.

**DO NOT IMMERGE** the seat in water or cleaning solutions.

3. For a more thorough cleaning, remove the seat from the shower chair to allow better access to the underside of the seat and around the opening of the seat.

### 5.2 Cleaning As Needed

#### 5.2.1 Frame, Back Support, Arm Supports, and Other Components

1. Spray the frame and components with a multi-purpose disinfectant cleaner, scrub with a soft brush, and rinse with water.
2. If necessary, spray the frame and components with a diluted (10 parts water to 1 part solution) calcium/lime remover (such as CLR), scrub with a soft brush, and rinse thoroughly with water. **DO NOT** mix a calcium/lime removal solution with any other liquid or toxic fumes may result.
3. **DO NOT** use chlorine bleach on any Raze components.

It is recommended to the user that a qualified Raz dealer check over all fasteners and subassemblies on a continuing basis or if there is cause for concern about the shower chair's performance.

Several times each year the shower chair and its components should be wiped down with a diluted calcium/lime removal solution to reduce deposits, followed by a hot water rinse.

To reduce the risk of mildew buildup, the entire shower chair should be wiped down with a soft dry cloth after the final rinse and before storage or use.

### 5.3 Suggested Cleaning Products

Task	Recommended Products
General Cleaning	Antibacterial Detergent
Disinfectant Surface Cleaner Intermediate Level Disinfectant	Oxiver TB (Virox Technologies Inc.) SepteFX 7D-11 (Titan Worldwide Inc.)
Calcium and Lime Deterrent	CLR

## IMPORTANT !

**DO NOT USE ABRASIVE SCRUBBING POWDERS OR SCOURING PADS ON THE RAZE SHOWER COMMUNE CHAIR.**

**DO NOT SUBMERGE THE RAZE SHOWER COMMUNE CHAIR IN WATER.**

**RINSE THOROUGHLY AFTER CLEANING TO ENSURE ANY SOAP OR DETERGENT RESIDUE IS REMOVED.**

**DO NOT USE CLEANING PRODUCTS WITHOUT CONSULTING THE PRODUCT'S INSTRUCTIONS AND TAKING APPROPRIATE PRECAUTIONS FOR HUMAN EXPOSURE TO CHEMICALS.**

## 6.0 LIMITED WARRANTY

This warranty is extended only to the original purchaser/user for Raze Shower Commode Chairs that have been purchased from a qualified Raz dealer.

This warranty gives you specific legal rights, but you may have additional legal rights depending on your region and country.

This warranty shall be extended to comply with state/provincial laws and requirements.

With regards to the original purchaser/user only, Raz Design warrants its base and back frame components to be free of defects in materials and workmanship for a period of two (2) years from the date of purchase. All other components on the Raze Shower Commode Chair are covered for a period of one (1) year and are subject to normal wear and tear exclusions. If within such warranty period, any such product shall be proven to be defective, the part will be repaired or replaced, at Raz Design's discretion. This warranty does not include any labor or shipping charges incurred in replacement, part installation, or repair of any such product.

For warranty service, please contact the dealer from whom you purchased your Raze Shower Commode Chair. In the event that you do not receive satisfactory warranty service, please contact Raz Design directly using the contact information located at either the beginning or the end of this manual. In your correspondence, please provide your dealer's name and address, the product type, the date of purchase, and the chair's serial number (on a grey label located on the chair frame), as well as the nature of the product issue. Do not return products to the manufacturer without prior authorization.

### **Limitations and Exclusions:**

The foregoing warranty shall not apply to serial-numbered products if the serial number has been removed or defaced, and to products subjected to negligence or an accident. Improper operation, maintenance, or storage may void the warranty coverage on the Raze Shower Commode Chair.

The warranty does not apply to products modified without Raz Design's express written consent. This includes but is not limited to, modification through the use of unauthorized parts or attachments, products damaged by reason of repairs made to any component by an individual or individuals who are not employed by a qualified Raz dealer, or to a product damaged by circumstances beyond Raz Design's control. Only Raz Design will have the authority to determine whether or not the circumstances are eligible for warranty coverage. The warranty will not apply to problems arising from normal wear or failure to adhere to the instructions contained in this manual.

The foregoing warranty is exclusive and in lieu of any other warranties, whether express or implied, including the implied warranties of merchantability and fitness for a particular purpose. The sole remedy for violations of any warranty whatsoever will be limited to the repair or replacement of the defective product in compliance with the terms contained in this document.

The application of any implied warranty shall not extend beyond the duration of the express warranty provided herein. Raz Design will not be liable for any consequential or incidental damages to part or whole of a Raze Shower Commode Chair.

***Raz Design Inc. frame and hardware material are made of stainless steel for which we offer a lifetime warranty against corrosion. Please be advised this lifetime warranty is only extended to the original purchaser/user of the Raze Shower Commode Chair that has been purchased from a qualified Raz dealer. Failure to comply with proper cleaning instructions may cause corrosion to the frame thereby voiding this warranty. Additionally, all claims of corrosion are subject to review and a request may be made for the return of the device in question, for a thorough examination, before a replacement order can be processed.***

## 7.0 CONTACTS

It is important that the Raze Shower Commode Chair be properly assembled and all adjustments be made carefully. Up-to-date manuals can be downloaded from [www.razdesigninc.com](http://www.razdesigninc.com). For clarification of any section of this manual, contact your distributor or the manufacturer.



### MANUFACTURER

Raz Design Inc.  
135 Railside Rd. Toronto, ON, Canada, M3A 1B7  
877.720.5678 / +1.416.751.5678  
[info@razdesigninc.com](mailto:info@razdesigninc.com)



## IMPORTANT !

PRODUCTS THAT CAN NO LONGER BE USED ARE TO BE DISPOSED OF SEPARATELY FROM HOUSEHOLD WASTE. THIS MUST BE DONE ACCORDING TO THE LOCAL AND NATIONAL REGULATIONS FOR ENVIRONMENTAL PROTECTION AND RAW MATERIAL RECYCLING. PLEASE LOOK AT YOUR LOCAL GOVERNMENT WEBSITE FOR FURTHER INFORMATION ON THE CORRECT DISPOSAL.

IF IT IS EVER FELT THAT ANY ASPECT OF THE RAZE SHOWER CHAIR IS IN NEED OF MAINTENANCE, CONTACT YOUR DEALER. ANY PROBLEMS THAT COULD AFFECT THE SAFE USAGE OF THE CHAIR MUST BE ATTENDED TO IMMEDIATELY. THE DEALER THAT PROVIDED THE SHOWER CHAIR MUST BE CONTACTED SO THAT REPAIRS CAN BE MADE PRIOR TO RESUMING USE OF THE CHAIR. IT MUST BE MADE CLEAR TO THE DEALER THAT THE SHOWER CHAIR IS IN NEED OF MAINTENANCE AND IS UNAVAILABLE FOR USE UNTIL REPAIRS HAVE BEEN UNDERTAKEN AND ALL PROBLEMS RESOLVED.

IF FOR ANY REASON, YOUR DEALER DOES NOT RESPOND TO YOUR SATISFACTION, PLEASE CONTACT RAZ DESIGN:

BY EMAIL [info@razdesigninc.com](mailto:info@razdesigninc.com)  
BY PHONE 877.720.5678 (North America)  
+1.416.751.5678 (Rest of World)