



VELOCE
 ORDER FORM - CANADA

P.O. number:* _____ Date: _____
 Company Name:* _____ Phone:* _____
 Purchasing contact:* _____
 Clinician/Sales rep: _____
 Email: _____
 Marked for: _____

Ship to:* _____
 Name: _____
 Address: _____
 City: _____ Prov: _____
 Postal Code: _____
 Phone: _____

* Required MA080 MA081 Taxes not included
English Manual (STD) Manuel Français

MODEL					
WC20	Ultralight VELOCE Wheelchair (265 lb weight limit)	WM0001029 / WAMZ	\$4 720	<input type="checkbox"/>	
WC09	HD Heavy Duty package (350 lb weight capacity)	WAMF	\$175	<input type="checkbox"/>	
WC10	E-Motion adaptor Kit (2 adaptors) - Only necessary with 6° camber		\$32	<input type="checkbox"/>	
SEAT WIDTH ³					
SW	Seat width: 14" <input type="checkbox"/> 15" <input type="checkbox"/> 16" <input type="checkbox"/> 17" <input type="checkbox"/> 18" <input type="checkbox"/>			NC	<input type="checkbox"/>
SW	Seat width: 19" <input type="checkbox"/> 20" <input type="checkbox"/>	WAMA	\$350	<input type="checkbox"/>	
SEAT DEPTH					
SD	Seat depth: 14" <input type="checkbox"/> 15" <input type="checkbox"/> 16" <input type="checkbox"/> 17" <input type="checkbox"/> 18" <input type="checkbox"/>			NC	<input type="checkbox"/>
SD	Seat depth: 19" <input type="checkbox"/> 20" <input type="checkbox"/>	WAMB	\$265	<input type="checkbox"/>	

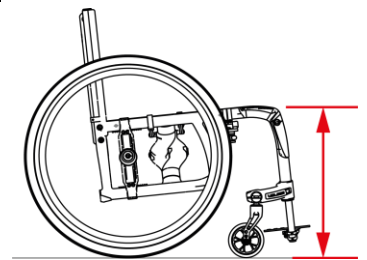
1- Depth achieved with 15" frame 2- Available with HD option 3- Width calculator

FRAME LENGTH (Seat sling depth plus distance from seat sling to front of frame) ¹					
SP01	Standard frame length configuration ²			STD	<input type="checkbox"/>
SP02	Frame length 1" longer than standard configuration			NC	<input type="checkbox"/>
SP03	Frame length 2" longer than standard configuration			NC	<input type="checkbox"/>
SP04	Frame length 1" shorter than standard configuration			NC	<input type="checkbox"/>
SP05	Frame length 2" shorter than standard configuration			NC	<input type="checkbox"/>

1- See chart at page 6 2- 4.375" from seat sling to front frame

FRONT Seat-to-floor height

Caster sizes	Height available +/- 1/4"	
3" Caster	14" to 21"	Specify desired height: _____ (inches)
4" Caster	14.5" to 21"	
5" Caster	15.5" to 21"	
6" Caster	16.5" to 21" (N/A with 90° front frame)	



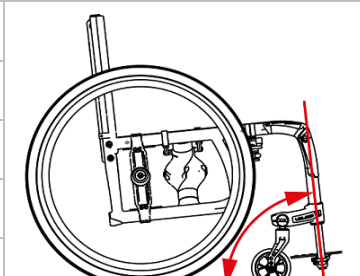
CASTERS										
CA01	Composite wheel w/ PU tire (1" width)	3" <input type="checkbox"/>	4" <input type="checkbox"/>	5" <input type="checkbox"/>	6" <input type="checkbox"/>				NC	<input type="checkbox"/>
CA10	Pneumatic casters 6" x 1 1/4"								\$165	<input type="checkbox"/>
CA14	Newton UltraCaster <i>Soft-Roll</i> Composite	4" x 1 1/2"							\$98	<input type="checkbox"/>
CA15		5" x 1 1/2"							\$98	<input type="checkbox"/>
CA16		6" x 1 1/2"							\$98	<input type="checkbox"/>
CA17		4" x 1 1/2"							\$180	<input type="checkbox"/>
CA18	Newton UltraCaster <i>Soft-Roll</i> Aluminum	5" x 1 1/2"							\$190	<input type="checkbox"/>
CA19		6" x 1 1/2"							\$200	<input type="checkbox"/>
CASTER OPTIONS										
CA13	Carbon fiber Frog Legs suspension forks (Not available with caster pin locks)								\$495	<input type="checkbox"/>

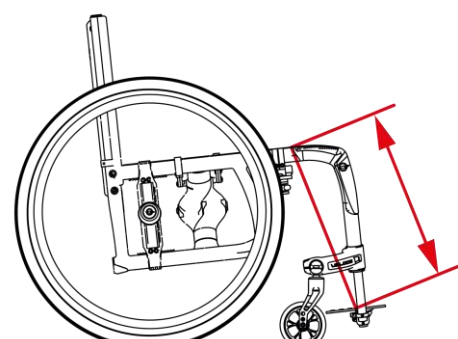
Veloce - REAR Seat-to-floor Height

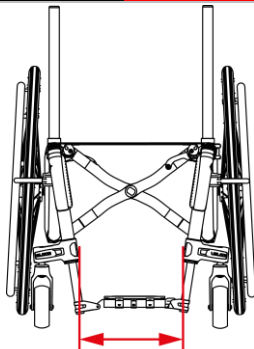
WHEEL SIZES	Height available	Specify desired height: _____
22" (501) wheel <input type="checkbox"/>	13 1/2 to 18 1/4	
24" (540) wheel <input type="checkbox"/>	14 1/2 to 19 1/4	
25" (559) wheel <input type="checkbox"/>	15 to 19 3/4	
26" (590) wheel <input type="checkbox"/>	15 1/2 to 20 1/4	

Configuration used: 1" seat slope with a center of gravity at 2"

Note: Tire size, center of gravity setting and seat slope may result in a variation of +/- 1/2" of selected seat to floor height"

FRONT FRAME ANGLE										
FA70	70° Front frame angle							NC	<input type="checkbox"/>	
FA75	75° Front frame angle								NC	<input type="checkbox"/>
FA80	80° Front frame angle								NC	<input type="checkbox"/>
FA85	85° Front frame angle								NC	<input type="checkbox"/>
FA90	90° Front frame angle								NC	<input type="checkbox"/>

SEAT TO FOOTREST LENGTH									
Set Length to: ¹		Length must be at least 1 1/4" shorter than front seat-to-floor height							
1 - + or - 1/2 inches									
									

Footrest width / Taper selection									
Seat Width	Straight ¹	1" Taper							
Outside Measurement	2 1/2" Narrower than Seat Width	4 1/2" Narrower than Seat Width							
14"	11.5"	9.5"							
15"	12.5"	10.5"							
16"	13.5"	11.5"							
17"	14.5"	12.5"							
18"	15.5"	13.5"							
19"	16.5"	14.5"							
20"	17.5"	15.5"							

1- May have interference with auto-folding and flip-up footplates

FOOTPLATES					
FP06	One piece adjustable angle flip-up (<i>Aluminum</i>)		WAMJ / SEFND0015	STD	<input type="checkbox"/>
FP07	One piece adjustable angle flip-up (<i>Carbon fiber with rubber inserts</i>)		WAMJ / SEFND0015	\$465	<input type="checkbox"/>
FP28	One piece auto-folding adjustable angle (<i>Aluminum</i>)			\$370	<input type="checkbox"/>
FP29	One piece auto-folding adjustable angle (<i>Carbon fiber with rubber inserts</i>)			\$455	<input type="checkbox"/>
FP02	Newton adjustable angle footplate (<i>Composites - Two piece</i>)			\$150	<input type="checkbox"/>
FP03	Newton adjustable angle (<i>Aluminum - Two piece</i>)			\$170	<input type="checkbox"/>
FP04	Newton adjustable angle footplate (<i>Carbon fiber with rubber inserts - Two piece</i>)			\$390	<input type="checkbox"/>
FOOTPLATE ACCESSORIES					
FP08	Length adjustable heel loop (<i>not available with one piece footplate</i>)			NC	<input type="checkbox"/>
FP09	Calf strap		SEFND0010	\$55	<input type="checkbox"/>
FP30	Bodypoint Aeromesh Padded calf strap			\$135	<input type="checkbox"/>

Backrest					
FIXED HEIGHT, NO PUSH HANDLE OPTIONS					
BC03	Ultralight carbon fiber back cane 9" <input type="checkbox"/> 12" <input type="checkbox"/> 15" <input type="checkbox"/> 18" STD <input type="checkbox"/> 21" <input type="checkbox"/>			NC	<input type="checkbox"/>
BC04	8° bend carbon fiber back cane 13 ½" <input type="checkbox"/> 15" <input type="checkbox"/> 18" STD <input type="checkbox"/>			\$160	<input type="checkbox"/>
HEIGHT ADJUSTABLE WITH PUSH HANDLES					
BC06	Straight carbon fiber back cane 9 - 12" <input type="checkbox"/> 12 - 15" <input type="checkbox"/> 15 - 18" <input type="checkbox"/> 18 - 21" STD <input type="checkbox"/>			NC	<input type="checkbox"/>
BC08	8° bend Carbon fiber back cane 13 ½ - 15" <input type="checkbox"/> 15 - 18" <input type="checkbox"/> 18 - 21" STD <input type="checkbox"/>			\$160	<input type="checkbox"/>
HEIGHT AND ANGLE ADJUSTABLE WITH PUSH HANDLES					
BC09	Straight carbon fiber back cane 12 - 15" <input type="checkbox"/> 15 - 18" <input type="checkbox"/> 18 - 21" STD <input type="checkbox"/>			\$320	<input type="checkbox"/>
BC10	8° bend carbon fiber back cane 13 ½ - 15" <input type="checkbox"/> 15 - 18" <input type="checkbox"/> 18 - 21" STD <input type="checkbox"/>			\$370	<input type="checkbox"/>
	Select back cane angle:	85° ¹ <input type="checkbox"/>	90° <input type="checkbox"/>	95° STD <input type="checkbox"/>	100° <input type="checkbox"/>
		105° <input type="checkbox"/>	110° <input type="checkbox"/>		
Set height to: ² (measured from seat sling to top of back upholstery)					
PUSH HANDLE OPTIONS					
PH01	Push handles			STD	<input type="checkbox"/>
PH05	Fold down push handles ^{3,5}			\$155	<input type="checkbox"/>
PH06	Clamp on height adjustable push handle ^{3,4,5}	9 - 20" STD <input type="checkbox"/>	9-23" <input type="checkbox"/>	\$335	<input type="checkbox"/>
PH02	Omit push handles			NC	<input type="checkbox"/>

1 - Not available with a 8 degree bend cane 2 - If not indicated, default height setting is at the lowest position 3 - 265 pounds weight limit

4 - Not compatible with swing away armrests and 8° bend back canes 5 - Not compatible with stroller handle, stabilizer bar, headrest and attendant lock

BACK UPHOLSTERY					
BH07	Slip-on Active-Mesh back upholstery			NC	<input type="checkbox"/>
BH08	Adjustable tension Active-Mesh back upholstery		WAMD/WAME	\$250	<input type="checkbox"/>
BH99	Omit Back upholstery			STD	<input type="checkbox"/>
	NXT back series	See pricelist			<input type="checkbox"/>
SEAT CUSHION					
SC01	2" Cushion			\$180	<input type="checkbox"/>
SC02	3" Cushion			\$200	<input type="checkbox"/>
SC99	Omit seat cushion			STD	<input type="checkbox"/>
	NXT FIT cushion series	See pricelist			<input type="checkbox"/>

Rear wheels											
ONE ARM DRIVE ¹ Only available with Newton One rear wheels with Aluminum, Plastic coated Handrims											
HR22	One arm drive ^{2,3}	24"	left <input type="checkbox"/>	right <input type="checkbox"/>				WAML	\$1 435	<input type="checkbox"/>	
HR98	Omit handrim on opposite side of the One Arm Drive (OAD)								NC	<input type="checkbox"/>	
REAR WHEELS											
RW01	Mag ⁴	22" <input type="checkbox"/>	24" <input type="checkbox"/>						\$135	<input type="checkbox"/>	
RW02	Newton One - spoke wheel ⁵	22" <input type="checkbox"/>	24" <input type="checkbox"/>						NC	<input type="checkbox"/>	
RW03	Newton Gravity - ultralight wheel	22" <input type="checkbox"/>	24" <input type="checkbox"/>	25" <input type="checkbox"/>	26" <input type="checkbox"/>				\$370	<input type="checkbox"/>	
RW04	Spinergy Spox	22" <input type="checkbox"/>	24" <input type="checkbox"/>	25" <input type="checkbox"/>	26" <input type="checkbox"/>				\$825	<input type="checkbox"/>	
	Spinergy Spox spokes colors ⁶	Blk STD <input type="checkbox"/>	Wht <input type="checkbox"/>	Blue <input type="checkbox"/>	Red <input type="checkbox"/>	Yel <input type="checkbox"/>			NC	<input type="checkbox"/>	
RW05	Spinergy LX	22" <input type="checkbox"/>	24" <input type="checkbox"/>	25" <input type="checkbox"/>	26" <input type="checkbox"/>				\$1 025	<input type="checkbox"/>	
	Spinergy LX spokes colors ⁶	Blk STD <input type="checkbox"/>	Pur <input type="checkbox"/>	Wht <input type="checkbox"/>	Blue <input type="checkbox"/>	Red <input type="checkbox"/>	Yel <input type="checkbox"/>	Pink <input type="checkbox"/>	Grn <input type="checkbox"/>	Org <input type="checkbox"/>	
RW07	Spinergy CLX Carbon Blade ⁵		24" <input type="checkbox"/>	25" <input type="checkbox"/>					\$1 585	<input type="checkbox"/>	
	Spinergy CLX spokes colors ⁶	Blk STD <input type="checkbox"/>	Pur <input type="checkbox"/>	Wht <input type="checkbox"/>	Blue <input type="checkbox"/>	Red <input type="checkbox"/>	Yel <input type="checkbox"/>	Pink <input type="checkbox"/>	Grn <input type="checkbox"/>	Org <input type="checkbox"/>	
TIRES											
		Available									
TI01	Soft Urethane 1 1/4"			22" 24"					NC	<input type="checkbox"/>	
TI02	Soft Urethane knobby 1 3/8"			22", 24", 25", 26"					\$115	<input type="checkbox"/>	
TI04	Soft Urethane - Shox 1"			22", 24", 25", 26"					\$135	<input type="checkbox"/>	
TI05	Pneumatic 1 3/8"			22", 24", 25", 26"					NC	<input type="checkbox"/>	
TI08	Pneumatic with Airless insert 1 3/8" ⁷			22", 24", 26"					\$220	<input type="checkbox"/>	
TI06	Pneumatic HP - 1"			22", 24", 25", 26"					\$115	<input type="checkbox"/>	
TI07	Pneumatic HP - Schwalbe Marathon Plus 1"			24", 25", 26"					\$195	<input type="checkbox"/>	

1 - Offered with handrims on each side of the wheelchair 2 - Only standard handrim position available 3 - Not available with HD option

4 - Not compatible with HP tires ; Only available with aluminum or plastic coated handrim in standard position 5 - Not compatible with Shox tires

6 - Colour spokes require an additional 10 days lead-time 7 - Only available with Mag, Newton One and Newton Gravity rear wheels

Handrims										
HANDRIM										
HR01	Aluminum anodized								STD	<input type="checkbox"/>
HR61	Aluminum black hard anodized ^{1,3}								\$77	<input type="checkbox"/>
HR02	Plastic coated ²							WAMO	\$165	<input type="checkbox"/>
HR03	Q-Grip High friction Neoprene coated ^{2,3,4}							WAMO	\$445	<input type="checkbox"/>
HR07	Newton Air Grip ³	Black <input type="checkbox"/>						WAMO	\$155	<input type="checkbox"/>
HR	Newton Air Grip ³	(08) Sunkissed Orange <input type="checkbox"/>	(09) Burgundy <input type="checkbox"/>	(10) Sapphire Blue <input type="checkbox"/>	(11) Monster Green <input type="checkbox"/>	(12) Charcoal <input type="checkbox"/>	(13) Fuchsia <input type="checkbox"/>	(14) Steel Blue <input type="checkbox"/>	WAMO	\$340
		(15) Ferrari Red <input type="checkbox"/>	(16) Acid Green <input type="checkbox"/>	(17) White <input type="checkbox"/>	(18) Sky Blue <input type="checkbox"/>					<input type="checkbox"/>
HR28	Surge ^{2,3,4}	(1-1/2" Oval handrim w/ Gripton high friction strip)							\$485	<input type="checkbox"/>
HR05	Surge LT ^{2,3,4}	(1-1/8" Oval handrim w/ Gripton high friction strip)							\$515	<input type="checkbox"/>
HR04	Natural Fit ^{2,3,4}								\$320	<input type="checkbox"/>
HR99	Omit handrim								NC	<input type="checkbox"/>

1 - Not available in 26" 2 - Only standard handrim position available 3 - Not available with Mag wheels or OAD

4 - Not available in 20"

Handrims option										
Assembly position for aluminum and Newton AirGrip handrims										
HR29	Standard Handrim position	Full tab							STD	<input type="checkbox"/>
HR30	Narrow Handrim position	Short tab 2 positions							\$26	<input type="checkbox"/>
HR31	Super Narrow Handrim	Short tab 2 positions STD <input type="checkbox"/>	Short tab 1 position <input type="checkbox"/>						\$26	<input type="checkbox"/>
Thumb piece ⁴ selection Natural Fit handrims										
HR23	Standard grip								\$195	<input type="checkbox"/>
HR27	Super grip								\$225	<input type="checkbox"/>
HR099	Omit thumb piece								NC	<input type="checkbox"/>

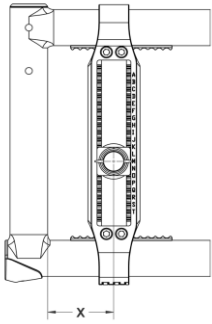
4 - Compatible with Surge, Surge LT handrims

AXLE ¹										
AX01	Quick release axle							WAMU	STD	<input type="checkbox"/>
AX03	Quad release axle							WAMU	\$175	<input type="checkbox"/>

1 - Not required with one arm drive

REAR WHEEL CAMBER					
CM00	0° camber			STD	<input type="checkbox"/>
CM03	3° camber			NC	<input type="checkbox"/>
CM06	6° camber			\$82	<input type="checkbox"/>

CENTER OF GRAVITY



Choose position of rear wheel axle plate:

Measure distance X from front of back post to center of axle receiver.

X =	Most stable								Most responsive				
	1"	1/4"	1/2"	3/4"	2"	1/4"	1/2"	3/4"	3"	1/4"	1/2"	3/4"	4"
	<input type="checkbox"/>	<input type="checkbox"/>	<input type="checkbox"/>	<input type="checkbox"/>	<input type="checkbox"/>	<input type="checkbox"/>	<input type="checkbox"/>	<input type="checkbox"/>	<input type="checkbox"/>	<input type="checkbox"/>	<input type="checkbox"/>	<input type="checkbox"/>	<input type="checkbox"/>

If not indicated, default setting is at 1.5"

Possible conflict between a seat depth under 16" and a center of gravity over 2.5".

Possible conflict between a 26" rear wheel and a center of gravity over 2.5".

If a configuration issue arises due to the choice of the Center Of Gravity (COG) Motion Composites reserves the right to reduce or increase the COG to the closest position.

WHEEL LOCK					
WL08	Newton wheel lock - push to lock			STD	<input type="checkbox"/>
WL02	Pull to lock			NC	<input type="checkbox"/>
WL04	Newton grade aid push to lock (suggested with pneumatic or high pressure tire)			WAMR	\$180 <input type="checkbox"/>
WL13 WL14	6" removable extension handle				\$70 <input type="checkbox"/>
WL05	Scissor Lock				\$180 <input type="checkbox"/>
WL99	Omit wheel locks			NC	<input type="checkbox"/>

Armrests

FLIP BACK ARMREST (Convertible to "T" armrest) ¹		Height Adjustment		Removable function		
AR01	10" Desk Length	8 - 12" <input type="checkbox"/> STD	10 - 14" <input type="checkbox"/>	Locked <input type="checkbox"/>	Unlocked <input type="checkbox"/> STD	\$390 <input type="checkbox"/>
AR02	14" Full Length	8 - 12" <input type="checkbox"/> STD	10 - 14" <input type="checkbox"/>	Locked <input type="checkbox"/>	Unlocked <input type="checkbox"/> STD	\$390 <input type="checkbox"/>
"T" ARMREST ¹		Height Adjustment				
AR03	10" Desk Length	8 - 12" <input type="checkbox"/> STD	10 - 14" <input type="checkbox"/>			\$370 <input type="checkbox"/>
AR04	14" Full Length	8 - 12" <input type="checkbox"/> STD	10 - 14" <input type="checkbox"/>			\$370 <input type="checkbox"/>
SWING AWAY ARMREST ²		Height Adjustment				
AR05	Tubular arm pad	8 - 11"				\$305 <input type="checkbox"/>
AR06	10" Desk length arm pad	8 - 11"				\$305 <input type="checkbox"/>
GEL ARM PAD ³						
AR12	14" Full Length Arm Pad - Gel Ovation				SEAND0030	\$155 <input type="checkbox"/>
AR99	Omit armrest					NC <input type="checkbox"/>

1 - May have a 1/2" adjustment restriction on both limits of the range

2 - Could interfere with some rigid backrests

3 - Not available with swing away and flip back armrest

SIDE GUARDS (not available with Flip Back and "T" Armrest)					
SG01	Plastic side guards (removable)			WAMV	\$230 <input type="checkbox"/>
SG02	Carbon fiber side guards (fixed)			WAMV	\$265 <input type="checkbox"/>
SG03	Carbon fiber side guards (removable)			WAMV	\$305 <input type="checkbox"/>
SG06	Plastic fender side guards (removable) ¹			WAMV	\$330 <input type="checkbox"/>
SG04	Carbon fiber fender side guards (removable)			WAMV	\$495 <input type="checkbox"/>
SG99	Omit side guard			NC	<input type="checkbox"/>

SIDE GUARDS OPTION

SG07	Side guards clip (pair) ²				NC <input type="checkbox"/>
------	--------------------------------------	--	--	--	-----------------------------

1 - Not compatible with 20" and 22" rear wheels

2 - Not available with fixed carbon fiber side guard

POSITIONING BELT											
SB01	Velcro adjustable	Standard 35" <input type="checkbox"/>	Long 60" <input type="checkbox"/>						\$47	<input type="checkbox"/>	
SB02	Auto buckle	Standard 35" <input type="checkbox"/>	Long 60" <input type="checkbox"/>						\$57	<input type="checkbox"/>	
SB07	Hardware attachment for 2 point seatbelt (1 pair)									NC	<input type="checkbox"/>
SB03	Additional hardware for 2 extra attachment points (needed for the 4 point seat belt) (1 pair)									\$14	<input type="checkbox"/>
SB04	BodyPoint Hip Belt - 2 point not padded	Medium 56" <input type="checkbox"/>	Long 61" <input type="checkbox"/>						\$85	<input type="checkbox"/>	
SB05	BodyPoint Hip Belt - 2 point padded	Small 51" <input type="checkbox"/>	Medium 56" <input type="checkbox"/>	Long 61" <input type="checkbox"/>			SERND0030		\$175	<input type="checkbox"/>	
SB06	BodyPoint Hip Belt - 4 point padded	Small 51" <input type="checkbox"/>	Medium 56" <input type="checkbox"/>	Long 61" <input type="checkbox"/>			SERND0020		\$200	<input type="checkbox"/>	
SB08	BodyPoint EVOFLEX® Positioning Belt Rehab latch and Band Clamps		Medium 18" <input type="checkbox"/>	Long 24" <input type="checkbox"/>					\$335	<input type="checkbox"/>	
SB99	Omit positioning belt									STD	<input type="checkbox"/>

HEADREST ¹											
AC01	Profiled Headrest	Small (3.5"X6") <input type="checkbox"/>	Medium (4.5"X7") <input type="checkbox"/>	Large (5.5"X8") <input type="checkbox"/>					\$210	<input type="checkbox"/>	
AC28	Headrest mounting hardware with stabiliser bar ¹									\$350	<input type="checkbox"/>

1 - Only available with push handles

ACCESSORIES													
AC03	Anti tippers									\$120	<input type="checkbox"/>		
AC29	Swing-away anti-tippers ¹	Left <input type="checkbox"/>	Right <input type="checkbox"/>						\$175	<input type="checkbox"/>			
AC27	Tip assist ²									\$62	<input type="checkbox"/>		
AC05	WC-19 Transit Tie Down w/Q'straint belt ³	Short belt 20-41" <input type="checkbox"/>	Long belt 20-46" <input type="checkbox"/>						\$355	<input type="checkbox"/>			
AC08	Spoke guards ⁴	Available: 22", 24", 26"					WAMP		\$150	<input type="checkbox"/>			
AC10	Seat pouch									\$98	<input type="checkbox"/>		
AC26	BodyPoint Mobility Bag									\$140	<input type="checkbox"/>		
AC23	Newton Backpack									\$125	<input type="checkbox"/>		
AC30	Newton sanitizing multi-purpose pouch									\$72	<input type="checkbox"/>		
AC12	Velcro Closing Strap									\$52	<input type="checkbox"/>		
AC13	Tool kit									\$52	<input type="checkbox"/>		
AC16	Motion Composites Polo Shirt	W/S <input type="checkbox"/>	W/M <input type="checkbox"/>	W/L <input type="checkbox"/>	M/S <input type="checkbox"/>	M/M <input type="checkbox"/>	M/L <input type="checkbox"/>	M/XL <input type="checkbox"/>	M/XXL <input type="checkbox"/>	M/XXXL <input type="checkbox"/>	M/XXXXL <input type="checkbox"/>	\$35	<input type="checkbox"/>

1 - Must select the pair (left and right) with HD option; Only available with rear seat to floor height of 13 1/2" and 19 3/4"

2 - Cannot be combined with Anti Tippers

3 - May interfere with swing away armrest and Clamp on height adjustable push handle; Not available with HD option

4 - Not available with Mag wheels and Spinergy


CARBON FIBER FINISH WITH DECALS												
FC	Highlight color:	(10) Ferrari Red <input type="checkbox"/>	(11) White <input type="checkbox"/>	(12) Black <input type="checkbox"/>	(13) Sunkissed Orange <input type="checkbox"/>	(14) Sky Blue <input type="checkbox"/>	(15) Fuchsia <input type="checkbox"/>	(16) Acid Green <input type="checkbox"/>			NC	<input type="checkbox"/>

Frame length chart


Frame length	Seat Depth						
	14"	15"	16"	17"	18"	19"	20"
STD	N/A	15"	16"	17"	18"	19"	20"
1	15"	16"	17"	18"	19"	20"	N/A
2	16"	17"	18"	19"	20"	N/A	N/A
-1	N/A	N/A	15"	16"	17"	18"	19"
-2	N/A	N/A	N/A	15"	16"	17"	18"

Notes :

BioFit™ CUSHION

	MODEL #	Fits Width	Depth	\$	✓	MODEL #	Fits Width	Depth	\$	✓
	NXCABF1616	15"-16"	16"	595		NXCABF2016	19" - 20"	16"	595	
	NXCABF1618	15"-16"	18"		NXCABF2018	19" - 20"	18"			
	NXCABF1620	15"-16"	20"		NXCABF2020	19" - 20"	20"			
	NXCABF1816	17"-18"	16"		625		NXCABF2216	21" - 22"	16"	
	NXCABF1818	17"-18"	18"			NXCABF2218	21" - 22"	18"		
	NXCABF1820	17"-18"	20"			NXCABF2220	21" - 22"	20"		


THORACIC SHAPE



**Optima™
THORACIC BACK SUPPORT**

CARBON FIBRE SHELL (WEIGHT SAVINGS - 1lb)

Model # Carbon Fibre	Model # Aluminum	Fits Width	Height	\$ Carbon	✓	\$ Aluminum	✓
	NOACB1307	13"-15"	7"				
	NOACB1309	13"-15"	9"				
	NOACB1313	13"-15"	13"				
	NOACB1316	13"-15"	16"				
	NOACB1407	14"-16"	7"				
NOCFACB1409	NOACB1409	14"-16"	9"	1095			
NOCFACB1413	NOACB1413	14"-16"	13"	1095			
NOCFACB1416	NOACB1416	14"-16"	16"	1095			
	NOACB1507	15"-17"	7"				
NOCFACB1509	NOACB1509	15"-17"	9"	1095			
NOCFACB1513	NOACB1513	15"-17"	13"	1095			
NOCFACB1516	NOACB1516	15"-17"	16"	1095			
	NOACB1607	16"-18"	7"				
NOCFACB1609	NOACB1609	16"-18"	9"	1095			
NOCFACB1613	NOACB1613	16"-18"	13"	1095			
NOCFACB1616	NOACB1616	16"-18"	16"	1095			
	NOACB1707	17"-19"	7"				
NOCFACB1709	NOACB1709	17"-19"	9"	1095			
NOCFACB1713	NOACB1713	17"-19"	13"	1095			
NOCFACB1716	NOACB1716	17"-19"	16"	1095			
	NOACB1807	18"-20"	7"				
NOCFACB1809	NOACB1809	18"-20"	9"	1095			
NOCFACB1813	NOACB1813	18"-20"	13"	1095			
NOCFACB1816	NOACB1816	18"-20"	16"	1095			
	NOACB2007	20"-22"	7"				
NOCFACB2009	NOACB2009	20"-22"	9"	1095			
NOCFACB2013	NOACB2013	20"-22"	13"	1095			
NOCFACB2016	NOACB2016	20"-22"	16"	1095			



**Optima™ DEEP
THORACIC BACK SUPPORT**

CARBON FIBRE SHELL (WEIGHT SAVINGS - 1lb)

Model # Carbon Fibre	Model # Aluminum	Fits Width	Height	\$ Carbon	✓	\$ Aluminum	✓
	NOPCB1307	13"-15"	7"				
	NOPCB1309	13"-15"	9"				
	NOPCB1313	13"-15"	13"				
	NOPCB1316	13"-15"	16"				
	NOPCB1407	14"-16"	7"				
NOCFPCB1409	NOPCB1409	14"-16"	9"	1195			
NOCFPCB1413	NOPCB1413	14"-16"	13"	1195			
NOCFPCB1416	NOPCB1416	14"-16"	16"	1195			
	NOPCB1507	15"-17"	7"				
NOCFPCB1509	NOPCB1509	15"-17"	9"	1195			
NOCFPCB1513	NOPCB1513	15"-17"	13"	1195			
NOCFPCB1516	NOPCB1516	15"-17"	16"	1195			
	NOPCB1607	16"-18"	7"				
NOCFPCB1609	NOPCB1609	16"-18"	9"	1195			
NOCFPCB1613	NOPCB1613	16"-18"	13"	1195			
NOCFPCB1616	NOPCB1616	16"-18"	16"	1195			
	NOPCB1707	17"-19"	7"				
NOCFPCB1709	NOPCB1709	17"-19"	9"	1195			
NOCFPCB1713	NOPCB1713	17"-19"	13"	1195			
NOCFPCB1716	NOPCB1716	17"-19"	16"	1195			
	NOPCB1807	18"-20"	7"				
NOCFPCB1809	NOPCB1809	18"-20"	9"	1195			
NOCFPCB1813	NOPCB1813	18"-20"	13"	1195			
NOCFPCB1816	NOPCB1816	18"-20"	16"	1195			
	NOPCB2007	20"-22"	7"				
NOCFPCB2009	NOPCB2009	20"-22"	9"	1195			
NOCFPCB2013	NOPCB2013	20"-22"	13"	1195			
NOCFPCB2016	NOPCB2016	20"-22"	16"	1195			

BACK SUPPORT HARDWARE OPTIONS

All backs come STANDARD with QuickRelease Mounting Hardware. The following are fixed hardware options available at no charge when ordered with a back support.

Model #	DESCRIPTION	WEIGHT OF HARDWARE ONLY	✓
	QuickFit Quick Release Hardware System	STANDARD (2 LBS)	STANDARD
NIB-1642	Micro Mount 2 point fixed hardware. Back width needs to match chair width	Weight savings of 1.4 lb over STANDARD	
NIB-1207	2 point fixed hardware. Width expandable to fit 3 sizes of chair	Weight savings of 1.0 lb over STANDARD	

ALL PRICES QUOTED IN CDN. PRICES ARE SUBJECT TO CHANGE WITHOUT NOTICE.

For additional NXT models, sizes and hardware not shown, please refer to the complete NXT Seating Order Form at www.motioncomposites.com