



P.O. number:*	Date:	Ship to:*
Company Name:*	Phone:*	Name:
Ordered by:*		Address:
Clinician/ATP/RTS:		City: State/Prov:
Email:		Postal/Zip Code:
Marked for:	Phone:	* Required

VEMA083 <i>English Manual (STD)</i>	VEMA084 <i>German Manual</i>	VEMA085 <i>Italian Manual</i>	VEMA086 <i>Dutch Manual</i>	VEMA087 <i>Spanish Manual</i>	VEMA088 <i>French Manual</i>	Taxes not included
--	---------------------------------	----------------------------------	--------------------------------	----------------------------------	---------------------------------	--------------------

MODEL							USD		
1	VEWC20	Ultralight VELOCE Wheelchair (120 kg - 265 lb weight limit)						\$4 795	<input type="checkbox"/>
2	VEWC09	HD Heavy Duty package (159 kg - 350 lb weight capacity)						\$500	<input type="checkbox"/>
3	VEWC10	E-Motion adaptor Kit (2 adaptors)						\$72	<input type="checkbox"/>
SEAT WIDTH ³ - cm (inches)									
4	VESW	Seat width:	35,6 (14") <input type="checkbox"/>	38,1 (15") <input type="checkbox"/>	40,6 (16") <input type="checkbox"/>	43,2 (17") <input type="checkbox"/>	45,7 (18") ² <input type="checkbox"/>	48,3 (19") ² <input type="checkbox"/>	NC <input type="checkbox"/>
5	VESW	Seat width:	50,8 (20") ² <input type="checkbox"/>					\$495	<input type="checkbox"/>
SEAT DEPTH - cm (inches)									
6	VESD	Seat depth:	35,6 (14") ¹ <input type="checkbox"/>	38,1 (15") ¹ <input type="checkbox"/>	40,6 (16") <input type="checkbox"/>	43,2 (17") <input type="checkbox"/>	45,7 (18") <input type="checkbox"/>	48,3 (19") <input type="checkbox"/>	NC <input type="checkbox"/>
7	VESD	Seat depth:	50,8 (20") <input type="checkbox"/>					\$475	<input type="checkbox"/>

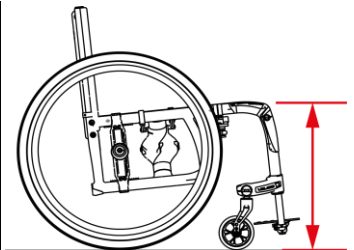
1 - Depth achieved with shorter seat sling. 2 - Available with HD option [3. Width calculator](#)

FRAME LENGTH									
8	VESP01	Standard frame length configuration ¹						STD	<input type="checkbox"/>
9	VESP02	Frame length 2.5 cm (1") longer than standard configuration						NC	<input type="checkbox"/>
10	VESP03	Frame length 5 cm (2") longer than standard configuration						NC	<input type="checkbox"/>
11	VESP04	Frame length 2.5 cm (1") shorter than standard configuration						NC	<input type="checkbox"/>
12	VESP05	Frame length 5 cm (2") shorter than standard configuration						NC	<input type="checkbox"/>

1- Distance of 10.16cm (4.37") from seat end to bend

FRONT Seat-to-floor height

Caster sizes	Height available +- 1/4"	Specify desired height: _____ (inches)
7,62cm (3") Caster	35,6cm to 53,3cm (14" to 21")	
10,16cm (4") Caster	36,8cm to 53,3cm (14.5" to 21")	
12,7cm (5") Caster	39,4cm to 53,3cm (15.5" to 21")	
15,25cm (6") Caster	41,9cm to 53,3cm (16.5" to 21") (N/A with 90° front frame)	



CASTERS									
13	VECA01	Composite wheel w/ PU tire (1" width)	3" <input type="checkbox"/>	4" <input type="checkbox"/>	5" <input type="checkbox"/>	6" <input type="checkbox"/>		NC	<input type="checkbox"/>
14	VECA10	Pneumatic casters 6" x 1 1/4" (15,24x3,17cm)						\$160	<input type="checkbox"/>
15	VECA14	Newton UltraCaster Soft-Roll Composite	4" x 1 1/2" (10,16x3,81cm)					\$80	<input type="checkbox"/>
16	VECA15		5" x 1 1/2" (12,7x3,81cm)					\$80	<input type="checkbox"/>
17	VECA16		6" x 1 1/2" (15,24x3,81cm)					\$80	<input type="checkbox"/>
18	VECA17		4" x 1 1/2" (10,16x3,81cm)					\$175	<input type="checkbox"/>
19	VECA18	Newton UltraCaster Soft-Roll Aluminum	5" x 1 1/2" (12,7x3,81cm)					\$185	<input type="checkbox"/>
20	VECA19		6" x 1 1/2" (15,24x3,81cm)					\$195	<input type="checkbox"/>
CASTER OPTIONS									
21	VECA13	Carbon fiber Frog Legs suspension forks (Not available with caster pin locks)						\$475	<input type="checkbox"/>

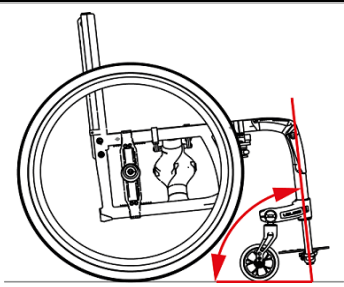
Veloce - REAR Seat-to-floor Height

WHEEL SIZES	Height available	
53,34cm (22") wheel <input type="checkbox"/>	34.3cm / 13.5" to 46.4cm / 18.25"	Specify desired height: <hr style="width: 100%;"/>
60,96cm (24") wheel <input type="checkbox"/>	36.8cm / 14.5" to 48.9cm / 19.25"	
63,5cm (25") wheel <input type="checkbox"/>	38.1cm / 15" to 50.2cm / 19.75"	
66,04cm (26") wheel <input type="checkbox"/>	39.4cm / 15.5" to 51.4cm / 20.25"	

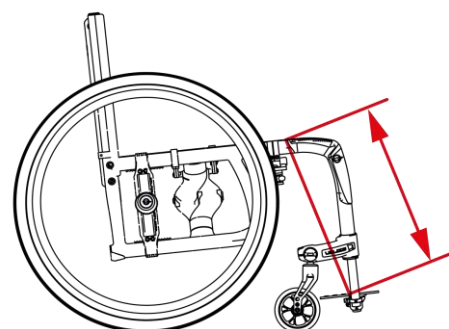
Configuration used: 2.5 cm (1") seat slope with a center of gravity at 5cm (2")

Note: Tire size, center of gravity setting and seat slope may result in a variation of +/- 1,25 cm (½") of selected Seat to Floor height"

FRONT FRAME ANGLE

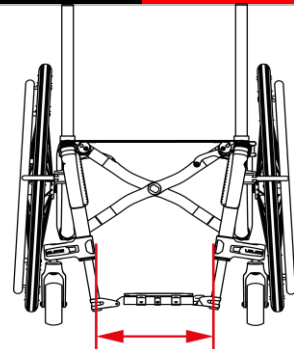
22	VEFA70	70° Front Frame Angle				NC	<input type="checkbox"/>
23	VEFA75	75° Front frame angle		NC	<input type="checkbox"/>		
24	VEFA80	80° Front Frame Angle		NC	<input type="checkbox"/>		
25	VEFA85	85° Front frame angle		NC	<input type="checkbox"/>		
26	VEFA90	90° Front Frame Angle		NC	<input type="checkbox"/>		

SEAT TO FOOTREST HEIGHT

Set Length to¹:	<i>Length must be at least 4,5 cm (1 ¾") shorter than front seat-to-floor height</i>		
1 - +/- 1.27 cm (1/2")			

Footrest width / Taper selection

Seat Width	Straight		1" Taper			
Outside Measurement	6,4 cm Narrower than Seat Width		11,4 cm Narrower than Seat Width			
35,56	14"	29,21	11,5"	24,13		
38,1	15"	31,75	12,5"	26,67	10,5"	
40,64	16"	34,29	13,5"	29,21	11,5"	
43,18	17"	36,83	14,5"	31,75	12,5"	
45,72	18"	39,37	15,5"	34,29	13,5"	
48,26	19"	41,91	16,5"	36,83	14,5"	
50,8	20"	44,45	17,5"	39,37	15,5"	



FOOTPLATES						
27	VEFP06	One piece adjustable angle flip-up (Aluminum)			NC	<input type="checkbox"/>
28	VEFP07	One piece adjustable angle flip-up (Carbon fiber with rubber inserts)			\$435	<input type="checkbox"/>
29	VEFP28	One piece auto-folding adjustable angle (Aluminum)			\$288	<input type="checkbox"/>
30	VEFP29	One piece auto-folding adjustable angle (Carbon fiber with rubber inserts)			\$352	<input type="checkbox"/>
31	VEFP02	Newton adjustable angle footplate (Composites - Two piece)			\$210	<input type="checkbox"/>
32	VEFP03	Newton adjustable angle (Aluminum - Two piece)			\$230	<input type="checkbox"/>
33	VEFP04	Newton adjustable angle footplate (Carbon fiber with rubber inserts - Two piece)			\$415	<input type="checkbox"/>
FOOTPLATE ACCESSORIES						
34	VEFP08	Length adjustable heel loop (not available with one piece footplate)			\$40	<input type="checkbox"/>
35	VEFP09	Calf strap			\$35	<input type="checkbox"/>
36	VEFP30	Bodypoint Aeromesh Padded calf strap			\$115	<input type="checkbox"/>

Back canes fixed height without push handle

FIXED ANGLE BACK						
37	VEBC03	Ultralight fixed height carbon fiber back cane ¹ 12 (9") <input type="checkbox"/> 22 (12") <input type="checkbox"/> 38 (15") <input type="checkbox"/> 45,7 (18") STD <input type="checkbox"/> 53,3 (21") <input type="checkbox"/>			NC	<input type="checkbox"/>
38	VEBC04	8° bend fixed height carbon fiber back cane ¹ 34,3 (13 ½) <input type="checkbox"/> 38,1 (15") <input type="checkbox"/> 45,7 (18") STD <input type="checkbox"/>			\$50	<input type="checkbox"/>

1 - Not compatible with push handles

Back canes, height adjustable, with option

FIXED ANGLE BACK						
39	VEBC06	Straight carbon fiber back cane 22 - 30,4 (9-12") <input type="checkbox"/> 30,4 - 38 (12-15") <input type="checkbox"/> 38 - 45,7 (15-18") <input type="checkbox"/> 45,7 - 53,3 (18-21") STD <input type="checkbox"/>			NC	<input type="checkbox"/>
40	VEBC08	8° bend Carbon fiber back cane 34,3 - 38 (13 ½-15") <input type="checkbox"/> 38,1 - 45,7 (15-18") <input type="checkbox"/> 45,7 - 53,3 (18-21") STD <input type="checkbox"/>			\$50	<input type="checkbox"/>
ADJUSTABLE ANGLE BACK						
41	VEBC09	Angle adjustable Straight carbon fiber back cane 30,4 - 38 (12-15") <input type="checkbox"/> 38,1 - 45,7 (15-18") <input type="checkbox"/> 45,7 - 53,3 (18-21") STD <input type="checkbox"/>			\$200	<input type="checkbox"/>
42	VEBC10	Angle adjustable 8° bend carbon fiber back cane 34,3 - 38 (13 ½-15") <input type="checkbox"/> 38,1 - 45,7 (15-18") <input type="checkbox"/> 45,7 - 53,3 (18-21") STD <input type="checkbox"/>			\$250	<input type="checkbox"/>
43		Select back cane angle: 85° ¹ <input type="checkbox"/> 90° <input type="checkbox"/> 95° STD <input type="checkbox"/> 100° <input type="checkbox"/> 105° <input type="checkbox"/> 110° <input type="checkbox"/>				

Set height to: ² (measured from seat sling to top of back upholstery)

PUSH HANDLE OPTION						
44	VEPH01	Push handles			NC	<input type="checkbox"/>
45	VEPH05	Fold down push handles ^{3,5}			\$120	<input type="checkbox"/>
46	VEPH06	Clamp on height adjustable push handle ^{3,4,5} 22,9 -50,8 cm (9-20") STD <input type="checkbox"/> 22,9 - 58.4 cm (9-23") <input type="checkbox"/>			\$300	<input type="checkbox"/>
47	VEPH02	Without push handles			NC	<input type="checkbox"/>

1- Not available with a 8 degree bend cane 2 - If not indicated, default height setting is at the lowest position 3 - 120 kg/265 pounds weight limit

4 - Not compatible with swing away armrests, 8° bend back canes

5 - Not compatible with stroller handle, stabilizer bar, headrest and attendant lock

BACK UPHOLSTERY						
48	VEBH07	Slip-on Active-Mesh back upholstery			NC	<input type="checkbox"/>
49	VEBH08	Adjustable tension Active-Mesh back upholstery			<i>product improved</i>	\$165 <input type="checkbox"/>
50	VEBH99	Omit Back upholstery			NC	<input type="checkbox"/>

SEAT CUSHION						
51	VESC01	5,1 cm (2") Cushion			\$165	<input type="checkbox"/>
52	VESC02	7,6 cm (3") Cushion			\$185	<input type="checkbox"/>
53	VESC99	Omit seat cushion			STD	<input type="checkbox"/>

ONE ARM DRIVE ¹		Only available with Newton One rear wheels with Aluminum, Plastic coated Handrims						
54	VEHR22	One arm drive ^{2,3}	24"	left <input type="checkbox"/>	right <input type="checkbox"/>		\$1 395	<input type="checkbox"/>
55	VEHR98	Omit handrim on opposite side of the One Arm Drive (OAD)					NC	<input type="checkbox"/>

1- Offered with handrims on each side of the wheelchair

2- Only standard handrim position available

3- Not available with HD option

REAR WHEELS													
56	VERW01	Mag ¹	22" <input type="checkbox"/>	24" <input type="checkbox"/>				\$50	<input type="checkbox"/>				
57	VERW02	Newton One - spoke wheel ²	22" <input type="checkbox"/>	24" <input type="checkbox"/>				NC	<input type="checkbox"/>				
58	VERW03	Newton Gravity - ultralight wheel	22" <input type="checkbox"/>	24" <input type="checkbox"/>	25" <input type="checkbox"/>	26" <input type="checkbox"/>		\$300	<input type="checkbox"/>				
59	VERW04	Spinergy Spox	22" <input type="checkbox"/>	24" <input type="checkbox"/>	25" <input type="checkbox"/>	26" <input type="checkbox"/>		\$720	<input type="checkbox"/>				
60		Spinergy Spox spokes colors ³	Blk STD <input type="checkbox"/>	Wht <input type="checkbox"/>	Blue <input type="checkbox"/>	Red <input type="checkbox"/>	Yel <input type="checkbox"/>	NC	<input type="checkbox"/>				
61	VERW05	Spinergy LX	22" <input type="checkbox"/>	24" <input type="checkbox"/>	25" <input type="checkbox"/>	26" <input type="checkbox"/>		\$995	<input type="checkbox"/>				
62		Spinergy LX spokes colors ³	Blk STD <input type="checkbox"/>	Pur <input type="checkbox"/>	Wht <input type="checkbox"/>	Blue <input type="checkbox"/>	Red <input type="checkbox"/>	Yel <input type="checkbox"/>	Pink <input type="checkbox"/>	Grn <input type="checkbox"/>	Org <input type="checkbox"/>	NC	<input type="checkbox"/>
63	VERW07	Spinergy CLX Carbon Blade		24" <input type="checkbox"/>	25" <input type="checkbox"/>			\$1 480	<input type="checkbox"/>				
64		Spinergy CLX spokes colors ³	Blk STD <input type="checkbox"/>	Pur <input type="checkbox"/>	Wht <input type="checkbox"/>	Blue <input type="checkbox"/>	Red <input type="checkbox"/>	Yel <input type="checkbox"/>	Pink <input type="checkbox"/>	Grn <input type="checkbox"/>	Org <input type="checkbox"/>	NC	<input type="checkbox"/>

1 - Not compatible with HP tires ; Only available with aluminum or plastic coated handrim in standard position

2 - Not compatible with Shox tires

3 - Colour spokes require an additional 10 days lead-time

TIRES		Available				
65	VETI01	Soft Urethane 3,17cm (1 1/4")	22" 24"		NC	<input type="checkbox"/>
66	VETI02	Soft Urethane knobby 3,49cm (1 3/8")	22", 24", 25", 26"		\$95	<input type="checkbox"/>
67	VETI04	Soft Urethane - Shox 2,54cm (1")	22", 24", 25", 26"		\$115	<input type="checkbox"/>
68	VETI05	Pneumatic 3,49cm (1 3/8")	22", 24", 25", 26"		NC	<input type="checkbox"/>
69	VETI08	Pneumatic with Airless insert 3,49cm (1 3/8")	22", 24"		\$80	<input type="checkbox"/>
70	VETI06	Pneumatic HP - 2,54cm (1")	22", 24", 25", 26"		\$95	<input type="checkbox"/>
71	VETI07	Pneumatic HP - Schwalbe Marathon Plus 2,54cm (1")	24", 25", 26"		\$125	<input type="checkbox"/>

HANDRIM															
72	VEHR01	Aluminum anodized						STD	<input type="checkbox"/>						
73	VEHR07	Newton Air Grip ¹	Black <input type="checkbox"/>					\$95	<input type="checkbox"/>						
74	VEHR	Newton Air Grip ¹	(08) Sunkissed Orange <input type="checkbox"/>	(09) Burgundy <input type="checkbox"/>	(10) Sapphire Blue <input type="checkbox"/>	(11) Monster Green <input type="checkbox"/>	(12) Charcoal <input type="checkbox"/>	(13) Fuchsia <input type="checkbox"/>	(14) Steel Blue <input type="checkbox"/>	(15) Ferrari Red <input type="checkbox"/>	(16) Acid Green <input type="checkbox"/>	(17) White <input type="checkbox"/>	(18) Sky Blue <input type="checkbox"/>	\$240	<input type="checkbox"/>
		Assembly position for aluminum and Newton AirGrip handrims													
75	VEHR29	Standard Handrim position	Full tab					STD	<input type="checkbox"/>						
76	VEHR30	Narrow Handrim position	Short tab 2 positions					\$25	<input type="checkbox"/>						
77	VEHR31	Super Narrow Handrim	Short tab 2 positions STD <input type="checkbox"/>	Short tab 1 position <input type="checkbox"/>				\$25	<input type="checkbox"/>						

HANDRIM									
78	VEHR02	Plastic coated ³						\$95	<input type="checkbox"/>
79	VEHR03	Q-Grip High friction Neoprene coated ^{1,2,3}						\$350	<input type="checkbox"/>
80	VEHR28	Surge ^{1,2,3}	(1-1/2" Oval handrim w/ Gripton high friction strip)					\$375	<input type="checkbox"/>
81	VEHR05	Surge LT ^{1,2,3}	(1-1/8" Oval handrim w/ Gripton high friction strip)					\$405	<input type="checkbox"/>
82	VEHR04	Natural Fit Standard Grip ^{1,2,3}	(1-1/2" Oval handrim w/standard thumb piece)					\$310	<input type="checkbox"/>
83	VEHR99	Omit handrim						NC	<input type="checkbox"/>
		Thumb piece⁴ selection for Natural Fit handrims							
84	VEHR23	Standard grip						\$85	<input type="checkbox"/>
85	VEHR27	Super grip						\$140	<input type="checkbox"/>
86	VEHR099	Omit thumb piece						NC	<input type="checkbox"/>

1 - Not available with Mag wheels or OAD

2 - Not available in 20" (50,8cm)

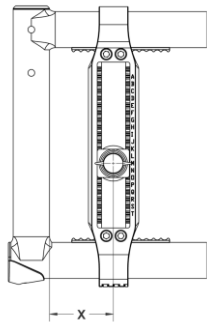
3- Only standard handrim position available

4- Compatible with Surge, Surge LT handrims

AXLE									
87	VEAX01	Quick release axle						STD	<input type="checkbox"/>
88	VEAX03	Quad release axle						\$125	<input type="checkbox"/>

REAR WHEEL CAMBER									
89	VECM00	0° camber						STD	<input type="checkbox"/>
90	VECM03	3° camber						NC	<input type="checkbox"/>
91	VECM06	6° camber						\$150	<input type="checkbox"/>

CENTER OF GRAVITY



Choose position of rear wheel axle plate:

Measure distance X from front of back post to center of axle receiver.

Most stable										Most responsive				
2,5	3,2	3,8	4,4	5,1	5,7	6,3	7	7,6	8,3	8,9	9,5	10,2		
1"	1/4"	1/2"	3/4"	2"	1/4"	1/2"	3/4"	3"	1/4"	1/2"	3/4"	4"		
<input type="checkbox"/>	<input type="checkbox"/>	<input type="checkbox"/>	<input type="checkbox"/>	<input type="checkbox"/>	<input type="checkbox"/>	<input type="checkbox"/>	<input type="checkbox"/>	<input type="checkbox"/>	<input type="checkbox"/>	<input type="checkbox"/>	<input type="checkbox"/>	<input type="checkbox"/>		

If not indicated, default setting is at 3,8 cm/1.5"

Possible conflict between a seat depth under 40.6 cm (16") and a center of gravity over 6,3 cm (2.5").

Possible conflict between a 26" rear wheel and a center of gravity over 6,3 cm (2.5").

If a configuration issue arises due to the choice of the Center Of Gravity (COG) Motion Composites reserves the right to reduce or increase the COG to the closest position.

WHEEL LOCK											
92	VEWL08	Newton Wheel lock - push to lock								STD	<input type="checkbox"/>
93	VEWL02	Pull to lock								NC	<input type="checkbox"/>
94	VEWL04	Newton grade aid push to lock (suggested with pneumatic or high pressure tire)								\$150	<input type="checkbox"/>
95	VEWL13 VEWL14	6" removable extension handle								\$75	<input type="checkbox"/>
96	VEWL05	Scissor Lock								\$140	<input type="checkbox"/>
97	VEWL99	Omit wheel locks								NC	<input type="checkbox"/>

FLIP BACK ARMREST ¹			Height Adjustment		Removable function					
98	VEAR01	10" Desk Length (25,4 cm)	20,3 - 30,5 (8 - 12") <input type="checkbox"/>	STD	25,4 - 35,6 (10 - 14") <input type="checkbox"/>	Locked <input type="checkbox"/>	Unlocked <input type="checkbox"/>	STD	\$350	<input type="checkbox"/>
99	VEAR02	14" Full Length (35,6 cm)	20,3 - 30,5 (8 - 12") <input type="checkbox"/>	STD	25,4 - 35,6 (10 - 14") <input type="checkbox"/>	Locked <input type="checkbox"/>	Unlocked <input type="checkbox"/>	STD	\$350	<input type="checkbox"/>
"T" ARMREST ¹			Height Adjustment							
100	VEAR03	10" Desk Length (25,4 cm)	20,3 - 30,5 (8 - 12") <input type="checkbox"/>	STD	25,4 - 35,6 (10 - 14") <input type="checkbox"/>				\$325	<input type="checkbox"/>
101	VEAR04	14" Full Length (35,6 cm)	20,3 - 30,5 (8 - 12") <input type="checkbox"/>	STD	25,4 - 35,6 (10 - 14") <input type="checkbox"/>				\$325	<input type="checkbox"/>

1 - May have a 1/2" adjustment restriction on both limits of the range

GEL ARM PAD											
102	VEAR12	36cm (14") Full Length Arm Pad - Gel Ovation								\$150	<input type="checkbox"/>
SWING AWAY ARMREST ²			Height Adjustment								
103	VEAR05	Tubular arm pad	20,3 - 27,9 (8 - 11")						\$225	<input type="checkbox"/>	
104	VEAR06	10" Desk length arm pad	20,3 - 27,9 (8 - 11")						\$225	<input type="checkbox"/>	
105	VEAR99	Omit armrest								NC	<input type="checkbox"/>

2 - Could interfere with some rigid back rests

SIDE GUARDS (not available with Flip Back and "T" Armrest)											
106	VESG01	Plastic side guards (removable)								\$195	<input type="checkbox"/>
107	VESG02	Carbon fiber side guards (fixed) ¹								\$250	<input type="checkbox"/>
108	VESG03	Carbon fiber side guards (removable)								\$288	<input type="checkbox"/>
109	VESG06	Plastic fender side guards (removable) ²								\$270	<input type="checkbox"/>
110	VESG04	Carbon fiber fender side guards (removable)								\$495	<input type="checkbox"/>
111	VESG99	Omit side guard								NC	<input type="checkbox"/>

1 - Not available with back upholstery

2 - Not compatible with 20" and 22" rear wheels

POSITIONING BELT											
112	VESB01	Velcro adjustable	Standard 88,9 cm (35") <input type="checkbox"/>		Long 152,40 cm (60") <input type="checkbox"/>				\$45	<input type="checkbox"/>	
113	VESB02	Auto buckle	Standard 88,9 cm (35") <input type="checkbox"/>		Long 152,40 cm (60") <input type="checkbox"/>				\$85	<input type="checkbox"/>	
114	VESB07	Hardware attachment for 2 point seatbelt (1 pair)								NC	<input type="checkbox"/>
115	VESB03	Additional attachment hardware for 4 point seatbelt								\$15	<input type="checkbox"/>
116	VESB04	BodyPoint Hip Belt - 2 point not padded	M (142,24 cm/56") <input type="checkbox"/>		L (154,94 cm/61") <input type="checkbox"/>				\$80	<input type="checkbox"/>	
117	VESB05	BodyPoint Hip Belt - 2 point padded	S (129,54 cm/51") <input type="checkbox"/>	M (142,24 cm/56") <input type="checkbox"/>	L (154,94 cm/61") <input type="checkbox"/>				\$170	<input type="checkbox"/>	
118	VESB06	BodyPoint Hip Belt - 4 point padded	S (129,54 cm/51") <input type="checkbox"/>	M (142,24 cm/56") <input type="checkbox"/>	L (154,94 cm/61") <input type="checkbox"/>				\$190	<input type="checkbox"/>	
119	VESB08	BodyPoint EVOFLEX® Positioning Belt Rehab latch and Band Clamps	M (73,66 cm/18") <input type="checkbox"/>		L (93,98 cm/24") <input type="checkbox"/>				\$285	<input type="checkbox"/>	
120	VESB99	Omit positioning belt								STD	<input type="checkbox"/>

HEADREST ¹											
121	VEAC01	Profiled Headrest	S 8.8 X 15.2 cm (3.5"X6") <input type="checkbox"/>	M 11.4 X 17.8 cm (4.5"X7") <input type="checkbox"/>	L 14 X 2.3 cm (5.5"X8") <input type="checkbox"/>				\$180	<input type="checkbox"/>	
122	VEAC28	Headrest mounting hardware with tension bar								\$295	<input type="checkbox"/>

1 - Only available with push handles

ACCESSORIES														
123	VEAC03	Anti tippers							\$140	<input type="checkbox"/>				
124	VEAC27	Tip assist ¹							\$60	<input type="checkbox"/>				
125	VEAC05	WC-19 Transit Tie Down w/Q'straint belt ²	Short 50-104 cm (20-41") <input type="checkbox"/>	Long 50-116 cm (20-46") <input type="checkbox"/>					\$320	<input type="checkbox"/>				
126	VEAC06	Cane carrier	Left <input type="checkbox"/>	Right <input type="checkbox"/>					\$120	<input type="checkbox"/>				
127	VEAC08	Spoke guards ³	Available: 22", 24", 26"							\$115	<input type="checkbox"/>			
128	VEAC10	Seat pouch							\$75	<input type="checkbox"/>				
129	VEAC26	BodyPoint Mobility Bag							\$125	<input type="checkbox"/>				
130	VEAC23	Newton Backpack							\$120	<input type="checkbox"/>				
131	VEAC12	Velcro Closing Strap							\$50	<input type="checkbox"/>				
132	VEAC13	Tool kit							\$45	<input type="checkbox"/>				
133	VEAC16	Motion Composites Polo Shirt	W/S <input type="checkbox"/>	W/M <input type="checkbox"/>	W/L <input type="checkbox"/>	M/S <input type="checkbox"/>	M/M <input type="checkbox"/>	M/L <input type="checkbox"/>	M/XL <input type="checkbox"/>	M/XXL <input type="checkbox"/>	M/XXXL <input type="checkbox"/>	M/XXXXL <input type="checkbox"/>	\$32	<input type="checkbox"/>

1 - Cannot be combined with Anti Tippers 2 - May interfere with swing away armrest and Clamp on height adjustable push handle; Not available with HD option

3 - Not available with Mag wheels and Spinergy

CARBON FIBER FINISH WITH DECALS										
134	VEFC	Highlight color:	(10) Ferrari Red <input type="checkbox"/>	(11) White <input type="checkbox"/>	(12) Black <input type="checkbox"/>	(13) Sunkissed Orange <input type="checkbox"/>			NC	<input type="checkbox"/>
			(14) Sky Blue <input type="checkbox"/>	(15) Fuchsia <input type="checkbox"/>	(16) Acid Green <input type="checkbox"/>					
TOTAL										

Notes :